

DOCUMENT MADE AVAILABLE UNDER THE PATENT COOPERATION TREATY (PCT)

International application number:	PCT/US2014/068401
International filing date:	03 December 2014 (03.12.2014)
Document type:	Certified copy of priority document
Document details:	Country/Office: US
	Number: 61/912,455
	Filing date: 05 December 2013 (05.12.2013)
Date of receipt at the International Bureau:	20 December 2014 (20.12.2014)

Remark: Priority document submitted or transmitted to the International Bureau in compliance with Rule 17.1(a),(b) or (b-bis)

673088

THE UNITED STATES OF AMERICA

TO ALL TO WHOM THESE PRESENTS SHALL COME:

UNITED STATES DEPARTMENT OF COMMERCE

United States Patent and Trademark Office

December 19, 2014

THIS IS TO CERTIFY THAT ANNEXED HERETO IS A TRUE COPY FROM THE RECORDS OF THE UNITED STATES PATENT AND TRADEMARK OFFICE OF THOSE PAPERS OF THE BELOW IDENTIFIED PATENT APPLICATION THAT MET THE REQUIREMENTS TO BE GRANTED A FILING DATE.

APPLICATION NUMBER: *61/912,455*

FILING DATE: *December 05, 2013*

RELATED PCT APPLICATION NUMBER: *PCT/US14/68401*

THE COUNTRY CODE AND NUMBER OF YOUR PRIORITY APPLICATION, TO BE USED FOR FILING ABROAD UNDER THE PARIS CONVENTION, IS *US61/912,455*



Certified by

David J. Kappas

Under Secretary of Commerce
for Intellectual Property
and Director of the United States
Patent and Trademark Office

Motorized Lateral Sliding Roller Board

Provisional Application for Utility
Patent

By: Aaron Benjamin Aders

Background

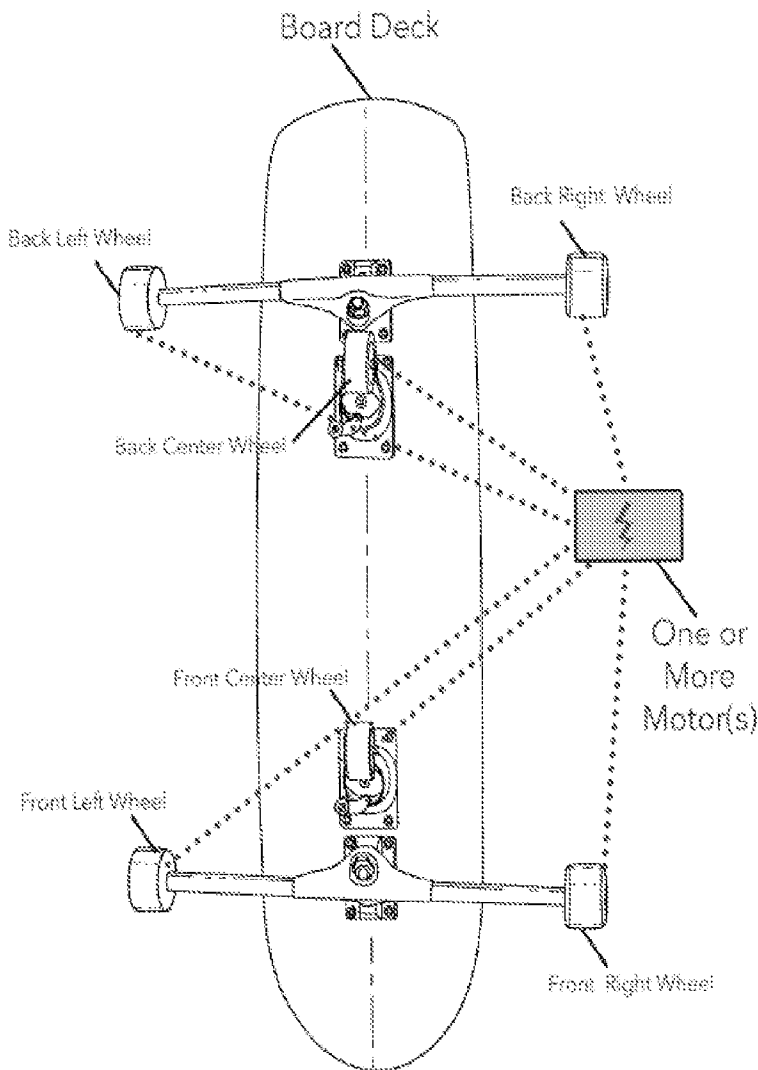
The motorized lateral sliding board will bring the capabilities of riding a board in a lateral sliding motion similar to a snowboard across flat ground or even up inclines or hills without requiring human foot pushing. The sustained motion across flat ground or up inclines or hills is made possible by connecting one or more gas or electric motors to one or more of the wheels on the board.

Current existing lateral sliding boards only have the ability to move and slide effectively as designed down an incline or hill, and are not able to move and slide effectively as designed across flat ground or up inclines or hills. The motorized lateral sliding board will bring the freedom to move and slide laterally in a way similar to riding a snowboard while under power from one or more gas or electric motors across flat ground or up an incline or hill. With the motorized lateral sliding board, anyone will be able to ride in a lateral sliding snowboard-like fashion on flat or inclined surfaces in a way that is not possible with any current existing lateral sliding board. These surfaces include, but are not limited to, city streets, off-road trails, indoor surfaces, country roads, and other outdoor surfaces.

Figure 1 on the next page shows a diagram of the six-wheeled motorized lateral sliding board. One or more gas or electric motors are attached one or more of the six wheels on the board. One or more gas or electric motors will provide the power required to move the motorized lateral sliding board across flat terrain or even up hills.

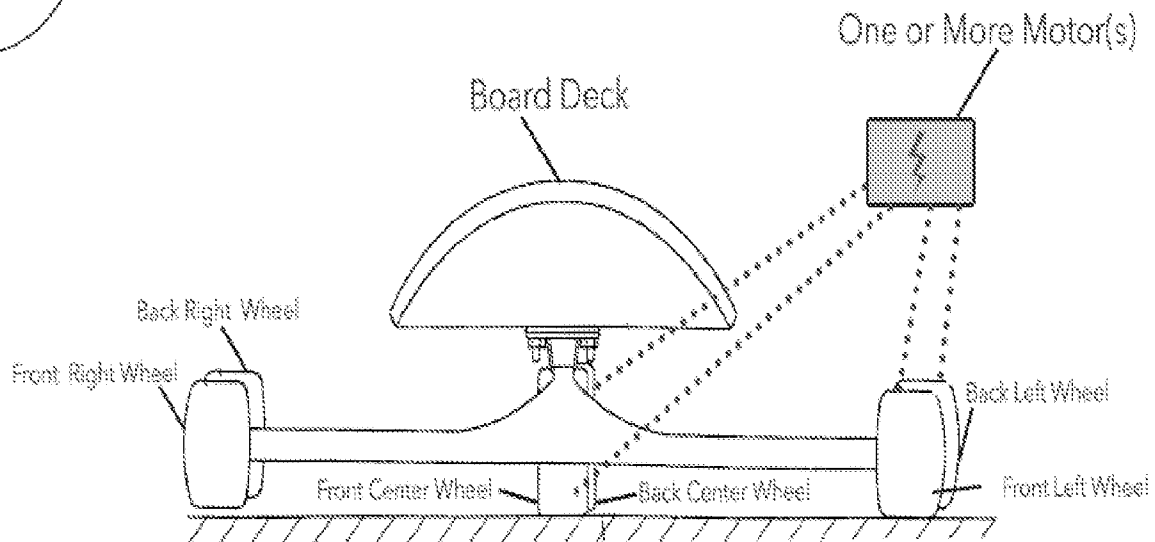
Figure 1: Motorized Lateral Sliding Roller Board

Bottom View



One more more electric or gas motors will be used to apply power to one or more of the six wheels on the board.

Front View



Electronic Acknowledgement Receipt

EFS ID:	17582861
Application Number:	61912455
International Application Number:	
Confirmation Number:	5035
Title of Invention:	Powered Sliding Roller Board
First Named Inventor/Applicant Name:	Aaron Aders
Correspondence Address:	Aaron Aders - 1538 Bellefontaine St - Indianapolis IN 46202 US 3173089191 aaders@gmail.com
Filer:	Aaron Aders
Filer Authorized By:	
Attorney Docket Number:	
Receipt Date:	05-DEC-2013
Filing Date:	
Time Stamp:	19:38:50
Application Type:	Provisional

Payment information:

Submitted with Payment	yes
Payment Type	Credit Card
Payment was successfully received in RAM	\$130

RAM confirmation Number	6875
Deposit Account	
Authorized User	

File Listing:

Document Number	Document Description	File Name	File Size(Bytes)/ Message Digest	Multi Part /.zip	Pages (if appl.)
1		motorized-lateral-sliding-board.pdf	145112 3828b039a3dfc1d8ab0433047a9ac91f0704f1e	yes	3

Multipart Description/PDF files in .zip description

Document Description	Start	End
Specification	1	2
Drawings-only black and white line drawings	3	3

Warnings:

Information:

2	Fee Worksheet (SB06)	fee-info.pdf	28454 3e7f2142d28183ce1bae2ffc1432dfb17dd63503	no	2
---	----------------------	--------------	---	----	---

Warnings:

Information:

Total Files Size (in bytes): 173566

This Acknowledgement Receipt evidences receipt on the noted date by the USPTO of the indicated documents, characterized by the applicant, and including page counts, where applicable. It serves as evidence of receipt similar to a Post Card, as described in MPEP 503.

New Applications Under 35 U.S.C. 111

If a new application is being filed and the application includes the necessary components for a filing date (see 37 CFR 1.53(b)-(d) and MPEP 506), a Filing Receipt (37 CFR 1.54) will be issued in due course and the date shown on this Acknowledgement Receipt will establish the filing date of the application.

National Stage of an International Application under 35 U.S.C. 371

If a timely submission to enter the national stage of an international application is compliant with the conditions of 35 U.S.C. 371 and other applicable requirements a Form PCT/DO/EO/903 indicating acceptance of the application as a national stage submission under 35 U.S.C. 371 will be issued in addition to the Filing Receipt, in due course.

New International Application Filed with the USPTO as a Receiving Office

If a new international application is being filed and the international application includes the necessary components for an international filing date (see PCT Article 11 and MPEP 1810), a Notification of the International Application Number and of the International Filing Date (Form PCT/RO/105) will be issued in due course, subject to prescriptions concerning national security, and the date shown on this Acknowledgement Receipt will establish the international filing date of the application.