

(19) World Intellectual Property Organization  
International Bureau



(43) International Publication Date  
17 August 2006 (17.08.2006)

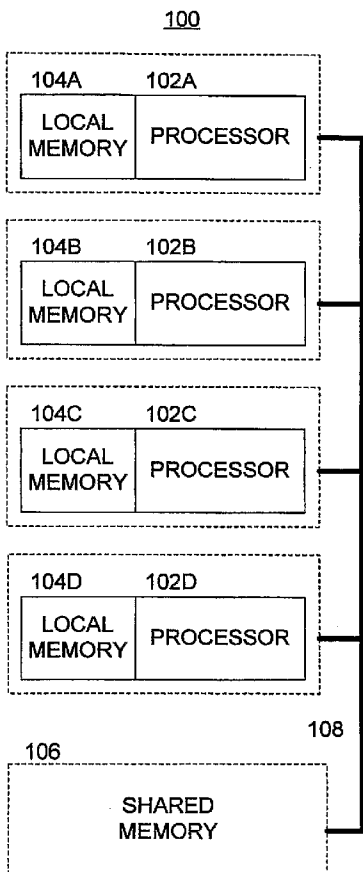
PCT

(10) International Publication Number  
**WO 2006/085639 A3**

- (51) International Patent Classification:  
*G06F 9/45* (2006.01)      *G06F 9/46* (2006.01)
- (21) International Application Number:  
PCT/JP2006/302422
- (22) International Filing Date: 7 February 2006 (07.02.2006)
- (25) Filing Language: English
- (26) Publication Language: English
- (30) Priority Data:  
11/053,512      8 February 2005 (08.02.2005)      US
- (71) Applicant (for all designated States except US): **SONY COMPUTER ENTERTAINMENT INC.** [JP/JP];  
2-6-21, Minami-Aoyama, Minato-ku, Tokyo, 1070062 (JP).
- (72) Inventor; and
- (75) Inventor/Applicant (for US only): **SUZUOKI,**
- (54) Title: **METHODS AND APPARATUS FOR INSTRUCTION SET EMULATION**
- (55) Masakazu [JP/JP]; c/o SONY COMPUTER ENTERTAINMENT INC., 2-6-21, Minami-Aoyama, Minato-ku, Tokyo, 1070062 (JP).
- (74) Agent: **SUZUKI, Seigoh;** Pacific City Shiba Bldg., 6th Floor, 29-10, Shiba 2-chome, Minato-ku, Tokyo, 105-0014 (JP).
- (81) Designated States (unless otherwise indicated, for every kind of national protection available): AE, AG, AL, AM, AT, AU, AZ, BA, BB, BG, BR, BW, BY, BZ, CA, CH, CN, CO, CR, CU, CZ, DE, DK, DM, DZ, EC, EE, EG, ES, FI, GB, GD, GE, GH, GM, HR, HU, ID, IL, IN, IS, JP, KE, KG, KM, KN, KP, KR, KZ, LC, LK, LR, LS, LT, LU, LV, LY, MA, MD, MG, MK, MN, MW, MX, MZ, NA, NG, NI, NO, NZ, OM, PG, PH, PL, PT, RO, RU, SC, SD, SE, SG, SK, SL, SM, SY, TJ, TM, TN, TR, TT, TZ, UA, UG, US, UZ, VC, VN, YU, ZA, ZM, ZW.
- (84) Designated States (unless otherwise indicated, for every kind of regional protection available): ARIPO (BW, GH, GM, KE, LS, MW, MZ, NA, SD, SL, SZ, TZ, UG, ZM,

[Continued on next page]

WO 2006/085639 A3



(57) Abstract: Methods and apparatus provide for translating a software program page by page from a first instruction set architecture (ISA) into a second ISA using one or more of a set of processors of a multi-processor system; and executing the translated software program using a dedicated other processor of the multi-processor system.



ZW), Eurasian (AM, AZ, BY, KG, KZ, MD, RU, TJ, TM),  
European (AT, BE, BG, CH, CY, CZ, DE, DK, EE, ES, FI,  
FR, GB, GR, HU, IE, IS, IT, LT, LU, LV, MC, NL, PL, PT,  
RO, SE, SI, SK, TR), OAPI (BF, BJ, CF, CG, CI, CM, GA,  
GN, GQ, GW, ML, MR, NE, SN, TD, TG).

**Published:**

— with international search report

**(88) Date of publication of the international search report:**  
8 February 2007

*For two-letter codes and other abbreviations, refer to the "Guidance Notes on Codes and Abbreviations" appearing at the beginning of each regular issue of the PCT Gazette.*

# INTERNATIONAL SEARCH REPORT

International application No  
PCT/JP2006/302422

**A. CLASSIFICATION OF SUBJECT MATTER**  
INV. G06F9/45 G06F9/46

According to International Patent Classification (IPC) or to both national classification and IPC

**B. FIELDS SEARCHED**

Minimum documentation searched (classification system followed by classification symbols)  
G06F

Documentation searched other than minimum documentation to the extent that such documents are included in the fields searched

Electronic data base consulted during the international search (name of data base and, where practical, search terms used)

EPO-Internal

**C. DOCUMENTS CONSIDERED TO BE RELEVANT**

Category*	Citation of document, with indication, where appropriate, of the relevant passages	Relevant to claim No.
X	<p>GROSS THOMAS ; ZOBEL ANGELIKA ; ZOLG MARKUS: "Parallel compilation for a parallel machine" PROCEEDINGS OF THE SIGPLAN '89 CONFERENCE ON PROGRAMMING LANGUAGE DESIGN AND IMPLEMENTATION, [Online] 21 June 1989 (1989-06-21), pages 91-100, XP002394370 Portland, OR, USA ISSN: 0362-1340 Retrieved from the Internet: URL: <a href="http://delivery.acm.org/10.1145/80000/74826/p91-gross.pdf?key1=74826&amp;key2=2803215511&amp;coll=ACM&amp;d1=ACM&amp;CFID=15151515&amp;CFTOKEN=6184618">http://delivery.acm.org/10.1145/80000/74826/p91-gross.pdf?key1=74826&amp;key2=2803215511&amp;coll=ACM&amp;d1=ACM&amp;CFID=15151515&amp;CFTOKEN=6184618</a> [retrieved on 2006-08-08] abstract; figures 1,2</p> <p style="text-align: center;">----- -/--</p>	1-27

Further documents are listed in the continuation of Box C.

See patent family annex.

\* Special categories of cited documents :

- \*A\* document defining the general state of the art which is not considered to be of particular relevance
- \*E\* earlier document but published on or after the international filing date
- \*L\* document which may throw doubts on priority claim(s) or which is cited to establish the publication date of another citation or other special reason (as specified)
- \*O\* document referring to an oral disclosure, use, exhibition or other means
- \*P\* document published prior to the international filing date but later than the priority date claimed

- \*T\* later document published after the international filing date or priority date and not in conflict with the application but cited to understand the principle or theory underlying the invention
- \*X\* document of particular relevance; the claimed invention cannot be considered novel or cannot be considered to involve an inventive step when the document is taken alone
- \*Y\* document of particular relevance; the claimed invention cannot be considered to involve an inventive step when the document is combined with one or more other such documents, such combination being obvious to a person skilled in the art.
- \*Z\* document member of the same patent family

Date of the actual completion of the international search

11 August 2006

Date of mailing of the international search report

30/08/2006

Name and mailing address of the ISA/

European Patent Office, P.B. 5818 Patentlaan 2  
NL - 2280 HV Rijswijk  
Tel. (+31-70) 340-2040, Tx. 31 651 epo nl,  
Fax: (+31-70) 340-3016

Authorized officer

Müller, T

## INTERNATIONAL SEARCH REPORT

International application No  
PCT/JP2006/302422

C(Continuation). DOCUMENTS CONSIDERED TO BE RELEVANT

Category*	Citation of document, with indication, where appropriate, of the relevant passages	Relevant to claim No.
A	CAIN H W ET AL: "A dynamic binary translation approach to architectural simulation" COMPUTER ARCHITECTURE NEWS, ACM, NEW YORK, NY, US, vol. 29, no. 1, March 2001 (2001-03), pages 27-36, XP002237506 ISSN: 0163-5964 abstract	1-27
A	----- COGSWELL B H ET AL: "Timing insensitive binary-to-binary migration across multiprocessor architectures" PARALLEL AND DISTRIBUTED REAL-TIME SYSTEMS, 1995. PROCEEDINGS OF THE THIRD WORKSHOP ON SANTA BARBARA, CA, USA 25 APRIL 1995, LOS ALAMITOS, CA, USA, IEEE COMPUT. SOC, 1995, pages 193-194, XP010148075 ISBN: 0-8186-7099-1 abstract -----	1-27