

FIG. 1

Single polarization (bpd version)

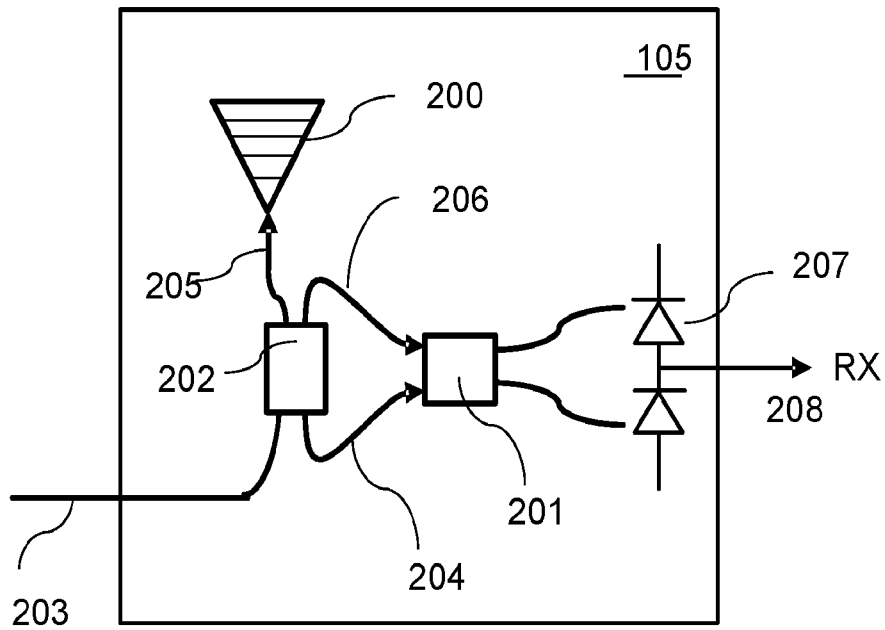


FIG. 2a

Single polarization (hybrid version)

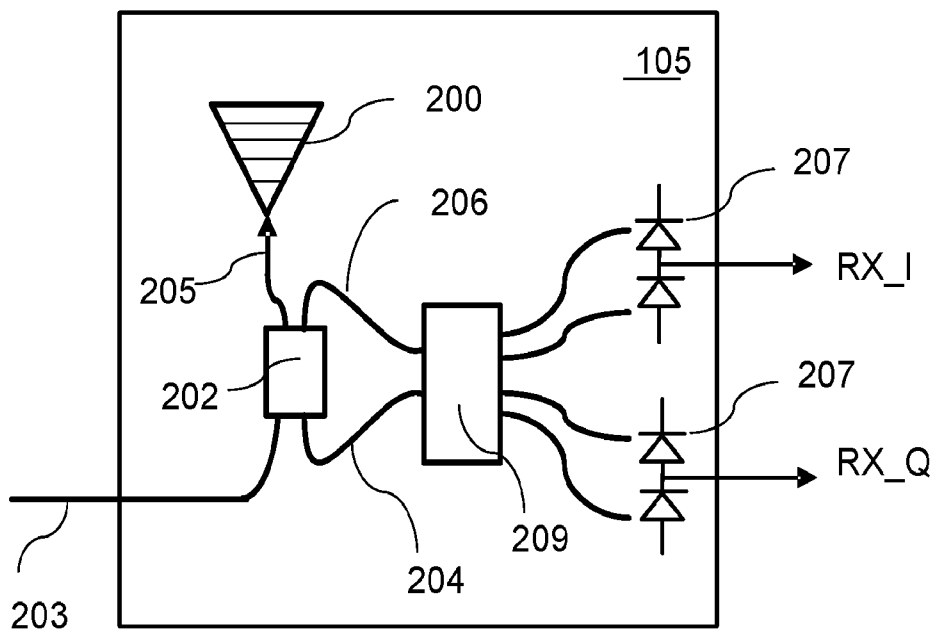


FIG. 2b

Polarization splitting (bpd version)

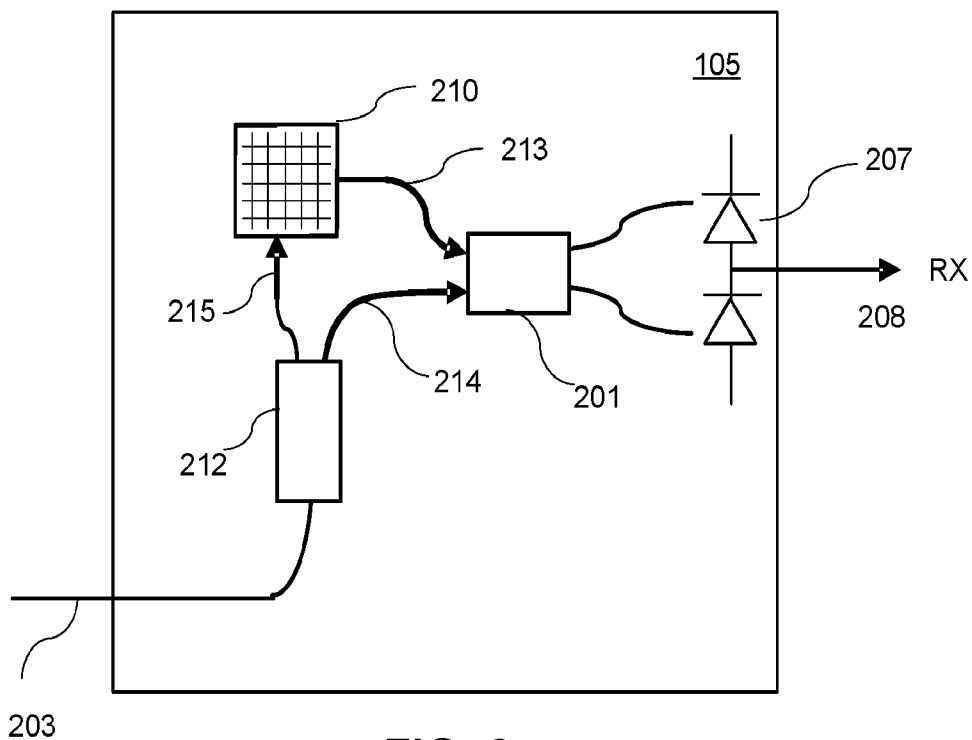


FIG. 2c

Polarization splitting (hybrid version)

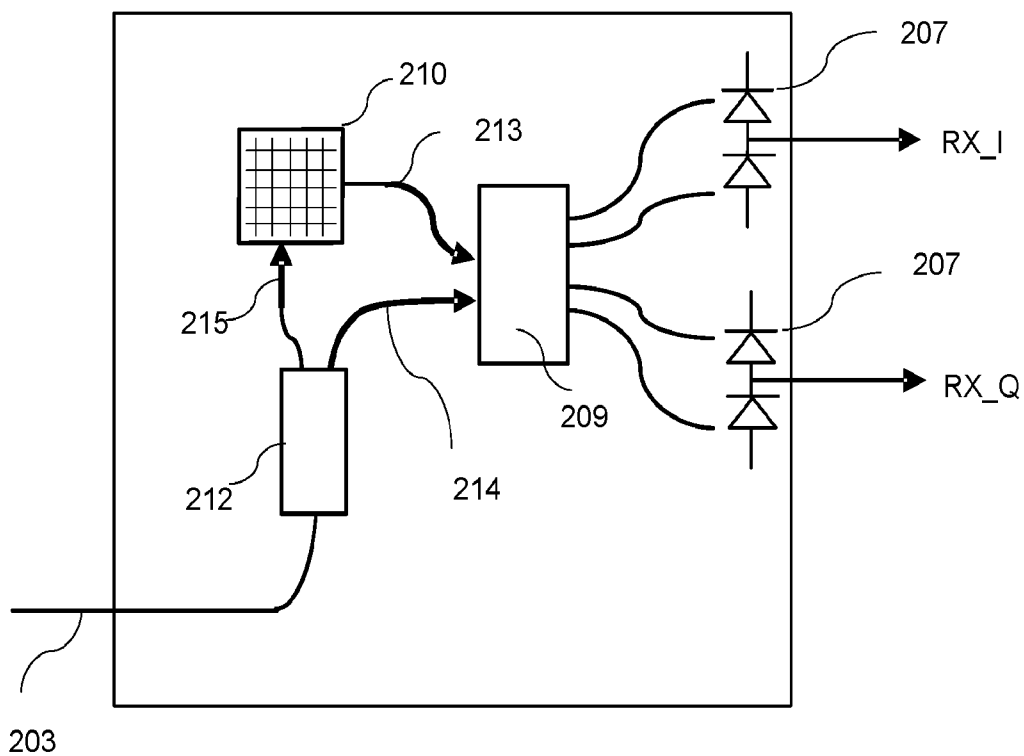


FIG. 2d

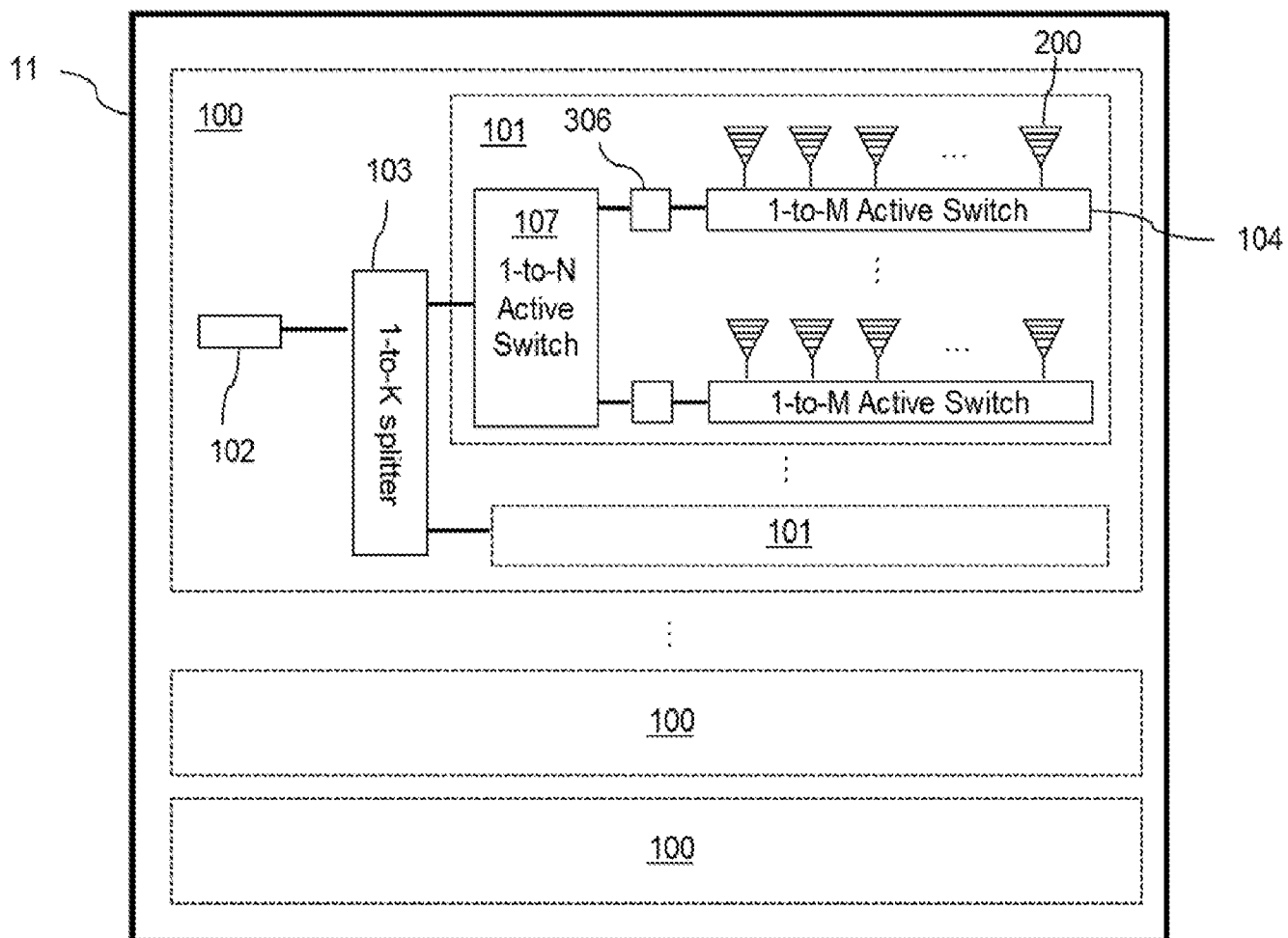


FIG. 3a

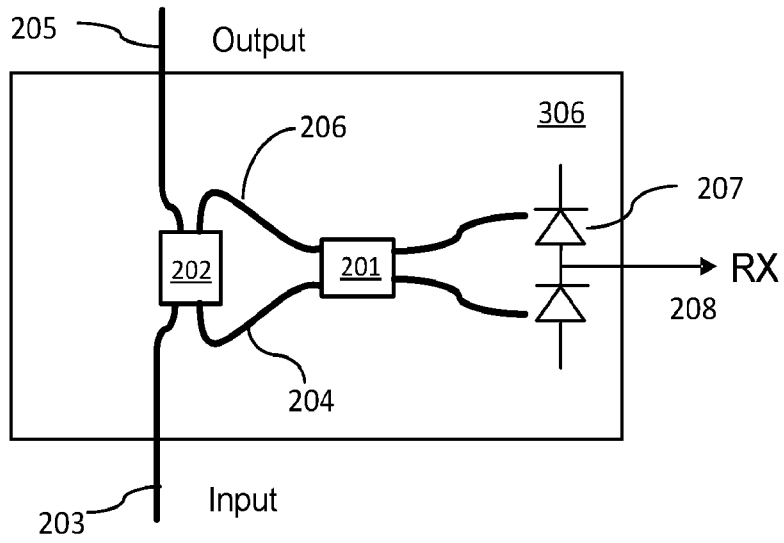


FIG. 3b

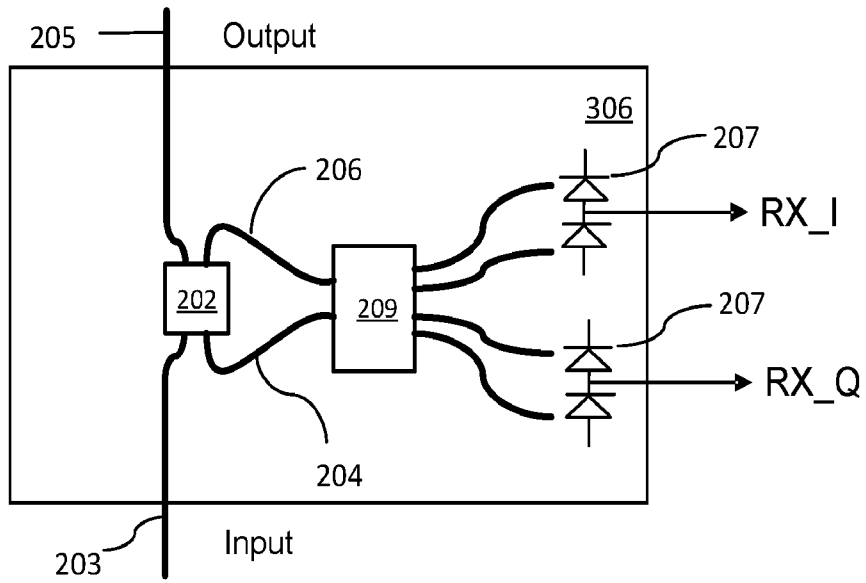


FIG. 3c

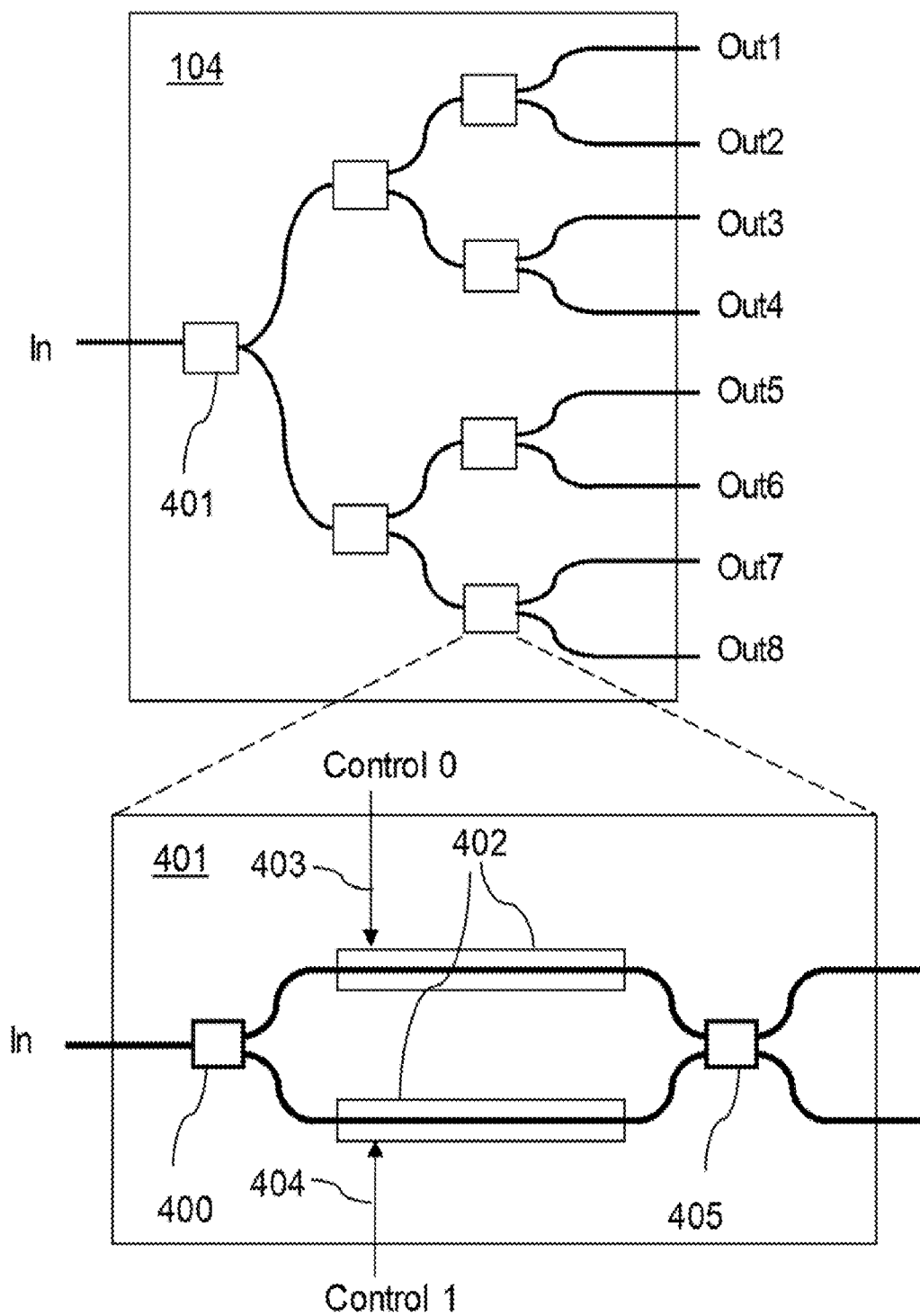


FIG. 4a

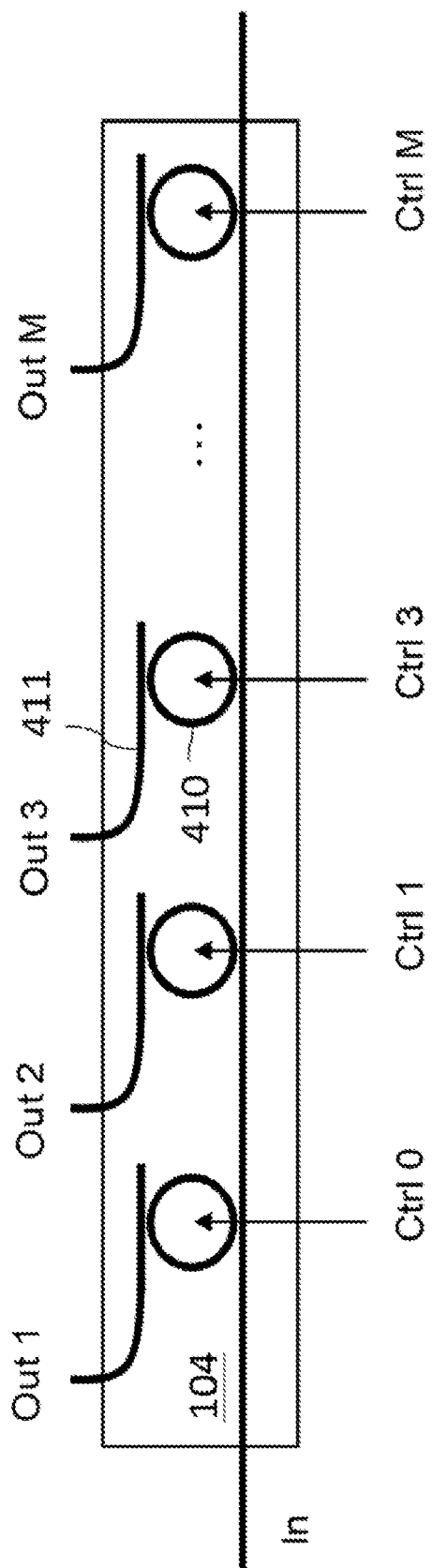


FIG. 4b

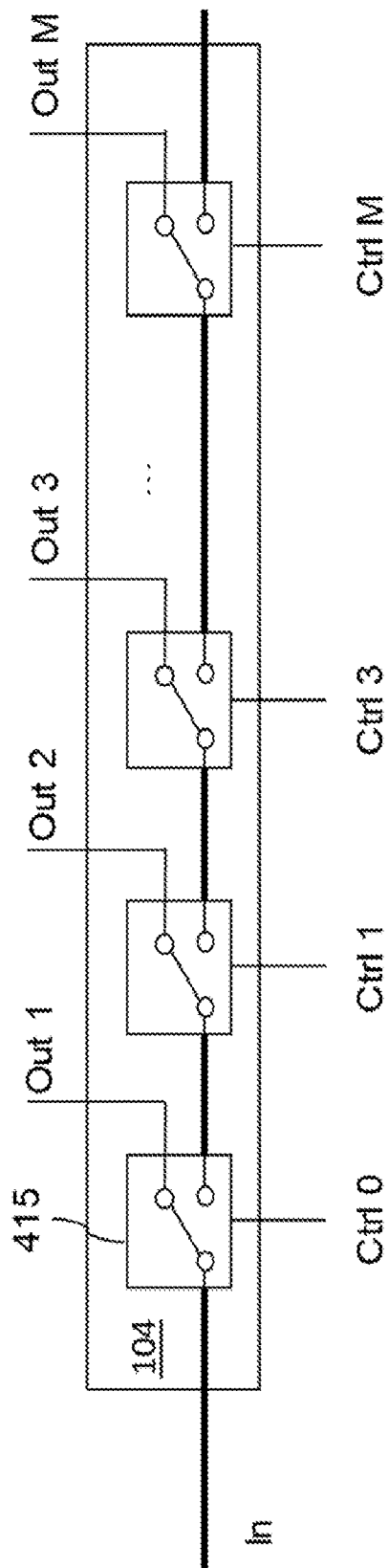


FIG. 4c

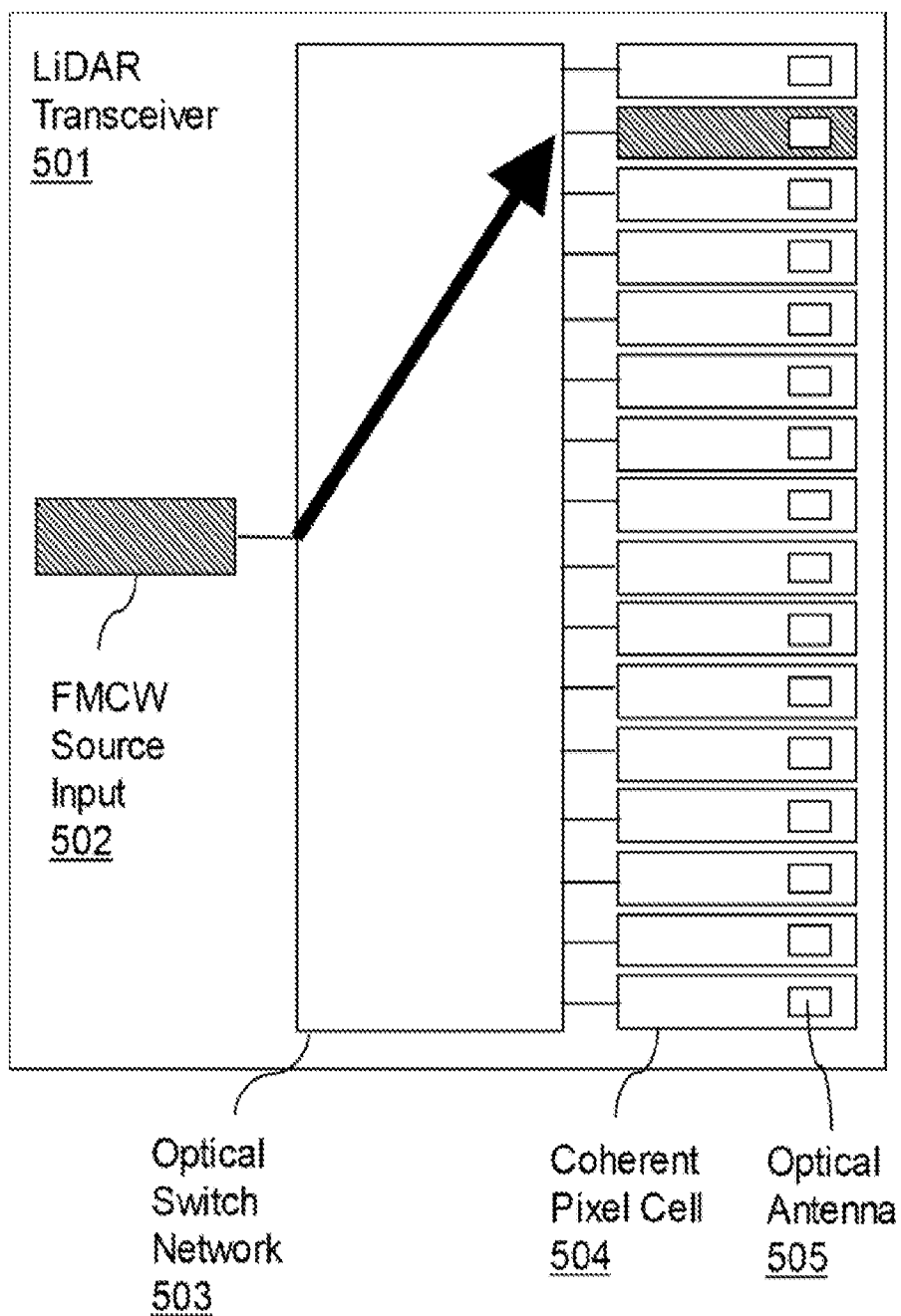
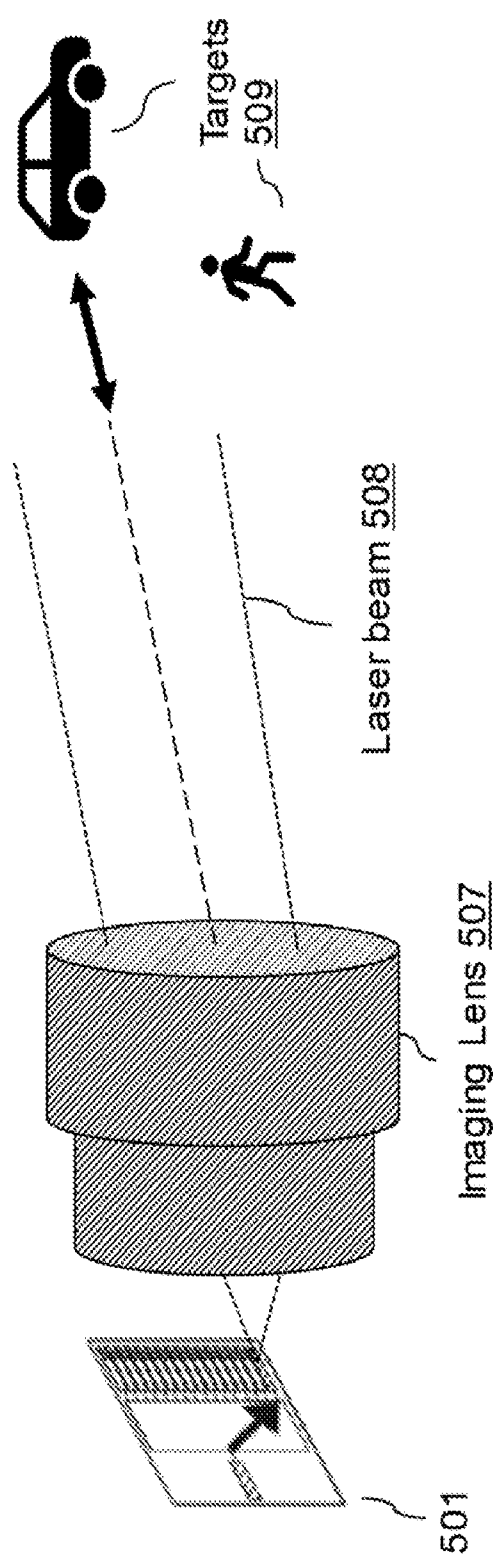
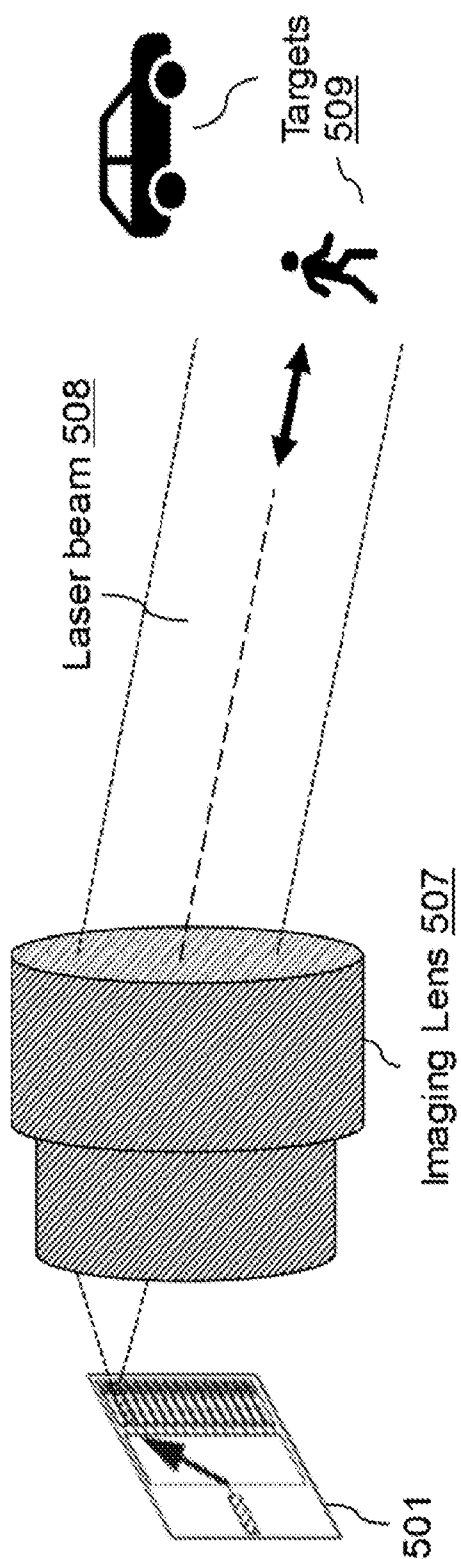


FIG. 5a





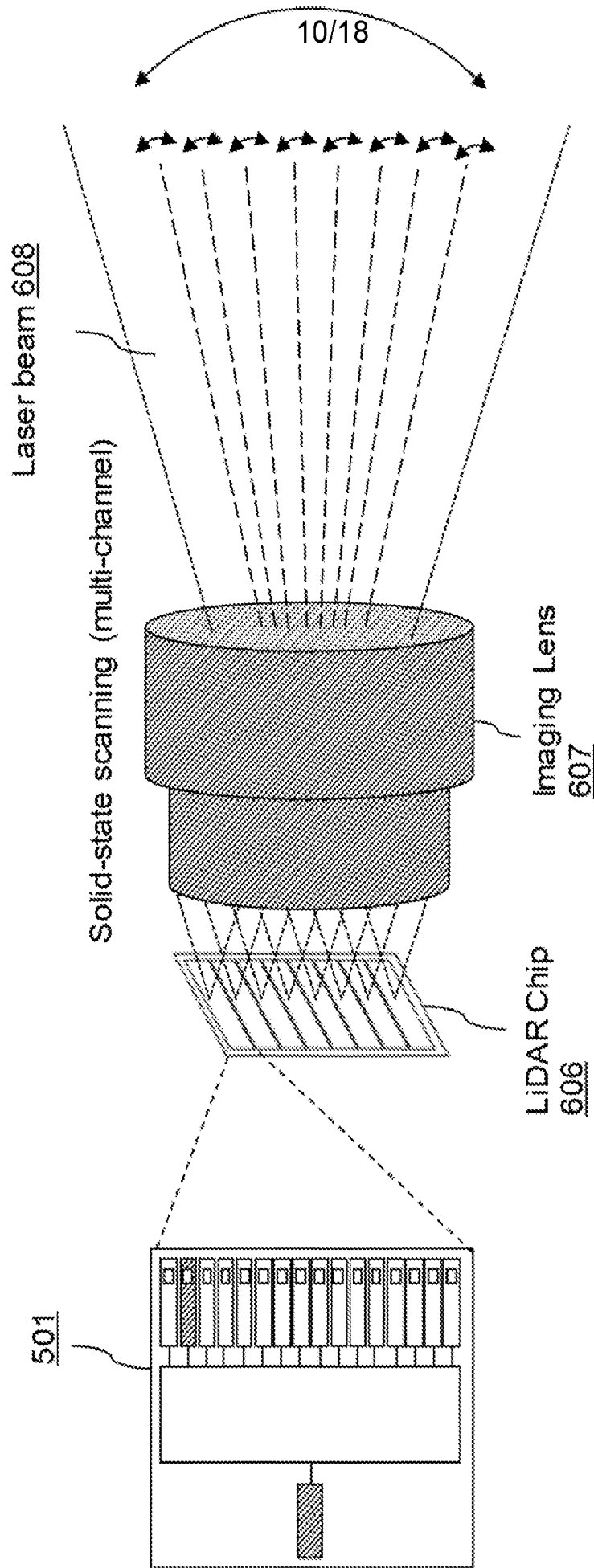


FIG. 6

11/18

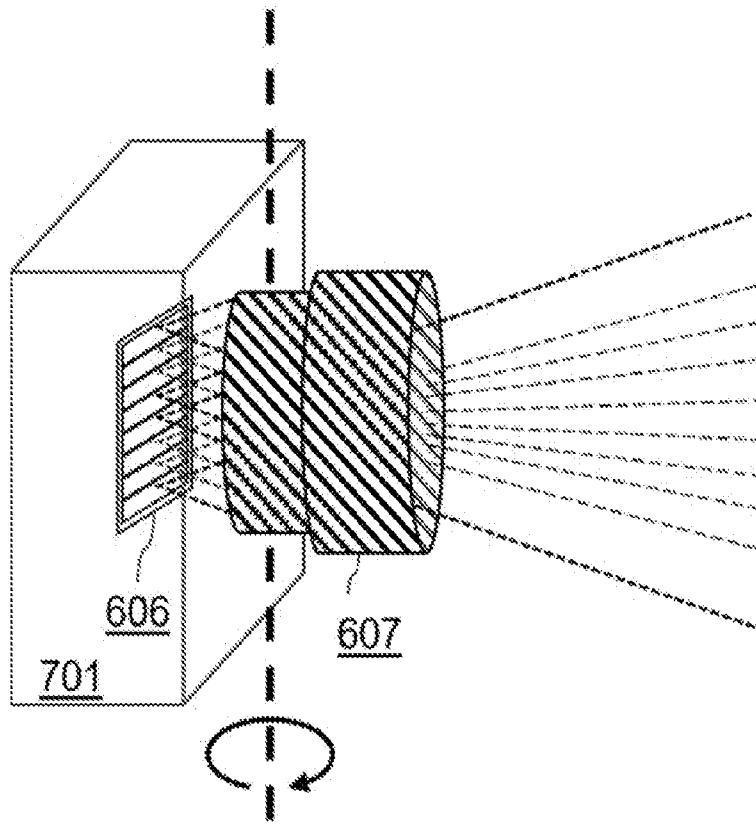


FIG. 7a

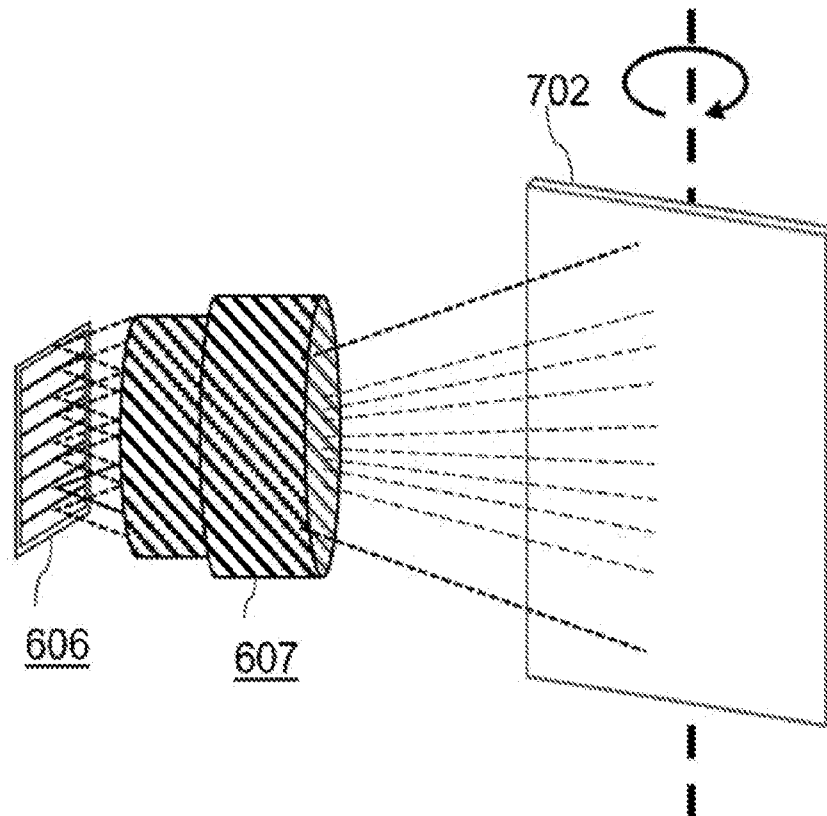
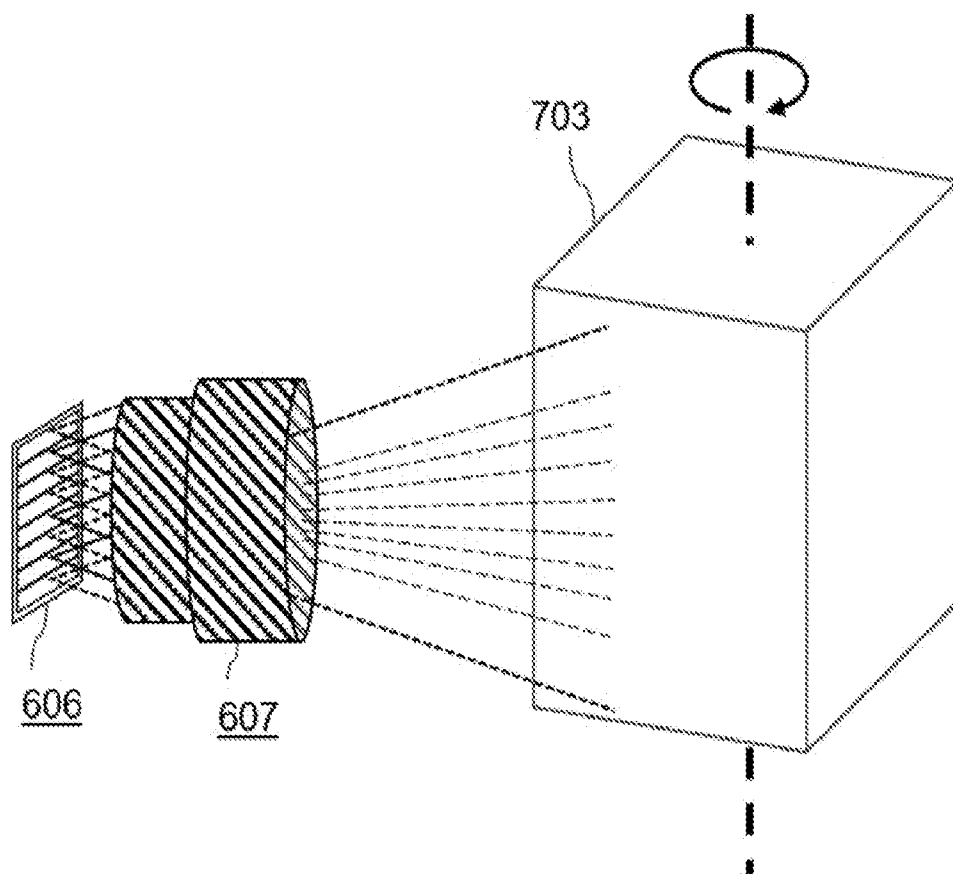


FIG. 7b



**FIG. 7c**

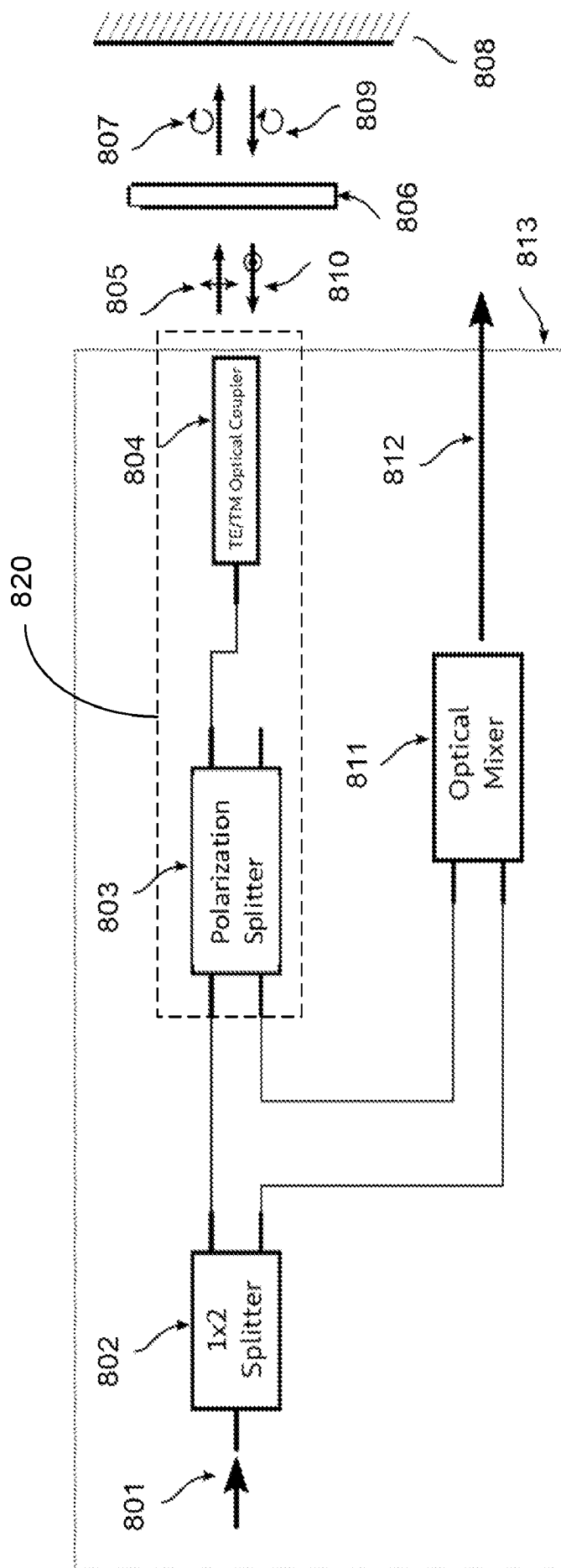


FIG. 8

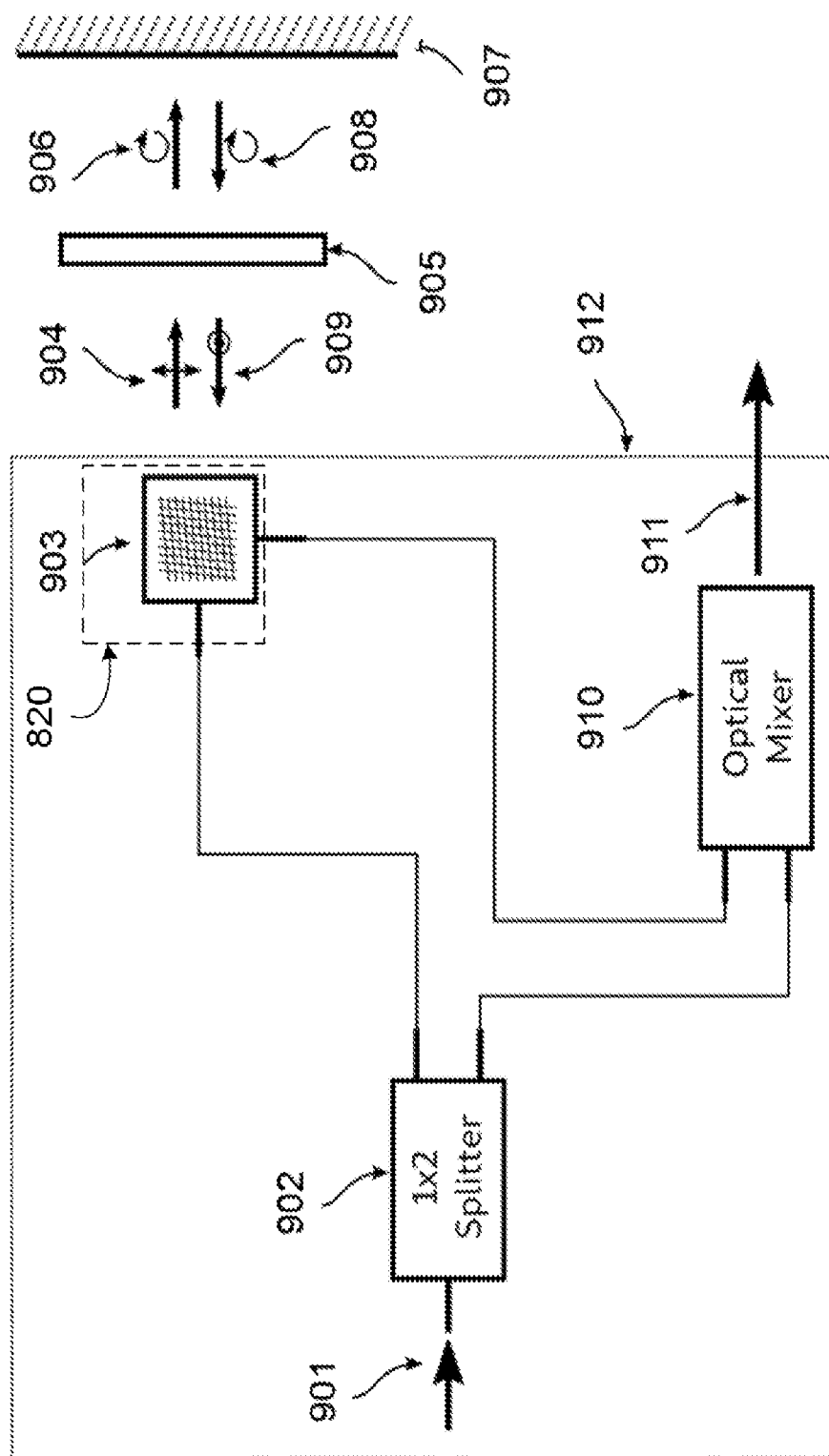


FIG. 9

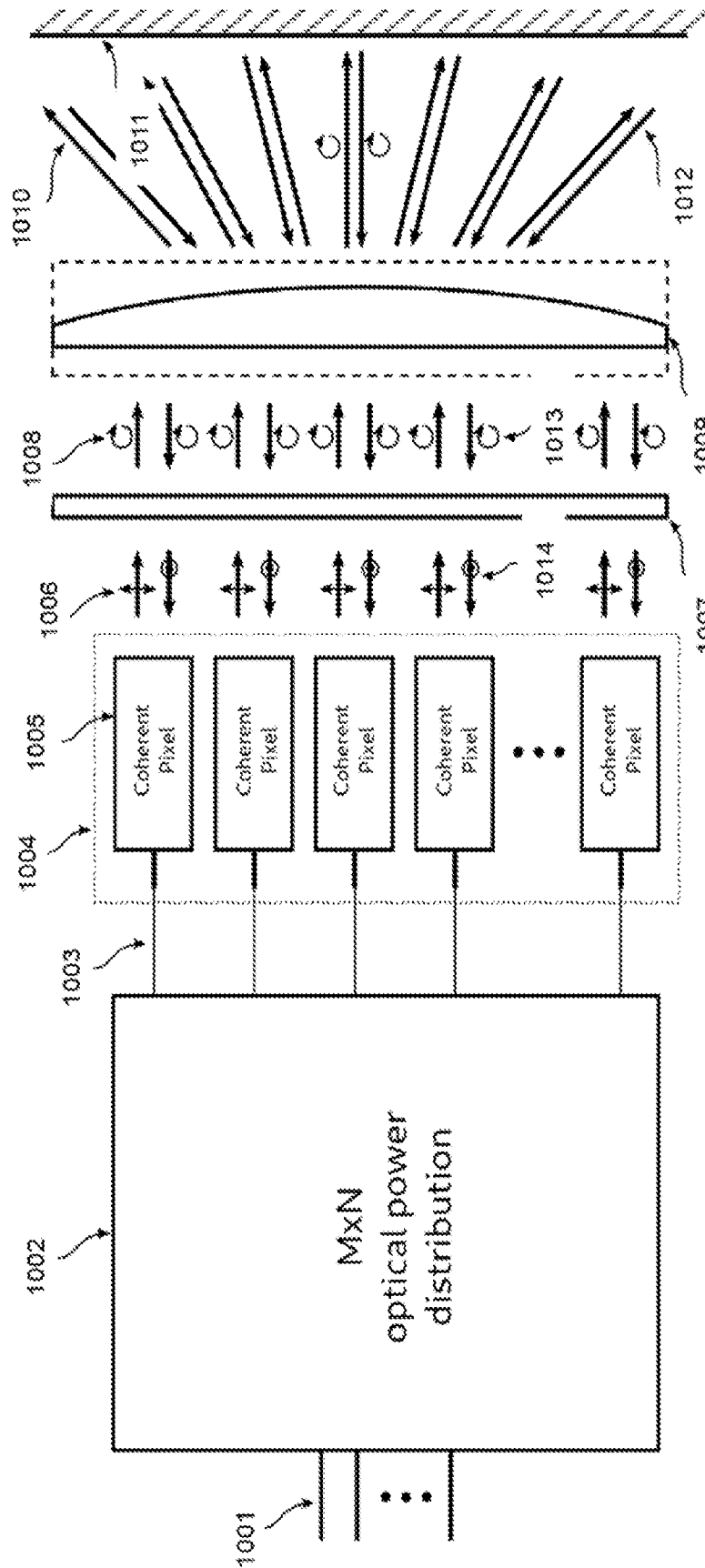


FIG. 10

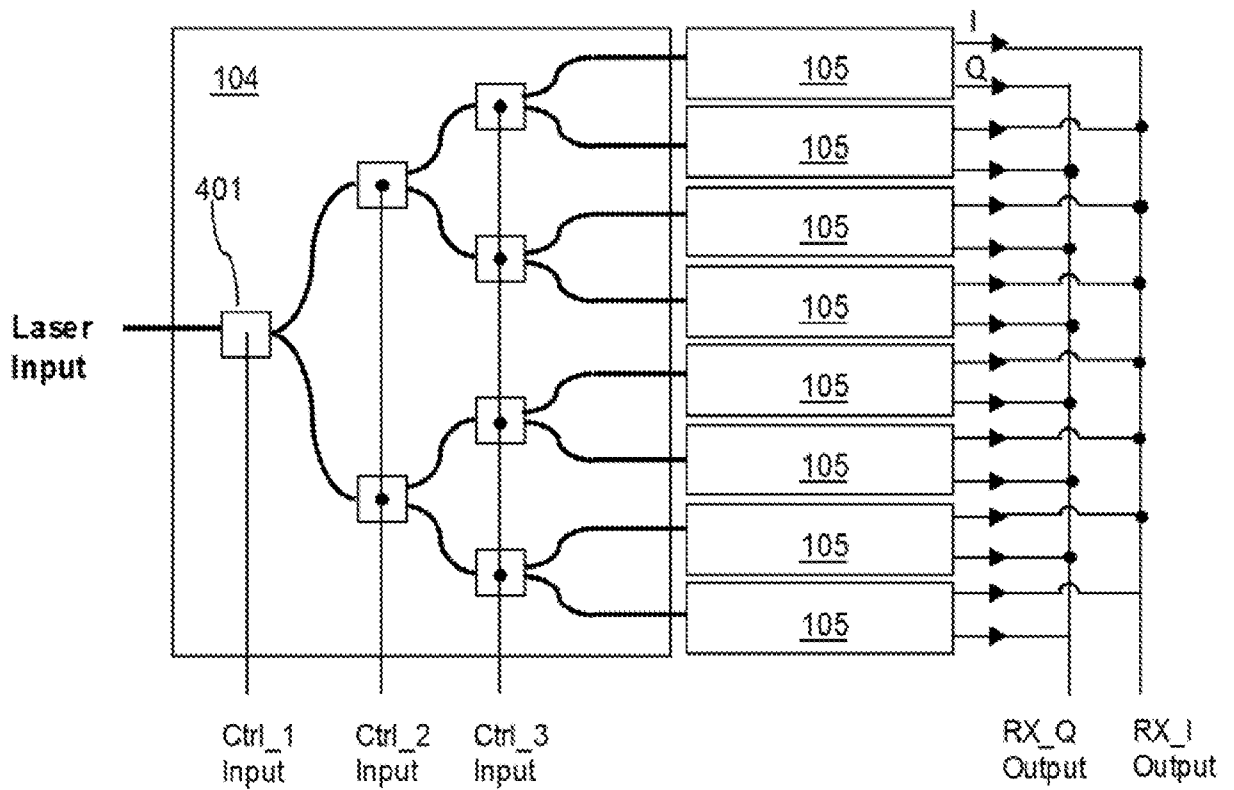


FIG. 11a

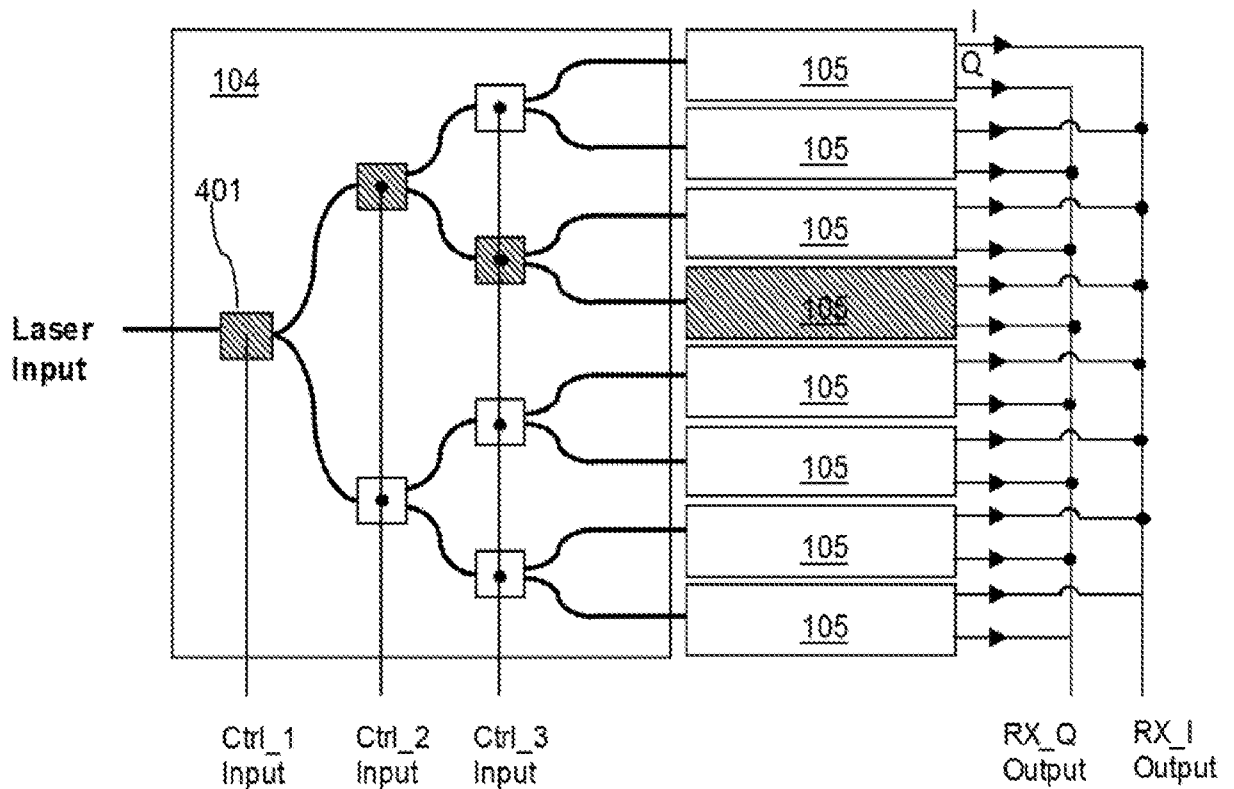


FIG. 11b



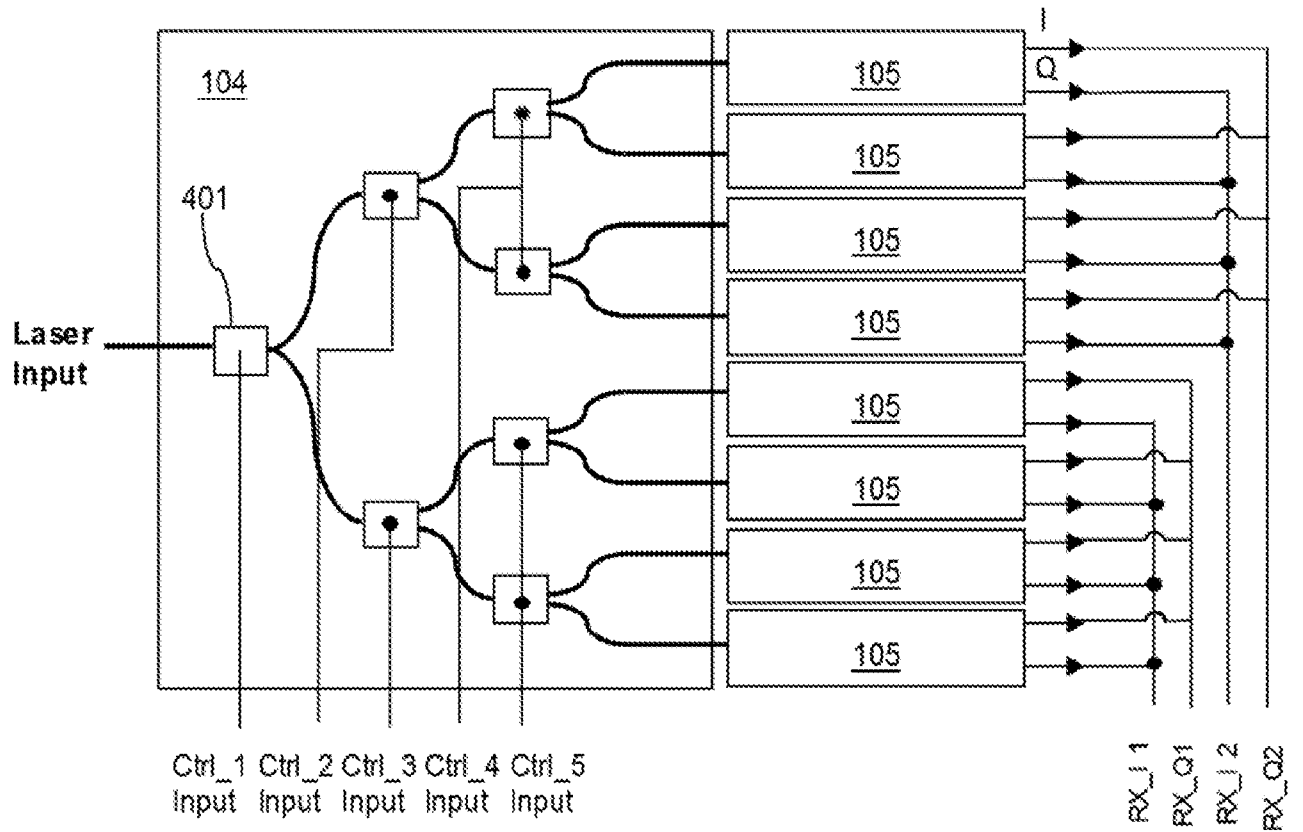


FIG. 11c

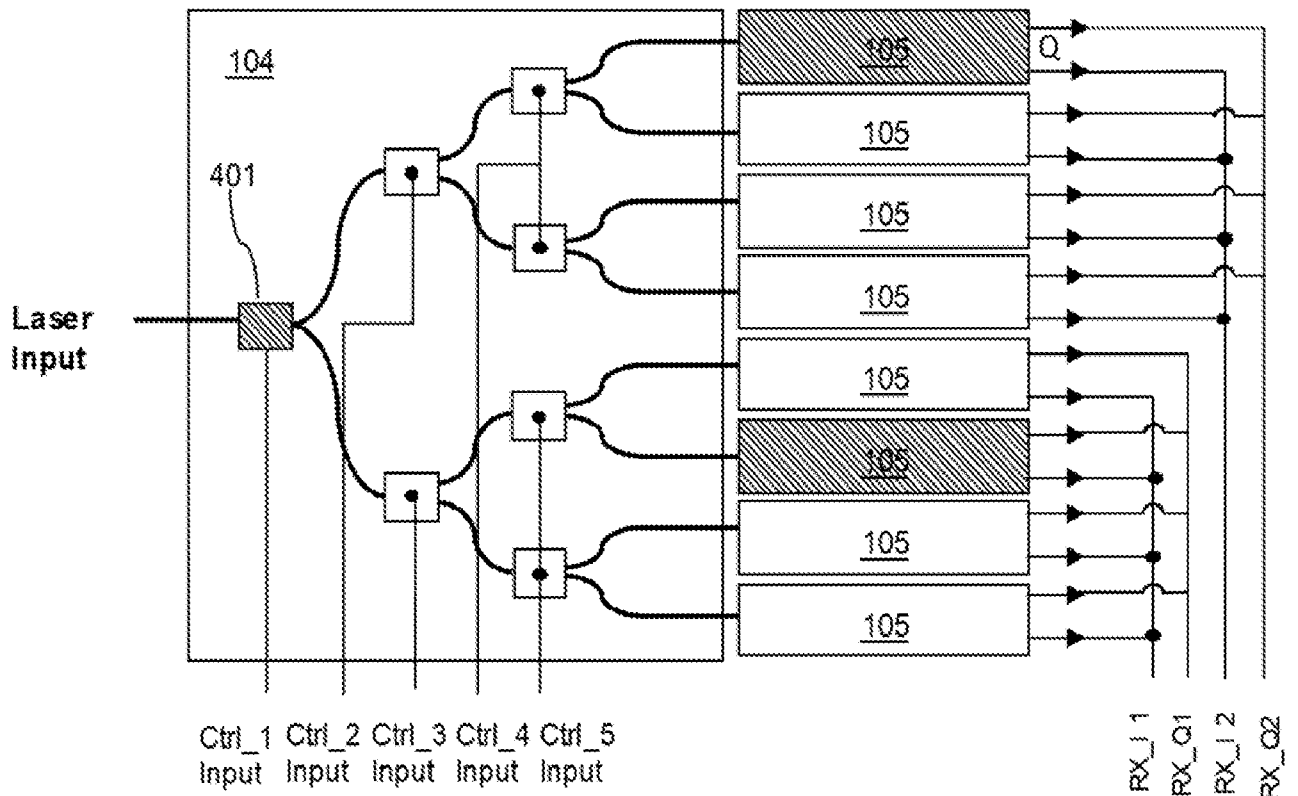


FIG. 11d

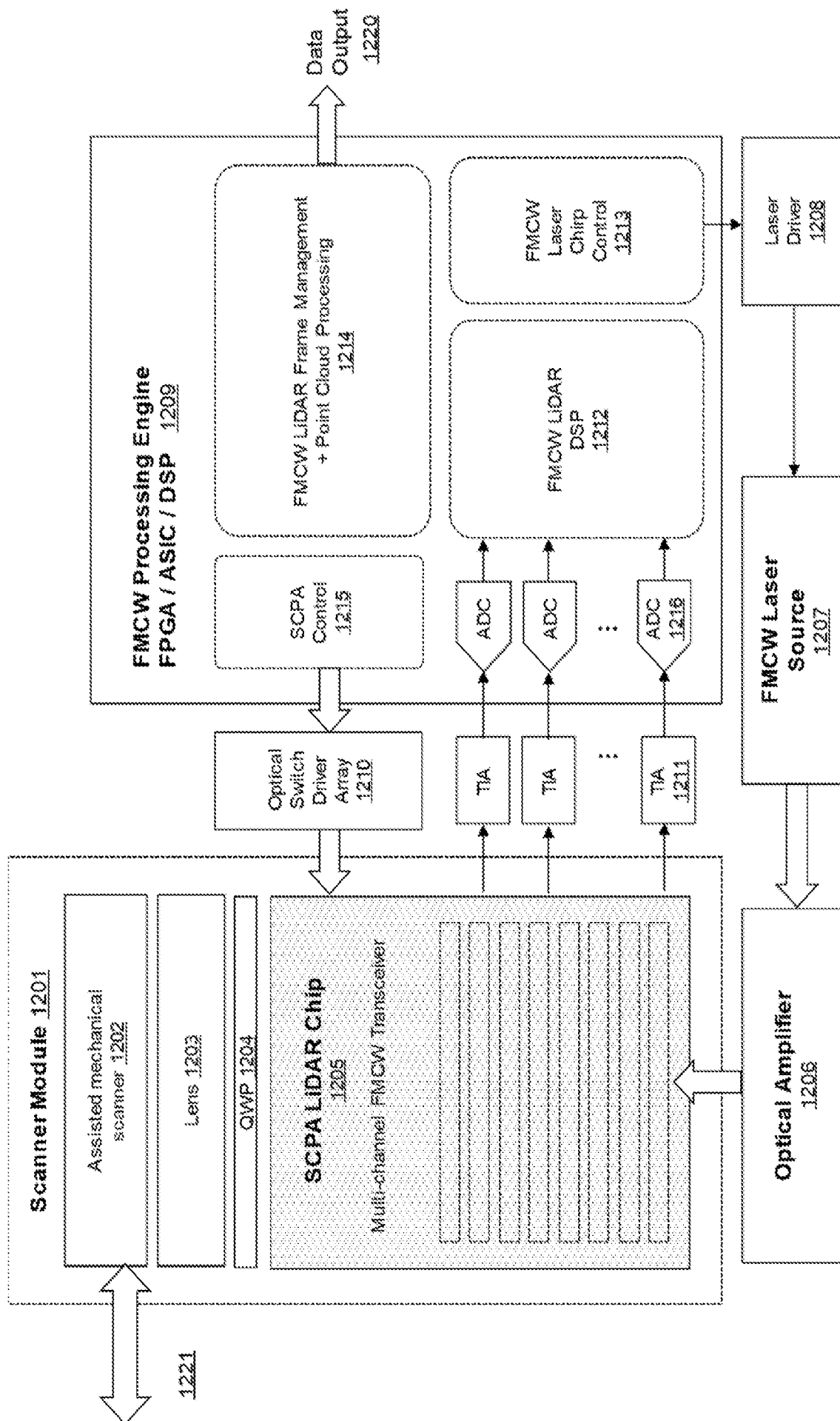


FIG. 12