

From the INTERNATIONAL BUREAU

PCTCOMMUNICATION IN CASES FOR WHICH
NO OTHER FORM IS APPLICABLE

To:

EHRlich, Gal
G. E. EHRlich (1995) LTD.
11 Menachem Begin Road,
5268104 Ramat-Gan
ISRAËL

Date of mailing (<i>day/month/year</i>) 16 September 2020 (16.09.2020)	
Applicant's or agent's file reference 80842	REPLY DUE see paragraph 1 below
International application No. PCT/IL2020/050387	International filing date (<i>day/month/year</i>) 30 March 2020 (30.03.2020)
Applicant STRATASYS LTD.	

1. REPLY DUE within months/days from the above date of mailing
 NO REPLY DUE, however, see below
 IMPORTANT COMMUNICATION
 INFORMATION ONLY

2. COMMUNICATION:

The International Bureau acknowledges receipt of Form PCT/ISA/217 dated 11 SEP 2020 (11.09.2020) and the accompanying sheets dated 13 APR 2020 (13.04.2020).

The International Bureau notifies the applicant, the designated Offices and, where a demand has been made, the International Preliminary Examining Authority that the rectification of an obvious mistake authorized under Rule 91 has not been taken into account for the purposes of the international search.

A copy of this notification together with Form PCT/ISA/217 and the accompanying sheets are being sent to designated Offices.

The International Bureau of WIPO 34, chemin des Colombettes 1211 Geneva 20, Switzerland	Authorized officer Suarez Javier e-mail pct.team9@wipo.int Telephone No. +41 22 338 74 09
---	---

PATENT COOPERATION TREATY

PCT

From the INTERNATIONAL SEARCHING AUTHORITY

NOTIFICATION OF DECISION CONCERNING REQUEST FOR RECTIFICATION

(PCT Rule 91.3(a) and (d))

To:
G. E. EHRLICH (1995) LTD.
11 Menachem Begin Road
5268104 Ramat Gan
ISRAEL

Date of mailing
(day/month/year) 11/09/2020

Applicant's or agent's file reference
80842

REPLY DUE
NONE
However, see last paragraph below

International application N°.
PCT/IL2020/050387

International filing date
(day/month/year) 30/03/2020


Applicant
STRATASYS LTD.

The applicant is hereby notified that this International Searching Authority has considered the request for rectification of obvious errors in the international application/in other papers submitted by the applicant to this Authority, and that it has decided:

1. a. to authorize the rectification:
- as requested by the applicant.
 to the extent set forth below*:
- b. The rectification **will be or has been taken into account** for the purposes of the international search (Rule 43.6bis (a)).
 The rectification **has not been taken into account** because it was authorized by this Authority after this Authority has begun to draw up the international search report (Rule 43.6bis (b)).
2. to refuse to authorize the rectification or part of it for the following reasons*:

A copy of this notification, together with a copy of the applicant's request for rectification, has been sent to the receiving Office and to the International Bureau.

* **If the authorization of the rectification has been refused in whole or in part**, the applicant may request the International Bureau, within two months from the date of the refusal and subject to the payment of a special fee, to publish the request for rectification and the reasons for refusal by this Authority and any further brief comments that may be submitted by the applicant together with the international application. See rule 91.3(d) and, for the amount of the fee, see the **PCT Applicant's Guide**, Volume I, Annex B2(1B).

<p>Name and mailing address of the International Searching Authority</p>  <p>European Patent Office, P.B. 5818 Patentlaan 2 NL-2280 HV Rijswijk Tel. (+31-70) 340-2040, Tx. 31 651 epo nl, Fax: (+31-70) 340-3016</p>	<p>Authorized officer</p> <p>Kenneth Ross</p>
--	---



EHRlich GROUP
TURNING IDEAS INTO VALUE

PCT/IL2020/050387
13 April 2020

The Rogovin-Tidhar Tower, 15th Floor, 11 Menachem Begin Road, 5268104 Ramat-Gan, Israel
Tel: +972-73-7919199, Fax: +972-73-7919100, patents@ipatent.co.il, www.ipatent.co.il

13 April, 2020

Attention: Authorized Officer TSODIKOV David
ISRAEL PATENT OFFICE
P.C.T. DIVISION
1 Agudat HaSport Road
HaGan HaTechnology, Building no. 5
96951 Jerusalem

Dear Sirs,

Re : PCT Patent Application No. PCT/IL2020/050387
Filed: 30 March 2020
By : Stratasys Ltd. (Inventor: GLASSMAN Barak)
For : METHOD AND SYSTEM FOR LEVELING A LAYER IN FREEFORM FABRICATION
Agent Ref: 80842
RESPONSE TO PCT/RO/132 DATED 2 APRIL 2020

RECTIFICATION OF OBVIOUS MISTAKE UNDER RULE 91.1

Further to Form PCT/RO/132 issued on 2 April 2020, attached is the amended page 2 of the figures.

The amendments are obvious to correct because they merely relate to the numbering of the figures, and not to subject matter in any way.

Yours very truly,

Dr. Gal Ehrlich (AB)

Agent on behalf of Applicant

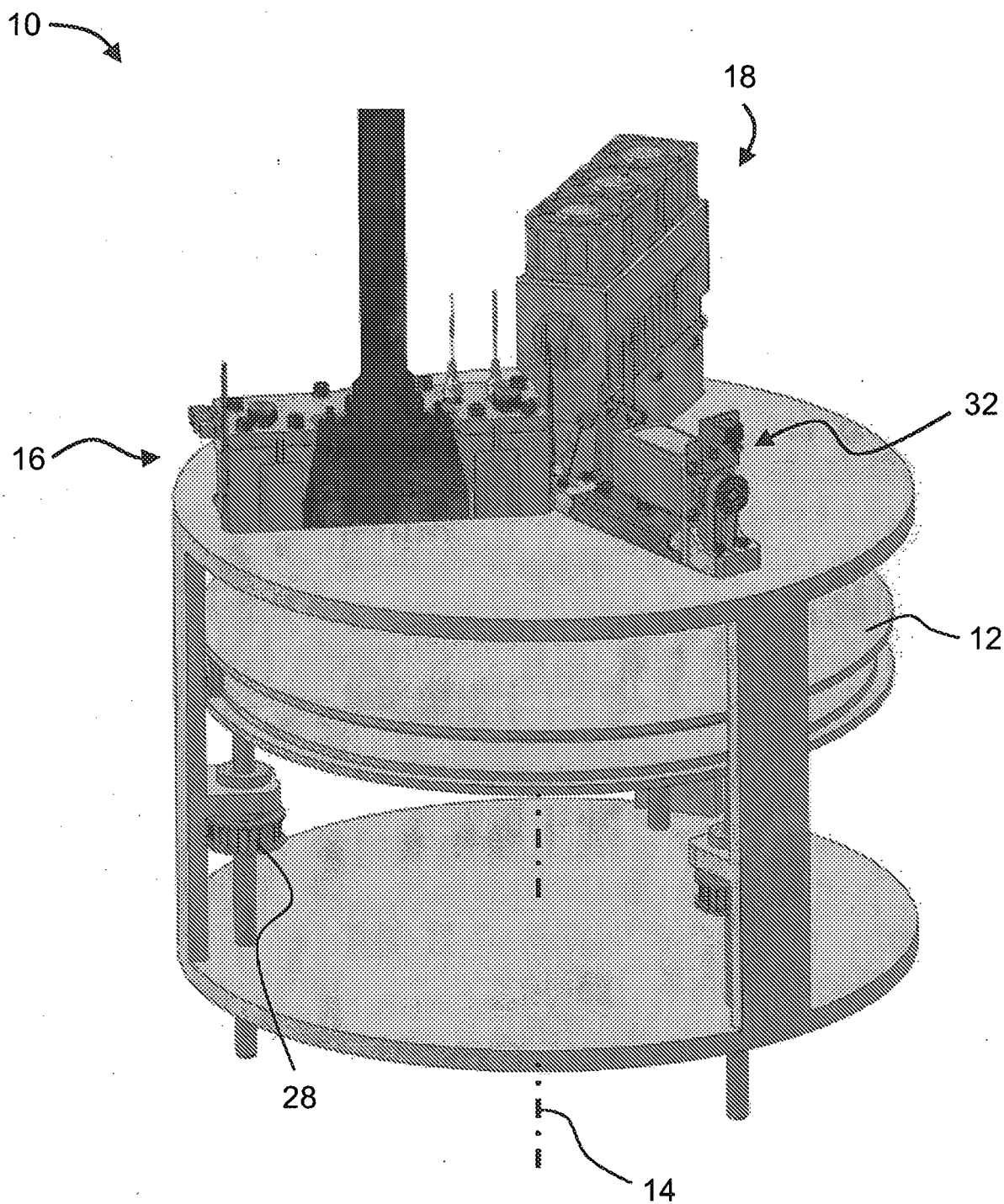


FIG. 1C