



The Rogovin-Tidhar Tower, 15th Floor, 11 Menachem Begin Road, 5268104 Ramat-Gan, Israel
Tel: +972-73-7919199, Fax: +972-73-7919100, patents@ipatent.co.il, www.ipatent.co.il

13 April, 2020

Attention: Authorized Officer TSODIKOV David
ISRAEL PATENT OFFICE
P.C.T. DIVISION
1 Agudat HaSport Road
HaGan HaTechnology, Building no. 5
96951 Jerusalem

Dear Sirs,

Re : PCT Patent Application No. PCT/IL2020/050387

Filed: 30 March 2020

By : Stratasys Ltd. (Inventor: GLASSMAN Barak)

For : METHOD AND SYSTEM FOR LEVELING A LAYER IN FREEFORM FABRICATION

Agent Ref: 80842

RESPONSE TO PCT/RO/132 DATED 2 APRIL 2020

RECTIFICATION OF OBVIOUS MISTAKE UNDER RULE 91.1

Further to Form PCT/RO/132 issued on 2 April 2020, attached is the amended page 2 of the figures.

The amendments are obvious to correct because they merely relate to the numbering of the figures, and not to subject matter in any way.

Yours very truly,

Dr. Gal Ehrlich (AB)

Agent on behalf of Applicant

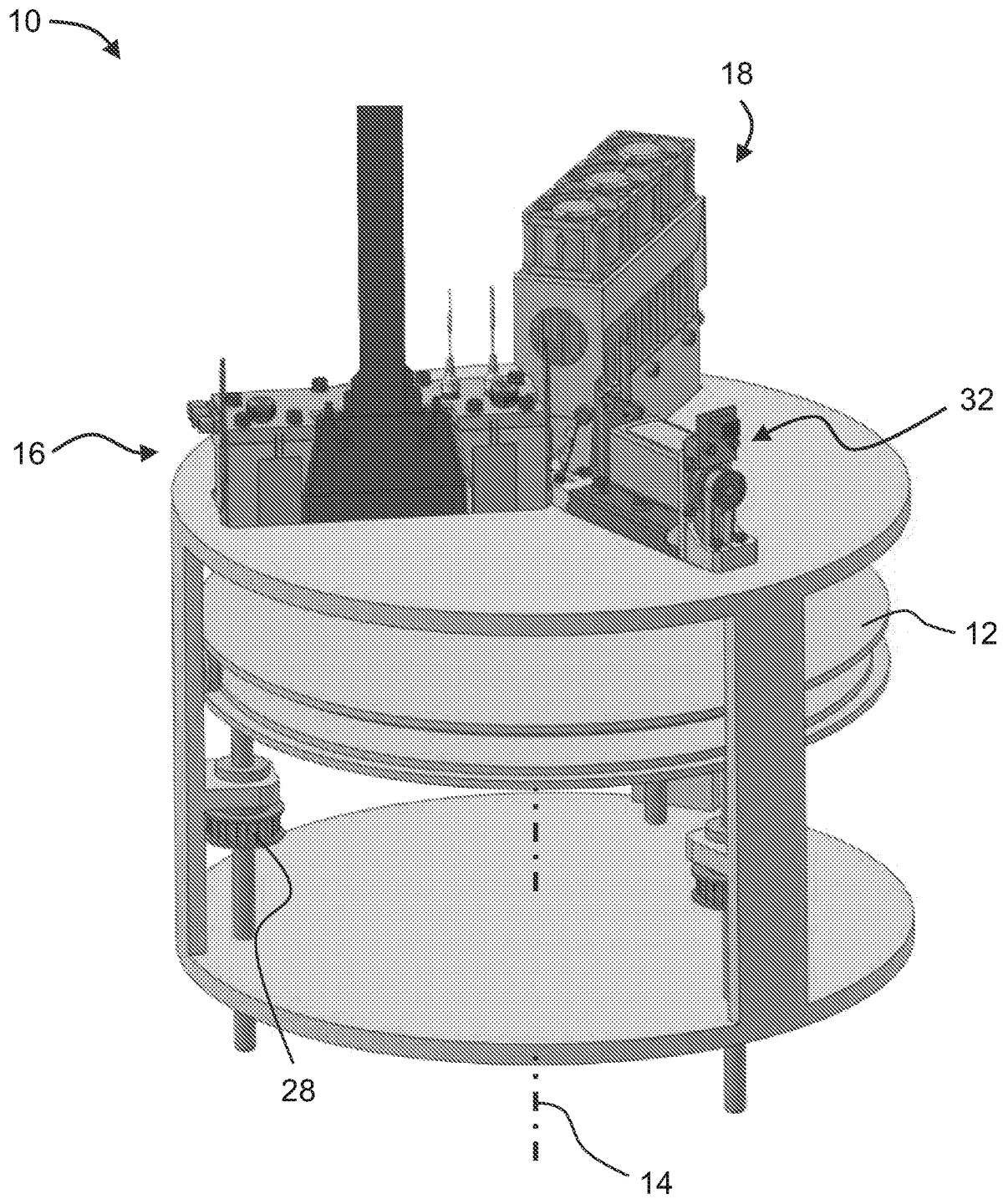


FIG. 1C