



(43) International Publication Date
11 June 2020 (11.06.2020)

(51) International Patent Classification:

B65G 1/137 (2006.01) G06Q 10/08 (2012.01)
B65G 3/00 (2006.01) G06Q 50/28 (2012.01)

(21) International Application Number:

PCT/US2019/061586

(22) International Filing Date:

15 November 2019 (15.11.2019)

(25) Filing Language:

English

(26) Publication Language:

English

(30) Priority Data:

62/774,434 03 December 2018 (03.12.2018) US

(71) Applicant: **WALMART APOLLO, LLC** [US/US]; 702 Southwest 8th Street, Bentonville, Arkansas 72716 (US).

(72) Inventors: **TOLSON, Andrew**; 1062 Clayton Road, Cave Springs, Arkansas 72718 (US). **PHILLIPS, Abe**; 1502 Shook Drive, Cave Springs, Arkansas 72718 (US).

(74) Agent: **FOLEY, Sarah B.**; Barta, Jones & Foley, P.C., 3308 Preston Road, #350-161, Plano, Texas 75093 (US).

(81) Designated States (unless otherwise indicated, for every kind of national protection available): AE, AG, AL, AM, AO, AT, AU, AZ, BA, BB, BG, BH, BN, BR, BW, BY, BZ, CA, CH, CL, CN, CO, CR, CU, CZ, DE, DJ, DK, DM, DO, DZ, EC, EE, EG, ES, FI, GB, GD, GE, GH, GM, GT, HN,

HR, HU, ID, IL, IN, IR, IS, JO, JP, KE, KG, KH, KN, KP, KR, KW, KZ, LA, LC, LK, LR, LS, LU, LY, MA, MD, ME, MG, MK, MN, MW, MX, MY, MZ, NA, NG, NI, NO, NZ, OM, PA, PE, PG, PH, PL, PT, QA, RO, RS, RU, RW, SA, SC, SD, SE, SG, SK, SL, SM, ST, SV, SY, TH, TJ, TM, TN, TR, TT, TZ, UA, UG, US, UZ, VC, VN, ZA, ZM, ZW.

(84) Designated States (unless otherwise indicated, for every kind of regional protection available): ARIPO (BW, GH, GM, KE, LR, LS, MW, MZ, NA, RW, SD, SL, ST, SZ, TZ, UG, ZM, ZW), Eurasian (AM, AZ, BY, KG, KZ, RU, TJ, TM), European (AL, AT, BE, BG, CH, CY, CZ, DE, DK, EE, ES, FI, FR, GB, GR, HR, HU, IE, IS, IT, LT, LU, LV, MC, MK, MT, NL, NO, PL, PT, RO, RS, SE, SI, SK, SM, TR), OAPI (BF, BJ, CF, CG, CI, CM, GA, GN, GQ, GW, KM, ML, MR, NE, SN, TD, TG).

Published:

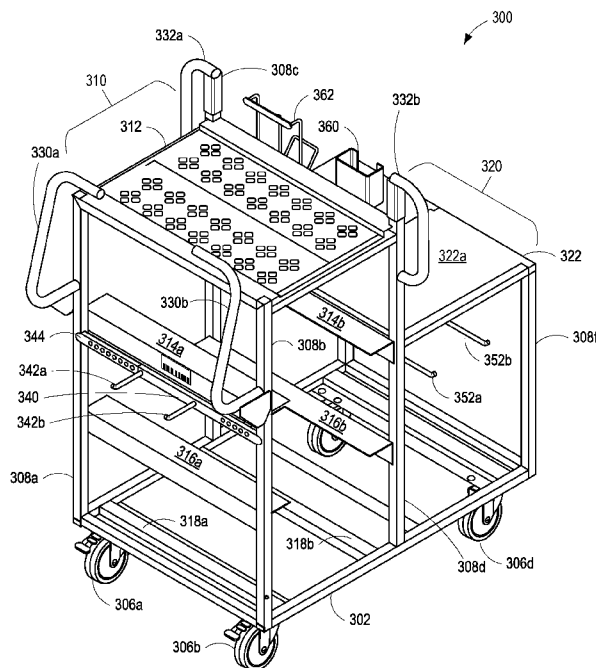
— with international search report (Art. 21(3))

(88) Date of publication of the international search report:

16 July 2020 (16.07.2020)

(54) Title: ECOMMERCE PICKING AND PACKAGING CART

FIG. 3



(57) Abstract: Various configurations of picking and packaging carts are disclosed that can be advantageously employed in E-commerce and retail settings to improve operational efficiency. Examples can preclude the need for a detour from the item retrieval location to a packaging area, prior to delivery to a shipping area, such as a drop-off point. Some examples include a frame; a shelf rack; accessory support units including a printer holder; multiple shipping container support units configured to hold a plurality of shipping containers of a plurality of sizes; and a packaging shelf arrangement comprising a top shelf providing a flat packaging surface.



INTERNATIONAL SEARCH REPORT

International application No.

PCT/US2019/061586

A. CLASSIFICATION OF SUBJECT MATTER

IPC(8) - B65G 1/137; B65G 3/00; G06Q 10/08; G06Q 50/28 (2019.01)

CPC - B65G 1/1373; B65G 1/1375; B65G 1/1378; G06Q 10/08; G06Q 50/28 (2019.08)

According to International Patent Classification (IPC) or to both national classification and IPC

B. FIELDS SEARCHED

Minimum documentation searched (classification system followed by classification symbols)

See Search History document

Documentation searched other than minimum documentation to the extent that such documents are included in the fields searched

USPC - 280/47.35; 280/79.3; 280/79.11 (keyword delimited)

Electronic data base consulted during the international search (name of data base and, where practicable, search terms used)

See Search History document

C. DOCUMENTS CONSIDERED TO BE RELEVANT

Category*	Citation of document, with indication, where appropriate, of the relevant passages	Relevant to claim No.
Y	GLOBAL EQUIPMENT COMPANY INC. Heavy Duty Mobile Packaging Work Bench. 21 July 2017 [Retrieved on 23 December 2019]. Retrieved from internet: <URL: https://web.archive.org/web/20170721231634/http://www.globalindustrial.com/g/work-benches/packaging-workstations/mobile/mobile-packaging-work-bench >. See page 11 of the ISA/237.	1-6, 8, 9, 14, 15
Y	TRESTON INC. Ergonomic Packing Solutions. October 2016 [retrieved on 23 December 2019]. Retrieved from internet: < https://www.treston.us/serve/packing-catalog >. entire document	1-6, 8, 9, 14, 15
Y	US 2003/0155731 A1 (DITGES et al) 21 August 2003 (21.08.2003) entire document	1-6, 8, 9, 14, 15
Y	US 2016/0176637 A1 (AMAZON TECHNOLOGIES, INC.) 23 June 2016 (23.06.2016) entire document	2
Y	US 2010/0057245 A1 (HIRONAKA et al) 04 March 2010 (04.03.2010) entire document	5
A	US 5,646,616 A (KOMATSU) 08 July 1997 (08.07.1997) entire document	1-20

 Further documents are listed in the continuation of Box C. See patent family annex.

* Special categories of cited documents:

"A" document defining the general state of the art which is not considered to be of particular relevance

"E" earlier application or patent but published on or after the international filing date

"L" document which may throw doubts on priority claim(s) or which is cited to establish the publication date of another citation or other special reason (as specified)

"O" document referring to an oral disclosure, use, exhibition or other means

"P" document published prior to the international filing date but later than the priority date claimed

"T" later document published after the international filing date or priority date and not in conflict with the application but cited to understand the principle or theory underlying the invention

"X" document of particular relevance; the claimed invention cannot be considered novel or cannot be considered to involve an inventive step when the document is taken alone

"Y" document of particular relevance; the claimed invention cannot be considered to involve an inventive step when the document is combined with one or more other such documents, such combination being obvious to a person skilled in the art

"&" document member of the same patent family

Date of the actual completion of the international search

24 December 2019

Date of mailing of the international search report

17 JAN 2020

Name and mailing address of the ISA/US

Mail Stop PCT, Attn: ISA/US, Commissioner for Patents
P.O. Box 1450, Alexandria, VA 22313-1450

Facsimile No. 571-273-8300

Authorized officer

Blaine R. Copenheaver

PCT Helpdesk: 571-272-4300
PCT OSP: 571-272-7774