

DOCUMENT MADE AVAILABLE UNDER THE PATENT COOPERATION TREATY (PCT)

International application number:	PCT/IB2019/059313
International filing date:	30 October 2019 (30.10.2019)
Document type:	Certified copy of priority document
Document details:	Country/Office: US
	Number: 62/774,564
	Filing date: 03 December 2018 (03.12.2018)
Date of receipt at the International Bureau:	31 October 2019 (31.10.2019)

Remark: Priority document submitted or transmitted to the International Bureau in compliance with Rule 17.1(a),(b) or (b-bis)

CERTIFICATE OF AVAILABILITY OF A CERTIFIED PATENT DOCUMENT IN A DIGITAL LIBRARY

The International Bureau certifies that a copy of the patent application indicated below has been available to the WIPO Digital Access Service since the date of availability indicated, and that the patent application has been available to the indicated Office(s) as of the date specified following the relevant Office code:

Document details: Country/Office: US

Filing date: 03 Dec 2018 (03.12.2018)

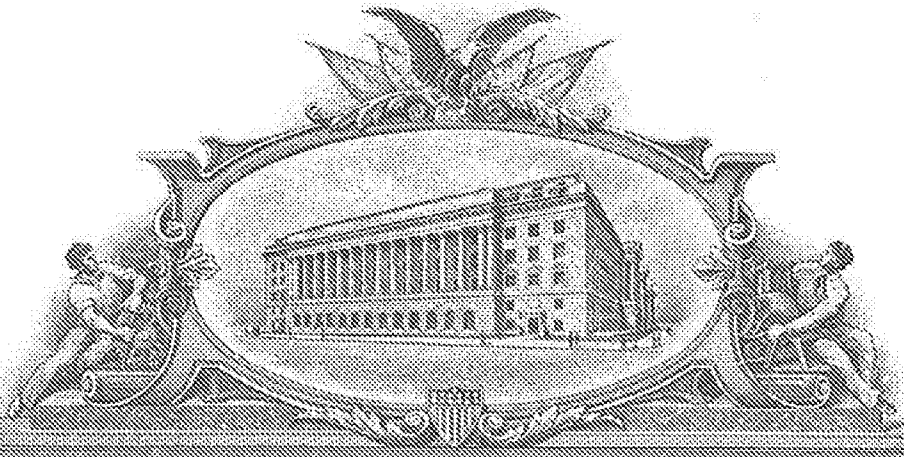
Application number: 62774564

Date of availability of document: 29 Oct 2019 (29.10.2019)

The following Offices can retrieve this document by using the access code:

JP, GE, NZ, EA, BR, GB, CA, IB, MA, FI, DK, US, AR, SE, KR, IL, IN,
AU, EP, ES, NL, EE, CN, CL

Date of issue of this certificate: 31 Oct 2019 (31.10.2019)



THE UNITED STATES OF AMERICA

TO ALL TO WHOM THESE PRESENTS SHALL COME:

UNITED STATES DEPARTMENT OF COMMERCE

United States Patent and Trademark Office

October 31, 2019

THIS IS TO CERTIFY THAT ANNEXED HERETO IS A TRUE COPY FROM THE RECORDS OF THE UNITED STATES PATENT AND TRADEMARK OFFICE OF THOSE PAPERS OF THE BELOW IDENTIFIED PATENT APPLICATION THAT MET THE REQUIREMENTS TO BE GRANTED A FILING DATE UNDER 35 USC 111.

APPLICATION NUMBER: *62/774,564*
FILING DATE: *December 03, 2018*

THE COUNTRY CODE AND NUMBER OF YOUR PRIORITY APPLICATION, TO BE USED FOR FILING ABROAD UNDER THE PARIS CONVENTION, IS *US62/774,564*



Certified by

Andres Ibarra

Under Secretary of Commerce
for Intellectual Property
and Director of the United States
Patent and Trademark Office

Under the Paperwork Reduction Act of 1995 no persons are required to respond to a collection of information unless it displays a valid OMB control number

PROVISIONAL APPLICATION FOR PATENT COVER SHEET – Page 1 of 2

This is a request for filing a PROVISIONAL APPLICATION FOR PATENT under 37 CFR 1.53(c).

Express Mail Label No. _____

INVENTOR(S)		
Given Name (first and middle [if any])	Family Name or Surname	Residence (City and either State or Foreign Country)
Eitan	Granot	Beer Yaacov, Israel
Additional inventors are being named on the _____ separately numbered sheets attached hereto.		
TITLE OF THE INVENTION (500 characters max):		
Appliance for producing Tahini (Sesame seeds paste condiment) and other food items		
Direct all correspondence to: CORRESPONDENCE ADDRESS		
<input checked="" type="checkbox"/> The address corresponding to Customer Number:		106842
OR		
<input type="checkbox"/> Firm or Individual Name		
Address		
City	State	Zip
Country	Telephone	Email
ENCLOSED APPLICATION PARTS (check all that apply)		
<input type="checkbox"/> Application Data Sheet. See 37 CFR 1.76.		<input type="checkbox"/> CD(s), Number of CDs _____
<input checked="" type="checkbox"/> Drawing(s) <i>Number of Sheets</i> <u>3</u>		<input type="checkbox"/> Other (specify) _____
<input checked="" type="checkbox"/> Specification (e.g., description of the invention) <i>Number of Pages</i> <u>6</u>		
Fees Due: Filing Fee of \$280 (\$140 for small entity) (\$70 for micro entity). If the specification and drawings exceed 100 sheets of paper, an application size fee is also due, which is \$400 (\$200 for small entity) (\$100 for micro entity) for each additional 50 sheets or fraction thereof. See 35 U.S.C. 41(a)(1)(G) and 37 CFR 1.16(s).		
METHOD OF PAYMENT OF THE FILING FEE AND APPLICATION SIZE FEE FOR THIS PROVISIONAL APPLICATION FOR PATENT		
<input checked="" type="checkbox"/> Applicant asserts small entity status. See 37 CFR 1.27.		<div style="border: 1px solid black; padding: 5px; font-size: 1.5em; font-weight: bold;">\$140.00</div> <p>TOTAL FEE AMOUNT (\$)</p>
<input type="checkbox"/> Applicant certifies micro entity status. See 37 CFR 1.29. Applicant must attach form PTO/SB/15A or B or equivalent.		
<input type="checkbox"/> A check or money order made payable to the <i>Director of the United States Patent and Trademark Office</i> is enclosed to cover the filing fee and application size fee (if applicable).		
<input type="checkbox"/> Payment by credit card. Form PTO-2038 is attached.		
<input type="checkbox"/> The Director is hereby authorized to charge the filing fee and application size fee (if applicable) or credit any overpayment to Deposit Account Number: _____		

USE ONLY FOR FILING A PROVISIONAL APPLICATION FOR PATENT

This collection of information is required by 37 CFR 1.51. The information is required to obtain or retain a benefit by the public which is to file (and by the USPTO to process) an application. Confidentiality is governed by 35 U.S.C. 122 and 37 CFR 1.11 and 1.14. This collection is estimated to take 10 hours to complete, including gathering, preparing, and submitting the completed application form to the USPTO. Time will vary depending upon the individual case. Any comments on the amount of time you require to complete this form and/or suggestions for reducing this burden, should be sent to the Chief Information Officer, U.S. Patent and Trademark Office, U.S. Department of Commerce, P.O. Box 1450, Alexandria, VA 22313-1450. DO NOT SEND FEES OR COMPLETED FORMS TO THIS ADDRESS. **SEND TO: Commissioner for Patents, P.O. Box 1450, Alexandria, VA 22313-1450.**

If you need assistance in completing the form, call 1-800-PTO-9199 and select option 2.

Under the Paperwork Reduction Act of 1995 no persons are required to respond to a collection of information unless it displays a valid OMB control number

PROVISIONAL APPLICATION FOR PATENT COVER SHEET – Page 2 of 2

The invention was made by an agency of the United States Government or under a contract with an agency of the United States Government.

 No. Yes, the invention was made by an agency of the U.S. Government. The U.S. Government agency name is: _____ Yes, the invention was made under a contract with an agency of the U.S. Government. The name of the U.S. Government agency and Government contract number are: _____**WARNING:**

Petitioner/applicant is cautioned to avoid submitting personal information in documents filed in a patent application that may contribute to identity theft. Personal information such as social security numbers, bank account numbers, or credit card numbers (other than a check or credit card authorization form PTO-2038 submitted for payment purposes) is never required by the USPTO to support a petition or an application. If this type of personal information is included in documents submitted to the USPTO, petitioners/applicants should consider redacting such personal information from the documents before submitting them to the USPTO. Petitioner/applicant is advised that the record of a patent application is available to the public after publication of the application (unless a non-publication request in compliance with 37 CFR 1.213(a) is made in the application) or issuance of a patent. Furthermore, the record from an abandoned application may also be available to the public if the application is referenced in a published application or an issued patent (see 37 CFR 1.14). Checks and credit card authorization forms PTO-2038 submitted for payment purposes are not retained in the application file and therefore are not publicly available.

SIGNATURE /Bradley C Fach/ DATE 12/3/2018TYPED OR PRINTED NAME Bradley C Fach REGISTRATION NO. 53855
(if appropriate)TELEPHONE 704-802-9023 DOCKET NUMBER 2929-001PRO1

Privacy Act Statement

The **Privacy Act of 1974 (P.L. 93-579)** requires that you be given certain information in connection with your submission of the attached form related to a patent application or patent. Accordingly, pursuant to the requirements of the Act, please be advised that: (1) the general authority for the collection of this information is 35 U.S.C. 2(b)(2); (2) furnishing of the information solicited is voluntary; and (3) the principal purpose for which the information is used by the U.S. Patent and Trademark Office is to process and/or examine your submission related to a patent application or patent. If you do not furnish the requested information, the U.S. Patent and Trademark Office may not be able to process and/or examine your submission, which may result in termination of proceedings or abandonment of the application or expiration of the patent.

The information provided by you in this form will be subject to the following routine uses:

1. The information on this form will be treated confidentially to the extent allowed under the Freedom of Information Act (5 U.S.C. 552) and the Privacy Act (5 U.S.C. 552a). Records from this system of records may be disclosed to the Department of Justice to determine whether disclosure of these records is required by the Freedom of Information Act.
2. A record from this system of records may be disclosed, as a routine use, in the course of presenting evidence to a court, magistrate, or administrative tribunal, including disclosures to opposing counsel in the course of settlement negotiations.
3. A record in this system of records may be disclosed, as a routine use, to a Member of Congress submitting a request involving an individual, to whom the record pertains, when the individual has requested assistance from the Member with respect to the subject matter of the record.
4. A record in this system of records may be disclosed, as a routine use, to a contractor of the Agency having need for the information in order to perform a contract. Recipients of information shall be required to comply with the requirements of the Privacy Act of 1974, as amended, pursuant to 5 U.S.C. 552a(m).
5. A record related to an International Application filed under the Patent Cooperation Treaty in this system of records may be disclosed, as a routine use, to the International Bureau of the World Intellectual Property Organization, pursuant to the Patent Cooperation Treaty.
6. A record in this system of records may be disclosed, as a routine use, to another federal agency for purposes of National Security review (35 U.S.C. 181) and for review pursuant to the Atomic Energy Act (42 U.S.C. 218(c)).
7. A record from this system of records may be disclosed, as a routine use, to the Administrator, General Services, or his/her designee, during an inspection of records conducted by GSA as part of that agency's responsibility to recommend improvements in records management practices and programs, under authority of 44 U.S.C. 2904 and 2906. Such disclosure shall be made in accordance with the GSA regulations governing inspection of records for this purpose, and any other relevant (*i.e.*, GSA or Commerce) directive. Such disclosure shall not be used to make determinations about individuals.
8. A record from this system of records may be disclosed, as a routine use, to the public after either publication of the application pursuant to 35 U.S.C. 122(b) or issuance of a patent pursuant to 35 U.S.C. 151. Further, a record may be disclosed, subject to the limitations of 37 CFR 1.14, as a routine use, to the public if the record was filed in an application which became abandoned or in which the proceedings were terminated and which application is referenced by either a published application, an application open to public inspection or an issued patent.
9. A record from this system of records may be disclosed, as a routine use, to a Federal, State, or local law enforcement agency, if the USPTO becomes aware of a violation or potential violation of law or regulation.

In the USPTO - Provisional Application for United States Patent

TITLE: Appliance for producing Tahini (Sesame seeds paste condiment) and other food items

INVENTOR(S): Eitan Granot, 22 Haefrony St. Beer Yaacov 7031069, Israel
Israel I.D 053905469

FIELD ON THE INVENTION: HOME & COUNTER TOP APPLIANCES

BACKGROUND

[0001] Tahini, a paste made of ground roasted or non-roasted, hulled or non-hulled sesame seeds, is consumed as a staple Mediterranean food, and currently cannot be produce at home in one appliance. Require either to buy Tahini as pre packed processed food product, or make it at home in complicated process using non-dedicated home appliances. The current innovation make the Tahini in non-industrial scale easy and efficient, with appliance that is not currently available.

[0002] The innovation combined all process steps that are commonly required for the production of Tahini in one appliance. All varieties of Tahini can be produce using the innovation, and the operator can choose the desired process parameters to have his/her own recipe of Tahini

[0003] One of the main drawbacks of pre pack bought Tahini is that along its shelf life the quality and nutritional values derogates, and, oil phase of the sesame seeds paste is separated from the fiber/protein mass. The innovation produces ready to use fresh Tahini that maintain the nutritional values and it is an homogeneous paste, ready for further use.

BRIEF SUMMARY OF THE INVENTION

The invention is a kitchen and counter top unit, designed to make in one unit a smooth and homogenous sesame seeds paste -Tahini. The user is loading the unit with peeled (Hulled) or non-hulled sesame seeds at desired quantity. A preset and controlled electrical roaster is roasting the right amount of seeds, followed by immediate cooling by mean of airflow.

The roasted cooled seeds transferred, in a preset continuous feeding. with controlled gauge, to a pre crusher built to crush the seeds to small particles that are transferred by pushing motion to a double stone and/or ceramic coated metal disks mill, that grind the seeds to a fine paste. The appliance controlled the time and milling pressure as well as the pressure of the pre crusher, thus, the user can have the desired type of Tahini.

Once milling starts and automatic valve opens and pour the ready Tahini via discharge nuzzle into a collecting compartment that can be equipped with hermetic lid. The user can either replace the jar and make another batch, or stop the unit that is ready for future use.

The Tahini in this invention maker can make Tahini from any type of sesame seeds, with or without addition of other oily seeds such as but not limited to Black sesame, peanuts, Chia seeds, Hemp seeds and other mixture of oily seeds the user wish to have. The Tahini maker can also be used for Peanut butter making, as well as ready to eat Tahini dip.

A Whole Tahini, from non-Hulled seeds can also be made; the non-hulled seeds can be used as it is, or in a mixture with hulled seeds.

The Innovation is built in a way, that the user can also skip the roasting and cooling stage and make a raw Tahini, such process yield a slight bitter raw Sesame butter.

BRIEF DESCRIPTION OF THE DRAWINGS

[0004] Figure 1. Figure 1 shows The Sesame seeds Tahini Maker – counter top All in one , Schematic parts design

[0005] Figure 2. Figure 2 illustrates : Sesame seeds Tahini Maker – counter top All in one , Schematic Operation steps.

[0006] Figure #3 illustrates : Sesame seeds Tahini maker – Counter top All in one – processing parts

DETAILED DESCRIPTION AND BEST MODE OF IMPLEMENTATION

[0007] The invention is an appliance, intended for producing a food called Tahini, made of raw sesame seeds, hulled or non-hulled. That passes several processes require to achieve its texture, taste and color, all made in one appliance, at a scale suitable for home, counter top or small quantity users.

[0008] The present disclosure is to be considered as an exemplification of the invention, and is not intended to limit the invention to the specific embodiments illustrated by the figures or, descriptions in this application.

[0009] The process flow of the invention that is used by the user to make the Tahini, consists of an electrical operated motor that operates the said parts of the invented unit.

[00010] The invention is controlled by a programmable control unit, or in other embodiments may be operated manually.

[00011] The user starts the Tahini making by loading a portion of sesame seeds into the roasting compartments, and, selecting the desired roasting /cooling sequence.

[00012] Once cooling of the roasted seeds is done, the user can operate a valve that enables the transfer of the seeds to the pre-crushing mechanism.

[00013] In other embodiments the seeds may be poured into the roasting chamber, and skip the roasting stage, thus, transferred as raw seeds to the pre-crusher unit.

[00014] The crushing mechanism is built in a way, that it transfers the crushed seeds to the milling device section.

[00015] The milling device, consist on one or more milling elements, mill the crushed or whole sesame seeds to achieve a smooth paste.

[00016] The milling time and press force o is controlled, so several types of milled paste can be achieved.

[00017] The milled paste is pushed by the income-crushed flow, and by the movements of the milling stones, to a nozzle the discharge the ready paste -Tahini.

[00018] The nozzle can feed a collecting container that is part of the invention, or, to any container that is external to the invention.

[00019] All Tahini making process steps, in this invention are installed in one appliance, surrounded by external shield casing. In other embodiments, the roasting and cooling shall be in separate device.

[00020] The invention is built from metal, plastics and ceramic, the milling devise can be made of stone, or in other embodiment from ceramic coated metal.

[00021] Being a food making devise, parts in contact with food are made of food grade materials, and can be dismantled for cleaning.

CLAIMS

[00022] What is claimed is: An appliance for producing Tahini from sesame seeds, comprising all needed process steps in one compact device

- a. Roasting the sesame seeds
- b. Cooling the roasted seeds
- c. Crushing the seeds
- d. Milling the crushed seeds to paste
- e. Discharging the paste

ABSTRACT:

The invention is a sesame seeds paste (Tahini) making devise, that compacting a complicated industrial process to simple, compact home or counter top appliance. Used for Tahini making from hulled or non-hulled sesame seeds. Tahini making, In the traditional or modern industrial ways, require a series of machines and apparatuses that was not accessible to the individual or home user in term of size, and accesses to operational aspects used in the industrial process, that is being built of several process steps.

The invention combined all necessary Tahini making process in one compact devise, using a serial sequence of process steps. That are centrally controlled to achieve the desired type of Tahini.

The user may choose an automatic, centrally controlled process, or in other embodiments, use parts of the process and skip the non-used parts of the intentioned devise.

Operating the invention shall produce sesame seeds paste (Tahini) In a compact simple devise that includes roasting and cooling the seeds, crushing and final milling, plus, pouring the Tahini to a collecting container.

Figure #1

Sesame seeds Tahini Maker – counter top All in one, Schematic parts design

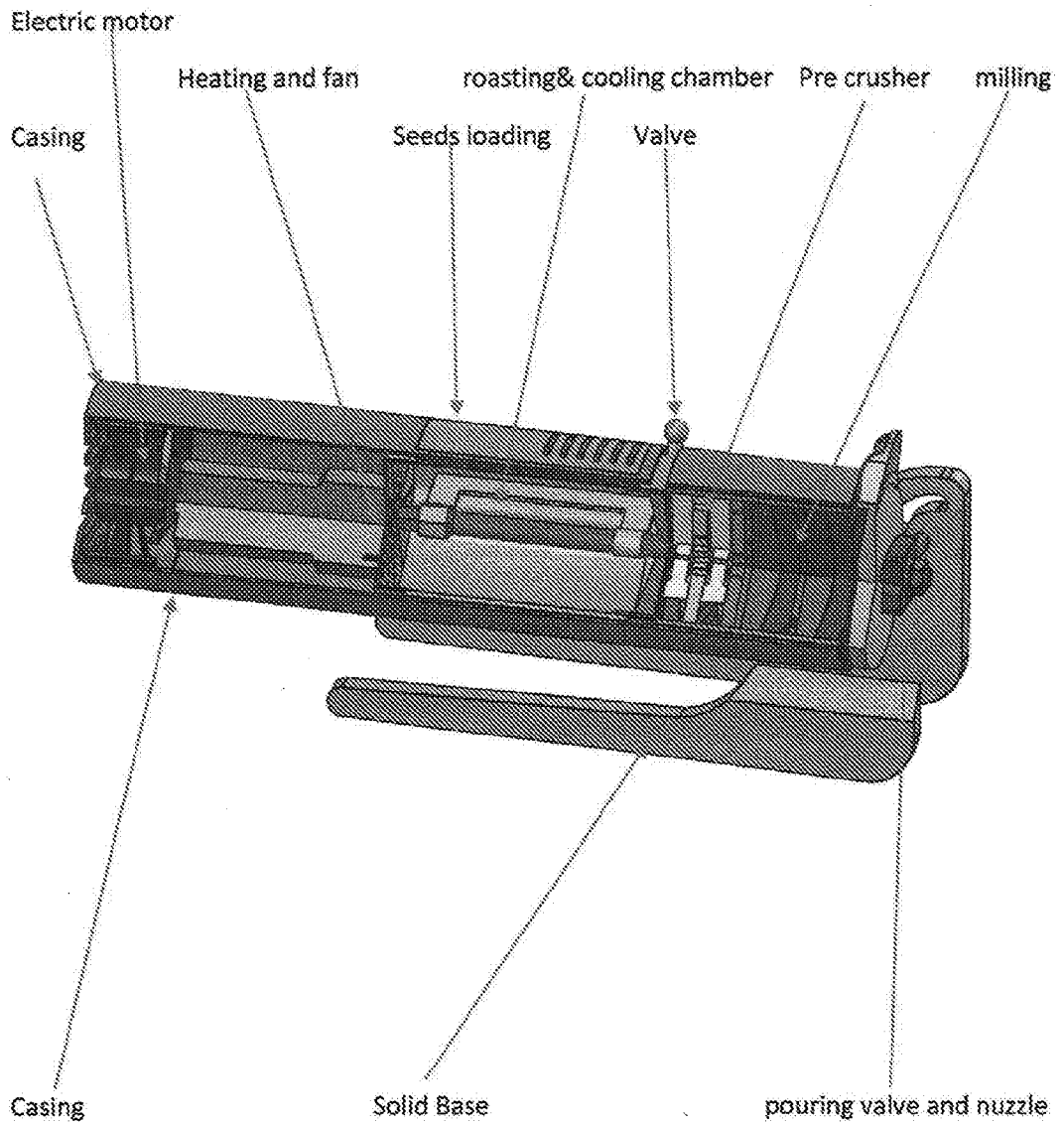
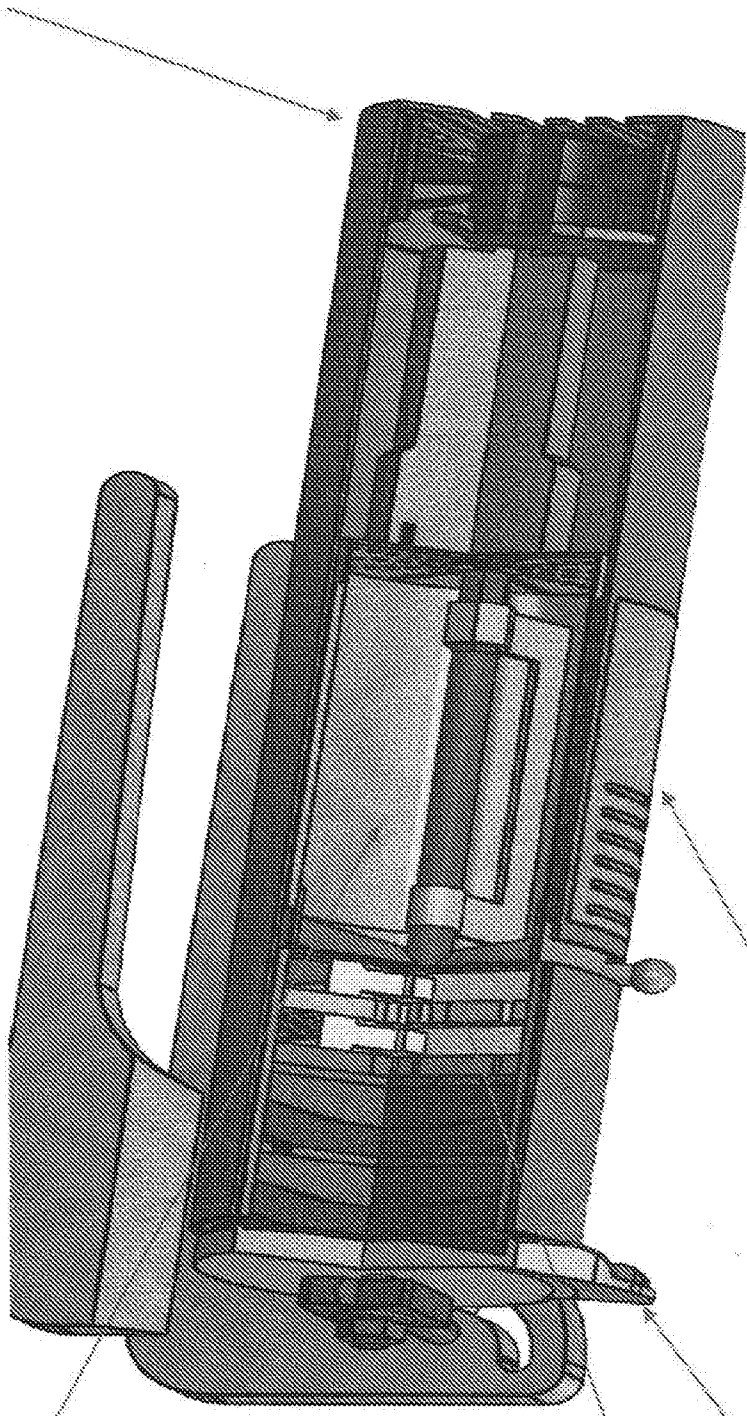


Figure #2 Operating modules

Operating and control panel



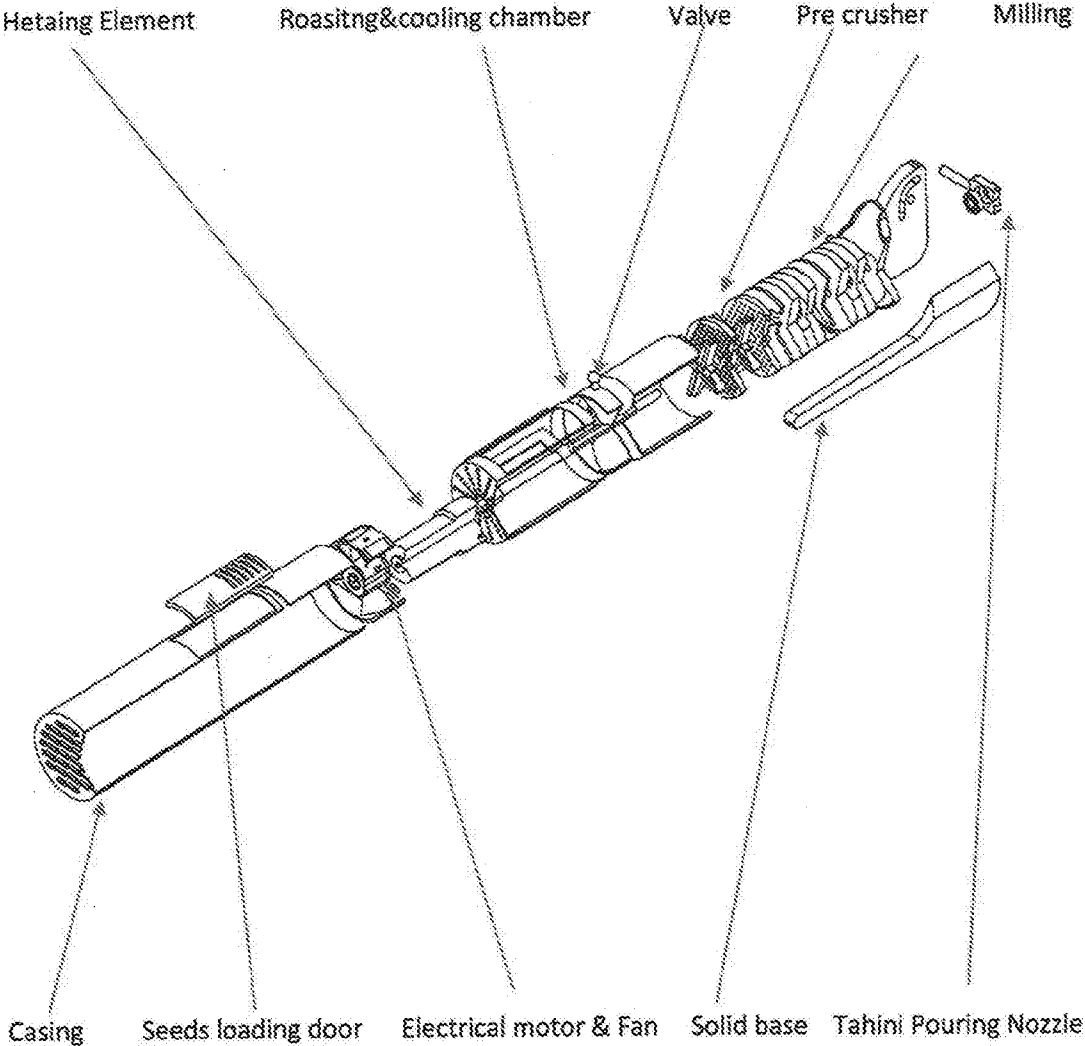
Loading the sesame seeds

Roasting & Cooling compartment

Seeds pre crushing & milling

Pouring Nozzle

Figure #3 - Processing parts



Electronic Acknowledgement Receipt

EFS ID:	34467493
Application Number:	62774564
International Application Number:	
Confirmation Number:	4752
Title of Invention:	Appliance for producing Tahini (Sesame seeds paste condiment) and other food items
First Named Inventor/Applicant Name:	Eitan Granot
Customer Number:	106842
Filer:	Bradley Cole Fach
Filer Authorized By:	
Attorney Docket Number:	2929-001PRO1
Receipt Date:	03-DEC-2018
Filing Date:	
Time Stamp:	15:49:20
Application Type:	Provisional

Payment information:

Submitted with Payment	yes
Payment Type	CARD
Payment was successfully received in RAM	\$ 140
RAM confirmation Number	120418INTEFSW15495600
Deposit Account	
Authorized User	

The Director of the USPTO is hereby authorized to charge indicated fees and credit any overpayment as follows:

File Listing:					
Document Number	Document Description	File Name	File Size(Bytes)/ Message Digest	Multi Part /.zip	Pages (if appl.)
1	Transmittal of New Application	cover.pdf	269445	no	3
			b87cfefc48de5f84237f7b27082dc6ed9dec ef5a		
Warnings:					
Information:					
2	Specification	spec.pdf	93943	no	6
			f54679c528ef39b649e3424fd5220d55647 a92c		
Warnings:					
Information:					
3	Drawings-other than black and white line drawings	figures.pdf	2647493	no	3
			9fdc3255b5717aa0ec99201219d81aa140f4 a97c		
Warnings:					
Information:					
4	Fee Worksheet (SB06)	fee-info.pdf	29611	no	2
			16114e506b25286f25459ff90db691e2367 385b		
Warnings:					
Information:					
Total Files Size (in bytes):			3040492		

This Acknowledgement Receipt evidences receipt on the noted date by the USPTO of the indicated documents, characterized by the applicant, and including page counts, where applicable. It serves as evidence of receipt similar to a Post Card, as described in MPEP 503.

New Applications Under 35 U.S.C. 111

If a new application is being filed and the application includes the necessary components for a filing date (see 37 CFR 1.53(b)-(d) and MPEP 506), a Filing Receipt (37 CFR 1.54) will be issued in due course and the date shown on this Acknowledgement Receipt will establish the filing date of the application.

National Stage of an International Application under 35 U.S.C. 371

If a timely submission to enter the national stage of an international application is compliant with the conditions of 35 U.S.C. 371 and other applicable requirements a Form PCT/DO/EO/903 indicating acceptance of the application as a national stage submission under 35 U.S.C. 371 will be issued in addition to the Filing Receipt, in due course.

New International Application Filed with the USPTO as a Receiving Office

If a new international application is being filed and the international application includes the necessary components for an international filing date (see PCT Article 11 and MPEP 1810), a Notification of the International Application Number and of the International Filing Date (Form PCT/RO/105) will be issued in due course, subject to prescriptions concerning national security, and the date shown on this Acknowledgement Receipt will establish the international filing date of the application.

SCORE Placeholder Sheet for IFW Content

Application Number: 62774564

Document Date: 12/03/2018

The presence of this form in the IFW record indicates that the following document type was received in electronic format on the date identified above. This content is stored in the SCORE database.

Since this was an electronic submission, there is no physical artifact folder, no artifact folder is recorded in PALM, and no paper documents or physical media exist. The TIFF images in the IFW record were created from the original documents that are stored in SCORE.

- Drawing

At the time of document entry (noted above):

- USPTO employees may access SCORE content via eDAN using the Supplemental Content tab, or via the SCORE web page.
- External customers may access SCORE content via PAIR using the Supplemental Content tab.