



(51) International Patent Classification:

G01N 33/543 (2006.01)

(21) International Application Number:

PCT/FI2019/050810

(22) International Filing Date:

14 November 2019 (14.11.2019)

(25) Filing Language:

English

(26) Publication Language:

English

(30) Priority Data:

20186055 05 December 2018 (05.12.2018) FI

(71) Applicant: **TEKNOLOGIAN TUTKIMUSKESKUS**

**VTT OY** [FI/FI]; Vuorimiehentie 3, 02150 Espoo (FI).

(72) Inventors: **HILTUNEN, Jussi**; VTT, Jussi Hiltunen, PL

1100, 90571 Oulu (FI). **SINGH, Prateek**; C/O VTT, PL  
1100, 90571 Oulu (FI).

(74) Agent: **ESPATENT OY**; Kaivokatu 10 D, 00100 Helsinki

(FI).

(81) Designated States (unless otherwise indicated, for every

kind of national protection available): AE, AG, AL, AM,  
AO, AT, AU, AZ, BA, BB, BG, BH, BN, BR, BW, BY, BZ,

CA, CH, CL, CN, CO, CR, CU, CZ, DE, DJ, DK, DM, DO,  
DZ, EC, EE, EG, ES, FI, GB, GD, GE, GH, GM, GT, HN,  
HR, HU, ID, IL, IN, IR, IS, JO, JP, KE, KG, KH, KN, KP,  
KR, KW, KZ, LA, LC, LK, LR, LS, LU, LY, MA, MD, ME,  
MG, MK, MN, MW, MX, MY, MZ, NA, NG, NI, NO, NZ,  
OM, PA, PE, PG, PH, PL, PT, QA, RO, RS, RU, RW, SA,  
SC, SD, SE, SG, SK, SL, SM, ST, SV, SY, TH, TJ, TM, TN,  
TR, TT, TZ, UA, UG, US, UZ, VC, VN, ZA, ZM, ZW.

(84) Designated States (unless otherwise indicated, for every

kind of regional protection available): ARIPO (BW, GH,  
GM, KE, LR, LS, MW, MZ, NA, RW, SD, SL, ST, SZ, TZ,  
UG, ZM, ZW), Eurasian (AM, AZ, BY, KG, KZ, RU, TJ,  
TM), European (AL, AT, BE, BG, CH, CY, CZ, DE, DK,  
EE, ES, FI, FR, GB, GR, HR, HU, IE, IS, IT, LT, LU, LV,  
MC, MK, MT, NL, NO, PL, PT, RO, RS, SE, SI, SK, SM,  
TR), OAPI (BF, BJ, CF, CG, CI, CM, GA, GN, GQ, GW,  
KM, ML, MR, NE, SN, TD, TG).

**Declarations under Rule 4.17:**

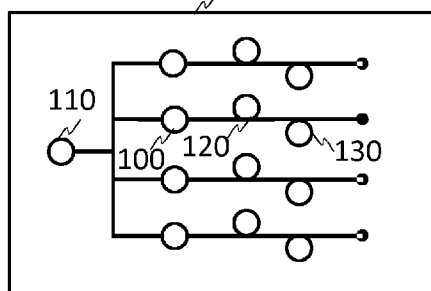
— of inventorship (Rule 4.17(iv))

**Published:**

— with international search report (Art. 21(3))

(54) Title: AFFINITY MEDIATED TRANSPORT AMPLIFICATION

400 410 Fig. 4



(57) Abstract: A method for amplification in a microfluidic assay, comprising binding an analyte (90) to a transport element, wherein the transport element comprises a particle (70) and a first antibody element (80) and the analyte is bound to the first antibody element (80); moving the transport element with the analyte (90) bound thereto towards a tracer storage site (10b) comprising tracer elements, wherein a tracer element comprises a first binder element (30), a label element (40) and a second antibody element (50); binding the analyte to the second antibody element (50); moving the transport element with the analyte (90) and the tracer element bound therewith towards a tracer transport site (10a) comprising second binder elements (20); binding the first binder element (30) with a second binder element (20); moving the transport element with the analyte (90) bound thereto towards the tracer storage site (10b) so that the analyte is detached from the second antibody element (50) of the tracer element while the first binder element (30) remains bound to the second binder element (20); and repeating the steps subsequent to binding the analyte (90) to the transport element a predetermined number of times; wherein the first antibody element (80) has a higher affinity for the analyte (90) than the second antibody element (50). Also a method for detecting an analyte, and an apparatus and a system for a microfluidic assay.



**AFFINITY MEDIATED TRANSPORT AMPLIFICATION****TECHNICAL FIELD**

5           **[0001]** The present application generally relates to analyte detection. In particular, but not exclusively, the present application relates to analyte detection using antibodies. In particular, but not exclusively, the present application relates to an amplification protocol in analyte detection.

10           **BACKGROUND**

**[0002]** This section illustrates useful background information without admission of any technique described herein being representative of the state of the art.

15           **[0003]** Detection of analytes, for example using an immunoassay, with increased sensitivity is increasingly important in many applications, for example in the field of biotechnology and medicine. The desired sensitivity is for detection of even single molecules in a complex mixture. However, currently such desired sensitivity needs to rely on signal amplification since a small amount of molecules or particles,  
20 let alone a single molecule, is usually unable to generate a strong enough signal otherwise.

**[0004]** Currently direct amplification protocols do not exist for most analytes, such as proteins. The existing methods rely on the amplification of the immuno-binding product in an equilibrium state, such as enzymatic amplification. For example, in  
25 immuno-PCR, antigen bound DNA is subsequently amplified by polymerase-chain-reaction (PCR). Another known example is proximity ligation assay (PLA), where also DNA-sequences are also primarily bound with target molecule (protein) and the signal is subsequently amplified with known amplification protocols. As a further example, immunomagnetic separation is previously known to concentrate analyte molecules.

30           **[0005]** Such previously known methods have been described for example in publications: "Immuno-PCR: An ultrasensitive immunoassay for biomolecular detection.". Anal Chim Acta. 2016 Mar 3;910:12-24; "Proximity ligation assays for sensitive and specific protein analyses". Analytical Biochemistry. 345 (1): 2-9 ; and "Magnetic separation techniques in diagnostic microbiology". CLINICAL

MICROBIOLOGY REVIEWS, Jan. 1994, p. 43-54. Furthermore, previous published patent applications WO201150226 and US20130217584 relate to known amplification methods.

5       **[0006]** However, in existing methods, only a single binding cycle takes place. It is the object of the current invention to provide an amplification protocol mitigating the problems of the prior art and increasing sensitivity by multiplying the number of binding events by utilizing affinity mediated transport amplification.

## **SUMMARY**

10

**[0007]** Various aspects of examples of the invention are set out in the claims.

**[0008]** According to a first example aspect of the present invention, there is provided a method for amplification in a microfluidic assay, comprising

15       binding an analyte to a transport element, wherein the transport element comprises a particle and a first antibody element and the analyte is bound to the first antibody element;

      moving the transport element with the analyte bound thereto towards a tracer storage site comprising tracer elements, wherein a tracer element comprises a first binder element, a label element and a second antibody element;

20       binding the analyte to the second antibody element;

      moving the transport element with the analyte and the tracer element bound therewith towards a tracer transport site comprising second binder elements;

      binding the first binder element with a second binder element;

      moving the transport element with the analyte bound thereto towards the tracer storage site so that the analyte is detached from the second antibody element

25       of the tracer element while the first binder element remains bound to the second binder element; and

      repeating the steps subsequent to binding the analyte to the transport element a predetermined number of times; wherein

30       the first antibody element has a higher affinity for the analyte than the second antibody element.

**[0009]** Moving the transport element may comprise causing a force that moves the transport element.

**[0010]** Moving the transport element may comprise causing a magnetic force

and the particles of the transport element may comprise magnetic nanoparticles.

**[0011]** The first binder element may comprise biotin and the second binder element may comprise avidin.

**[0012]** The label element may comprise a fluorescent dye.

5 **[0013]** According to a second example aspect of the present invention, there is provided a method for detecting an analyte in a microfluidic assay, comprising introducing a fluid comprising the analyte to be detected into the assay; carrying out the amplification method of any preceding claims; and subsequently reading out the result of the assay.

10 **[0014]** Reading out the result of the assay may comprise fluorescent excitation and optical detection of the resulting fluorescence.

**[0015]** According to a third example aspect of the present invention, there is provided an apparatus for a microfluidic assay, comprising

15 a microfluidic chip, comprising at least one input port for introducing a fluid containing an analyte, and at least one assay site, the assay site comprising transport elements, a tracer transport site and a tracer storage site; wherein a transport element comprises a particle and a first antibody element and the analyte is bound to the first antibody element;

20 the tracer storage site comprises tracer elements comprising a first binder element, a label element and a second antibody element;

the tracer transport site comprises second binder elements; wherein the transport element is configured to be movable towards the tracer transport site and the tracer storage site; and wherein

25 the first antibody element has a higher affinity for the analyte than the second antibody element.

**[0016]** The particle may comprise a magnetic nanoparticle.

**[0017]** According to a fourth example aspect of the present invention, there is provided a system for a microfluidic assay, comprising

30 the apparatus of any of the third example aspect of the present invention; and a processor configured to cause carrying out the method of the first and/or second example aspect of the present invention.

**[0018]** The system may further comprise a control element configured to provide the force for moving the transport elements and to handle the fluids in the assay.

[0019] The system may further comprise a detection element configured to read out the result of the assay.

[0020] According to a fifth example aspect of the present invention, there is provided a computer program comprising computer code for causing performing the method of the first and/or the second example aspect of the present invention, when executed by an apparatus.

[0021] According to a sixth example aspect of the present invention, there is provided a non-transitory memory medium comprising the computer program of the fifth example aspect of the present invention.

[0022] Different non-binding example aspects and embodiments of the present invention have been illustrated in the foregoing. The embodiments in the foregoing are used merely to explain selected aspects or steps that may be utilized in implementations of the present invention. Some embodiments may be presented only with reference to certain example aspects of the invention. It should be appreciated that corresponding embodiments may apply to other example aspects as well.

## **BRIEF DESCRIPTION OF THE DRAWINGS**

[0023] For a more complete understanding of example embodiments of the present invention, reference is now made to the following descriptions taken in connection with the accompanying drawings in which:

[0024] Fig. 1 shows a schematic principle view of an affinity mediated transport amplification and detection according to an embodiment of the invention;

[0025] Fig. 2 shows a flow chart of an affinity mediated transport amplification and detection according to an embodiment of the invention;

[0026] Fig. 3 shows example readout results of an affinity mediated transport amplification and detection according to an embodiment of the invention;

[0027] Fig. 4 shows a schematic principle view of an apparatus for affinity mediated transport amplification and detection according to an embodiment of the invention; and

[0028] Fig. 5 shows a block view of a system for affinity mediated transport amplification and detection according to an embodiment of the invention.

## **DETAILED DESCRIPTION OF THE DRAWINGS**

**[0029]** The present invention and its potential advantages are understood by referring to Figs. 1 through 5 of the drawings. In this document, like reference signs denote like parts or steps.

5 **[0030]** Fig. 1 shows a schematic principle view of an affinity mediated transport amplification and detection according to an embodiment of the invention. Fig. 1 shows the different phases A-G of the affinity mediated transport amplification and detection. Each phase A-G depicts an amount of same components and accordingly, for reasons of intelligibility, a reference sign is only provided for the first appearance  
10 of any component.

**[0031]** Fig. 1 shows a microfluidic assay site 100. The assay site comprises a tracer transport site 10a and a tracer storage site 10b. Fig. 1 depicts the transport site 10a and the storage site 10b on opposite sides of the assay site in a vertical direction, i.e. on the top and bottom surface, respectively. In a further embodiment, the transport  
15 site 10a and the storage site 10b are positioned on different sides of the assay site 100 in horizontal direction, for example on two opposite side walls. In a still further embodiment, one of the transport site 10a and the storage site 10b is positioned at the top or bottom and the other on a side wall. In a still further embodiment, the transport site 10a and the storage site 10b are positioned on different assay sites on a  
20 microfluidic chip, and the fluid is in an embodiment circulated from one to another as needed.

**[0032]** The assay site comprises in the fluidic medium thereof transporter elements. The transporter elements comprise a particle 70. In an embodiment, the particle comprises a microparticle and/or a nanoparticle. In an embodiment, the  
25 particles 70 comprise magnetic particles configured to be attracted, i.e. movable, by magnetic force. In a further embodiment the particles 70 comprise, instead of or in addition to the magnetic particle, further particles that are configured to be movable for example electrophoretically or diffusively. The transporter elements further comprise on the surface of the particle 70, a first antibody 80 element configured to  
30 have affinity for an analyte to be detected.

**[0033]** The tracer transport site 10a comprises second binder elements 20 on the surface thereof. In an embodiment, the tracer transport site further comprises optical hotspot nanostructures (not shown) configured to localize light used for excitation and comprising the second binder elements 20.

**[0034]** The tracer transport site comprises tracer elements, each tracer element comprising a first binder element 30 configured to have a high affinity for the second binder element 20 in order to form a pair therewith, a label element 40 and a second antibody element 50 configured to have affinity for an analyte to be detected.

5 The second antibody element 50 is configured to have a lower affinity for the analyte to be detected than the first antibody element 80.

**[0035]** The tracer elements are attached to the tracer storage site using an attachment element 60 having a low affinity in such a way that the tracer elements are easily detachable from the tracer storage site 10b. In an embodiment, the attachment  
10 element comprises an antibody, a peptide or an aptamer.

**[0036]** The phase A shown in Fig. 1 depicts the situation prior to the introduction of the analyte to be detected, i.e. prior to the affinity mediated transport amplification according to an embodiment of the invention. At phase B fluid comprising the analyte 90 to be detected is introduced into the assay site. In an embodiment, the  
15 concentration of the analyte 90 is small, i.e. the fluid comprises only a small amount of analyte 90, i.e. only a few molecules or particles. The analyte 90 comprises a molecule, that can be bound with receptor molecules, such as a protein, a microbe or a virus.

**[0037]** The analyte 90 binds with the first antibody element, that has a high  
20 affinity for the analyte and accordingly transport element – analyte pairs are formed at phase B. The following phases C to F comprise phases that are sequentially repeated for the affinity mediated transport amplification according to an embodiment of the invention.

**[0038]** At phase C a force affecting the particles 70 is caused. The direction  
25 in which the force attracts the particles 70 is depicted with an arrow in Fig. 1, the direction of the attraction being towards the tracer storage site 10b shown as shaded in Fig. 1. In an embodiment, the force is a magnetic force caused by a magnetic field. In an embodiment, the magnetic field is caused by a magnet being brought to the proximity of the tracer storage site 10b, or the tracer storage site 10b being brought to  
30 the proximity of a magnet. In a further embodiment, the magnetic field is caused by an electromagnet at or in proximity of the tracer storage site 10b being turned on. In a further embodiment, instead of or in addition to a magnetic field, for example an electric field for electrophoretic transport is used or diffusive effects are caused.

**[0039]** Due to the effect of the force caused on the particle 70, the transport

element moves to the tracer storage site and the analyte 90 bound to the first antibody element 80 is bound to the second antibody element 50 and consequently to the tracer element comprising the second antibody element 50, the first binder element 30 and the label element 40 thus forming a tracer element- analyte-transport element sandwich. In a still further element, instead of a force attracting the particles 70 towards the storage site 10b, the transport element is brought to the transport site by pumping the fluid containing it to the proximity thereof, for example in a situation in which the storage site 10b and the transport site 10a are positioned in separate cuvettes or channels of a microfluidic chip.

**[0040]** At phase D the direction of the force affecting the particles 70 is reversed, so that the transport elements are attracted towards the tracer transport site 10a shown shaded in Fig. 1. The force is generated in the same manner as hereinbefore described with reference to phase C. The attaching element 60 has a low affinity to the second antibody element 50 and accordingly the tracer element detached from the tracer storage site 10b and is pulled towards the tracer transport site 10a together with the analyte 90 and the transport element.

**[0041]** At phase E, the direction of the force remains towards the tracer transport site and consequently, the second binder element 20 and the first binder element 30 having a high affinity towards each other are bound together. Subsequently at phase F the direction of the force affecting the particles 70 is reversed, so that the transport elements are again attracted towards the tracer storage site 10b shown shaded in Fig. 1. The force is generated in the same manner as hereinbefore described with reference to phase C.

**[0042]** Since the affinity of the second antibody element 50 towards the analyte is smaller than that of the first antibody element 80, that between the first 30 and second 20 binder elements and that between the second antibody element 50 and the first binder element, the analyte 90 with the first antibody element 80 and the particle detaches from the tracer element which remains bound to the tracer transport site 10a. Accordingly, the affinity mediated transport amplification has returned to phase C and the phases C to F are repeated predetermined times until enough tracer elements have been bound to the tracer transport site 10a. Should the analyte 90 for some reason detach from the first antibody element during the phases, this error is automatically corrected, as the analyte can be picked up again during subsequent cycles of phases C to F.



**[0043]** At phase G the result of the analyte detection is measured, i.e. phase G comprises a readout phase. The type of readout depends on the type of the label element 40. In an embodiment, the label element 40 comprises a fluorescent label and the readout is carried out by using fluorescent excitation an optical detection of the resulting fluorescence, shown with arrows in Fig. 1. In a further embodiment the readout method is selected from a group of, but not limited thereto, electric methods, for example resistive or capacitive; and optical methods for example using scattering, color changes or raman spectroscopy.

**[0044]** In an embodiment, the affinity mediated transport amplification and detection method according to an embodiment of the invention comprises further phases prior to or after the phases explained hereinbefore. In an embodiment, such phases comprise for example pretreatment and further detection.

**[0045]** Fig. 2 shows a flow chart of an affinity mediated transport amplification and detection according to an embodiment of the invention. The steps 210-270 correspond to the phases A-G shown in Fig. 1 and explained hereinbefore with reference thereto.

**[0046]** At step 210 the method is started, i.e. the assay is at its basic state and the fluid containing the analyte 90 is introduced. At step 220 the analyte 90 is bound to the transport element by binding with the first antibody element 80.

**[0047]** At step 230 the analyte 90 is transported together with the transport element towards the tracer storage site 10a as hereinbefore described with reference to Fig. 1 and the analyte 90 binds with the second antibody element 50 of the tracer element, which tracer element is then detached from the tracer storage site 10b at step 240 and transported as hereinbefore described with reference to Fig. 1 together with the transport element and analyte 90 towards the tracer transport site 10a.

**[0048]** At step 250 the first binder element 30 binds with the second binder element 20 of the tracer transport site 10a and subsequently the analyte 90 detaches from the second antibody element and is again transported as hereinbefore described with reference to Fig. 1 with the transport element towards the tracer storage site 10b. The steps 230 to 260 are repeated a predetermined number of times in a cycle to ensure the amplification. The number of repetitions, i.e. the number of cycles is dependent on the analyte and the concentration thereof and on the other elements used.

**[0049]** Fig. 3 shows example readout results of an affinity mediated transport

amplification and detection according to an embodiment of the invention. In the example, the analyte 90 comprised C reactive protein (CRP). The second antibody element 50 comprised a CRP antibody having an association constant  $K_A$  of  $1,4 \times 10^{10}$  1/M. The first antibody element 80 comprised a CRP antibody having an association constant  $K_A$  of  $3,9 \times 10^{10}$  1/M. The attachment element 60 comprises saccharide, the second binder element 20 comprised avidin, the first binder element comprised biotin and the label element comprised Alexa AF647 Fluorescent dye. The particles 70 comprised magnetic nanoparticles and the magnetic field was generated by bringing a permanent magnet into proximity of the tracer storage site 10b or the tracer transport site 10a. The method was carried out in a microfluidic chip with 10 amplification cycles, i.e. the phases C-F of Fig. 1 were carried out 10 times, with fluorescent excitation and readout. The left side image 300 of Fig. 3 shows a positive detection of analyte CRP after 10 cycles. The middle image 310 of Fig. 3 shows a first negative control with influence of unspecific binding showing in the image, i.e. the 10 cycles were carried out without the analyte CRP. The right side image 320 of Fig. 3 shows a second negative control with influence of diffusive tracer transport, i.e. the readout was carried out without the amplification cycles.

**[0050]** Fig. 4 shows a schematic principle view of an apparatus 400 for affinity mediated transport amplification and detection according to an embodiment of the invention. In an embodiment, the apparatus 400 comprises a microfluidic chip 410 as depicted schematically. In a further embodiment, the apparatus comprises a further structure in which the necessary fluidic structures are provided.

**[0051]** Fig. 4 shows the microfluidic chip 410 comprising fluid channels depicted with black lines. Furthermore, Fig. 4 shows assay sites, or cuvettes depicted as rings. Fig. 4 shows several branches of fluidic channels for carrying out operations. In Fig. 4, each channel has the same structure and accordingly, the reference signs are provided for a single channel only for reasons of intelligibility.

**[0052]** The microfluidic chip 410 comprises an input port 110 configured to allow insertion of fluids containing the transport elements of the affinity mediated transport amplification according to an embodiment of the invention into the chip and to allow the fluid containing an analyte to be inserted into the chip. Although a single input port 110 is shown, in an embodiment the microfluidic chip comprises several.

**[0053]** The microfluidic chip 410 further comprises assay sites 100 configured for carrying out the affinity mediated transport amplification and detection as

hereinbefore described. The assay sites 100 comprise the tracer transport site 10a and tracer storage site 10b as hereinbefore described. The microfluidic chip further comprises, in an embodiment, an element (not shown) configured to provide the force for attracting the transport elements as hereinbefore described, such as a magnet or electric field generator. In a still further embodiment, the tracer transport site 10a and the tracer storage site 10b are situated in separate assay elements and fluidly connected, in which embodiment, the microfluidic chip comprises for example a pump (not shown) for moving fluid therebetween. It is to be noted that the microfluidic structures used are per se known to a skilled person.

**[0054]** In an embodiment, the microfluidic chip comprises further assay sites 120,130. Even though two further assay sites have been depicted, the microfluidic chip may comprise one or more further assay sites. The further assay sites are in an embodiment configured e.g. for further tests.

**[0055]** Fig. 5 shows a block view of a system for affinity mediated transport amplification and detection according to an embodiment of the invention. The system 500 comprises an apparatus 400 for affinity mediated transport amplification and detection according to an embodiment of the invention as hereinbefore described. The apparatus 400 comprises or is connected with a control element 420 comprising the elements, for example magnets, for providing the force needed for attracting the transporter elements as hereinbefore described and fluid handling elements. The apparatus 400 further comprises or is connected with a detection element 430 for reading the result of the affinity mediated transport amplification assay as hereinbefore described. In an embodiment, the system 500 comprises more than one apparatus 400 according to an embodiment of the invention.

**[0056]** The system 700 further comprises electronics configured to control the operations of the system and apparatus, to carry out calculations and to cause carrying out the steps of the method according to the invention. The system 500, in an embodiment, comprises a memory 540 and a processor 520. The processor 520 is, in an embodiment, configured to control the apparatus 400 and to cause storing the data into the memory 540. The processor 520 is further configured to cause controlling of the operation of the system 500 and the apparatus 400 using a non-transitory computer program code stored in the memory 540.

**[0057]** In a further embodiment, the system 500 comprises a communication unit 510 comprising, for example, a local area network (LAN) port; a wireless local

area network (WLAN) unit; Bluetooth unit; cellular data communication unit; near field communication unit or satellite data communication unit. The system 500 further comprises a power source, such as a battery 550 or a connection to external power.

5 **[0058]** In a further embodiment the system 500 comprises a user interface unit 530 comprising for example a display or a touch display for showing the measurement result. In a still further embodiment, the system 500 comprises, or is comprised in, a personal electronic device such as a laptop computer, a tablet computer or a personal computer and configured to co-operate with the apparatus 400. In an embodiment, the system 500 is comprised in a larger entity, such as a  
10 control system of a laboratory or field test unit.

**[0059]** Without in any way limiting the scope, interpretation, or application of the claims appearing below, a technical effect of one or more of the example embodiments disclosed herein is the provision of an amplification without amplification of background noise. Another technical effect of one or more of the example  
15 embodiments disclosed herein is robust amplification with in-built error correction. Another technical effect of one or more of the example embodiments disclosed herein is the provision of a detection of very small analyte concentrations, even single molecules.

**[0060]** Although various aspects of the invention are set out in the  
20 independent claims, other aspects of the invention comprise other combinations of features from the described embodiments and/or the dependent claims with the features of the independent claims, and not solely the combinations explicitly set out in the claims.

**[0061]** It is also noted herein that while the foregoing describes example  
25 embodiments of the invention, these descriptions should not be viewed in a limiting sense. Rather, there are several variations and modifications which may be made without departing from the scope of the present invention as defined in the appended claims.

**CLAIMS**

1. A method for amplification in a microfluidic assay for analyte detection,  
comprising
  - 5 binding an analyte (90) to a transport element, wherein the transport element comprises a particle (70) and a first antibody element (80) and the analyte is bound to the first antibody element (80);  
moving the transport element with the analyte (90) bound thereto towards a tracer storage site (10b) comprising tracer elements, wherein a tracer  
10 element comprises a first binder element (30), a label element (40) and a second antibody element (50);  
binding the analyte to the second antibody element (50);  
moving the transport element with the analyte (90) and the tracer element bound therewith towards a tracer transport site (10a) comprising second  
15 binder elements (20);  
binding the first binder element (30) with a second binder element (20);  
moving the transport element with the analyte (90) bound thereto towards the tracer storage site (10b) so that the analyte is detached from the second antibody element (50) of the tracer element while the first binder element  
20 (30) remains bound to the second binder element (20); and  
repeating the steps subsequent to binding the analyte (90) to the transport element a predetermined number of times; wherein  
the first antibody element (80) has a higher affinity for the analyte (90) than the second antibody element (50);  
25 the second antibody element (50) has a higher affinity for the analyte (90) than for the tracer storage site (10b); and  
the affinity of the second antibody element (50) towards the analyte (90) is smaller than that between the first (30) and second (20) binder elements and that between the second antibody element (50) and the first binder element (30).  
30
2. The method of claim 1, wherein moving the transport element comprises causing a force that moves the transport element.

3. The method of claim 1 or 2, wherein moving the transport element comprises causing a magnetic force and the particles (70) of the transport element comprise magnetic nanoparticles (70).
- 5 4. The method of any preceding claim, wherein the first binder element (30) comprises biotin and the second binder element (20) comprises avidin.
5. The method of any preceding claim, wherein the label element (40) comprises a fluorescent dye.
- 10 6. A method for detecting an analyte in a microfluidic assay, comprising  
introducing a fluid comprising the analyte (90) to be detected into the  
assay;  
carrying out the amplification method of any preceding claims; and  
15 subsequently  
reading out the result of the assay.
7. The method of claim 6, wherein reading out the result of the assay comprises fluorescent excitation and optical detection of the resulting fluorescence.
- 20 8. An apparatus for a microfluidic assay for analyte detection, comprising  
a microfluidic chip (410), comprising at least one input port (110) for  
introducing a fluid containing an analyte (90), and at least one assay site (100),  
the assay site comprising transport elements, a tracer transport site (10a) and a  
25 tracer storage site (10b); wherein  
a transport element comprises a particle (70) and a first antibody  
element (80) and the analyte is bound to the first antibody element (80);  
the tracer storage site (10b) comprises tracer elements comprising a  
second antibody element (50) bound to a first binder element (30) and a label  
30 element (40);  
the tracer transport site (10a) comprises second binder elements (20) for  
binding with a first binder element (30); **characterized** in that  
the transport element is configured to be movable towards the tracer  
transport site (10a) and the tracer storage site (10b); and in that

the first antibody element (80) has a higher affinity for the analyte (90) than the second antibody element (50);

the second antibody element (50) has a higher affinity for the analyte (90) than for the tracer storage site (10b); and

5 the affinity of the second antibody element (50) towards the analyte (90) is smaller than that between the first (30) and second (20) binder elements and that between the second antibody element (50) and the first binder element (30).

10 9. The apparatus of claim 8, wherein the particle (70) comprises a magnetic nanoparticle.

10. A system for a microfluidic assay for analyte detection, comprising  
the apparatus of any of the claims 8-9; and  
a processor configured to cause carrying out the method of any of the  
15 claims 1-7.

11. The system of claim 10 further comprising a control element (410) configured to provide the force for moving the transport elements and to handle the fluids in the  
20 assay.

12. The system of claim 10 or 11, further comprising a detection element (430) configured to read out the result of the assay.

25

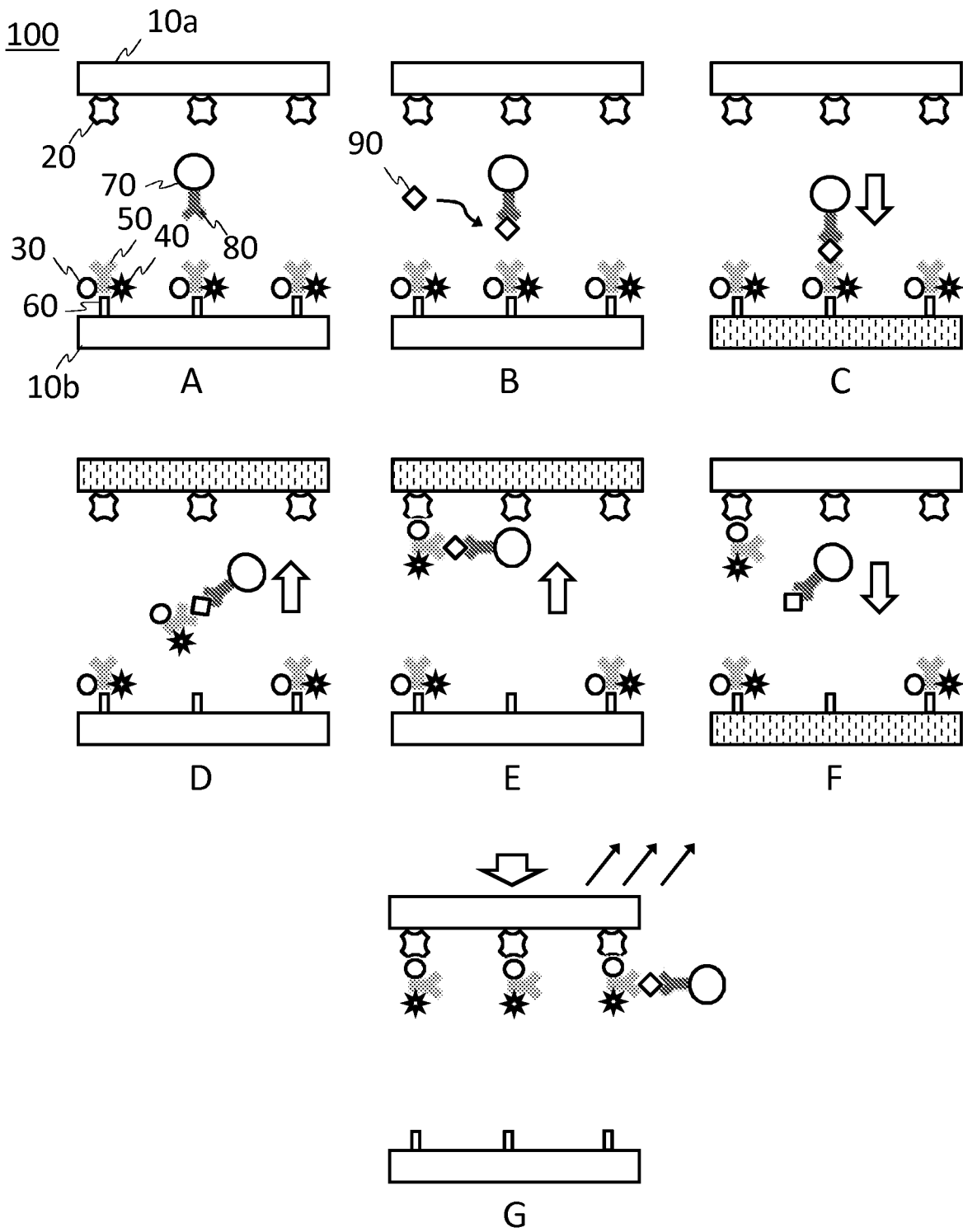


Fig. 1



2 / 3

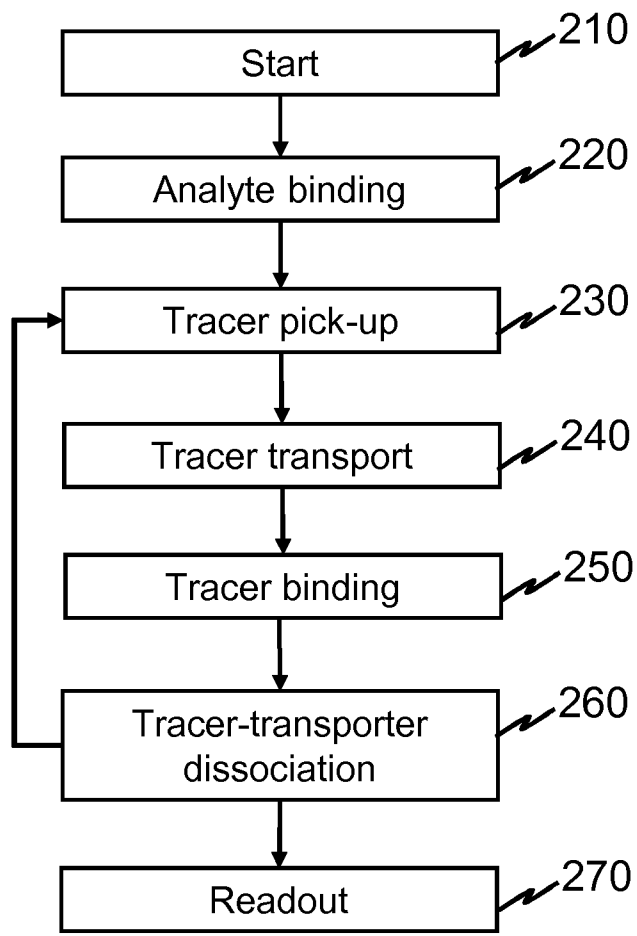


Fig. 2

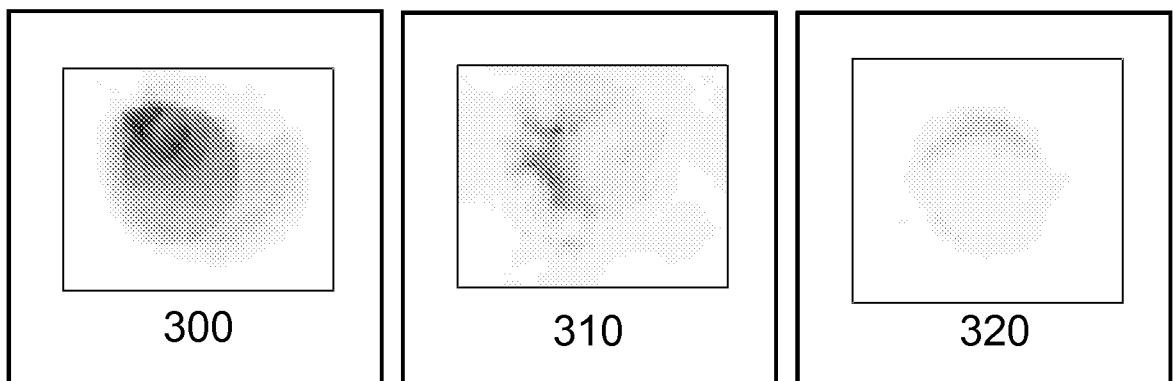


Fig. 3

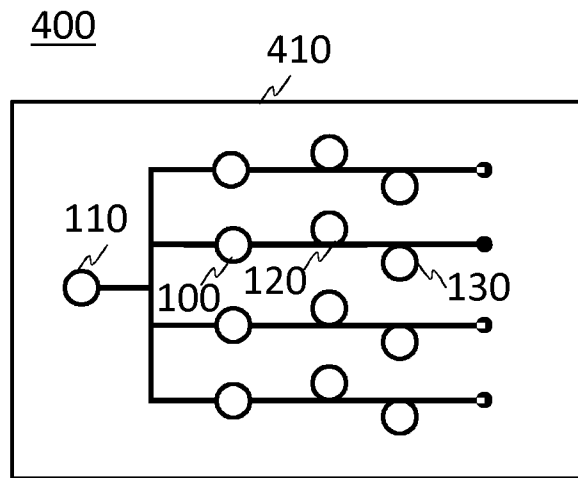


Fig. 4

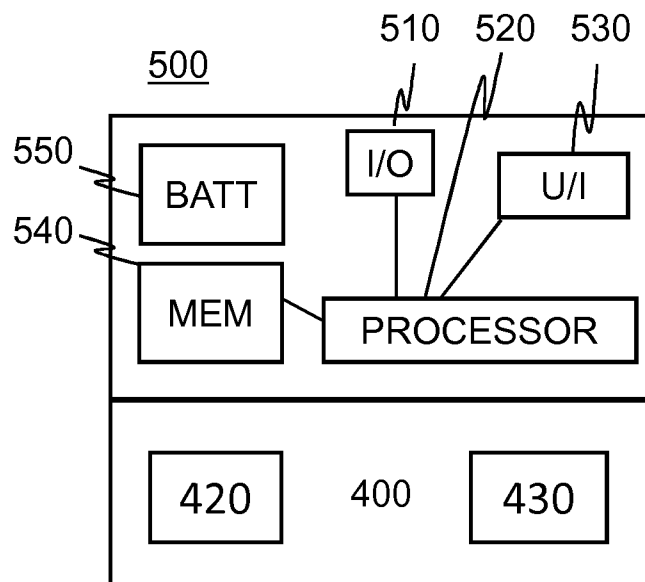


Fig. 5

INTERNATIONAL SEARCH REPORT

International application No  
PCT/FI2019/050810

A. CLASSIFICATION OF SUBJECT MATTER  
INV. G01N33/543  
ADD.  
According to International Patent Classification (IPC) or to both national classification and IPC

B. FIELDS SEARCHED  
Minimum documentation searched (classification system followed by classification symbols)  
G01N

Documentation searched other than minimum documentation to the extent that such documents are included in the fields searched

Electronic data base consulted during the international search (name of data base and, where practicable, search terms used)  
EPO-Internal, BIOSIS, EMBASE, WPI Data

C. DOCUMENTS CONSIDERED TO BE RELEVANT

Category*	Citation of document, with indication, where appropriate, of the relevant passages	Relevant to claim No.
X	WO 2012/016357 A1 (CAPITALBIO CORP [CN]; UNIV TSINGHUA [CN] ET AL.) 9 February 2012 (2012-02-09) abstract; claims 1,2,6-9,26,27 & US 2013/217584 A1 (ZHANG GUANBIN [CN] ET AL) 22 August 2013 (2013-08-22) cited in the application	1-12
A	WO 2007/110779 A2 (INVERNESS MEDICAL SWITZERLAND [CH]; LOWE PHILLIP [GB] ET AL.) 4 October 2007 (2007-10-04) abstract; claim 1	1-12

Further documents are listed in the continuation of Box C.

See patent family annex.

\* Special categories of cited documents :

- "A" document defining the general state of the art which is not considered to be of particular relevance
- "E" earlier application or patent but published on or after the international filing date
- "L" document which may throw doubts on priority claim(s) or which is cited to establish the publication date of another citation or other special reason (as specified)
- "O" document referring to an oral disclosure, use, exhibition or other means
- "P" document published prior to the international filing date but later than the priority date claimed

- "T" later document published after the international filing date or priority date and not in conflict with the application but cited to understand the principle or theory underlying the invention
- "X" document of particular relevance; the claimed invention cannot be considered novel or cannot be considered to involve an inventive step when the document is taken alone
- "Y" document of particular relevance; the claimed invention cannot be considered to involve an inventive step when the document is combined with one or more other such documents, such combination being obvious to a person skilled in the art
- "&" document member of the same patent family

Date of the actual completion of the international search <b>27 January 2020</b>	Date of mailing of the international search report <b>03/02/2020</b>
---	---

Name and mailing address of the ISA/ European Patent Office, P.B. 5818 Patentlaan 2 NL - 2280 HV Rijswijk Tel. (+31-70) 340-2040, Fax: (+31-70) 340-3016	Authorized officer <b>Gundlach, Björn</b>
--	--

# INTERNATIONAL SEARCH REPORT

Information on patent family members

International application No PCT/FI2019/050810
---

Patent document cited in search report	Publication date	Patent family member(s)	Publication date
WO 2012016357	A1	09-02-2012	EP 2601307 A1 12-06-2013
			US 2013217584 A1 22-08-2013
			WO 2012016357 A1 09-02-2012
-----			
WO 2007110779	A2	04-10-2007	AU 2007231030 A1 04-10-2007
			CA 2645622 A1 04-10-2007
			CN 201596509 U 06-10-2010
			CN 201926660 U 10-08-2011
			EP 2010321 A2 07-01-2009
			GB 2436616 A 03-10-2007
			GB 2446309 A 06-08-2008
			JP 3157523 U 25-02-2010
			US 2011053289 A1 03-03-2011
			US 2018059105 A1 01-03-2018
			WO 2007110779 A2 04-10-2007
-----			