

FIG. 1

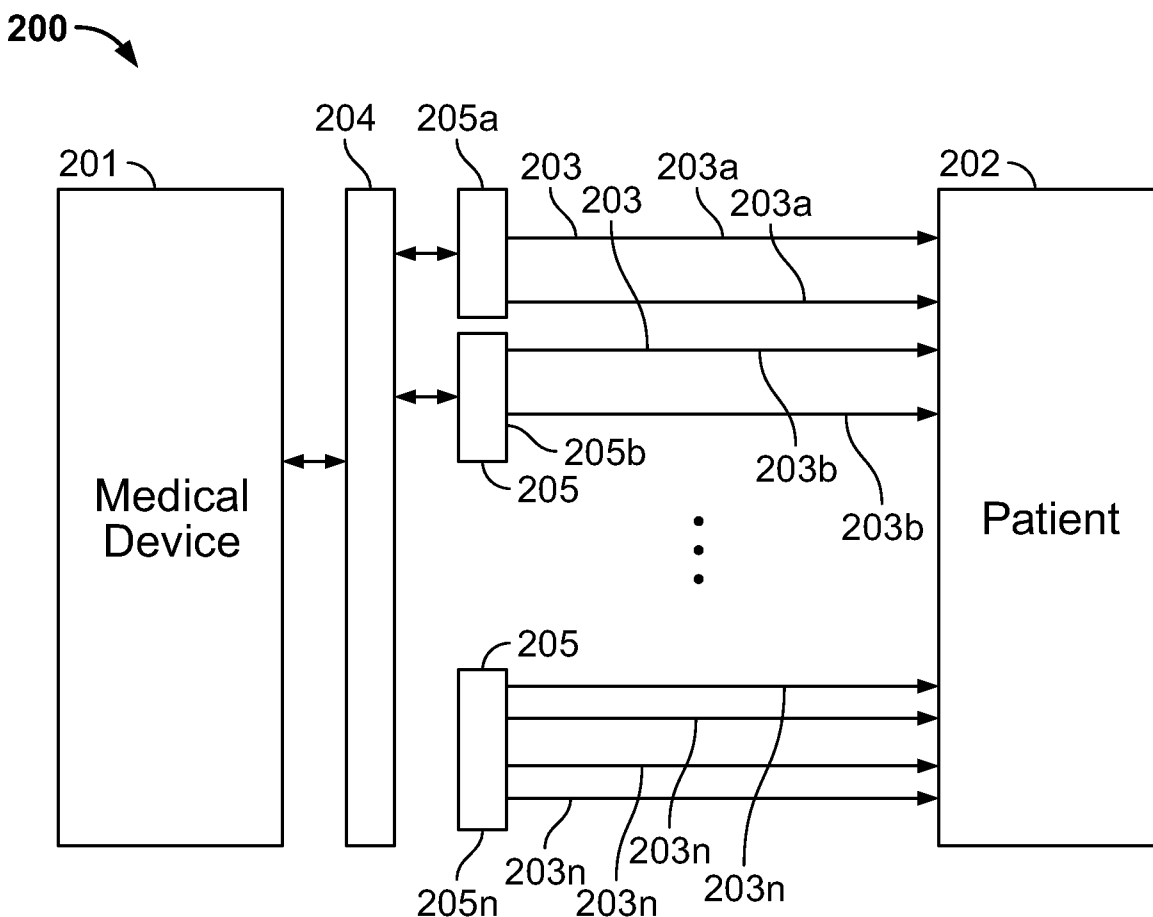


FIG. 2

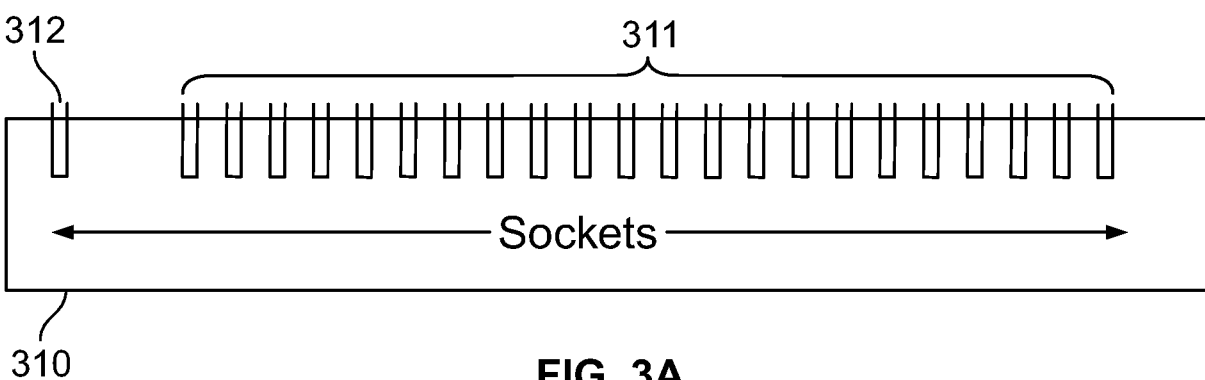
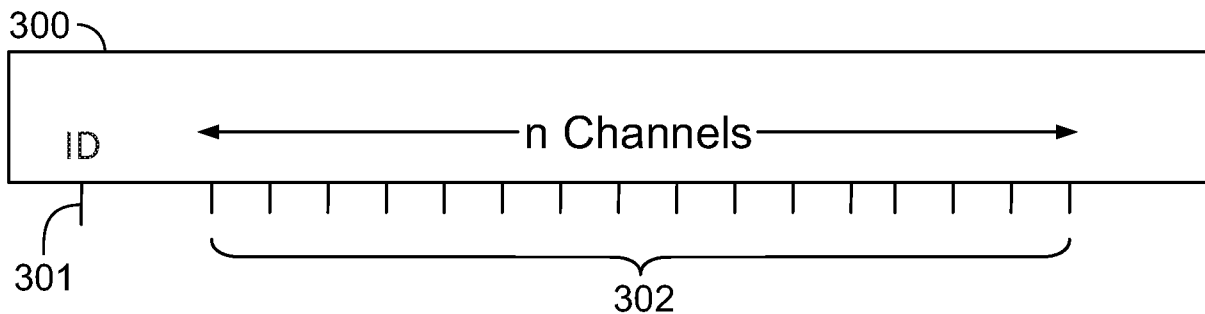


FIG. 3A

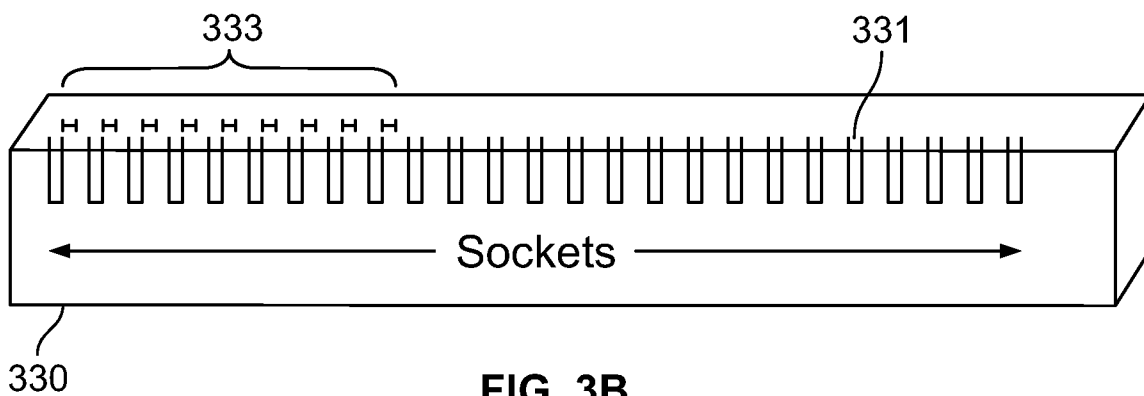
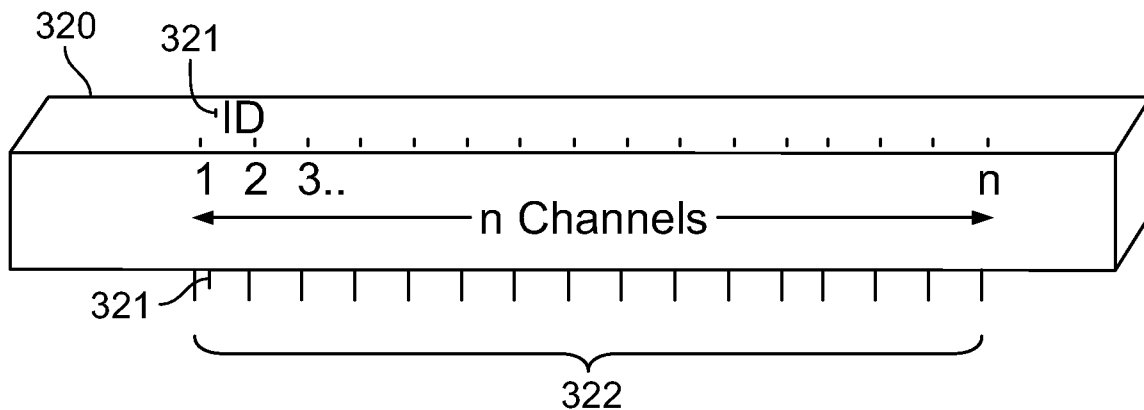


FIG. 3B

300c

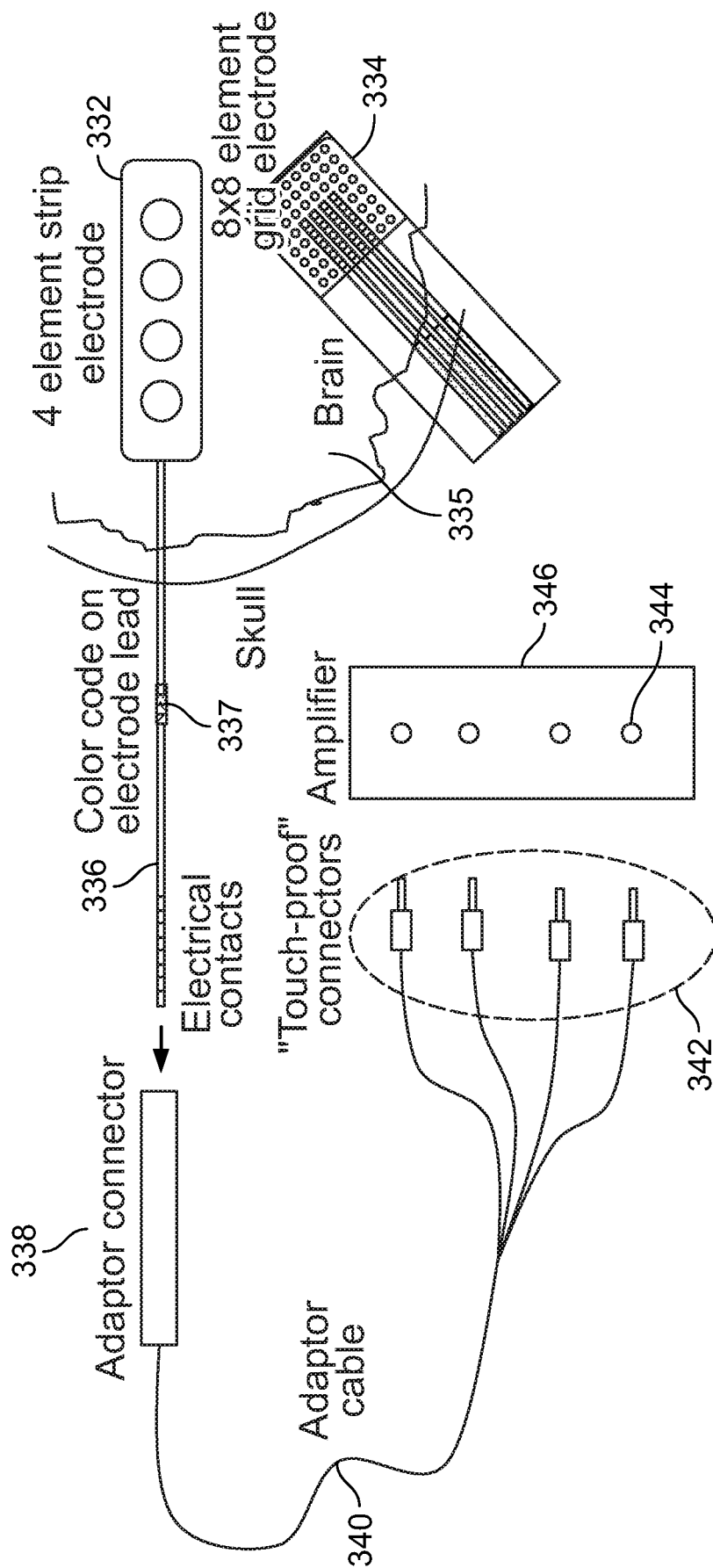


FIG. 3C  
(Prior Art)

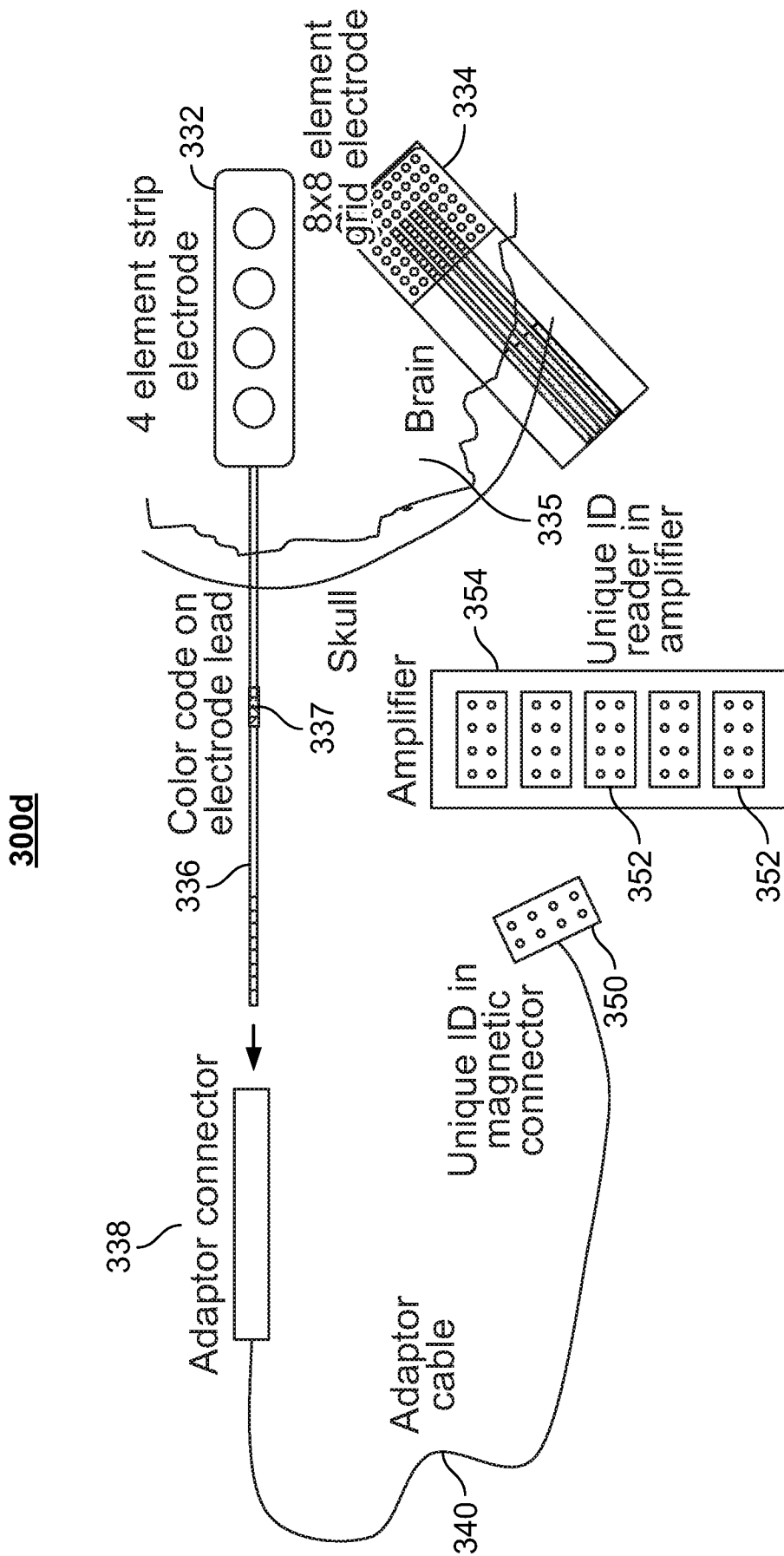


FIG. 3D

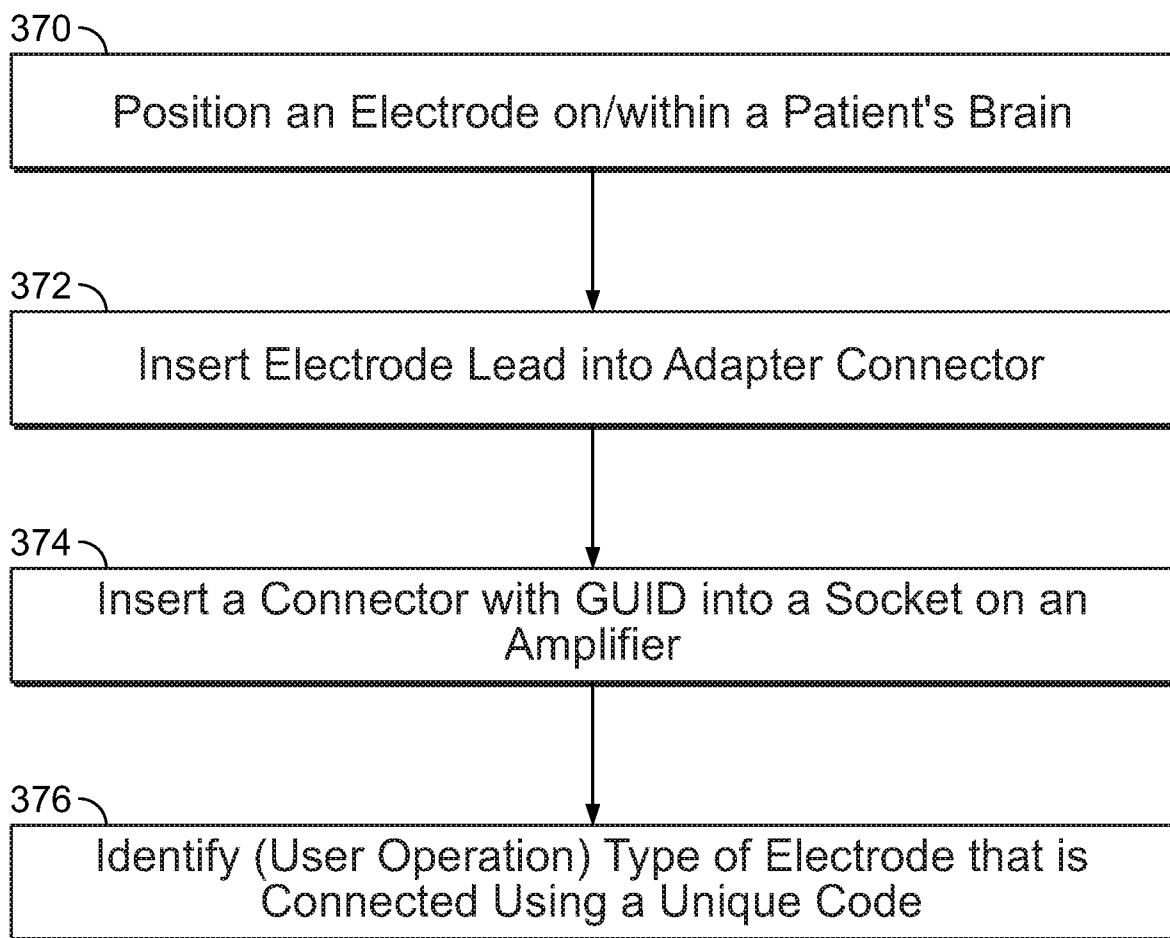


FIG. 3E

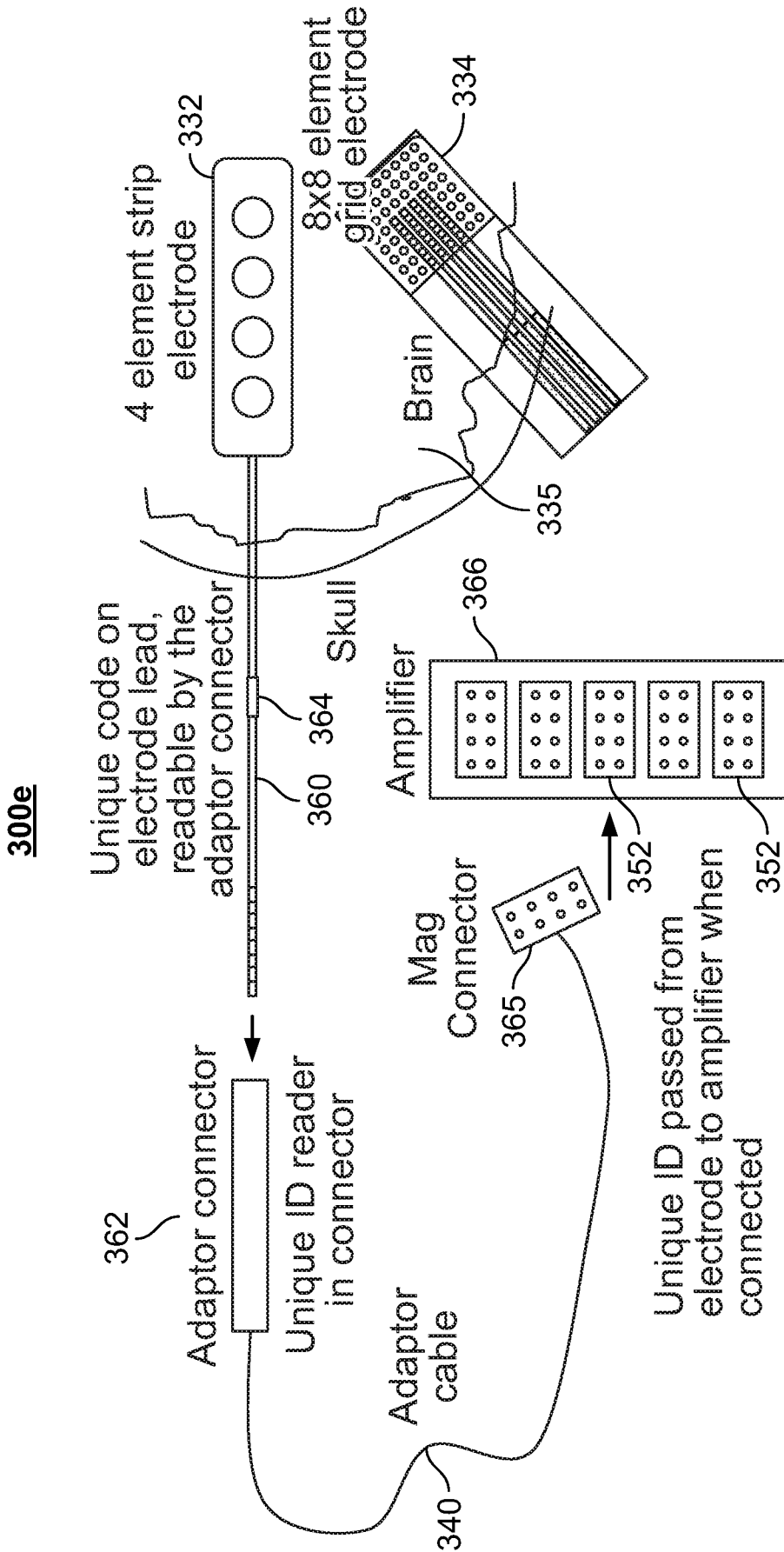


FIG. 3F

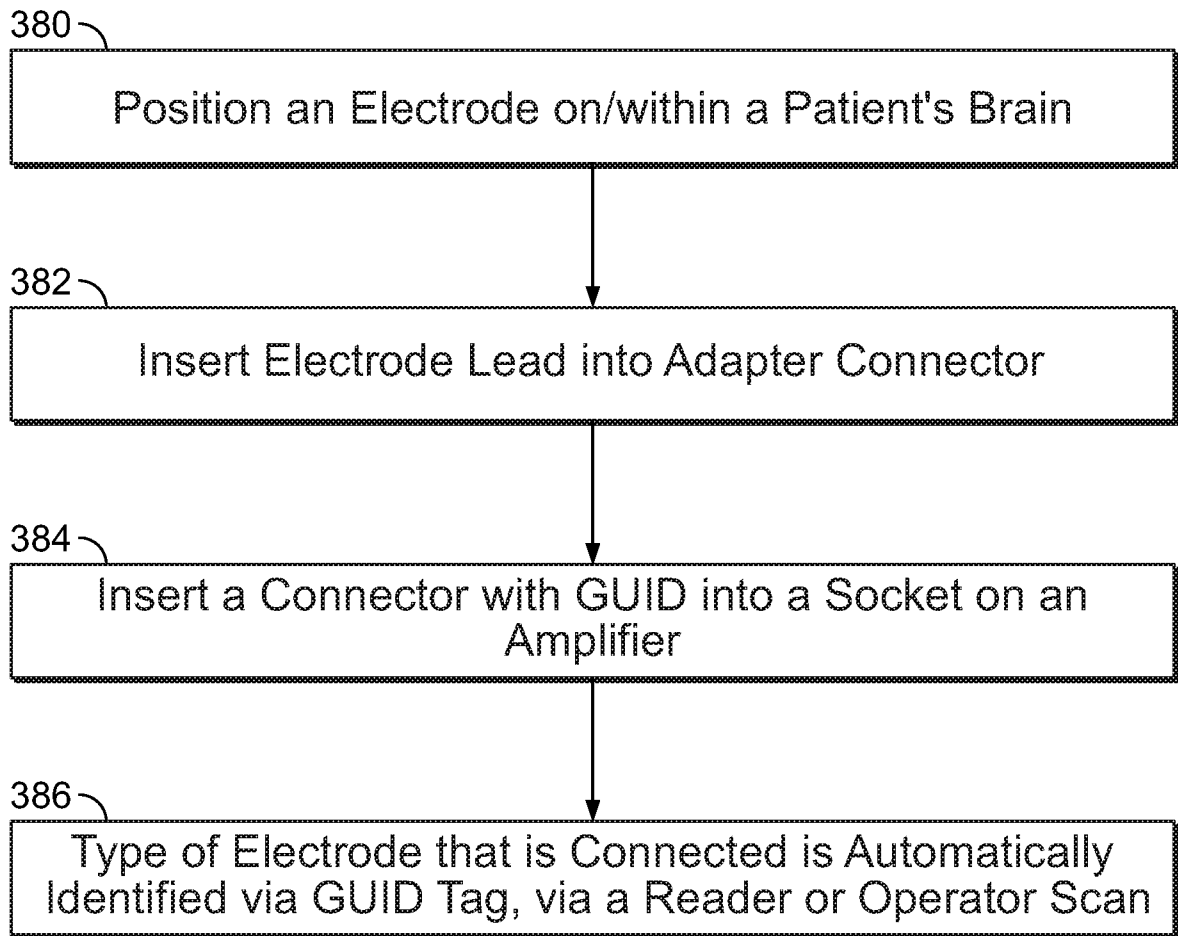


FIG. 3G

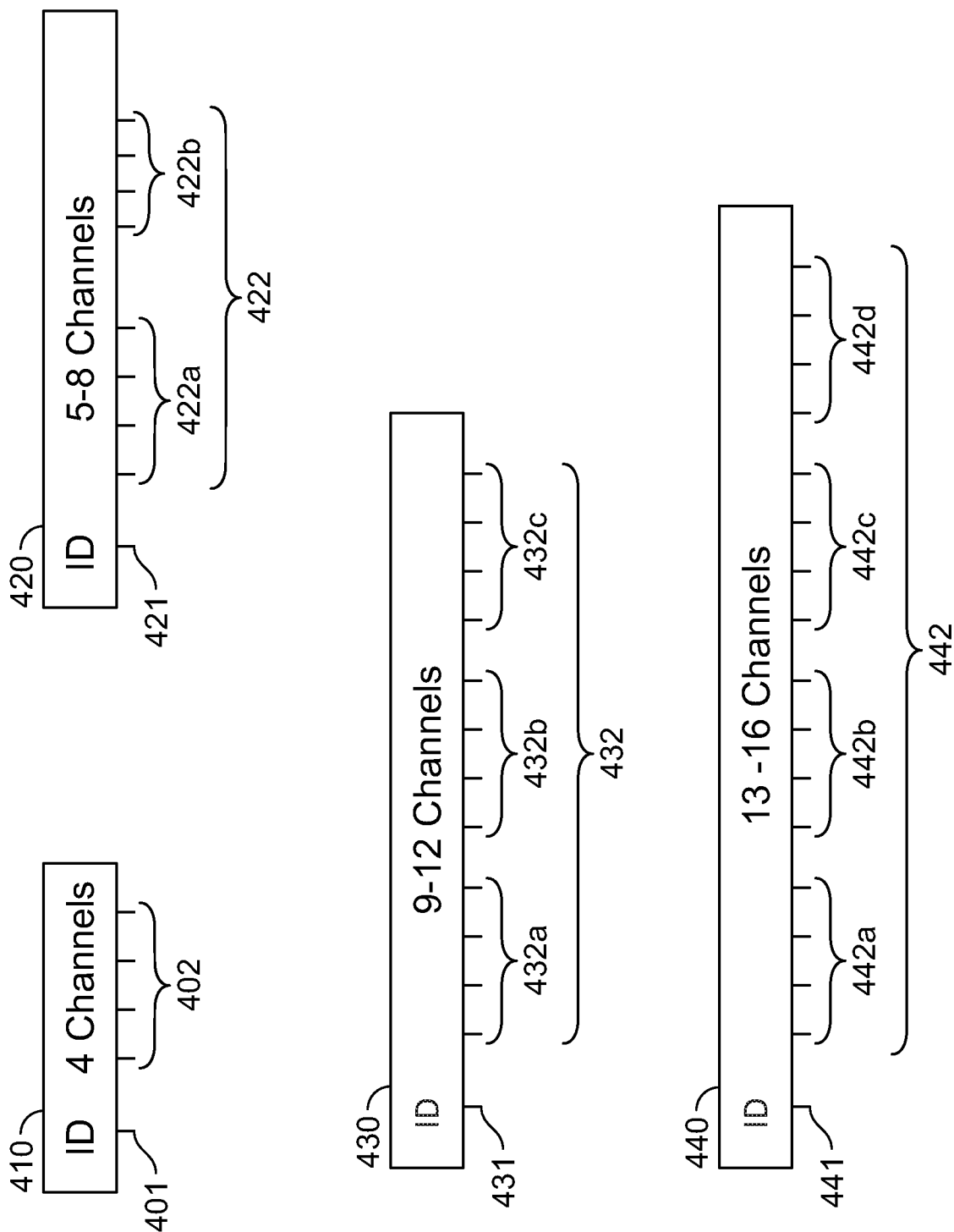


FIG. 4A



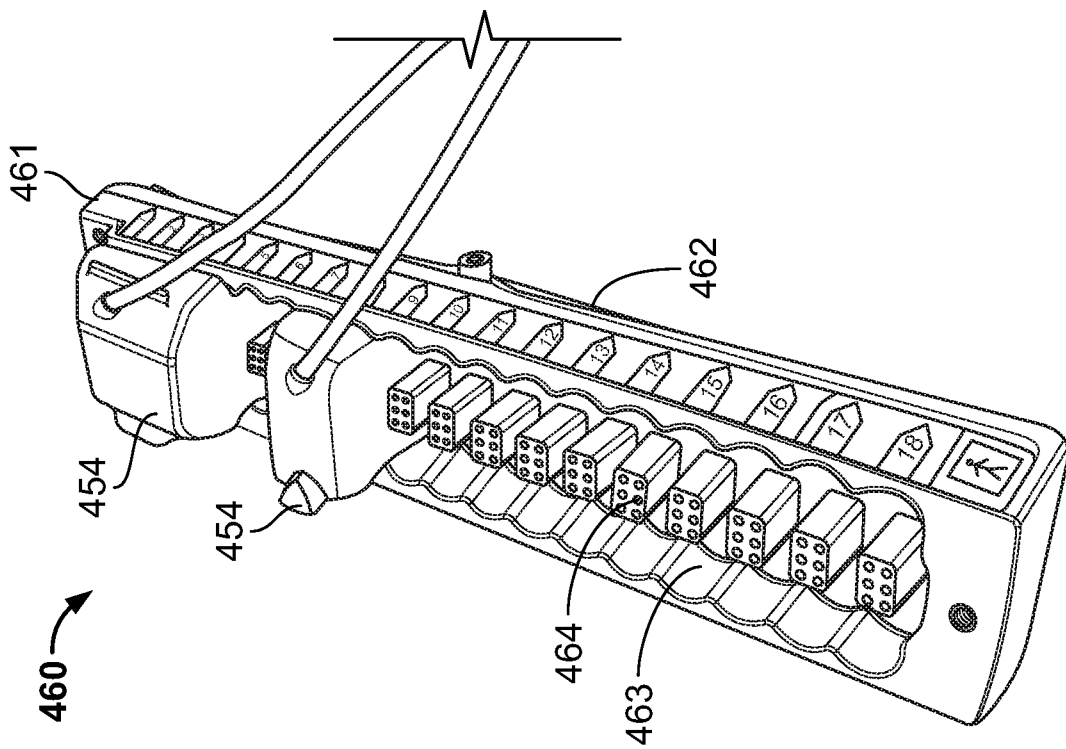
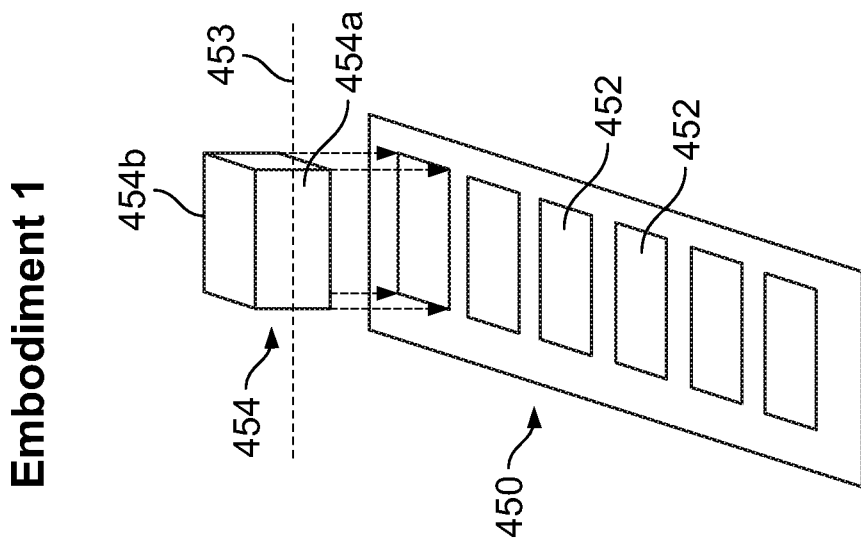


FIG. 4C

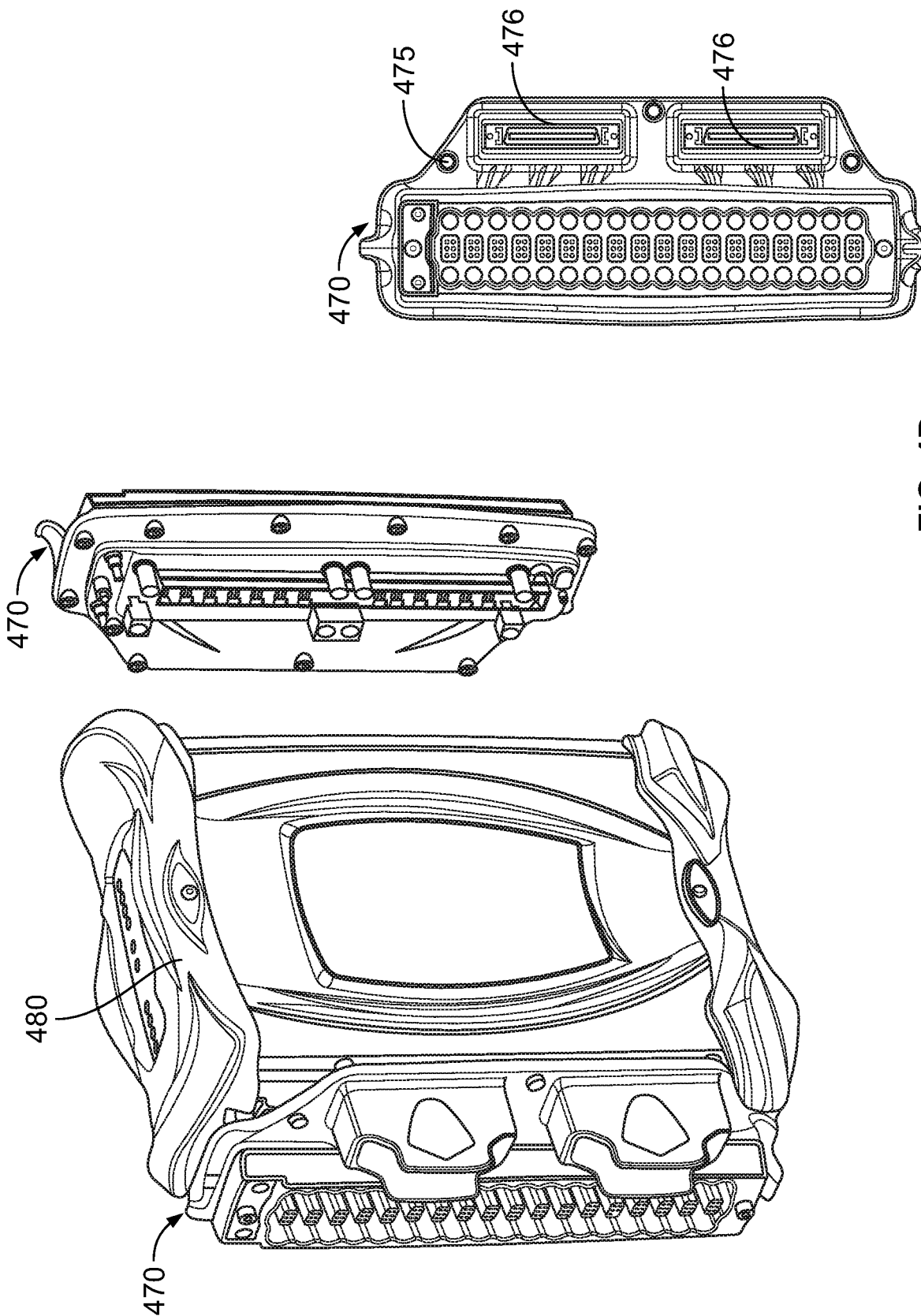


Embodiment 1

FIG. 4B

Title: System and Method for High Density Electrode Management  
Applicant: Cadwell Laboratories, Inc. Application Number: PCT/US19/63793  
Attorney Docket Number: CAD800CIP.PCT

10/19



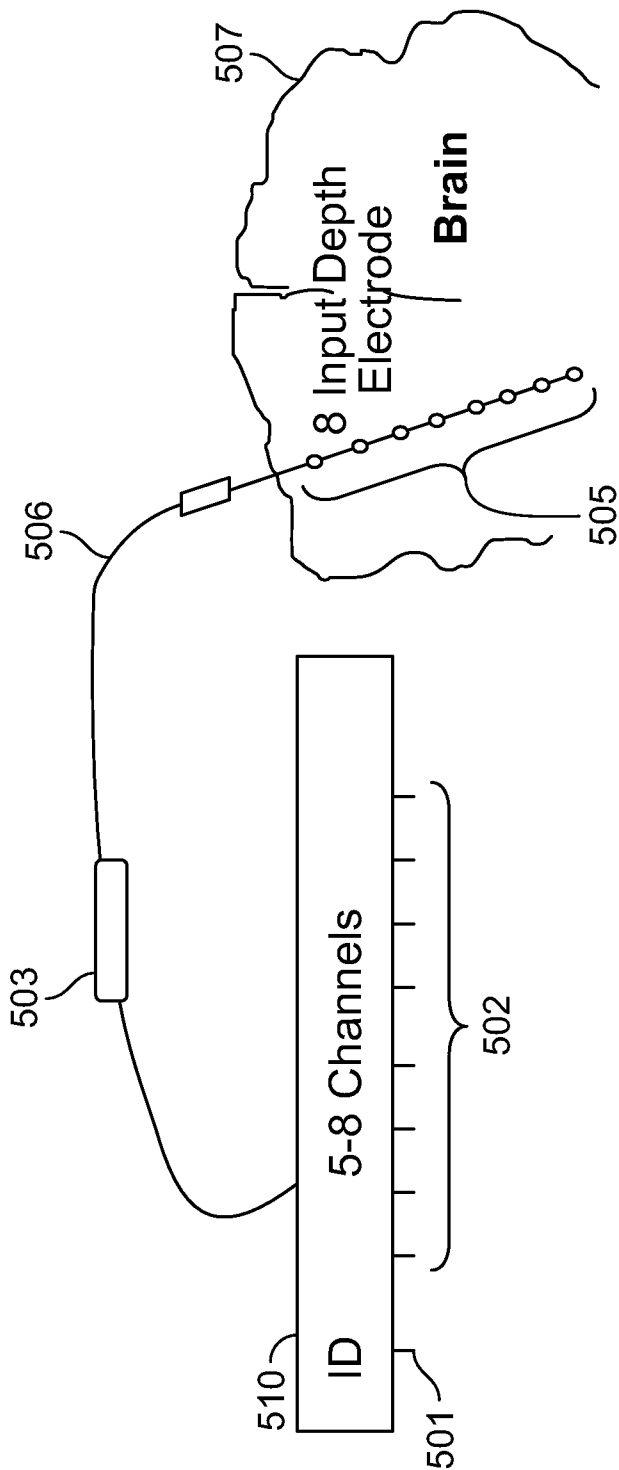


FIG. 5A

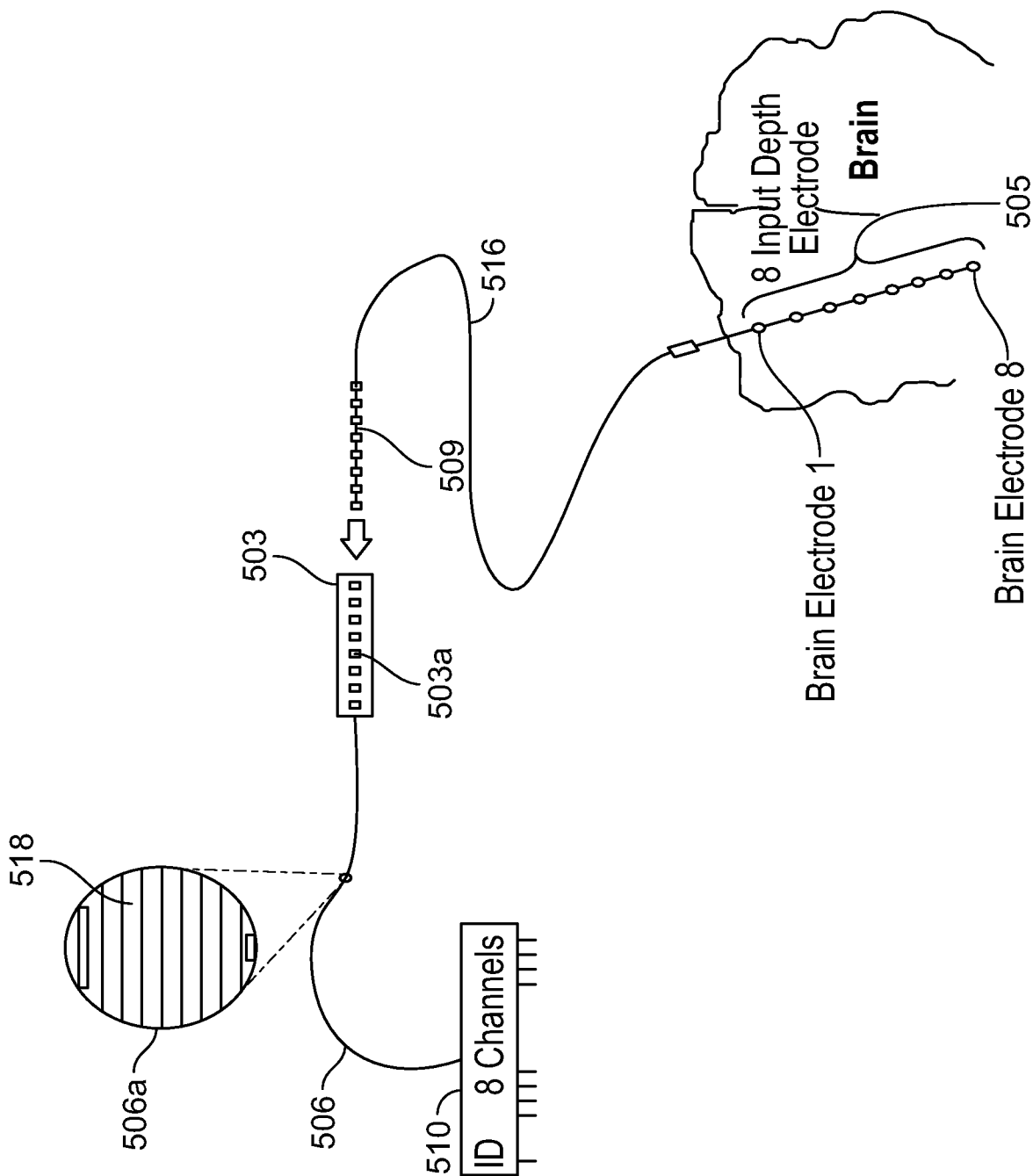


FIG. 5B

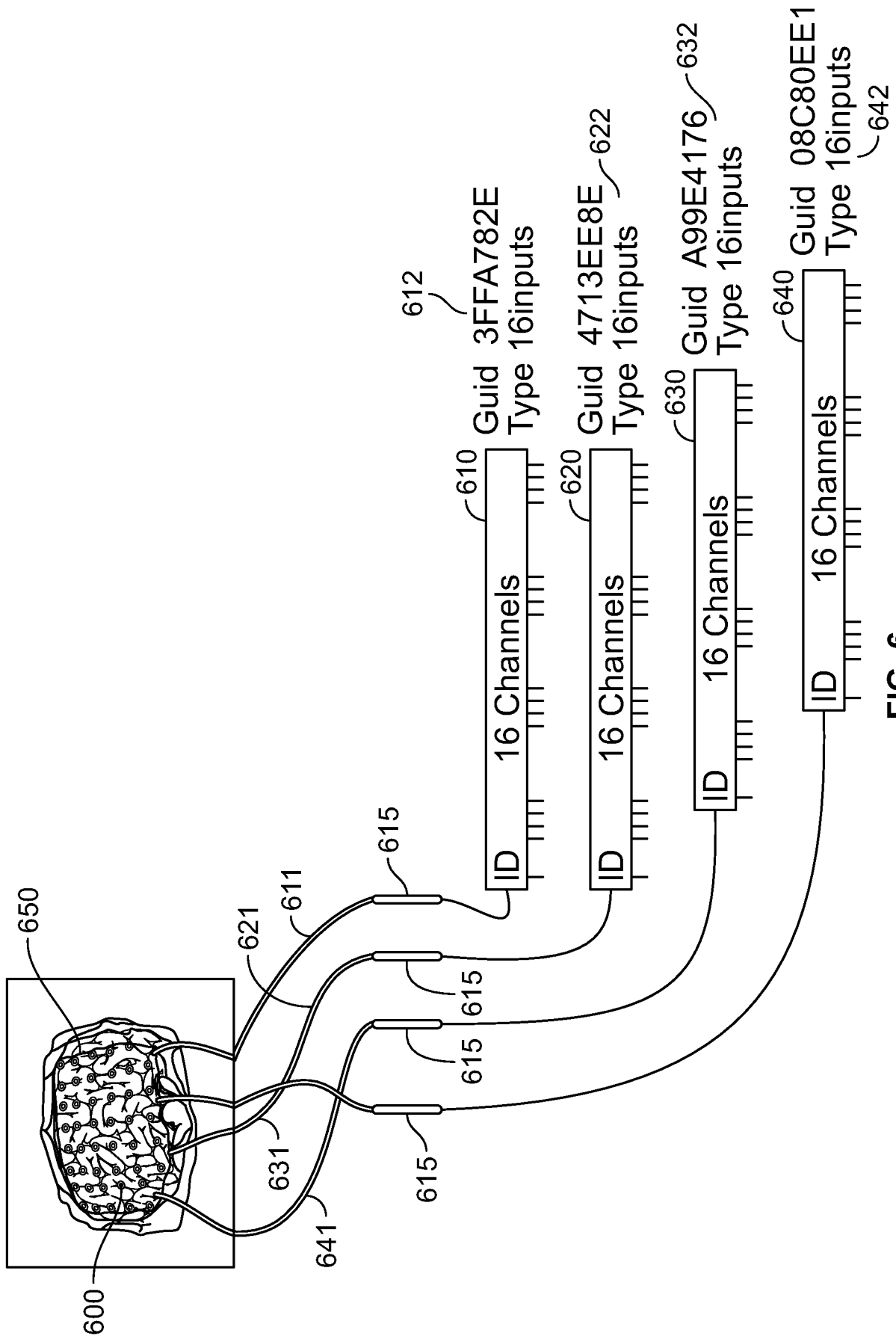


FIG. 6

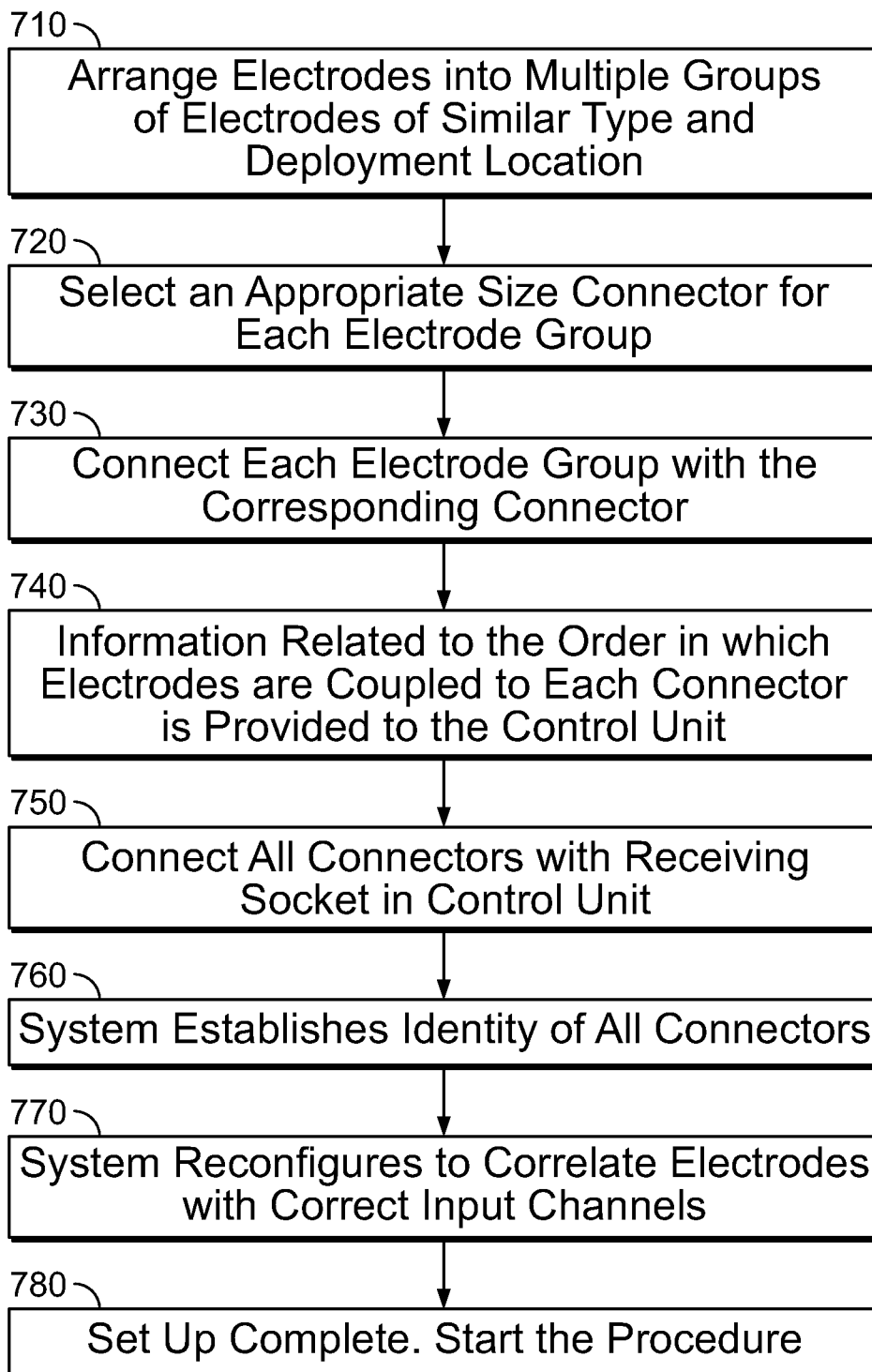


FIG. 7

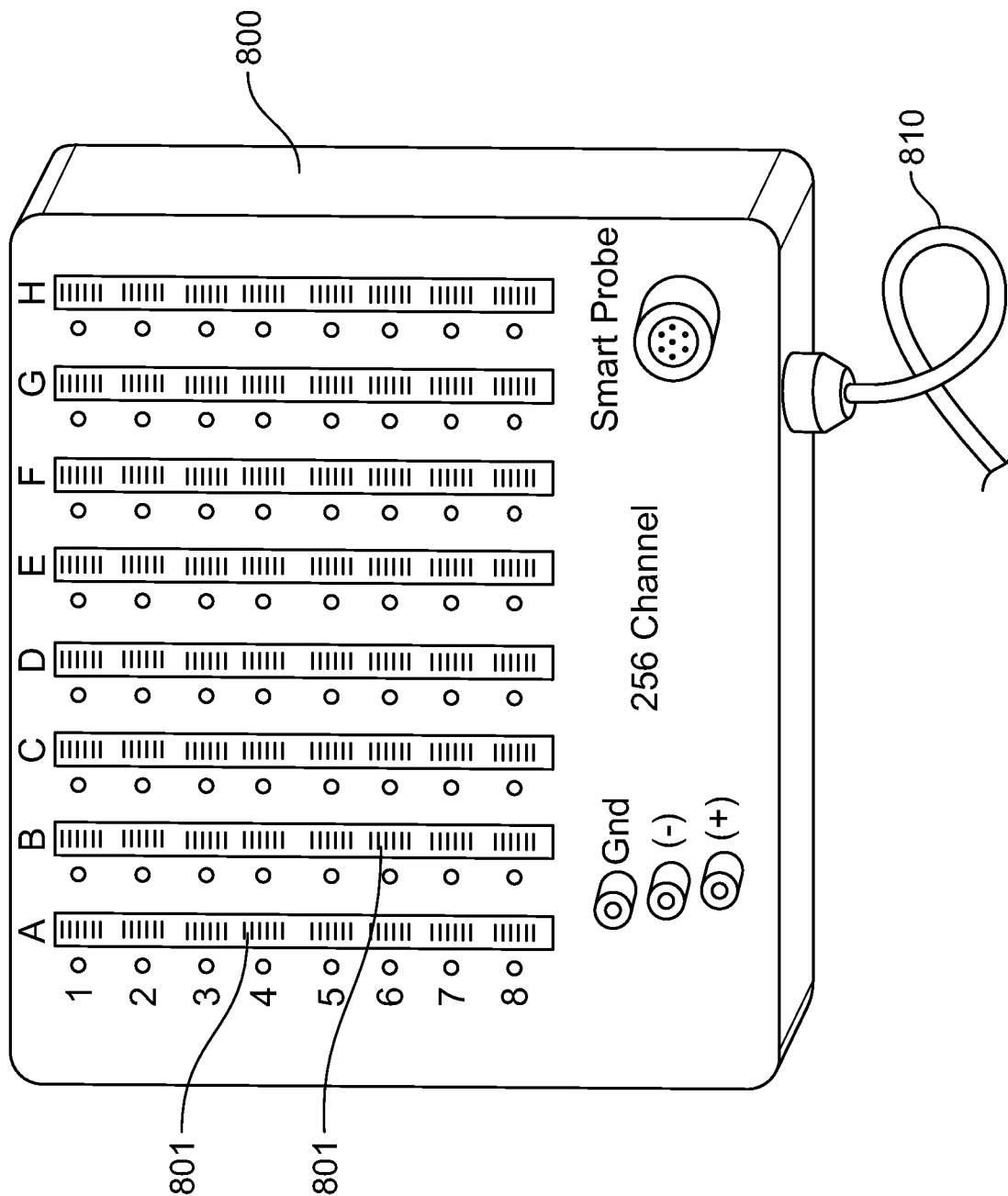


FIG. 8A

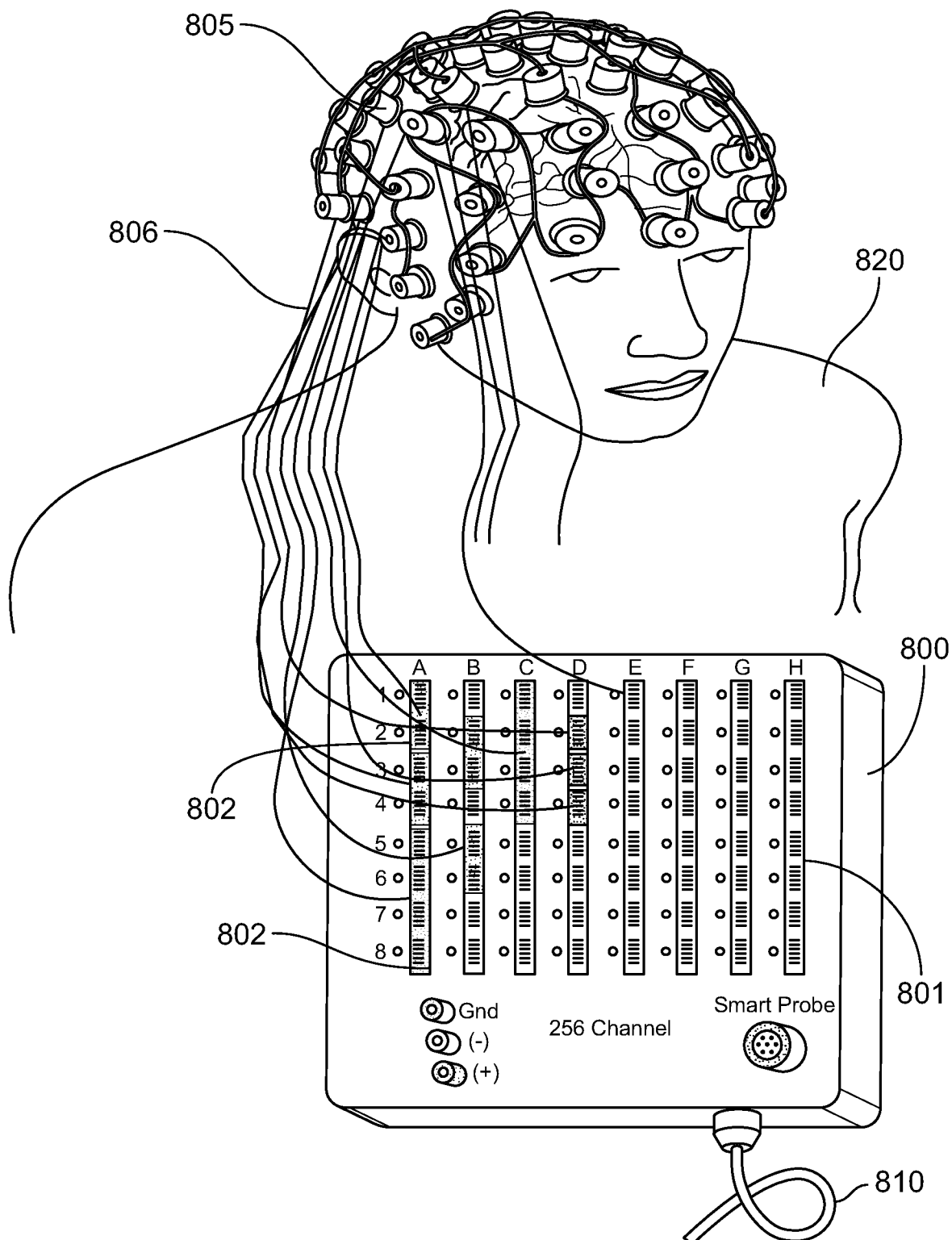


FIG. 8B



FIG. 9A

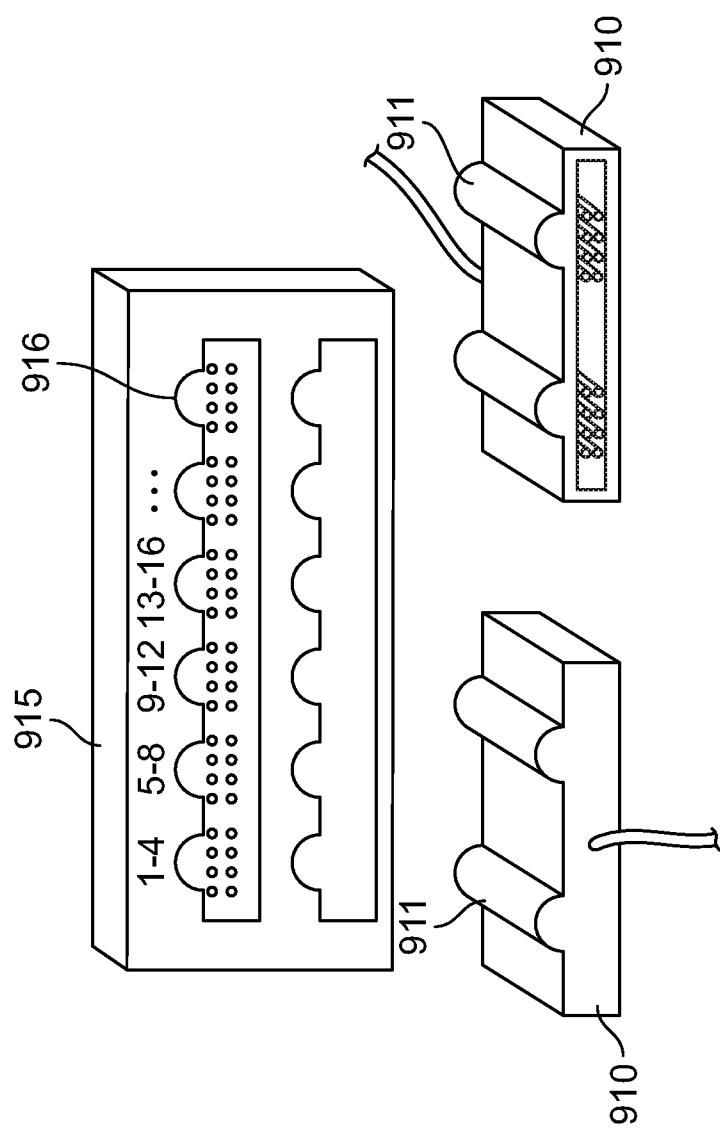
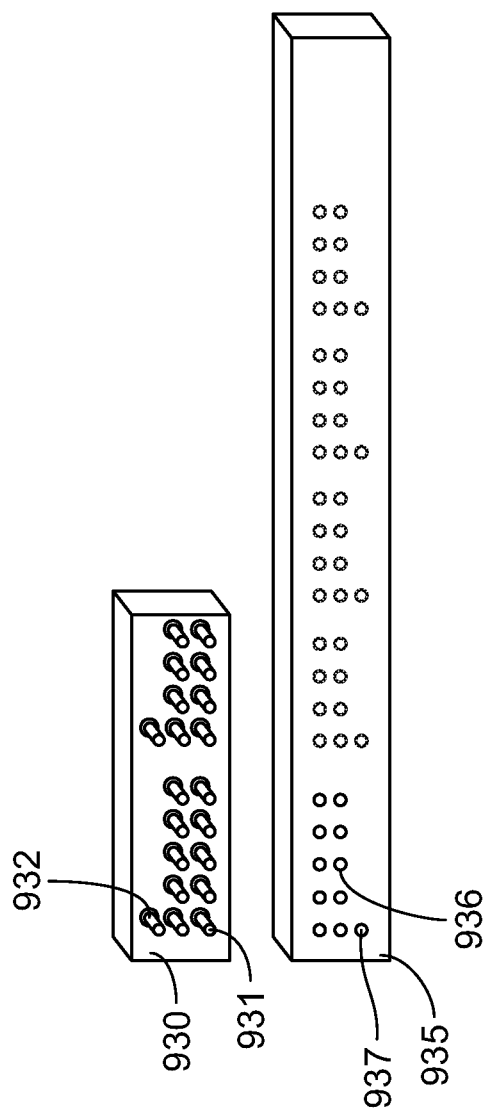


FIG. 9B



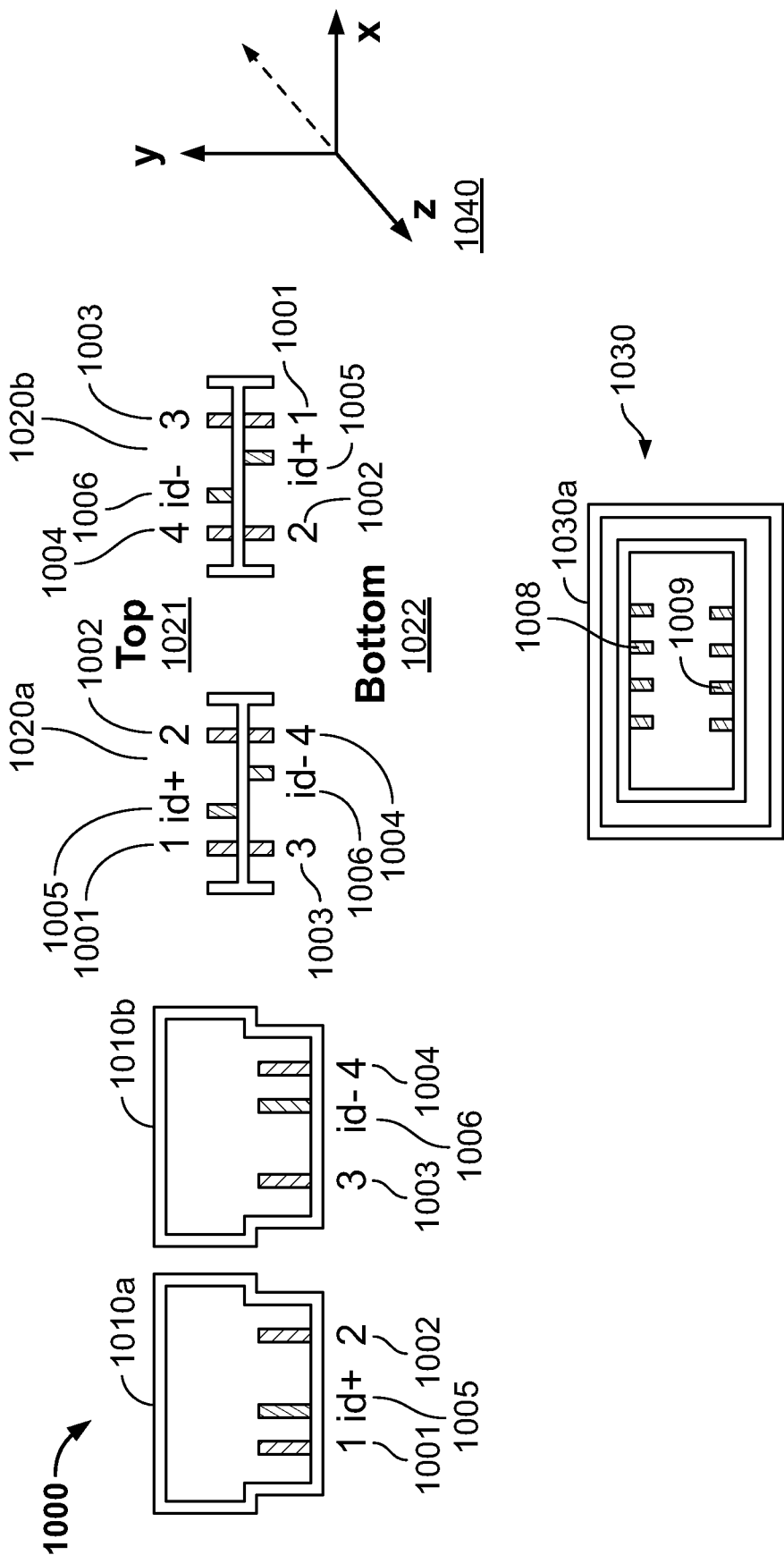


FIG. 10

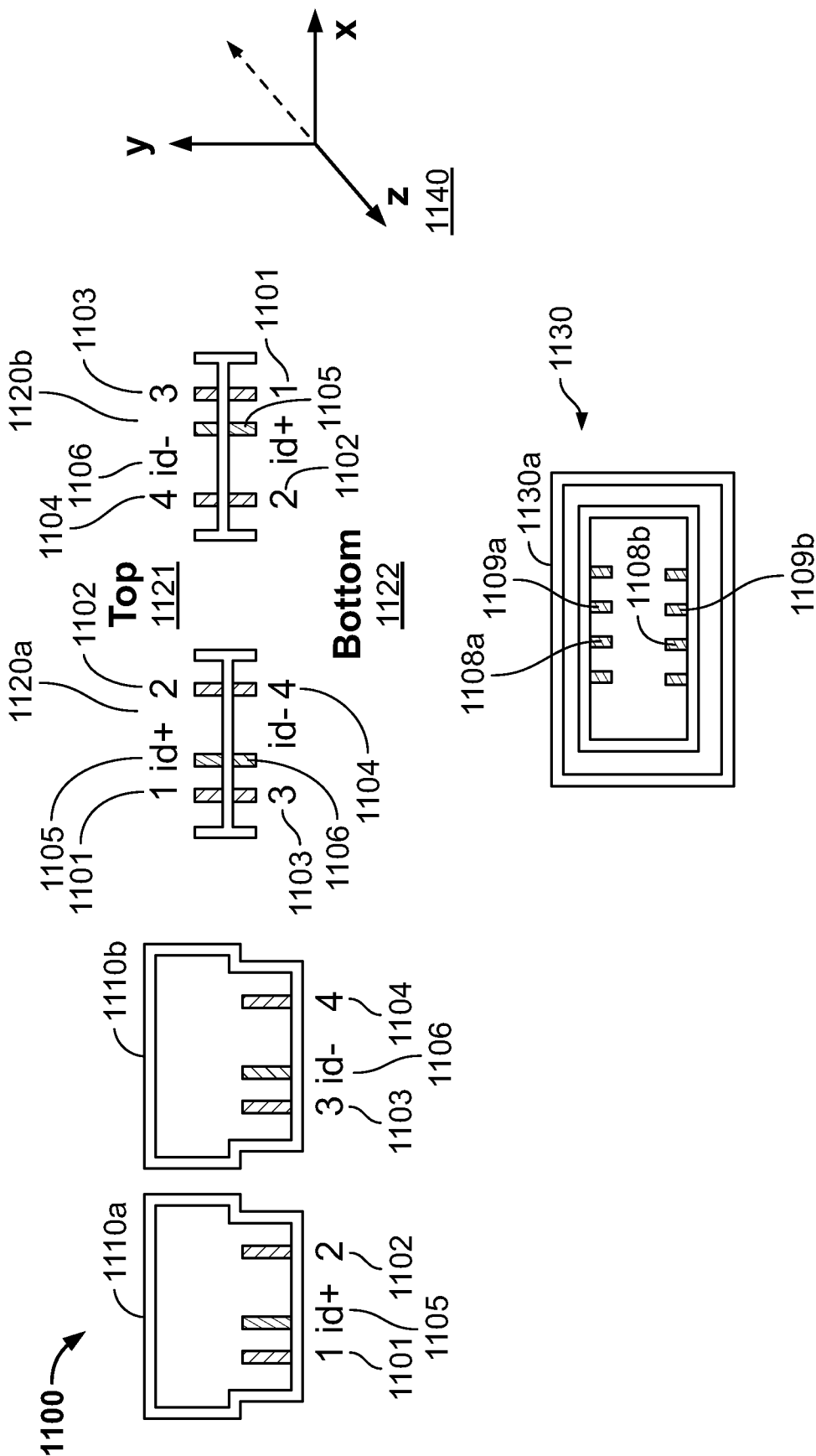


FIG. 11