

REPLACEMENT SHEET

Title: System and Method for High Density Electrode Management  
Applicant: Cadwell Laboratories, Inc. Application Number: PCT/US19/63793  
Attorney Docket Number: CAD800CIP.PCT

1/19

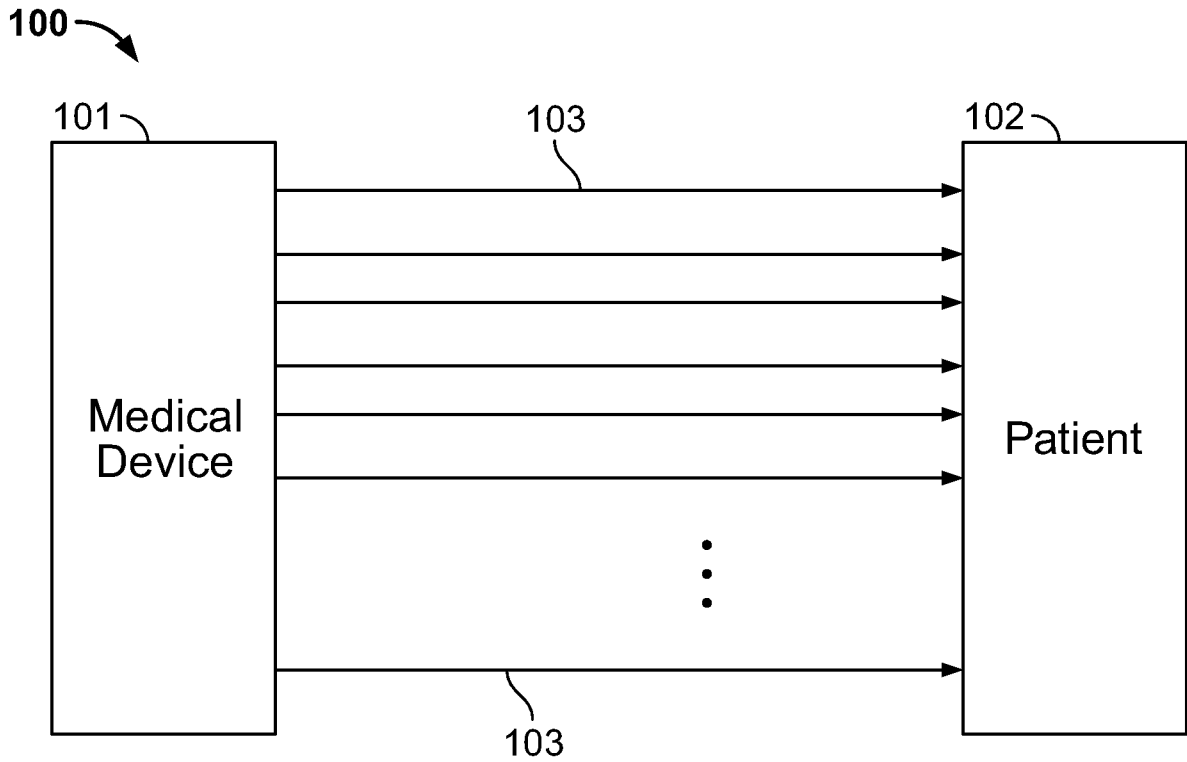


FIG. 1

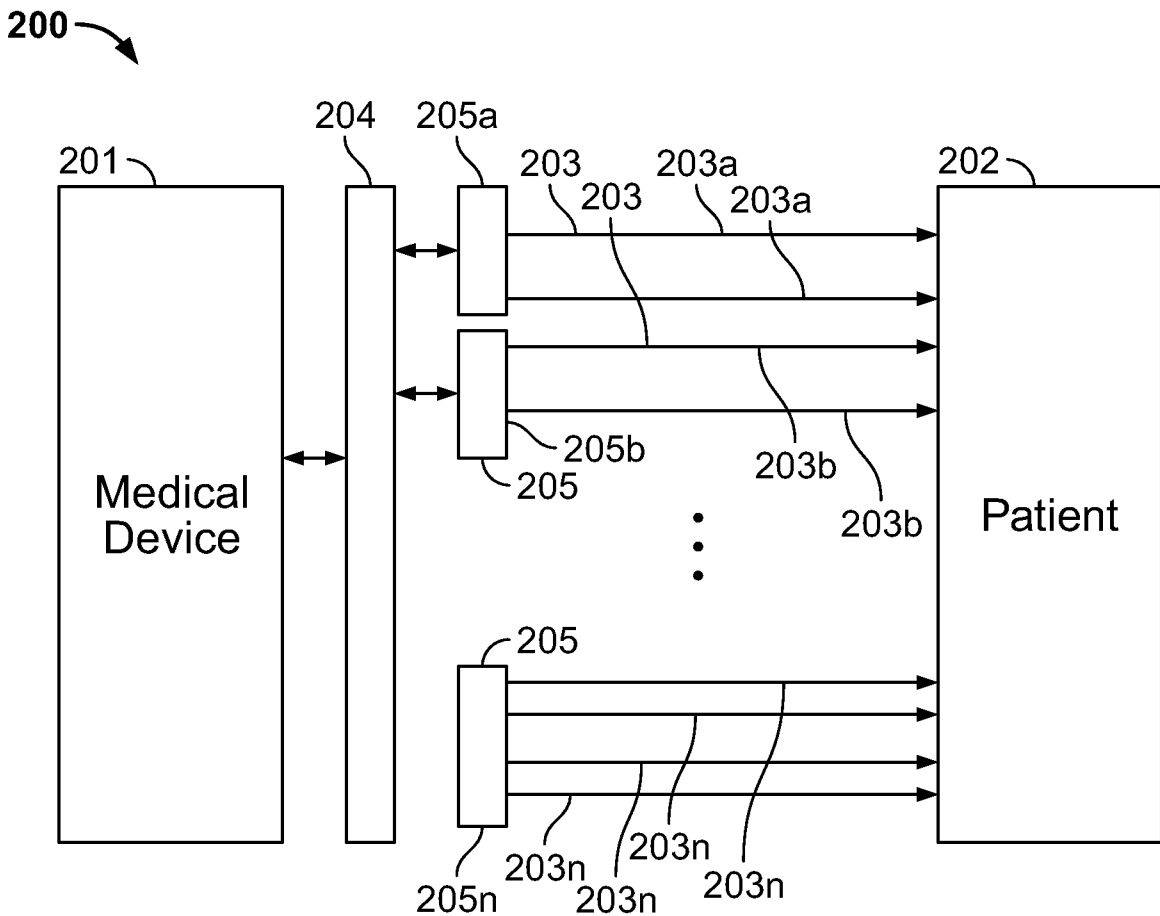


FIG. 2

REPLACEMENT SHEET

Title: System and Method for High Density Electrode Management  
Applicant: Cadwell Laboratories, Inc. Application Number: PCT/US19/63793  
Attorney Docket Number: CAD800CIP.PCT

2/19

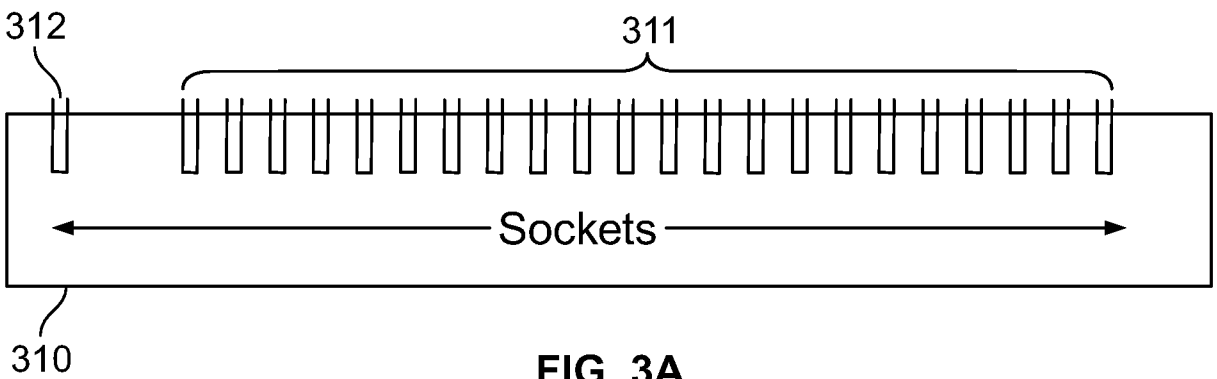
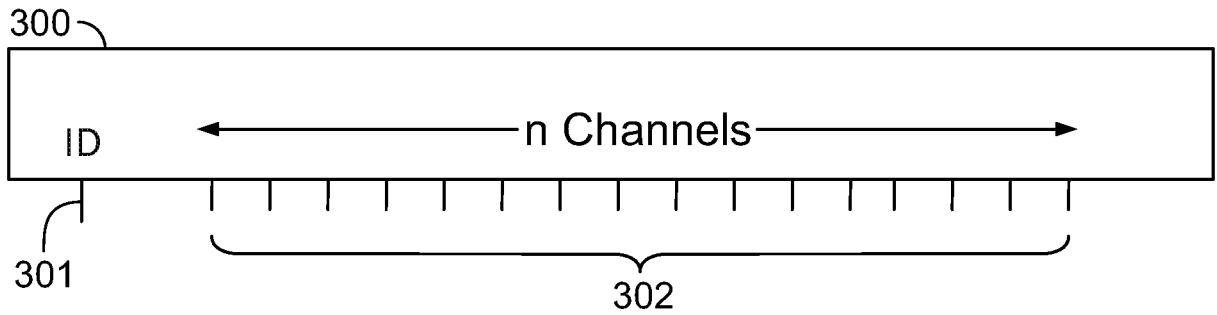


FIG. 3A

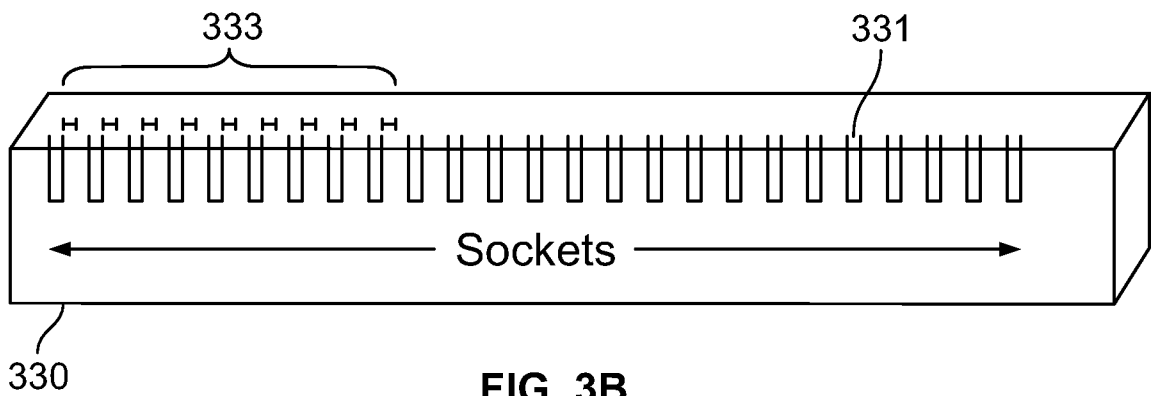
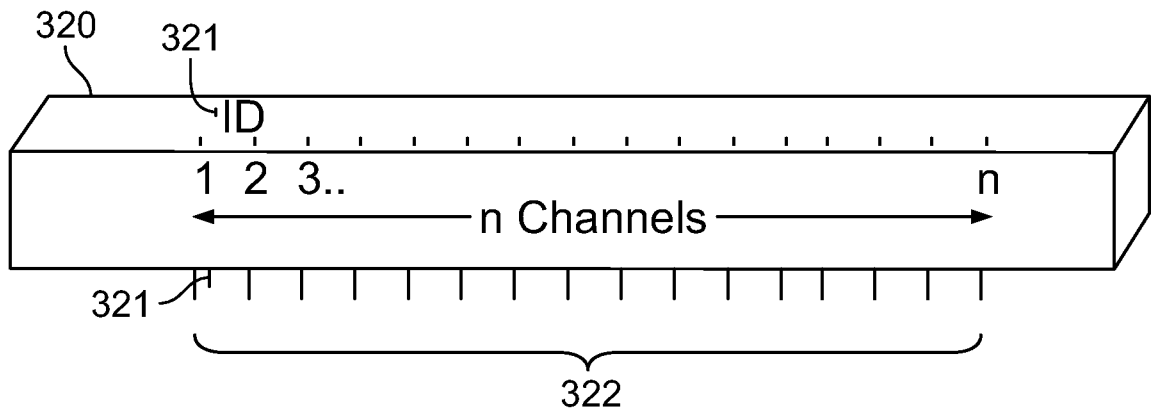


FIG. 3B

REPLACEMENT SHEET

Title: System and Method for High Density Electrode Management  
Applicant: Cadwell Laboratories, Inc. Application Number: PCT/US19/63793  
Attorney Docket Number: CAD800CIP.PCT

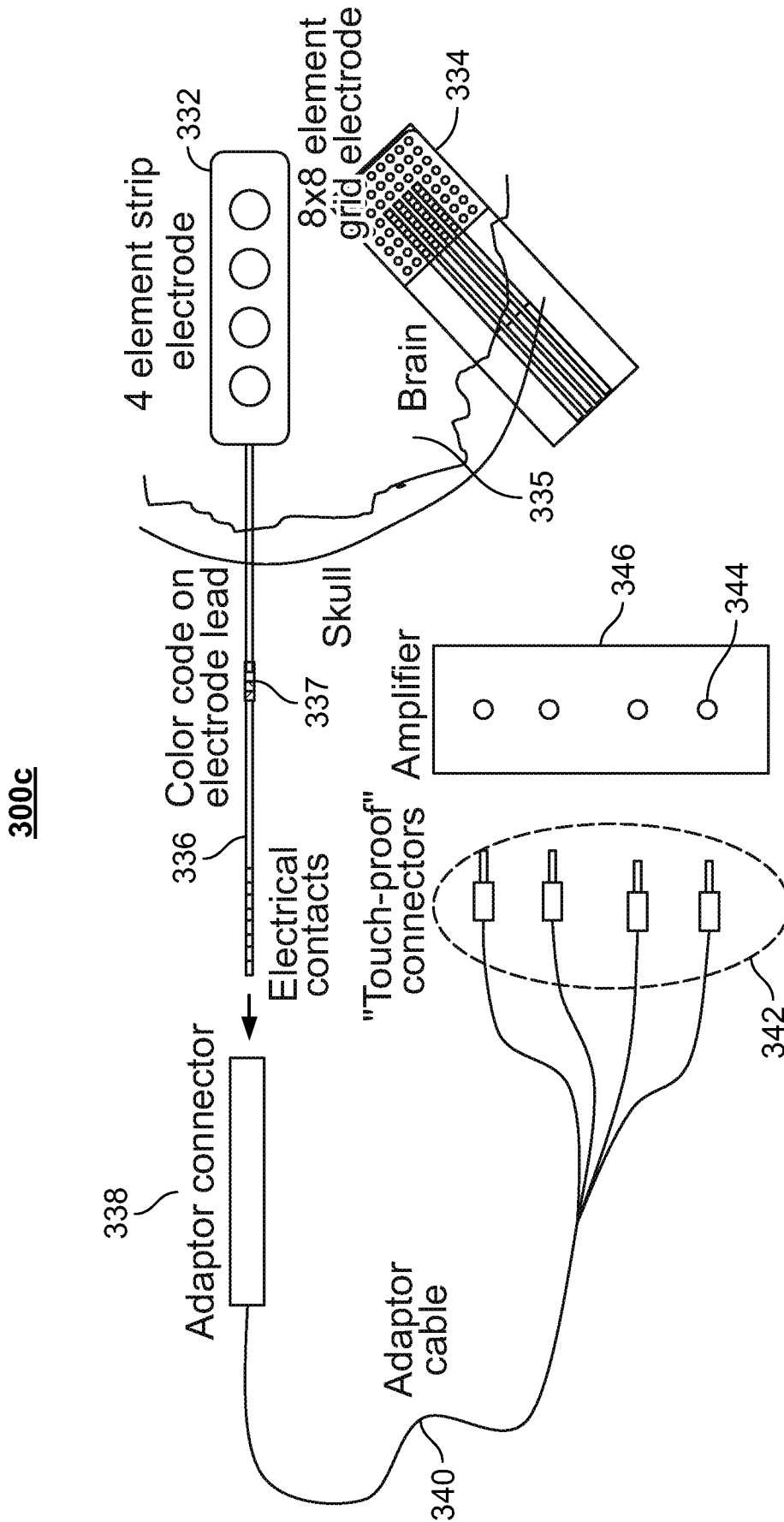


FIG. 3C  
(Prior Art)

REPLACEMENT SHEET

Title: System and Method for High Density Electrode Management  
Applicant: Cadwell Laboratories, Inc. Application Number: PCT/US19/63793  
Attorney Docket Number: CAD800CIP.PCT

4/19

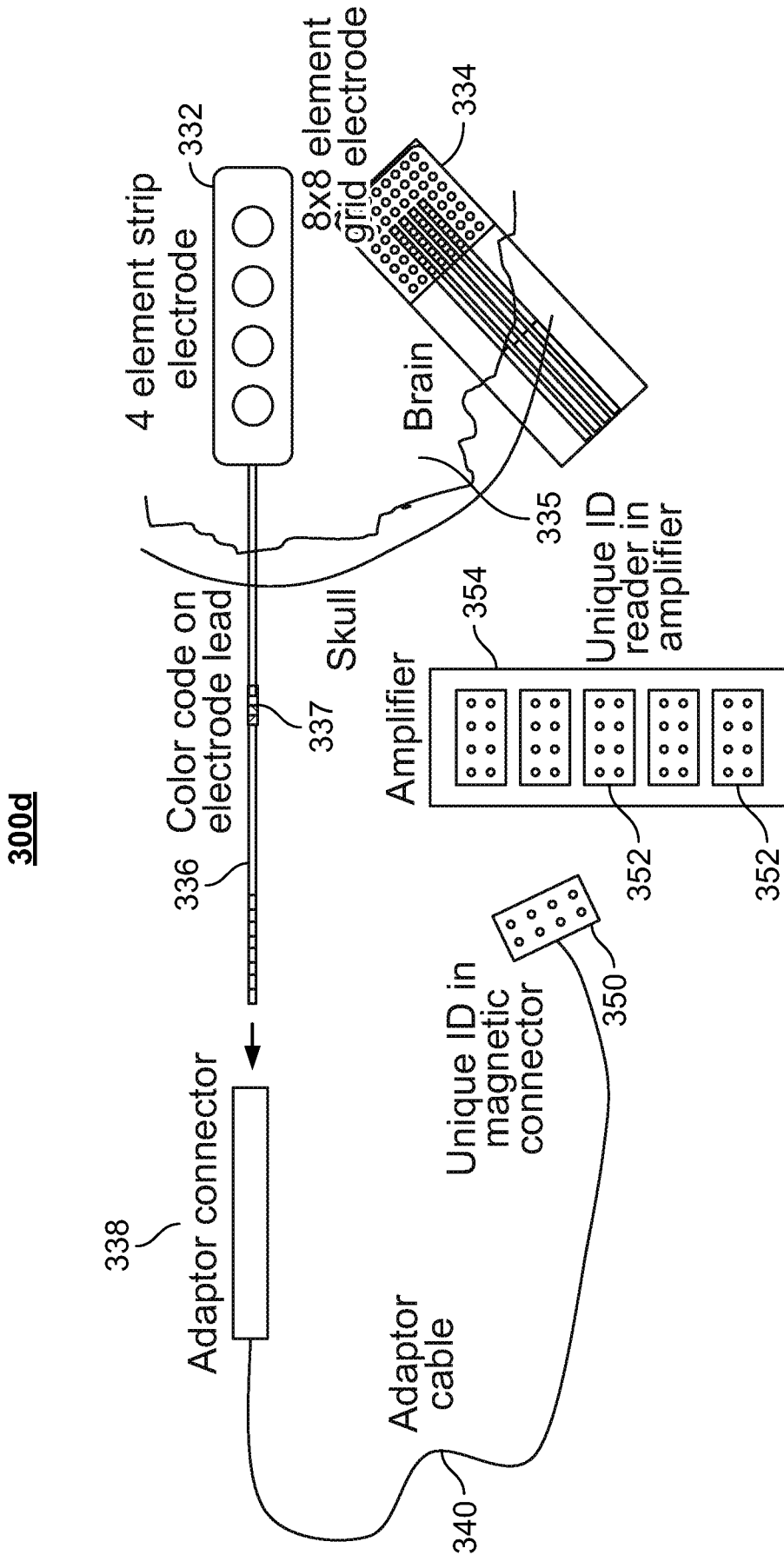


FIG. 3D

REPLACEMENT SHEET

Title: System and Method for High Density Electrode Management  
Applicant: Cadwell Laboratories, Inc. Application Number: PCT/US19/63793  
Attorney Docket Number: CAD800CIP.PCT

5/19

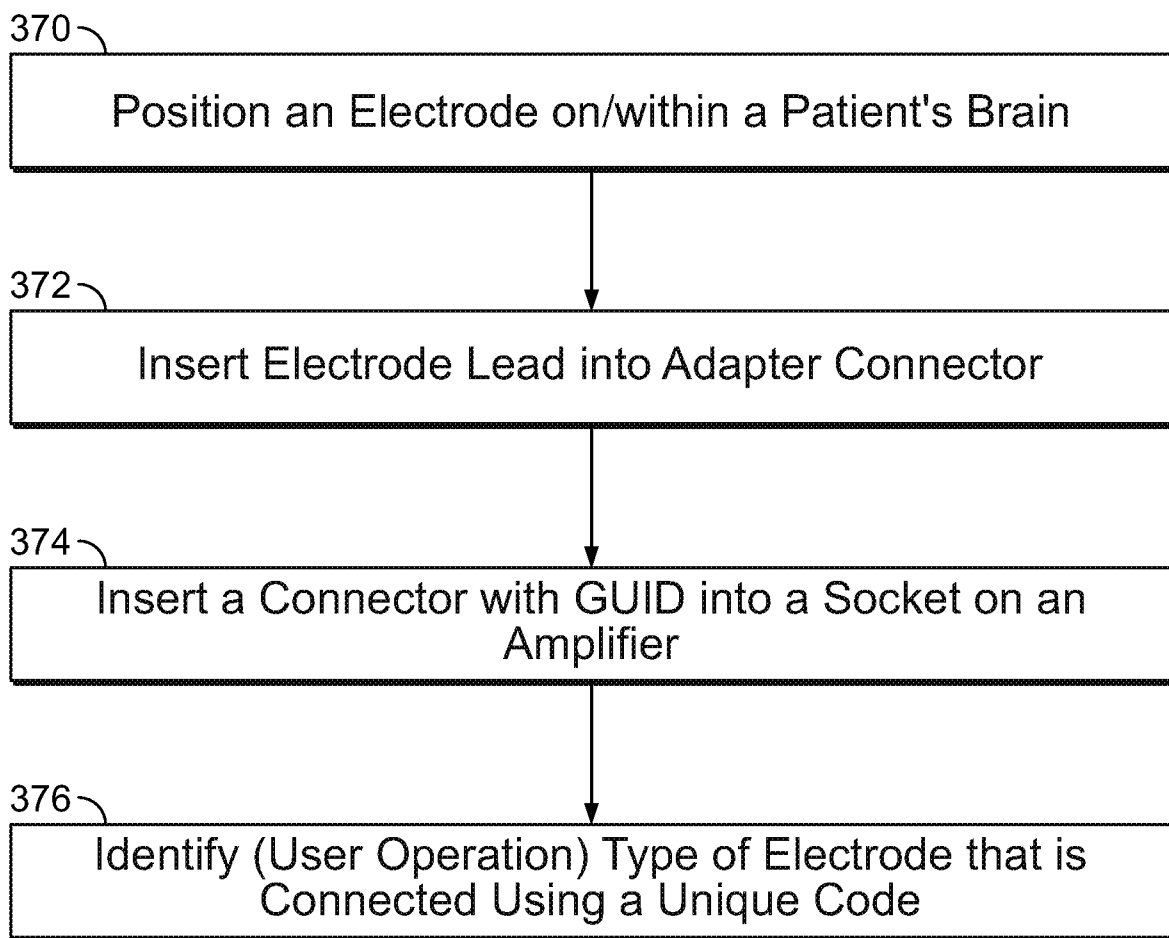


FIG. 3E

REPLACEMENT SHEET

Title: System and Method for High Density Electrode Management  
Applicant: Cadwell Laboratories, Inc. Application Number: PCT/US19/63793  
Attorney Docket Number: CAD800CIP.PCT

6/19

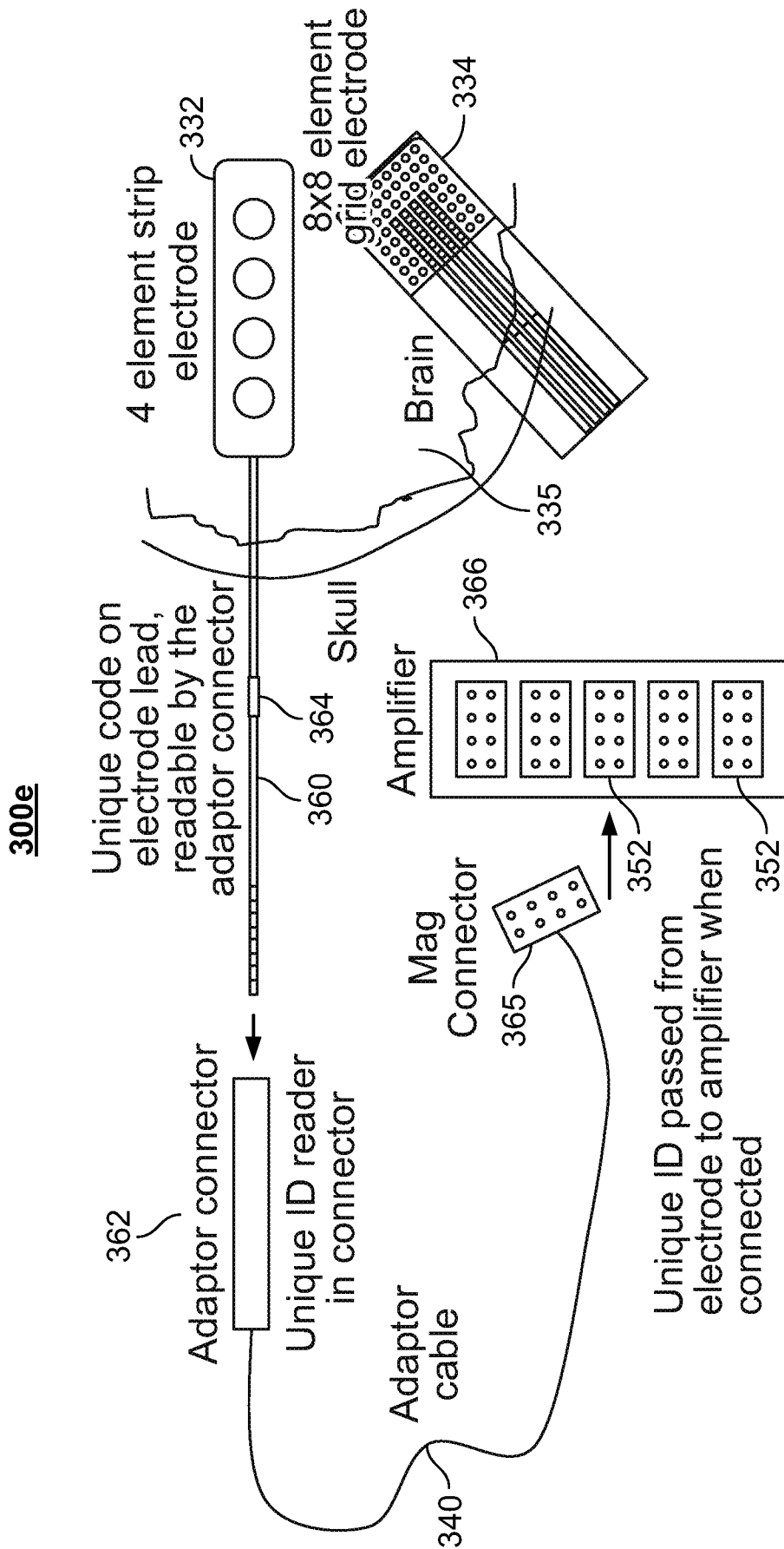


FIG. 3F

REPLACEMENT SHEET

Title: System and Method for High Density Electrode Management  
Applicant: Cadwell Laboratories, Inc. Application Number: PCT/US19/63793  
Attorney Docket Number: CAD800CIP.PCT

7/19

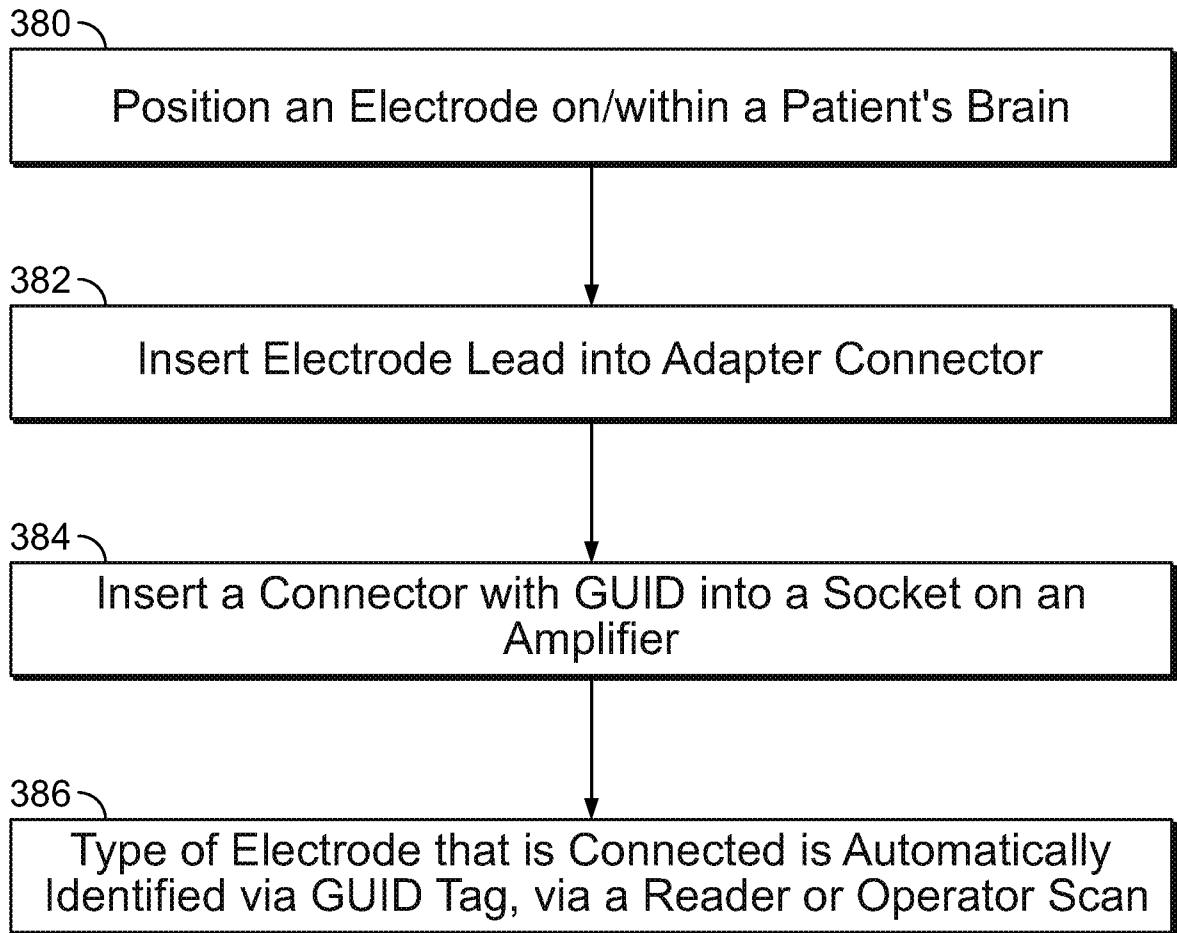


FIG. 3G

REPLACEMENT SHEET

Title: System and Method for High Density Electrode Management  
Applicant: Cadwell Laboratories, Inc. Application Number: PCT/US19/63793  
Attorney Docket Number: CAD800CIP.PCT

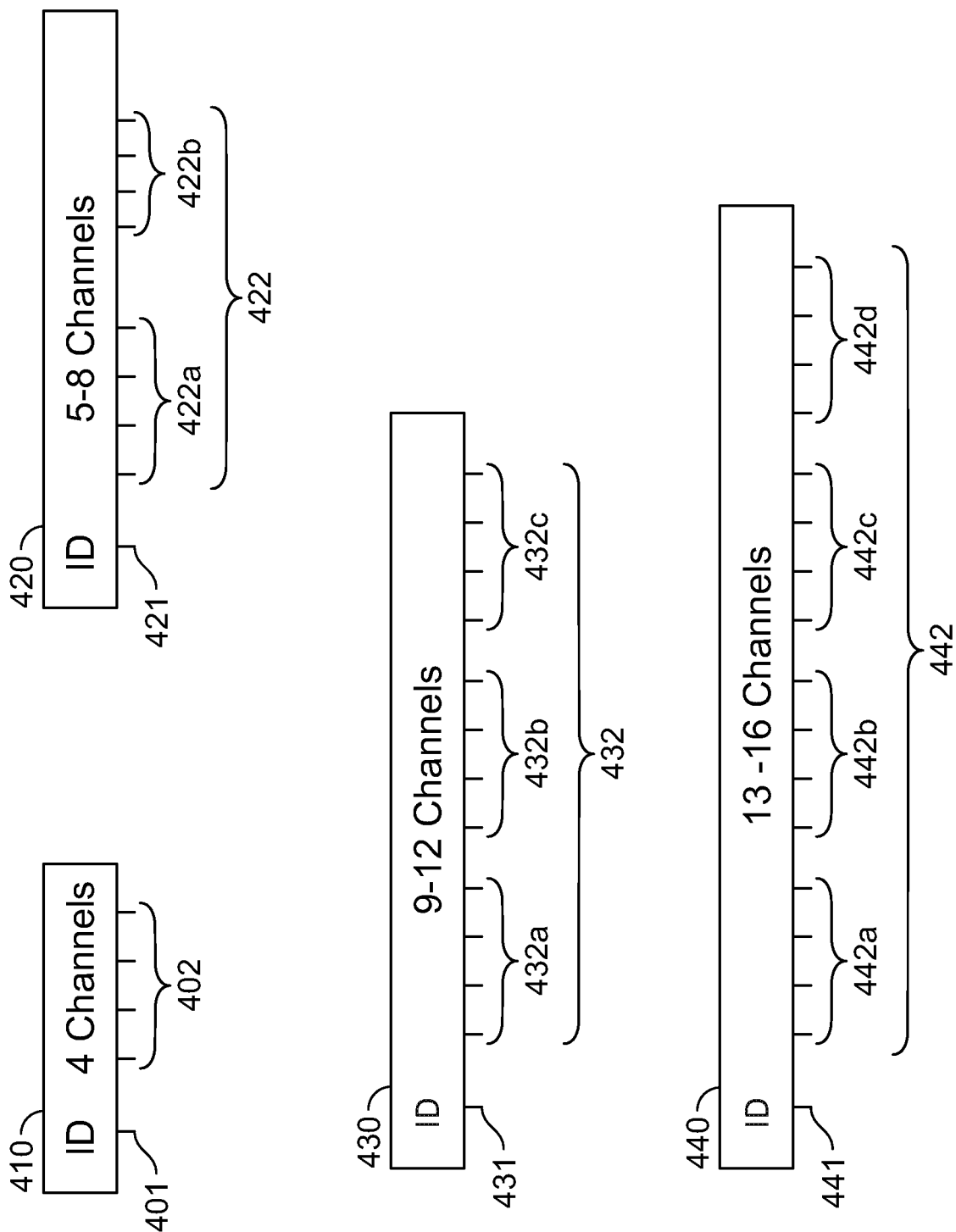


FIG. 4A



REPLACEMENT SHEET

Title: System and Method for High Density Electrode Management  
Applicant: Cadwell Laboratories, Inc. Application Number: PCT/US19/63793  
Attorney Docket Number: CAD800CIP.PCT

9/19

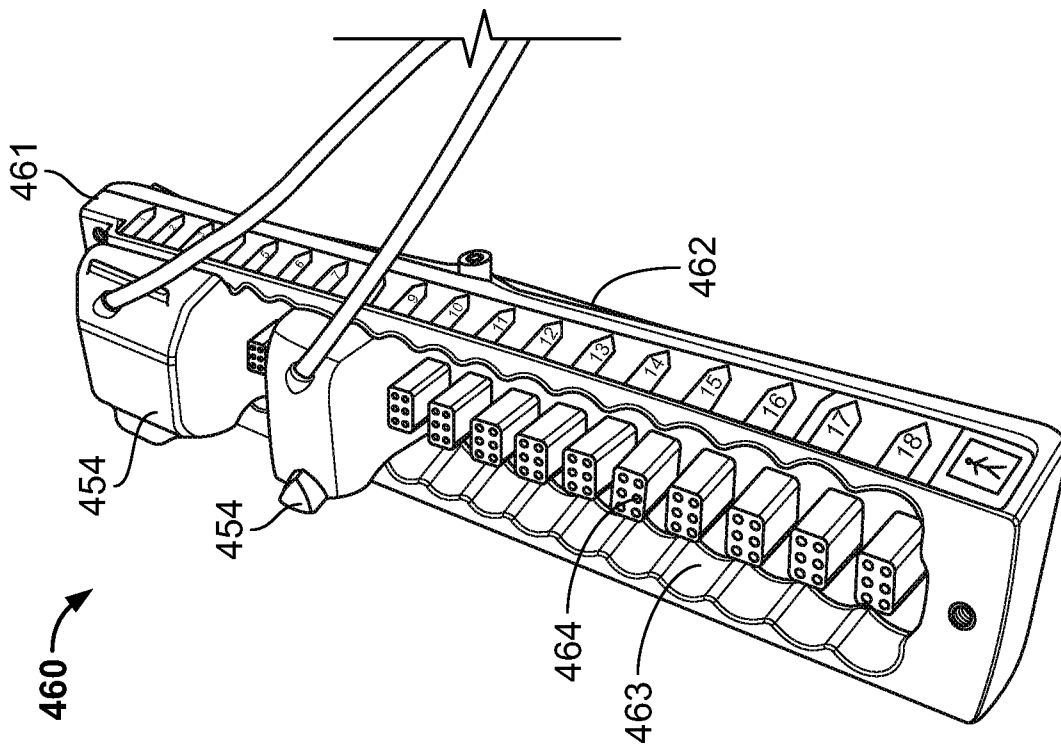


FIG. 4C

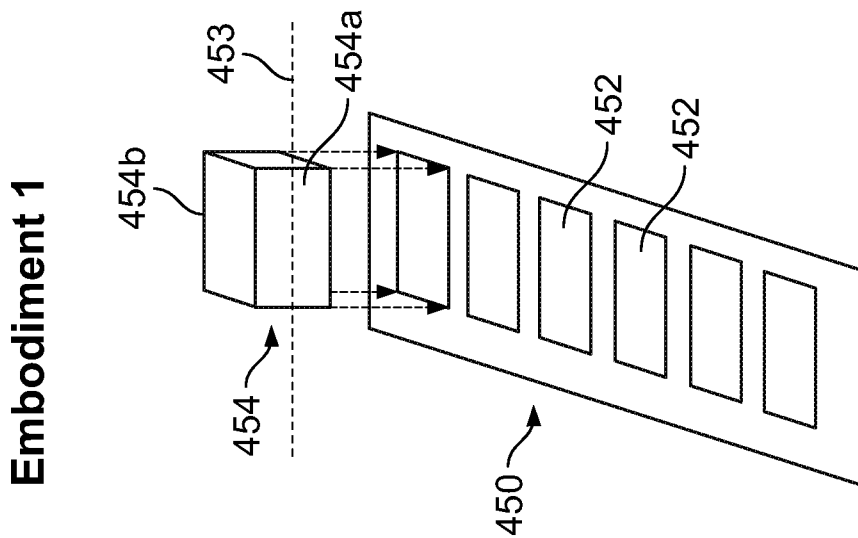


FIG. 4B

Embodiment 1

REPLACEMENT SHEET

Title: System and Method for High Density Electrode Management  
Applicant: Cadwell Laboratories, Inc. Application Number: PCT/US19/63793  
Attorney Docket Number: CAD800CIP.PCT

10/19

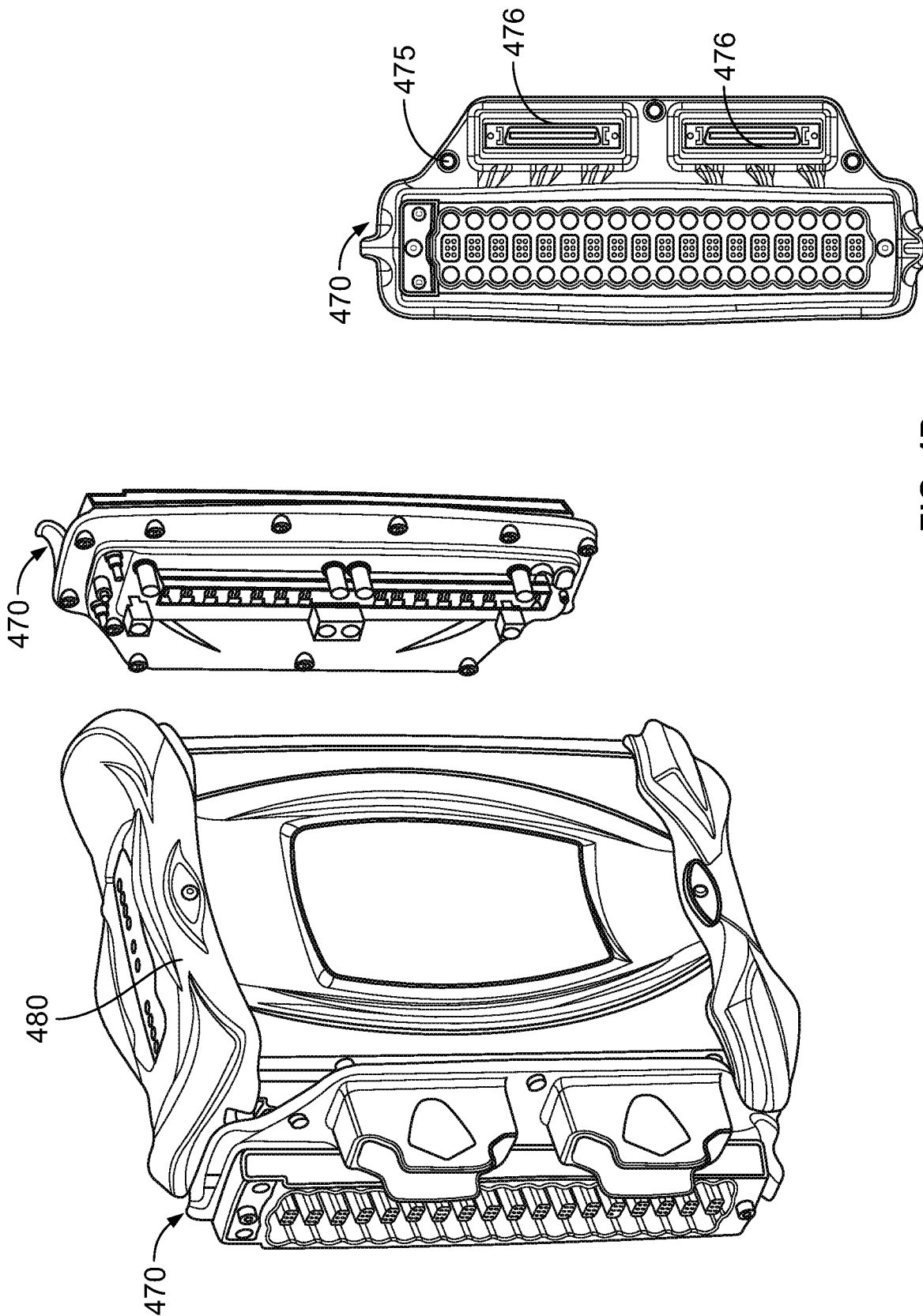


FIG. 4D

REPLACEMENT SHEET

Title: System and Method for High Density Electrode Management  
Applicant: Cadwell Laboratories, Inc. Application Number: PCT/US19/63793  
Attorney Docket Number: CAD800CIP.PCT

11/19

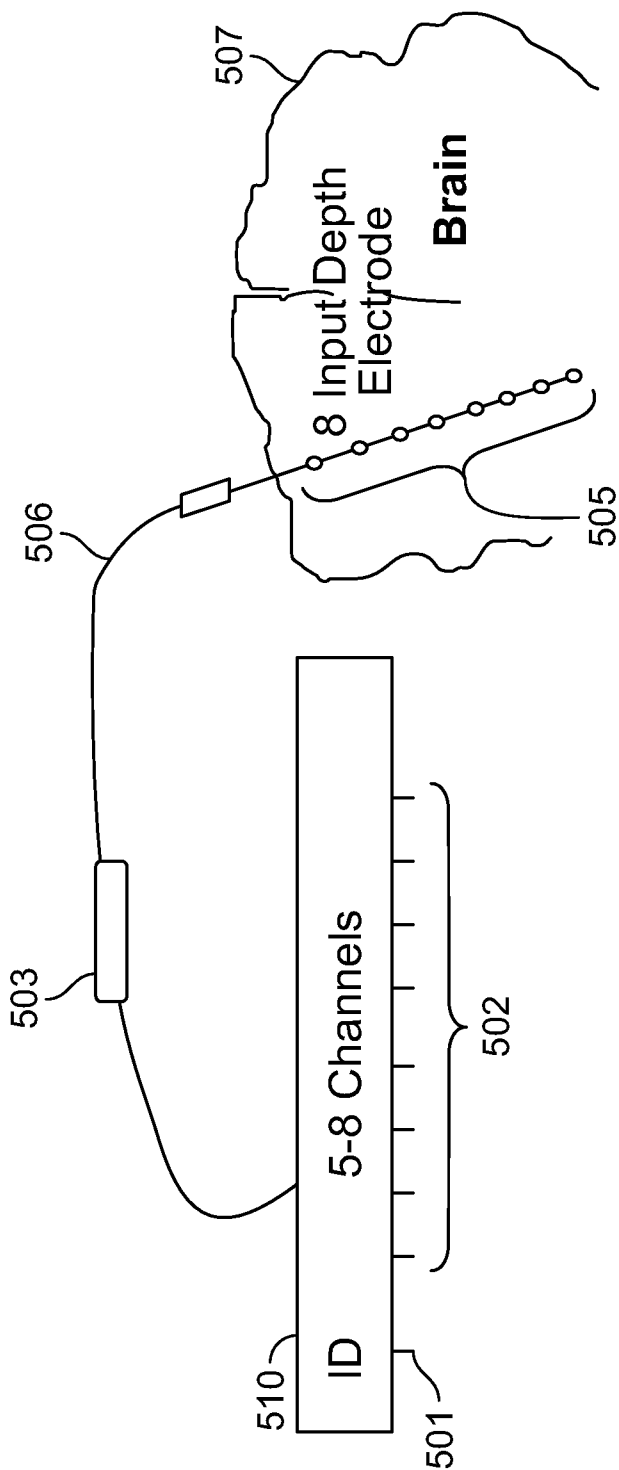


FIG. 5A

REPLACEMENT SHEET

Title: System and Method for High Density Electrode Management  
Applicant: Cadwell Laboratories, Inc. Application Number: PCT/US19/63793  
Attorney Docket Number: CAD800CIP.PCT

12/19

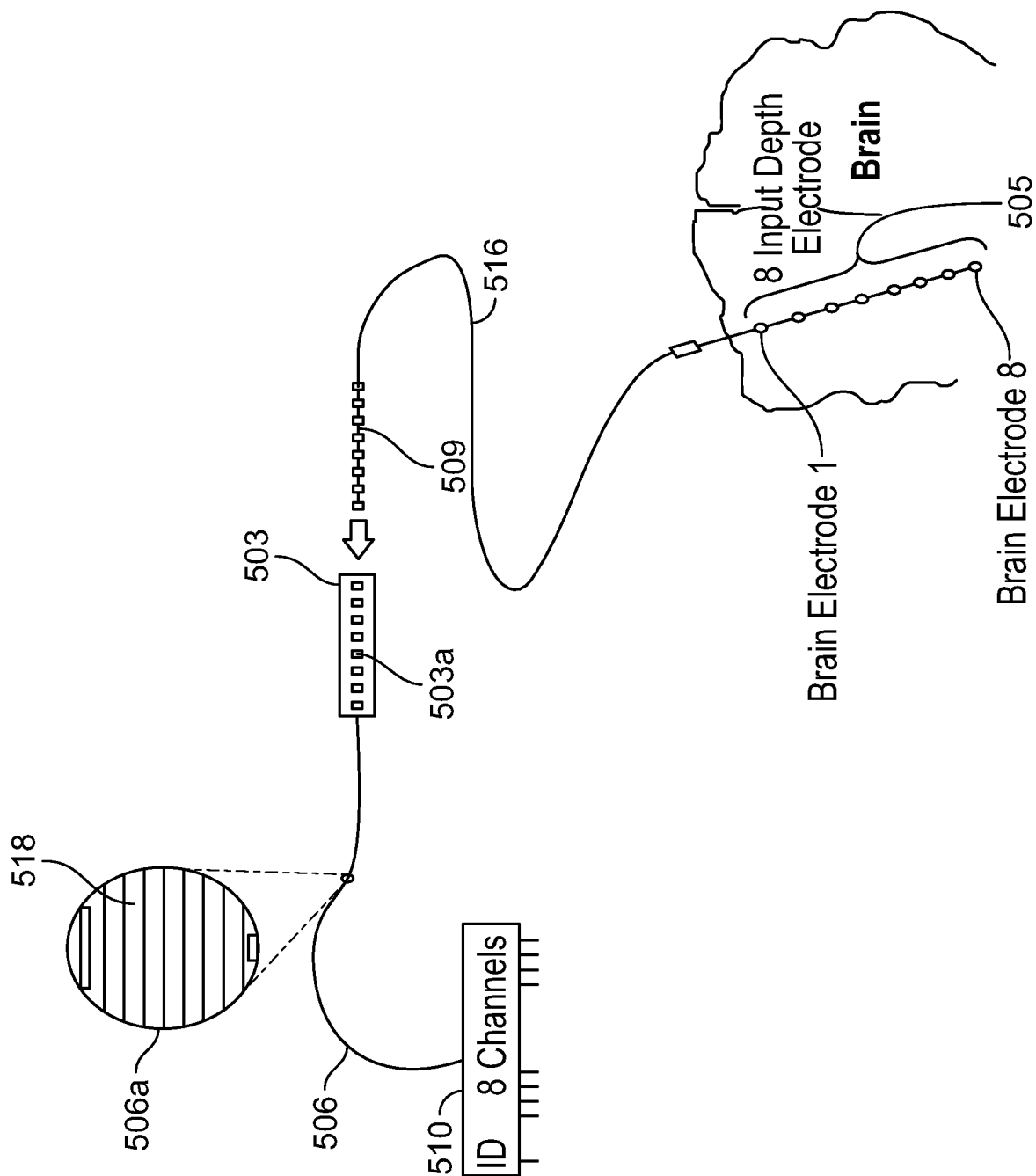


FIG. 5B

REPLACEMENT SHEET

Title: System and Method for High Density Electrode Management  
Applicant: Cadwell Laboratories, Inc. Application Number: PCT/US19/63793  
Attorney Docket Number: CAD800CIP.PCT

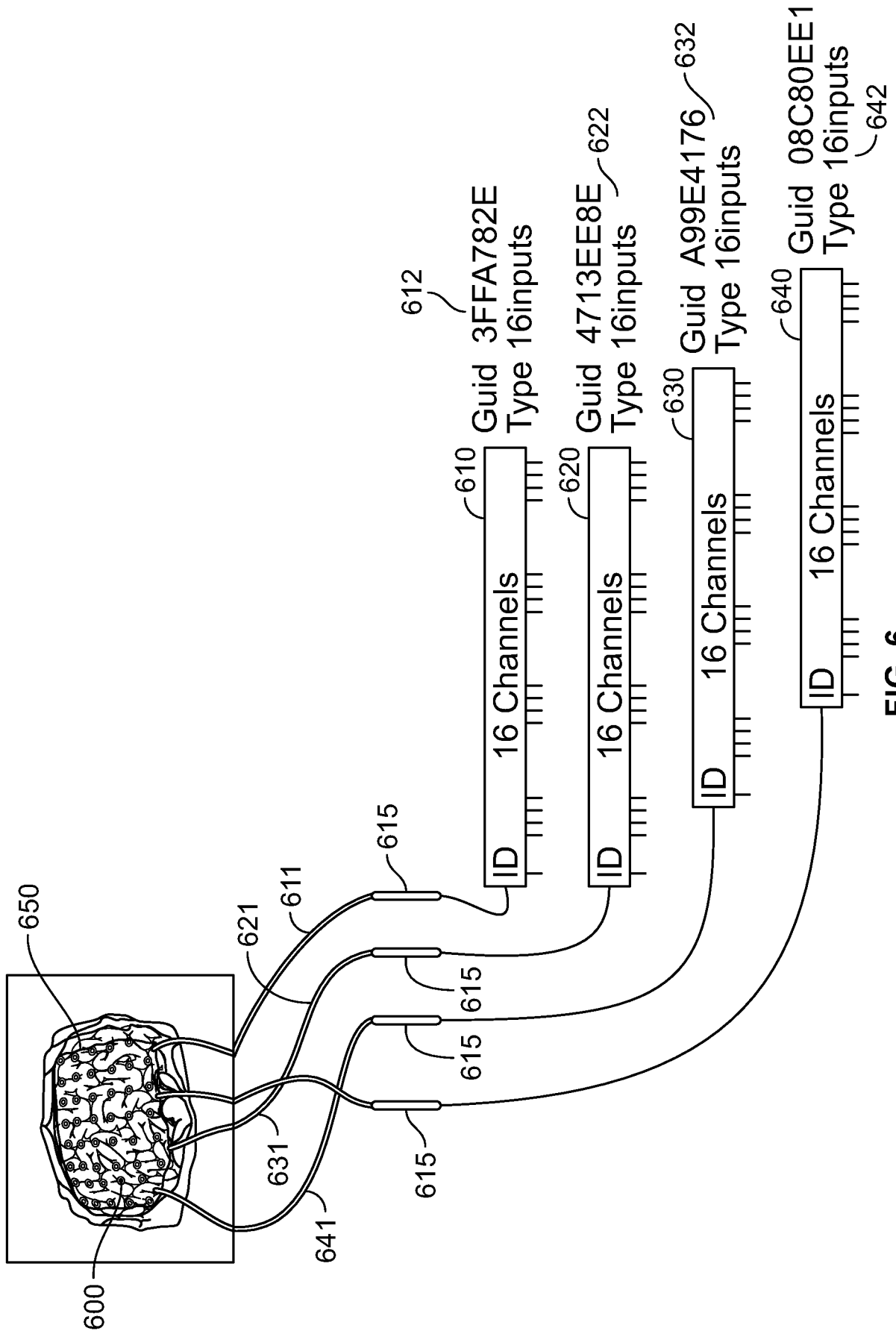
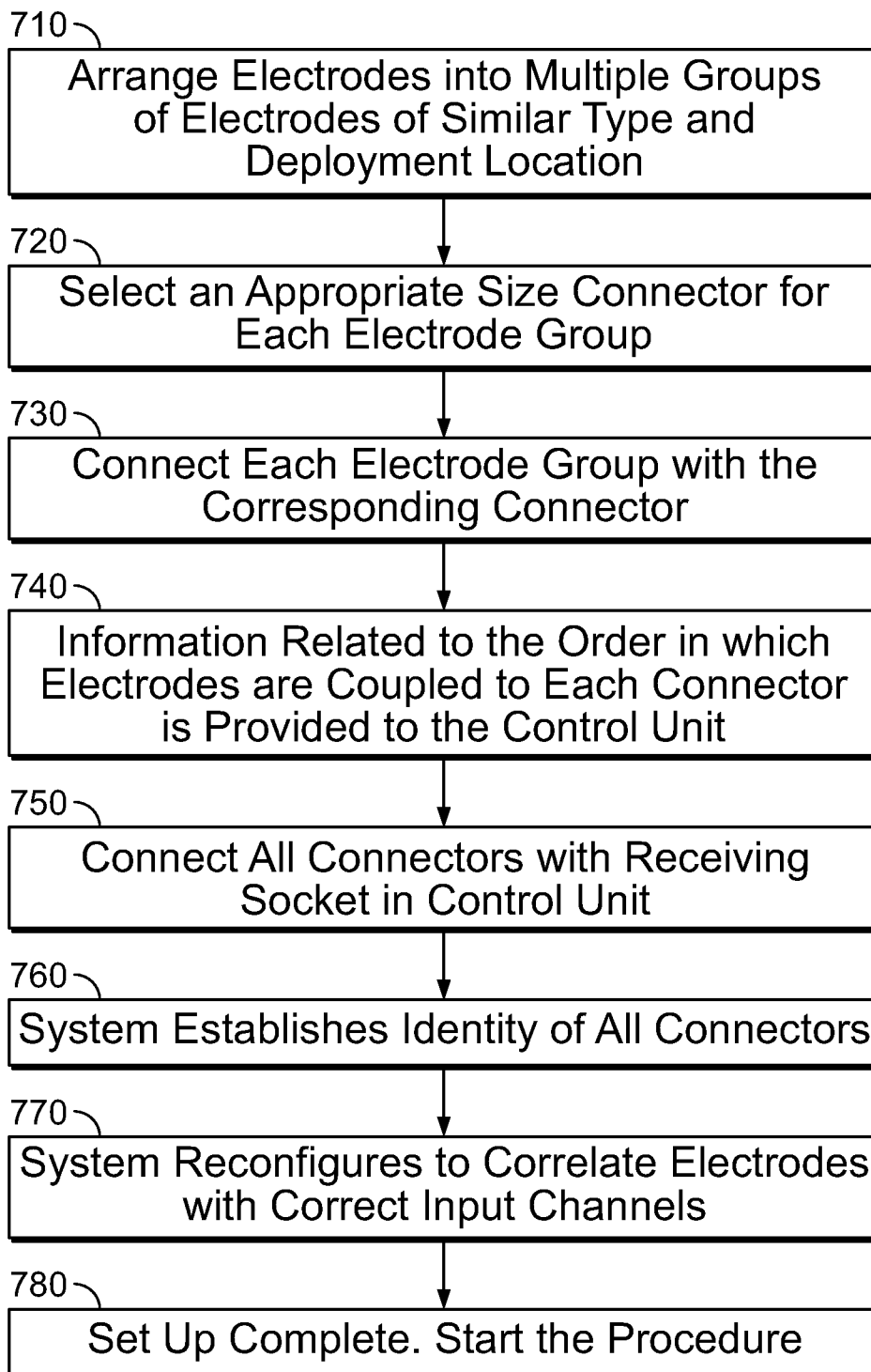


FIG. 6

**REPLACEMENT SHEET**

**Title:** System and Method for High Density Electrode Management  
**Applicant:** Cadwell Laboratories, Inc. **Application Number:** PCT/US19/63793  
**Attorney Docket Number:** CAD800CIP.PCT

**14/19**



**FIG. 7**

REPLACEMENT SHEET

Title: System and Method for High Density Electrode Management  
Applicant: Cadwell Laboratories, Inc. Application Number: PCT/US19/63793  
Attorney Docket Number: CAD800CIP.PCT

15/19

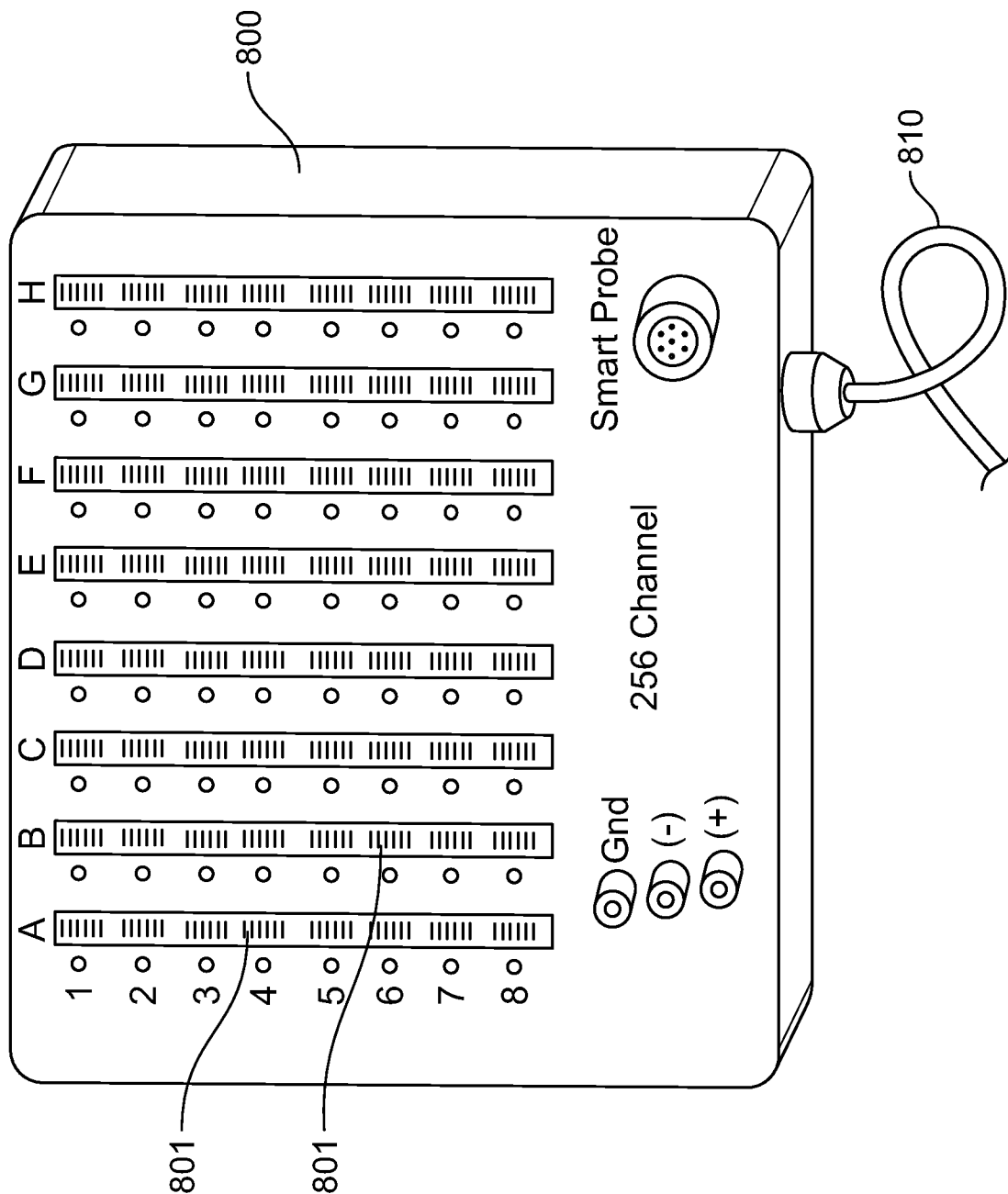


FIG. 8A

REPLACEMENT SHEET

Title: System and Method for High Density Electrode Management  
Applicant: Cadwell Laboratories, Inc. Application Number: PCT/US19/63793  
Attorney Docket Number: CAD800CIP.PCT

16/19

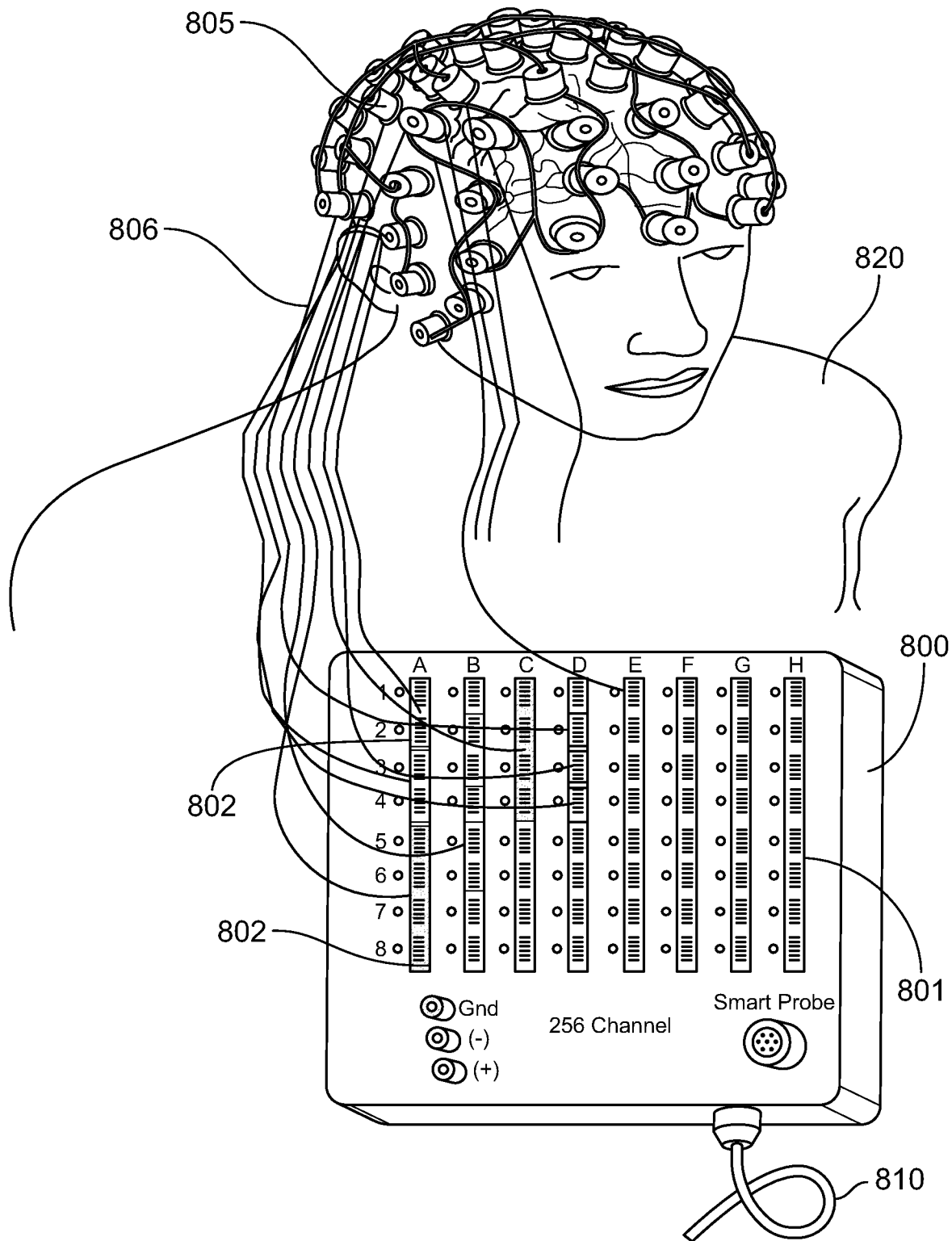


FIG. 8B



REPLACEMENT SHEET

Title: System and Method for High Density Electrode Management  
Applicant: Cadwell Laboratories, Inc. Application Number: PCT/US19/63793  
Attorney Docket Number: CAD800CIP.PCT

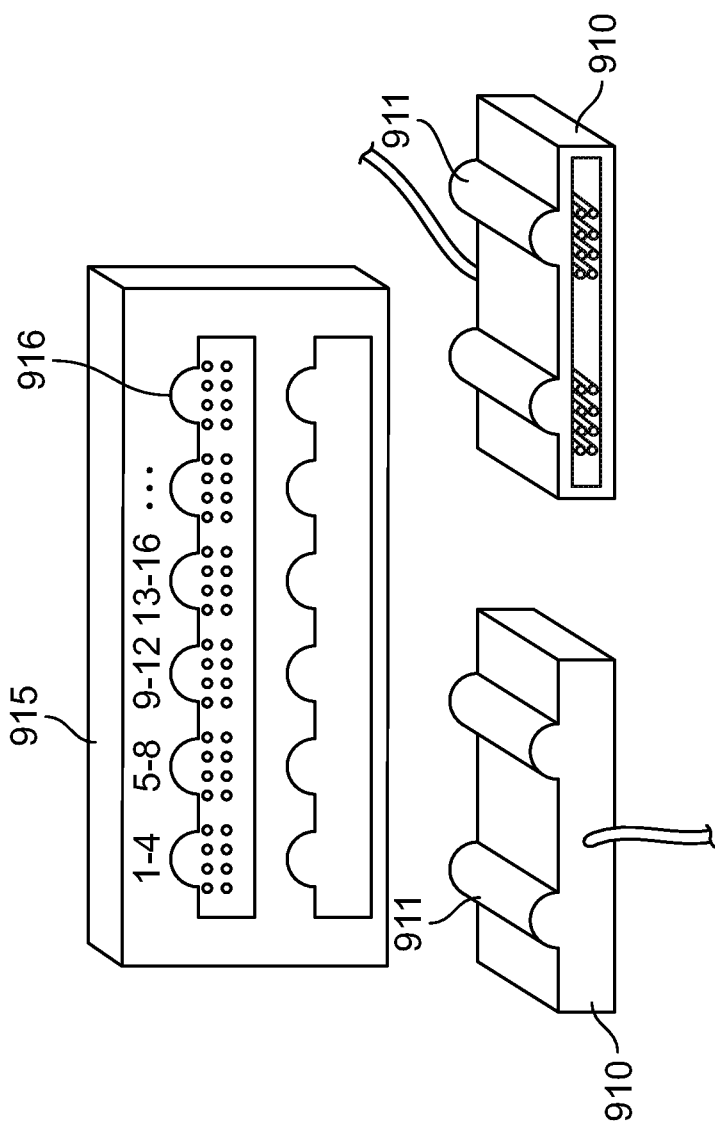


FIG. 9A

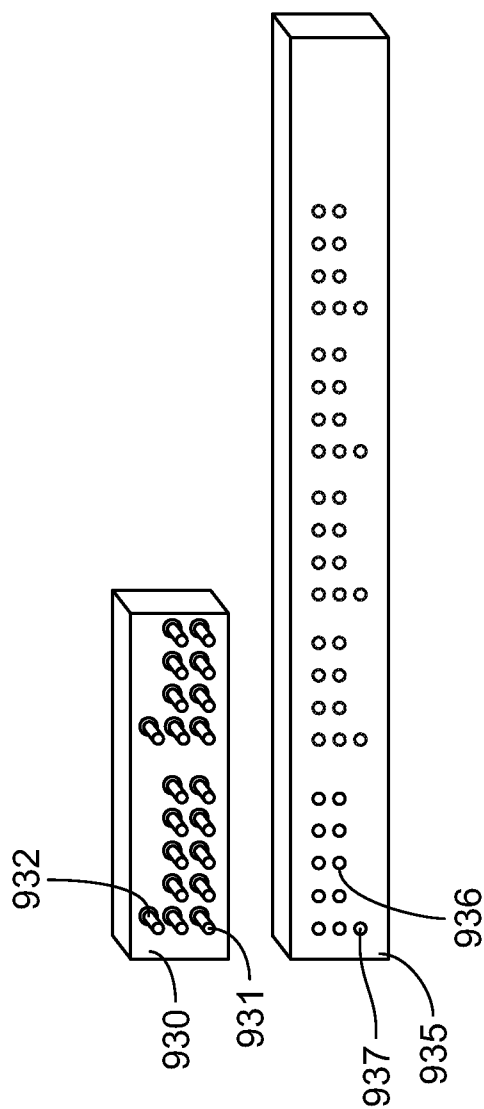


FIG. 9B

REPLACEMENT SHEET

Title: System and Method for High Density Electrode Management  
 Applicant: Cadwell Laboratories, Inc. Application Number: PCT/US19/63793  
 Attorney Docket Number: CAD800CIP.PCT

18/19

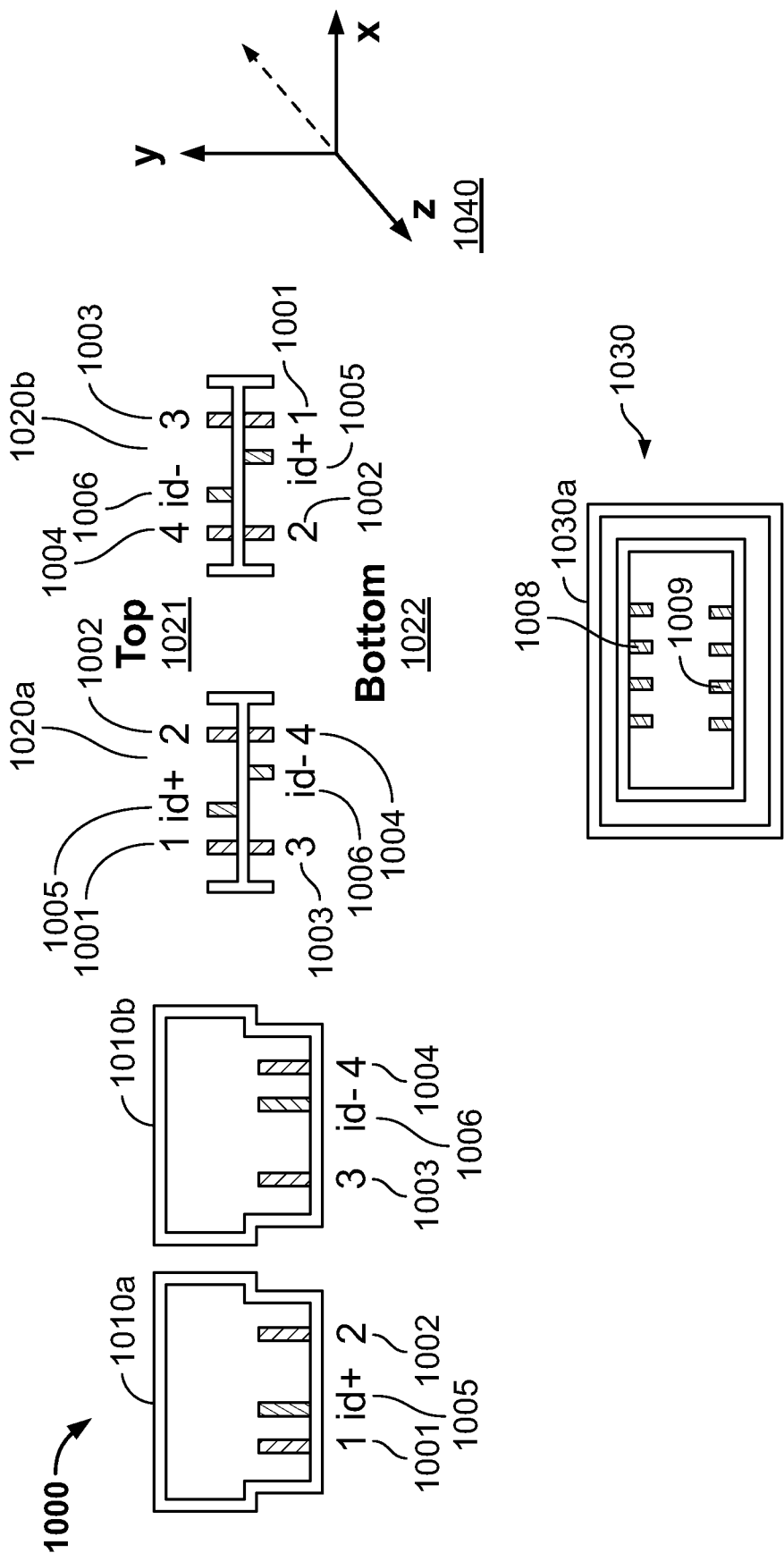


FIG. 10

REPLACEMENT SHEET

Title: System and Method for High Density Electrode Management  
 Applicant: Cadwell Laboratories, Inc. Application Number: PCT/US19/63793  
 Attorney Docket Number: CAD800CIP.PCT

19/19

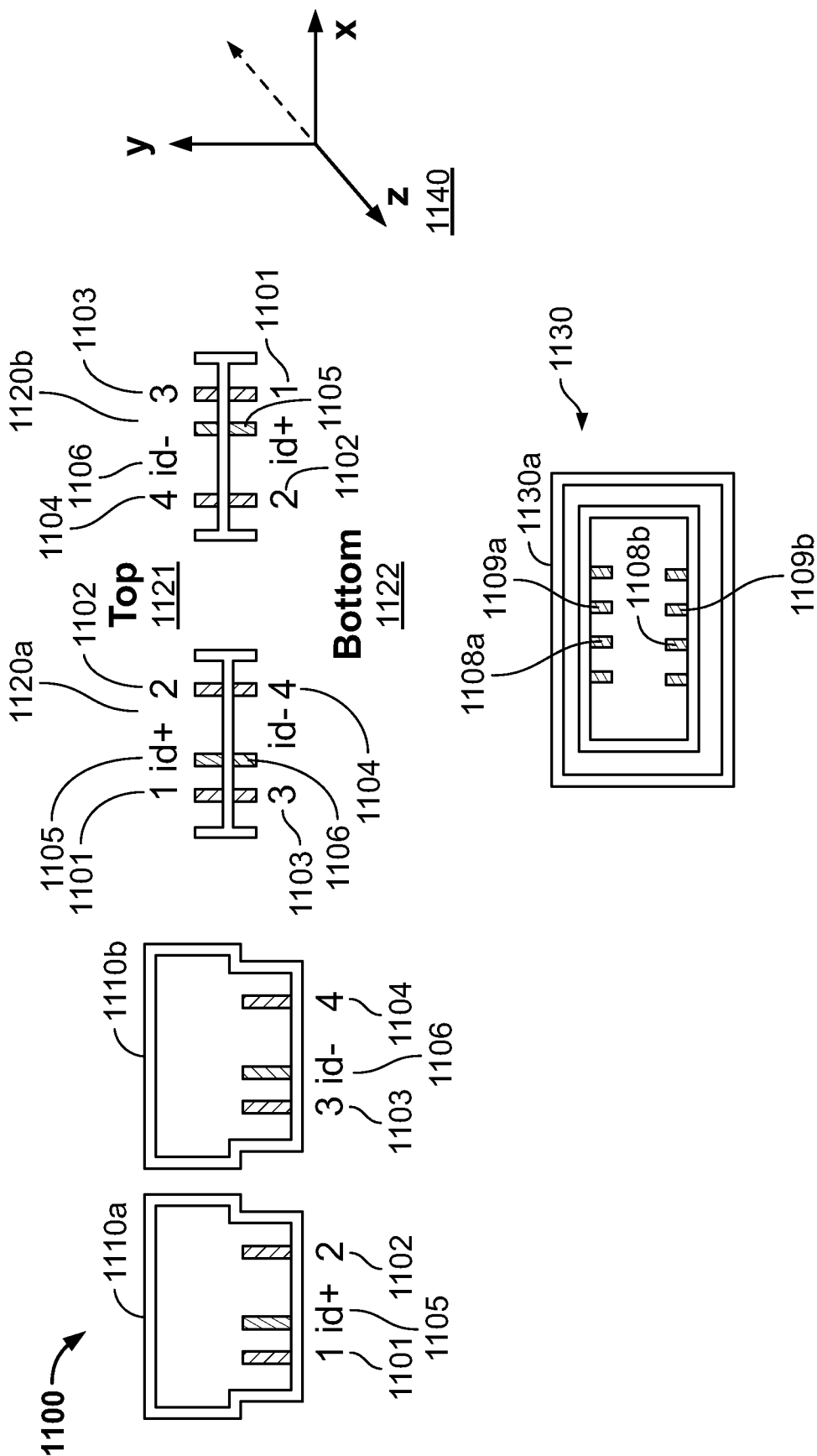


FIG. 11