

DOCUMENT MADE AVAILABLE UNDER THE PATENT COOPERATION TREATY (PCT)

International application number:	PCT/US2019/063768
International filing date:	27 November 2019 (27.11.2019)
Document type:	Certified copy of priority document
Document details:	Country/Office: US
	Number: 62/773,705
	Filing date: 30 November 2018 (30.11.2018)
Date of receipt at the International Bureau:	15 December 2019 (15.12.2019)

Remark: Priority document submitted or transmitted to the International Bureau in compliance with Rule 17.1(a),(b) or (b-bis)

1038949



THE UNITED STATES OF AMERICA

TO ALL TO WHOM THESE PRESENTS SHALL COME:

UNITED STATES DEPARTMENT OF COMMERCE

United States Patent and Trademark Office

December 14, 2019

THIS IS TO CERTIFY THAT ANNEXED HERETO IS A TRUE COPY FROM THE RECORDS OF THE UNITED STATES PATENT AND TRADEMARK OFFICE OF THOSE PAPERS OF THE BELOW IDENTIFIED PATENT APPLICATION THAT MET THE REQUIREMENTS TO BE GRANTED A FILING DATE.

APPLICATION NUMBER: 62/773,705

FILING DATE: November 30, 2018

RELATED PCT APPLICATION NUMBER: PCT/US19/63768

THE COUNTRY CODE AND NUMBER OF YOUR PRIORITY APPLICATION, TO BE USED FOR FILING ABROAD UNDER THE PARIS CONVENTION, IS US62/773,705



Certified by

Under Secretary of Commerce
for Intellectual Property
and Director of the United States
Patent and Trademark Office

Application Data Sheet 37 CFR 1.76		Attorney Docket Number	WICO.001
		Application Number	
Title of Invention	UNIVERSAL ELECTRICAL BOX SHIELD		
The application data sheet is part of the provisional or nonprovisional application for which it is being submitted. The following form contains the bibliographic data arranged in a format specified by the United States Patent and Trademark Office as outlined in 37 CFR 1.76. This document may be completed electronically and submitted to the Office in electronic format using the Electronic Filing System (EFS) or the document may be printed and included in a paper filed application.			

Secrecy Order 37 CFR 5.2:

Portions or all of the application associated with this Application Data Sheet may fall under a Secrecy Order pursuant to 37 CFR 5.2 (Paper filers only. Applications that fall under Secrecy Order may not be filed electronically.)

Inventor Information:

Inventor 1					
Legal Name					
Prefix	Given Name	Middle Name	Family Name	Suffix	
	COREY		WILLIAMSON		
Residence Information (Select One) <input checked="" type="radio"/> US Residency <input type="radio"/> Non US Residency <input type="radio"/> Active US Military Service					
City	VANCOUER	State/Province	WA	Country of Residence ⁱ	US
Mailing Address of Inventor:					
Address 1	6517 SE RIVERSIDE DRIVE				
Address 2					
City	VANCOUER	State/Province	WA		
Postal Code	98661	Country ⁱ	US		
All Inventors Must Be Listed - Additional Inventor Information blocks may be generated within this form by selecting the Add button. <input type="button" value="Add"/>					

Correspondence Information:

Enter either Customer Number or complete the Correspondence Information section below. For further information see 37 CFR 1.33(a).			
<input type="checkbox"/> An Address is being provided for the correspondence information of this application.			
Customer Number	23442		
Email Address	BEATTY@RYLANDERLAW.COM	<input type="button" value="Add Email"/>	<input type="button" value="Remove Email"/>
Email Address	FOX@RYLANDERLAW.COM	<input type="button" value="Add Email"/>	<input type="button" value="Remove Email"/>
Email Address	RYLANDER@RYLANDERLAW.COM		<input type="button" value="Remove Email"/>

Under the Paperwork Reduction Act of 1995, no persons are required to respond to a collection of information unless it contains a valid OMB control number.

Application Data Sheet 37 CFR 1.76		Attorney Docket Number	WICO.001
		Application Number	
Title of Invention	UNIVERSAL ELECTRICAL BOX SHIELD		

Application Information:

Title of the Invention	UNIVERSAL ELECTRICAL BOX SHIELD		
Attorney Docket Number	WICO.001	Small Entity Status Claimed	<input checked="" type="checkbox"/>
Application Type	Provisional		
Subject Matter	Utility		
Total Number of Drawing Sheets (if any)	1	Suggested Figure for Publication (if any)	1

Filing By Reference:

Only complete this section when filing an application by reference under 35 U.S.C. 111(c) and 37 CFR 1.57(a). Do not complete this section if application papers including a specification and any drawings are being filed. Any domestic benefit or foreign priority information must be provided in the appropriate section(s) below (i.e., "Domestic Benefit/National Stage Information" and "Foreign Priority Information").

For the purposes of a filing date under 37 CFR 1.53(b), the description and any drawings of the present application are replaced by this reference to the previously filed application, subject to conditions and requirements of 37 CFR 1.57(a).

Application number of the previously filed application	Filing date (YYYY-MM-DD)	Intellectual Property Authority or Country

Publication Information:

<input type="checkbox"/> Request Early Publication (Fee required at time of Request 37 CFR 1.219)
<input type="checkbox"/> Request Not to Publish. I hereby request that the attached application not be published under 35 U.S.C. 122(b) and certify that the invention disclosed in the attached application has not and will not be the subject of an application filed in another country, or under a multilateral international agreement, that requires publication at eighteen months after filing.

Representative Information:

Representative information should be provided for all practitioners having a power of attorney in the application. Providing this information in the Application Data Sheet does not constitute a power of attorney in the application (see 37 CFR 1.32). Either enter Customer Number or complete the Representative Name section below. If both sections are completed the customer Number will be used for the Representative Information during processing.

Please Select One:	<input checked="" type="radio"/> Customer Number	<input type="radio"/> US Patent Practitioner	<input type="radio"/> Limited Recognition (37 CFR 11.9)		
Customer Number	23442				
Prefix	Given Name	Middle Name	Family Name	Suffix	<input type="button" value="Remove"/>
Registration Number					

Under the Paperwork Reduction Act of 1995, no persons are required to respond to a collection of information unless it contains a valid OMB control number.

Application Data Sheet 37 CFR 1.76		Attorney Docket Number	WICO.001
		Application Number	
Title of Invention	UNIVERSAL ELECTRICAL BOX SHIELD		

Prefix	Given Name	Middle Name	Family Name	Suffix	Remove
Registration Number					
Additional Representative Information blocks may be generated within this form by selecting the Add button.					

Domestic Benefit/National Stage Information:

This section allows for the applicant to either claim benefit under 35 U.S.C. 119(e), 120, 121, 365(c), or 386(c) or indicate National Stage entry from a PCT application. Providing benefit claim information in the Application Data Sheet constitutes the specific reference required by 35 U.S.C. 119(e) or 120, and 37 CFR 1.78.

When referring to the current application, please leave the "Application Number" field blank.

Prior Application Status	Remove		
Application Number	Continuity Type	Prior Application Number	Filing or 371(c) Date (YYYY-MM-DD)
Additional Domestic Benefit/National Stage Data may be generated within this form by selecting the Add button.			

Foreign Priority Information:

This section allows for the applicant to claim priority to a foreign application. Providing this information in the application data sheet constitutes the claim for priority as required by 35 U.S.C. 119(b) and 37 CFR 1.55. When priority is claimed to a foreign application that is eligible for retrieval under the priority document exchange program (PDX) the information will be used by the Office to automatically attempt retrieval pursuant to 37 CFR 1.55(i)(1) and (2). Under the PDX program, applicant bears the ultimate responsibility for ensuring that a copy of the foreign application is received by the Office from the participating foreign intellectual property office, or a certified copy of the foreign priority application is filed, within the time period specified in 37 CFR 1.55(g)(1).

Application Number	Country ⁱ	Filing Date (YYYY-MM-DD)	Access Code ⁱ (if applicable)
Additional Foreign Priority Data may be generated within this form by selecting the Add button.			

Statement under 37 CFR 1.55 or 1.78 for AIA (First Inventor to File) Transition Applications

This application (1) claims priority to or the benefit of an application filed before March 16, 2013 and (2) also contains, or contained at any time, a claim to a claimed invention that has an effective filing date on or after March 16, 2013.

NOTE: By providing this statement under 37 CFR 1.55 or 1.78, this application, with a filing date on or after March 16, 2013, will be examined under the first inventor to file provisions of the AIA.

Under the Paperwork Reduction Act of 1995, no persons are required to respond to a collection of information unless it contains a valid OMB control number.

Application Data Sheet 37 CFR 1.76	Attorney Docket Number	WICO.001
	Application Number	
Title of Invention	UNIVERSAL ELECTRICAL BOX SHIELD	

Authorization or Opt-Out of Authorization to Permit Access:

When this Application Data Sheet is properly signed and filed with the application, applicant has provided written authority to permit a participating foreign intellectual property (IP) office access to the instant application-as-filed (see paragraph A in subsection 1 below) and the European Patent Office (EPO) access to any search results from the instant application (see paragraph B in subsection 1 below).

Should applicant choose not to provide an authorization identified in subsection 1 below, applicant **must opt-out** of the authorization by checking the corresponding box A or B or both in subsection 2 below.

NOTE: This section of the Application Data Sheet is **ONLY** reviewed and processed with the **INITIAL** filing of an application. After the initial filing of an application, an Application Data Sheet cannot be used to provide or rescind authorization for access by a foreign IP office(s). Instead, Form PTO/SB/39 or PTO/SB/69 must be used as appropriate.

1. Authorization to Permit Access by a Foreign Intellectual Property Office(s)

A. Priority Document Exchange (PDX) - Unless box A in subsection 2 (opt-out of authorization) is checked, the undersigned hereby **grants the USPTO authority** to provide the European Patent Office (EPO), the Japan Patent Office (JPO), the Korean Intellectual Property Office (KIPO), the State Intellectual Property Office of the People's Republic of China (SIPO), the World Intellectual Property Organization (WIPO), and any other foreign intellectual property office participating with the USPTO in a bilateral or multilateral priority document exchange agreement in which a foreign application claiming priority to the instant patent application is filed, access to: (1) the instant patent application-as-filed and its related bibliographic data, (2) any foreign or domestic application to which priority or benefit is claimed by the instant application and its related bibliographic data, and (3) the date of filing of this Authorization. See 37 CFR 1.14(h)(1).

B. Search Results from U.S. Application to EPO - Unless box B in subsection 2 (opt-out of authorization) is checked, the undersigned hereby **grants the USPTO authority** to provide the EPO access to the bibliographic data and search results from the instant patent application when a European patent application claiming priority to the instant patent application is filed. See 37 CFR 1.14(h)(2).

The applicant is reminded that the EPO's Rule 141(1) EPC (European Patent Convention) requires applicants to submit a copy of search results from the instant application without delay in a European patent application that claims priority to the instant application.

2. Opt-Out of Authorizations to Permit Access by a Foreign Intellectual Property Office(s)

A. Applicant **DOES NOT** authorize the USPTO to permit a participating foreign IP office access to the instant application-as-filed. If this box is checked, the USPTO will not be providing a participating foreign IP office with any documents and information identified in subsection 1A above.

B. Applicant **DOES NOT** authorize the USPTO to transmit to the EPO any search results from the instant patent application. If this box is checked, the USPTO will not be providing the EPO with search results from the instant application.

NOTE: Once the application has published or is otherwise publicly available, the USPTO may provide access to the application in accordance with 37 CFR 1.14.

Under the Paperwork Reduction Act of 1995, no persons are required to respond to a collection of information unless it contains a valid OMB control number.

Application Data Sheet 37 CFR 1.76	Attorney Docket Number	WICO.001
	Application Number	
Title of Invention	UNIVERSAL ELECTRICAL BOX SHIELD	

Applicant Information:

Providing assignment information in this section does not substitute for compliance with any requirement of part 3 of Title 37 of CFR to have an assignment recorded by the Office.

Applicant 1

If the applicant is the inventor (or the remaining joint inventor or inventors under 37 CFR 1.45), this section should not be completed. The information to be provided in this section is the name and address of the legal representative who is the applicant under 37 CFR 1.43; or the name and address of the assignee, person to whom the inventor is under an obligation to assign the invention, or person who otherwise shows sufficient proprietary interest in the matter who is the applicant under 37 CFR 1.46. If the applicant is an applicant under 37 CFR 1.46 (assignee, person to whom the inventor is obligated to assign, or person who otherwise shows sufficient proprietary interest) together with one or more joint inventors, then the joint inventor or inventors who are also the applicant should be identified in this section.

Clear

- Assignee
 Legal Representative under 35 U.S.C. 117
 Joint Inventor
- Person to whom the inventor is obligated to assign.
 Person who shows sufficient proprietary interest

If applicant is the legal representative, indicate the authority to file the patent application, the inventor is:

Name of the Deceased or Legally Incapacitated Inventor:

If the Applicant is an Organization check here.

Prefix	Given Name	Middle Name	Family Name	Suffix

Mailing Address Information For Applicant:

Address 1			
Address 2			
City		State/Province	
Country ¹		Postal Code	
Phone Number		Fax Number	
Email Address			

Additional Applicant Data may be generated within this form by selecting the Add button.

Under the Paperwork Reduction Act of 1995, no persons are required to respond to a collection of information unless it contains a valid OMB control number.

Application Data Sheet 37 CFR 1.76	Attorney Docket Number	WICO.001
	Application Number	
Title of Invention	UNIVERSAL ELECTRICAL BOX SHIELD	

Assignee Information including Non-Applicant Assignee Information:

Providing assignment information in this section does not substitute for compliance with any requirement of part 3 of Title 37 of CFR to have an assignment recorded by the Office.

Assignee 1				
Complete this section if assignee information, including non-applicant assignee information, is desired to be included on the patent application publication. An assignee-applicant identified in the "Applicant Information" section will appear on the patent application publication as an applicant. For an assignee-applicant, complete this section only if identification as an assignee is also desired on the patent application publication.				
If the Assignee or Non-Applicant Assignee is an Organization check here. <input type="checkbox"/>				
Prefix	Given Name	Middle Name	Family Name	Suffix
Mailing Address Information For Assignee including Non-Applicant Assignee:				
Address 1				
Address 2				
City		State/Province		
Country ⁱ	Postal Code			
Phone Number		Fax Number		
Email Address				
Additional Assignee or Non-Applicant Assignee Data may be generated within this form by selecting the Add button.				

Under the Paperwork Reduction Act of 1995, no persons are required to respond to a collection of information unless it contains a valid OMB control number.

Application Data Sheet 37 CFR 1.76		Attorney Docket Number	WICO.001
		Application Number	
Title of Invention	UNIVERSAL ELECTRICAL BOX SHIELD		

Signature:

NOTE: This Application Data Sheet must be signed in accordance with 37 CFR 1.33(b). **However, if this Application Data Sheet is submitted with the INITIAL filing of the application and either box A or B is not checked in subsection 2 of the "Authorization or Opt-Out of Authorization to Permit Access" section, then this form must also be signed in accordance with 37 CFR 1.14(c).**

This Application Data Sheet **must** be signed by a patent practitioner if one or more of the applicants is a **juristic entity** (e.g., corporation or association). If the applicant is two or more joint inventors, this form must be signed by a patent practitioner, **all** joint inventors who are the applicant, or one or more joint inventor-applicants who have been given power of attorney (e.g., see USPTO Form PTO/AIA/81) on behalf of **all** joint inventor-applicants.

See 37 CFR 1.4(d) for the manner of making signatures and certifications.

Signature	/Mark E. Beatty/		Date (YYYY-MM-DD)		
First Name	MARK	Last Name	BEATTY	Registration Number	60623

Additional Signature may be generated within this form by selecting the Add button.

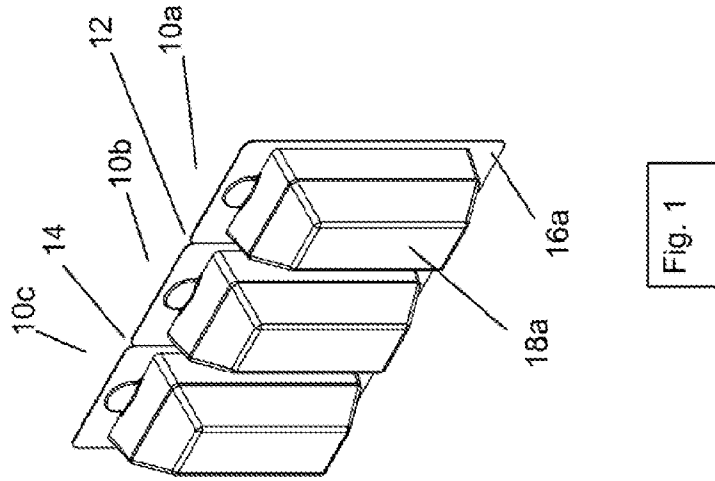


Fig. 1

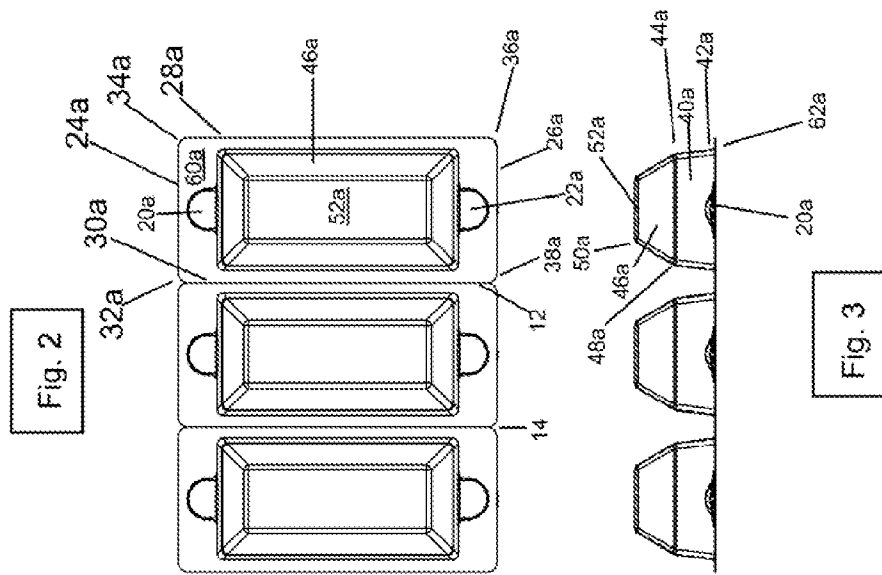


Fig. 2



Fig. 3

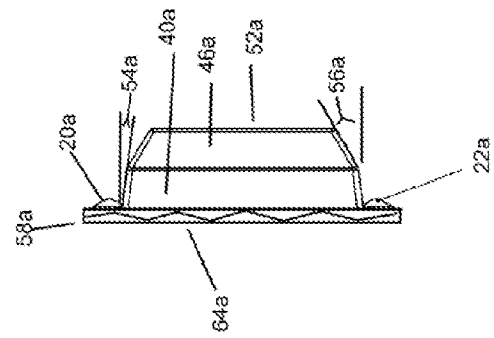


Fig. 4

Electronic Acknowledgement Receipt

EFS ID:	34454151
Application Number:	62773705
International Application Number:	
Confirmation Number:	3403
Title of Invention:	UNIVERSAL ELECTRICAL BOX SHIELD
First Named Inventor/Applicant Name:	COREY WILLIAMSON
Customer Number:	23442
Filer:	Mark E. Beatty
Filer Authorized By:	
Attorney Docket Number:	WICO.001
Receipt Date:	30-NOV-2018
Filing Date:	
Time Stamp:	16:34:46
Application Type:	Provisional

Payment information:

Submitted with Payment	yes
Payment Type	CARD
Payment was successfully received in RAM	\$ 140
RAM confirmation Number	120318INTEFSW16362001
Deposit Account	
Authorized User	

The Director of the USPTO is hereby authorized to charge indicated fees and credit any overpayment as follows:

File Listing:					
Document Number	Document Description	File Name	File Size(Bytes)/ Message Digest	Multi Part /.zip	Pages (if appl.)
1	Application Data Sheet	WebADS.pdf	116882	no	7
			1955892cb0e735226879ed162c221d7e85c27a0c		
Warnings:					
Information:					
2	Specification	WICO001-Specification-filed.pdf	133885	no	7
			9f9aad9265944a7d2119c3b09ccab1bc43922ae		
Warnings:					
Information:					
3	Drawings-only black and white line drawings	WICO001-Figures-filed.pdf	642278	no	1
			95d982570ca0cb5df87809c55fb041bfdffb5ae		
Warnings:					
Information:					
4	Fee Worksheet (SB06)	fee-info.pdf	29371	no	2
			380b110caded8fc6ae5766ddceea717ca471d3e1		
Warnings:					
Information:					
Total Files Size (in bytes):			922416		

This Acknowledgement Receipt evidences receipt on the noted date by the USPTO of the indicated documents, characterized by the applicant, and including page counts, where applicable. It serves as evidence of receipt similar to a Post Card, as described in MPEP 503.

New Applications Under 35 U.S.C. 111

If a new application is being filed and the application includes the necessary components for a filing date (see 37 CFR 1.53(b)-(d) and MPEP 506), a Filing Receipt (37 CFR 1.54) will be issued in due course and the date shown on this Acknowledgement Receipt will establish the filing date of the application.

National Stage of an International Application under 35 U.S.C. 371

If a timely submission to enter the national stage of an international application is compliant with the conditions of 35 U.S.C. 371 and other applicable requirements a Form PCT/DO/EO/903 indicating acceptance of the application as a national stage submission under 35 U.S.C. 371 will be issued in addition to the Filing Receipt, in due course.

New International Application Filed with the USPTO as a Receiving Office

If a new international application is being filed and the international application includes the necessary components for an international filing date (see PCT Article 11 and MPEP 1810), a Notification of the International Application Number and of the International Filing Date (Form PCT/RO/105) will be issued in due course, subject to prescriptions concerning national security, and the date shown on this Acknowledgement Receipt will establish the international filing date of the application.

US PROVISIONAL PATENT APPLICATION

Docket: WICO.001

Inventor: Corey Williamson

UNIVERSAL ELECTRICAL BOX SHIELD

FIELD OF THE INVENTION

[0001] The present invention relates to temporary covers for sockets, such as electrical outlets, phone/data outlets, and light switches.

BACKGROUND

[0002] When a home or office is painted, or when walls are sprayed with texture compounds, the application crews either must detach outlet and switch covers, and then tape over the exposed openings, in order to ensure paint covers the wall behind the covers but does not coat the electrical components and other components that will be exposed after re-installing the covers (e.g. the switches themselves and the plastic socket plug faces). The tape is never foolproof and inevitably leaks, allowing paint to overspray the plug faces and switches. This leakage often requires time consuming cleaning or even necessitates replacement of the assembly. Additionally, the process of taping over the openings is itself time consuming. Removing tape, especially after becoming embrittled by paint and/or wall coatings, is also time consuming. In this context, "time consuming" means additional cost related to the particular job, and fewer jobs completed over a given span of time. Commercial painting is a highly competitive field, so even seemingly minor costs and lost time can mean losing a job or significant impacts on the painters' margins.

[0003] Beyond the efficiency issues, the process of taping over open electrical boxes carries heightened risks of shock from inadvertent contact with exposed wiring and components, especially considering that paint crews tend to include many unskilled workers. The ability to simply press a cover over a box increases separation distance, does not require touching the box with fingers, and therefore increases safety.

[0004] Thus, there is a need for a universal outlet cover which can be installed quickly and reliably to cover any standard size outlet or switch box, is inexpensive, easily removed, and easily scaled to cover multiple outlet boxes, and providing improved safety for users.

BRIEF DESCRIPTION OF THE DRAWINGS

[0005] The accompanying drawings, which are incorporated into and constitute a part of this specification, illustrate one or more embodiments of the present invention and, together with the detailed description, serve to explain the principles and implementations of the invention.

[0006] FIG. 1 shows a top-front perspective view of a First Embodiment.

[0007] FIG. 2 shows front view of a First Embodiment.

[0008] FIG. 3 shows top view of a First Embodiment.

[0009] FIG. 4 shows side view of a First Embodiment.

DETAILED DESCRIPTION

[0010] Before beginning a detailed description of the subject invention, mention of the following is in order. When appropriate, like reference materials and characters are used to designate identical, corresponding, or similar components in differing figure drawings. The

figure drawings associated with this disclosure typically are not drawn with dimensional accuracy to scale, i.e., such drawings have been drafted with a focus on clarity of viewing and understanding rather than dimensional accuracy.

[0011] In the interest of clarity, not all of the routine features of the implementations described herein are shown and described. It will, of course, be appreciated that in the development of any such actual implementation, numerous implementation-specific decisions must be made in order to achieve the developer's specific goals, such as compliance with application- and business-related constraints, and that these specific goals will vary from one implementation to another and from one developer to another. Moreover, it will be appreciated that such a development effort might be complex and time-consuming, but would nevertheless be a routine undertaking of engineering for those of ordinary skill in the art having the benefit of this disclosure.

[0012] As shown in **Figs. 1-4** a First Embodiment of a universal electrical box shield **10** is provided, including three shields **10a**, **10b** and **10c**, connected along partible longitudinal seams **12** and **14**. Partible seams **12** and **14** allow easy manual separation of shields **10a**, **10b** and **10c** for use individual use on single switch boxes and/or standard dual-plug outlet boxes. Alternatively, a user may leave several shields connected in order to cover larger boxes, such as multi-switch and/or quad-plug outlet boxes.

[0013] In the First Embodiment, shields **10a**, **10b** and **10c** are essentially identical (except for the relative locations of partible longitudinal seams **12** and **14**), so a single shield **10a** will be described in detail with the understanding that shields **10b** and **10c** include identical structures. For purposes of description, the surfaces which mount against the wall

are referred to as the “back” side, while the opposite surfaces facing away from the wall when mounted to a wall are referred to as the “front” side.

[0014] Shield **10a** includes a surrounding sealing flange **16a**, a first pocket **18a**, and second and third pockets **20a** and **22a** disposed proximate opposite ends of first pocket **18a**.

[0015] Sealing flange **16a** is planar, including a front surface **60a** and opposed back surface **62a**, and extends longitudinally from first transverse edge **24a** to opposite second transverse edge **26a**, and from first lateral edge **28a** to opposite second lateral edge **30a**. In the Embodiment, sealing flange corners **32a**, **34a**, **36a** and **38a** are radiused for safety, and to make it easier to separate shields **10a**, **10b** and **10c** along longitudinal seams **12** and **14**.

[0016] First pocket **18a** is defined by a first enclosing sidewall **40a** extending out from sealing flange **16a** from first sidewall first edge **42a** to first sidewall second edge **44a**, second enclosing sidewall **46a** extending out from first sidewall **40a** from second sidewall first edge **48a** to second sidewall second edge **50a**, and front face wall **52a** which extends to and sealingly joins with second sidewall second edge **50a**. First sidewall second edge **44a** is sealingly joined with second sidewall first edge **48a** and first sidewall first edge **42a** is sealingly joined to sealing flange **16a**. First sidewall **40a** is slightly inclined toward the center at a first angle **54a**, and second sidewall **46a** is inclined toward the center at a second angle **56a**, with second angle **56a** greater than first angle **54a**, forming a stepped-beveled structure. First pocket **18a** provides clearance for common switch sizes. Alternatively, first pocket **18a** could form a rectangular cube or curved dome shape. The stepped-bevel structure provides several advantages, including that it provides a reduced-volume displacement, improved structural stability for the shield **10a** over a rectangular cube (which in the Embodiment is made from thin clear plastic film), and ease of manufacture as a rectilinear mold is less

expensive to fabricate than a curved dome shape. Beveled and dome shapes also reduce risk of paint drips which are more prone to form along the bottom corner edges of a rectangular cube pocket **18a**.

[0017] Second and third pockets **20a** and **22a** are formed as small bubbles projecting out from sealing flange **16a**, sized to provide clearance for the top and bottom (or left and right) screw heads from the electrical box mounting screws.

[0018] Shield **10a** includes an adhesive layer **58a** which is disposed as a continuous barrier around the continuous outer region (i.e. proximate edges **24a**, **26a**, **28a** and **30a**) of the back surface **62a** of sealing flange **16a**. In the Embodiment, adhesive layer **58a** is a soft foam film firmly bonded to sealing flange back surface **62a** but including a removable adhesive back surface **64a** to removably adhere to a wall. Adhesive layer **58a** may also be composed of other double-sided tape materials, or directly applied adhesive substance. Alternatively, adhesive layer **58a** may extend partially along the sealing flange back surface **62a**, for example along the top and bottom portions, for situations where risk of side leakage is reduced or a lesser concern. Adhesive later **58a** may include a material which is rated as an electrical insulator for improved safety.

[0019] In the Embodiment, sealing flange **16a** is 4.00 inches (101.6 mm) from first transverse edge **24a** to second transvers edge **26a**, and 1.81 inches (46 mm) from first lateral edge **28a** to second lateral edge **30a**; and, first pocket **18a** is 3.00 inches (76.2 mm) in length by 1.50 inches (38.1 mm) in width along the first sidewall first edge **42a**; and, first pocket first and second sidewalls **40a** and **46a** each project outward 0.50 inches (12.7 mm), for a total depth of 1.00 inches (25.4 mm). These dimensions provide sufficient clearance to fit closely over a standard sized switch box or dual-plug outlet box in the United States.

[0020] Shields **10** may be provided in single shield configurations, in single-shield strips containing a plurality of shields connected side-by-side, or in arrays with pluralities of shields connected along side seams and end seams. The shields **10** are scalable, in that a user may simply leave a plurality of shields connected at their partible seams in order to cover a larger area.

[0021] In the Embodiment, shields **10** are formed from unitary sheets of thin clear plastic.

[0022] Those skilled in the art will recognize that numerous modifications and changes may be made to the preferred embodiment without departing from the scope of the claimed invention. It will, of course, be understood that modifications of the invention, in its various aspects, will be apparent to those skilled in the art, some being apparent only after study, others being matters of routine mechanical, chemical and electronic design. No single feature, function or property of the preferred embodiment is essential. Other embodiments are possible, their specific designs depending upon the particular application. As such, the scope of the invention should not be limited by the particular embodiments herein described but should be defined only by the appended claims and equivalents thereof.

CLAIMS

I claim:

1. A universal electrical box shield, comprising:
 - a sealing flange including a front surface and a back surface;
 - a first pocket extending out from the front surface of the sealing flange;
 - an adhesive layer including a first surface bonded to the sealing flange back surface and a second surface with a removably adhesive application;wherein the sealing flange and first pocket are dimensioned to go over a selected type of electrical box.
2. The apparatus of claim 1, further comprising:
 - wherein the first pocket is double-beveled.
3. The apparatus of claim 1, further comprising:
 - wherein the first pocket is domed.
4. The apparatus of claim 1, further comprising:
 - wherein the first pocket is a rectangular cube shape.
5. The apparatus of claims 1, 2, 3 or 4, further comprising:
 - second and third pockets disposed proximate opposed ends of the first pocket,
 - the second and third pockets dimensioned to provide clearance for the electrical box mounting screws.