

SUBMITTED ONLINE

Commissioner of Patents
P O Box 200
Woden ACT 2606

SPRUSON & FERGUSON
Sydney NSW
Speed Dial 509
(CCN 3710000177)

17 September, 2018

Our Ref: P274689PCT:GMT
Telephone Contact: Greg Turner

Dear Madam

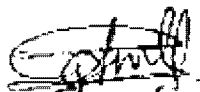
International (PCT) Patent Application No. PCT/AU2018/000136
Breville Pty Limited
A cleaning tool

In response to the invitation to correct defects in the above PCT application of 20 August 2018, we now attach formal drawings.

In the absence of your instructions to the contrary, we will assume this corrects all defects.

Yours faithfully

SPRUSON & FERGUSON



Anitha Tamma
Foreign Lodgements

Fig. 1

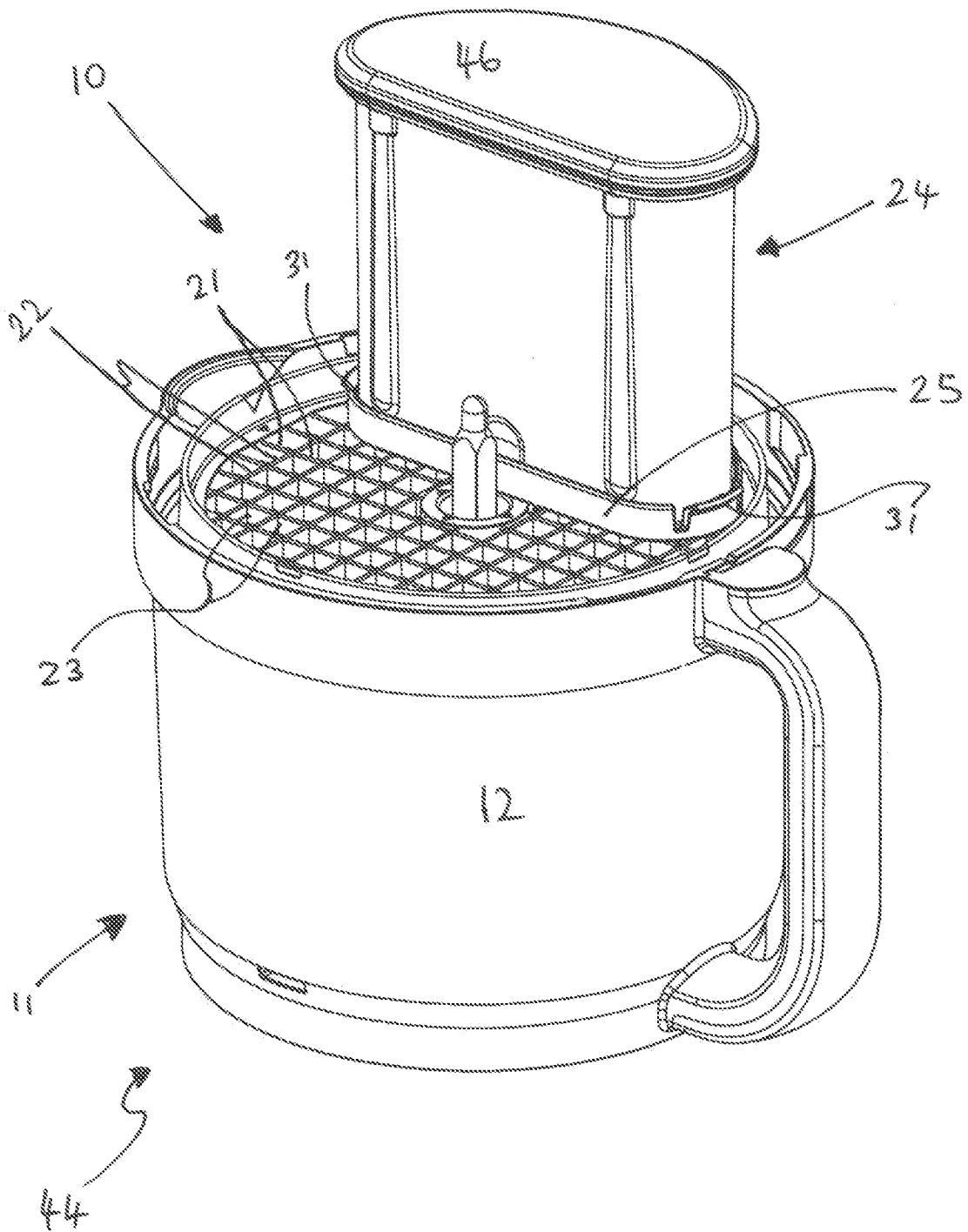
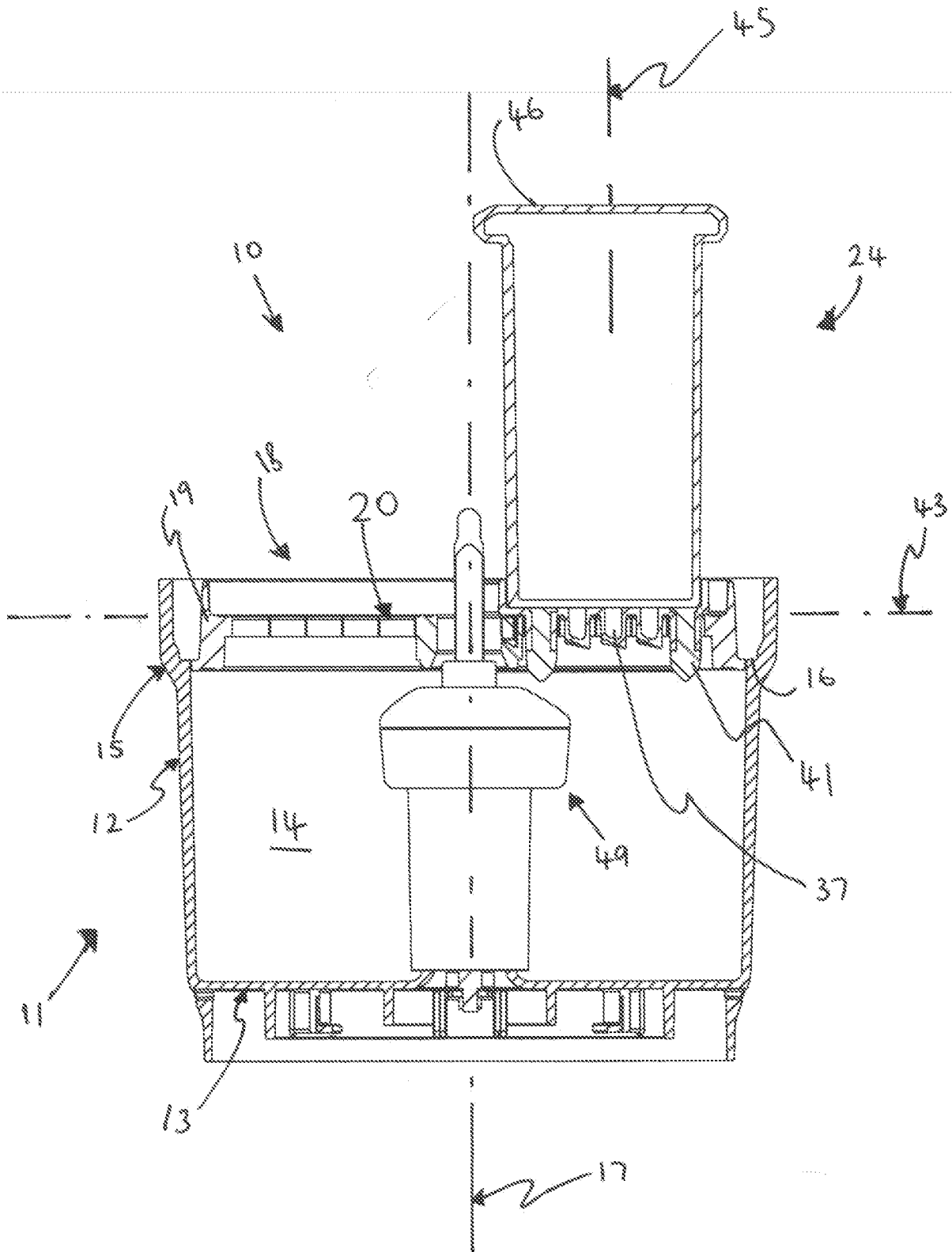
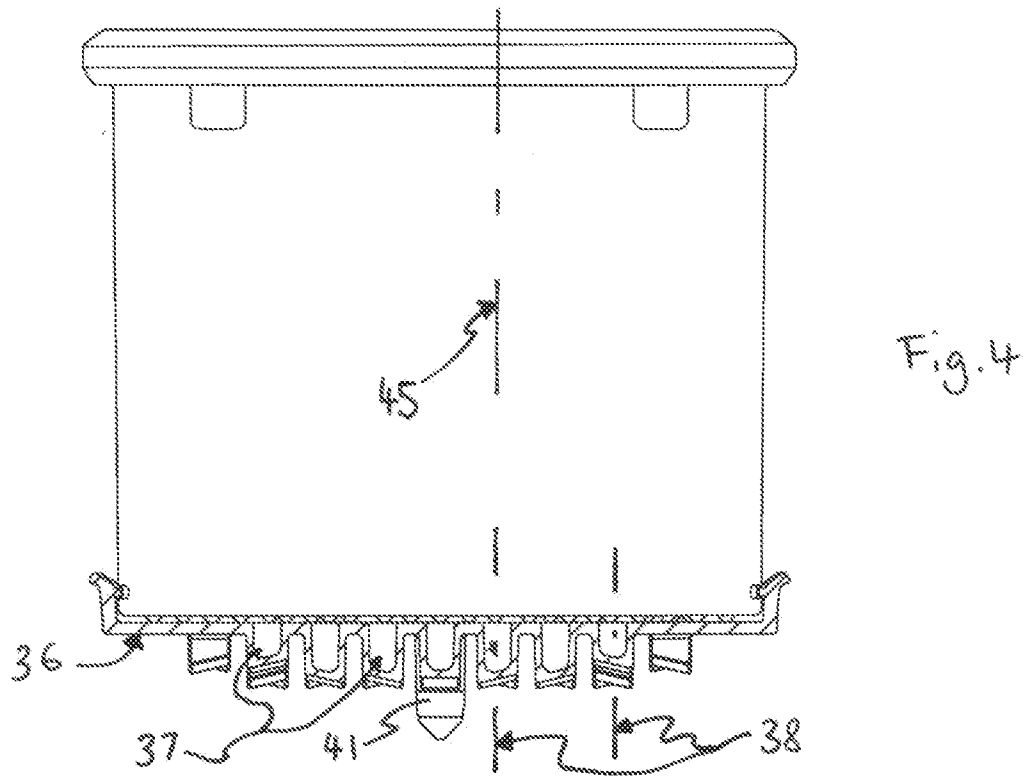
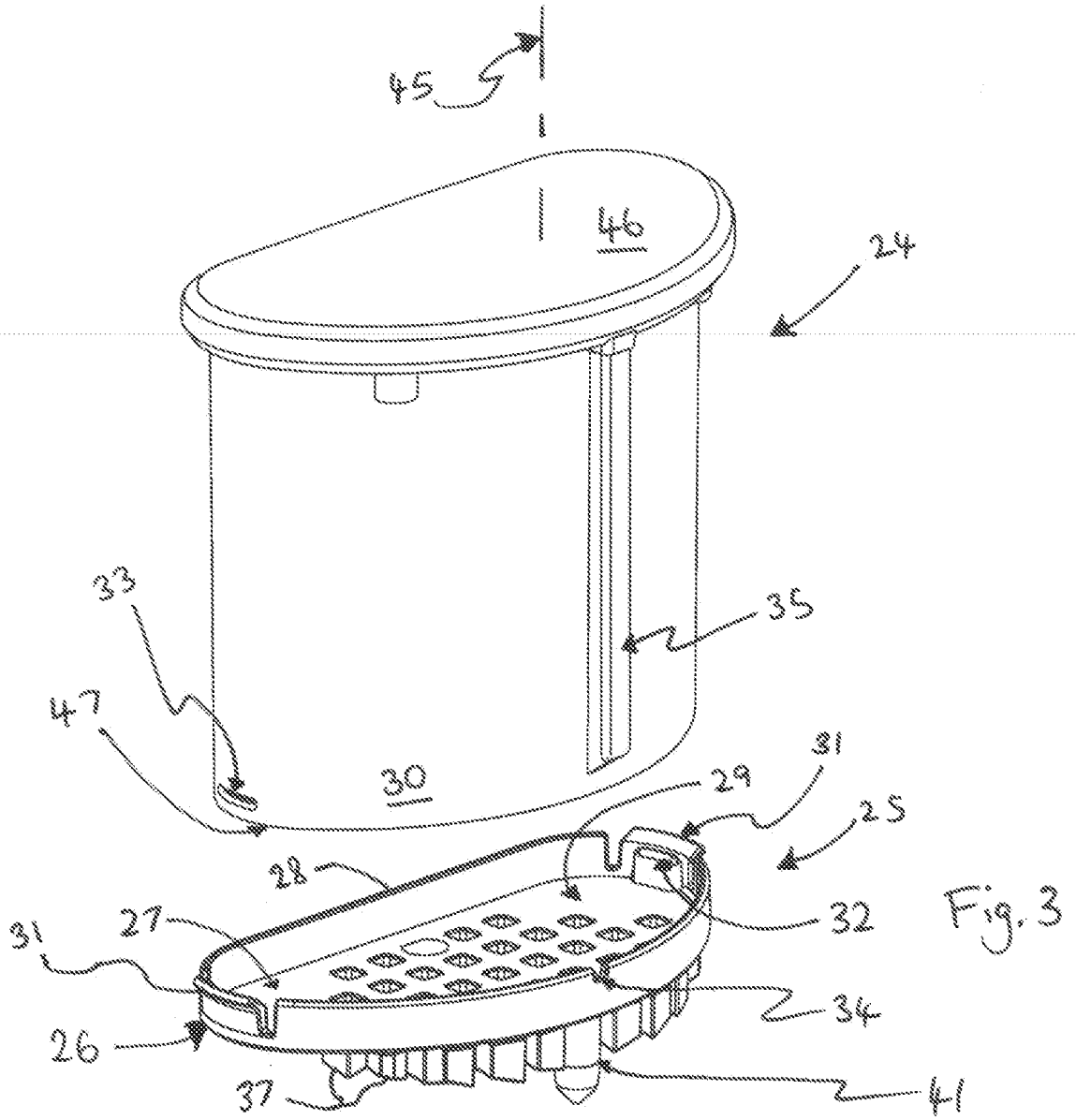
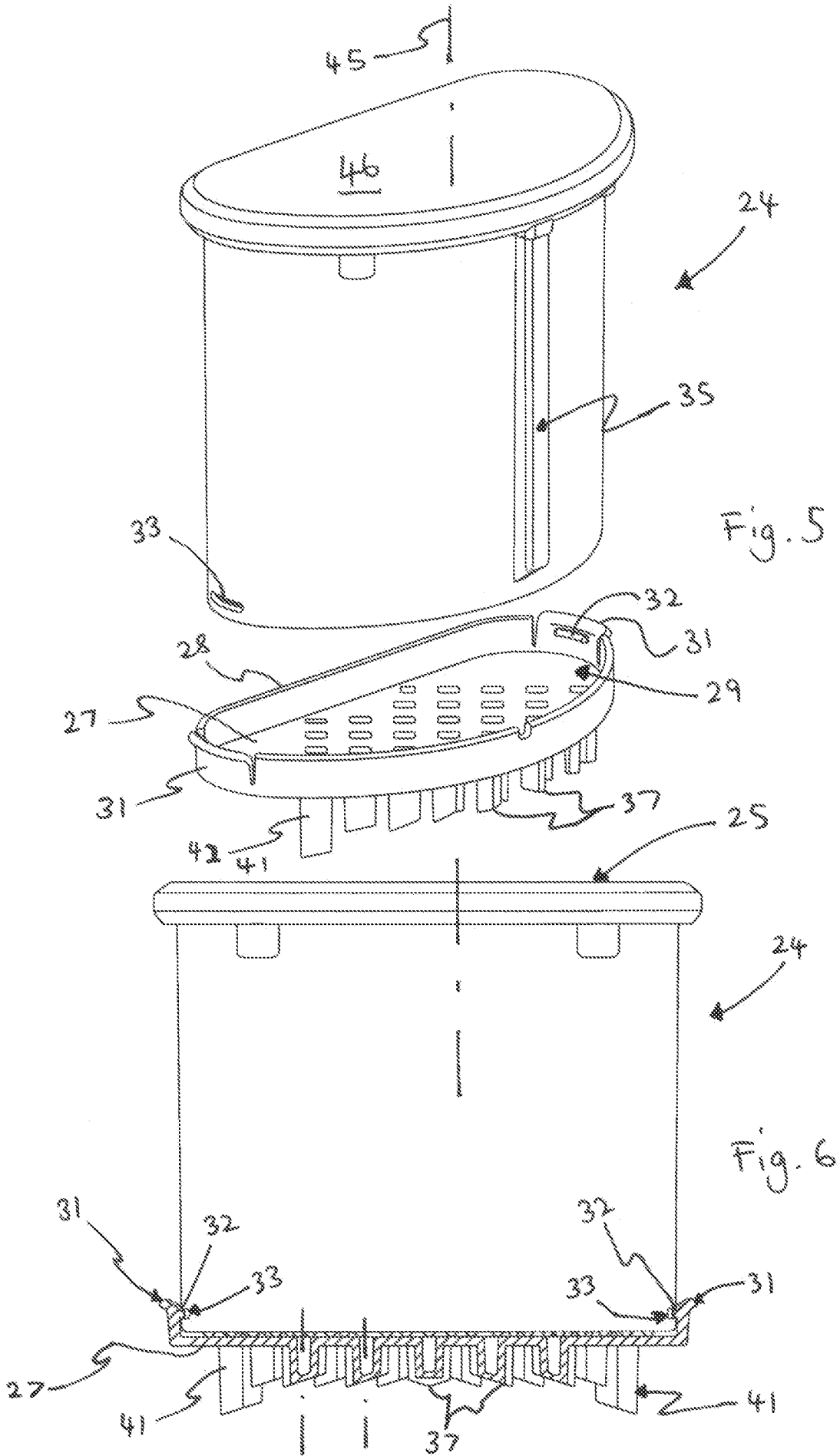


Fig. 2







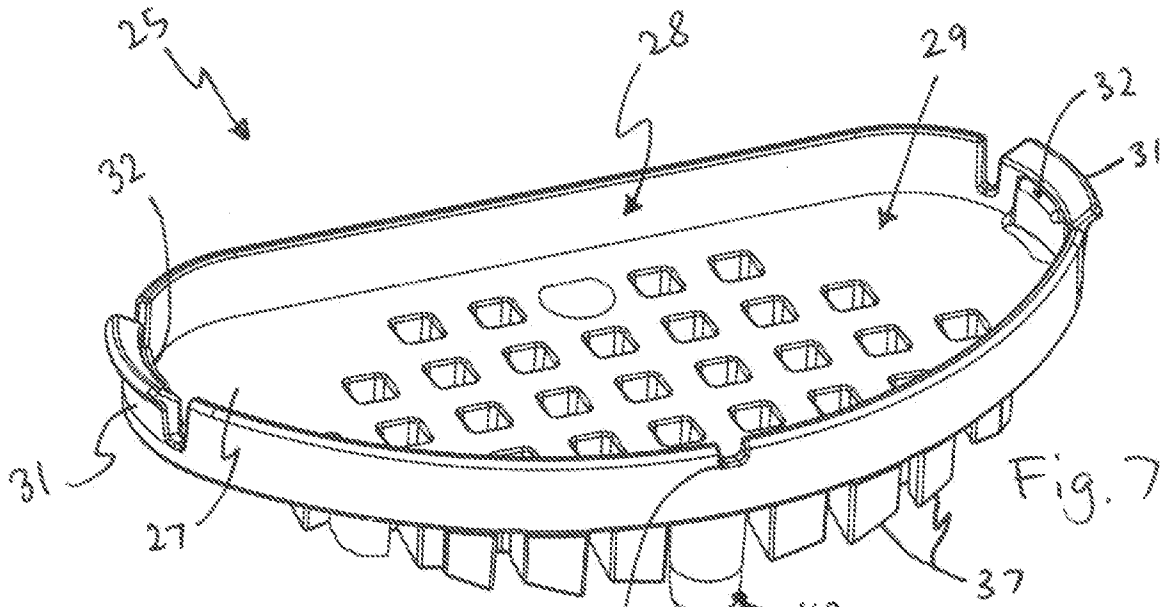


Fig. 7

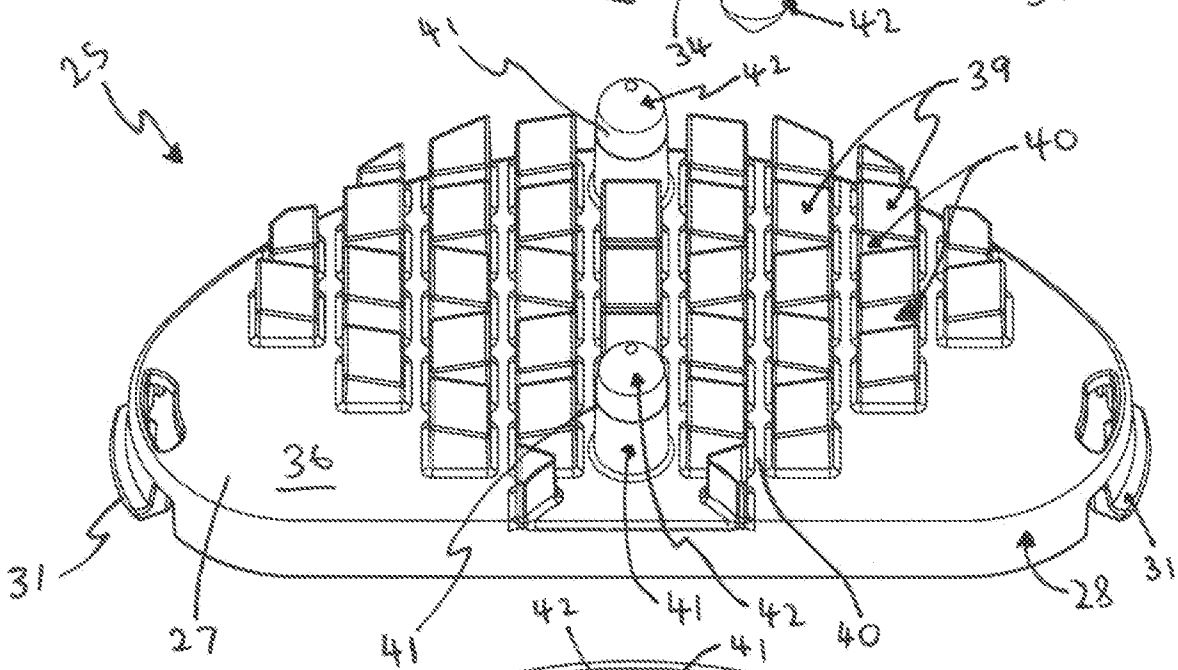


Fig. 8

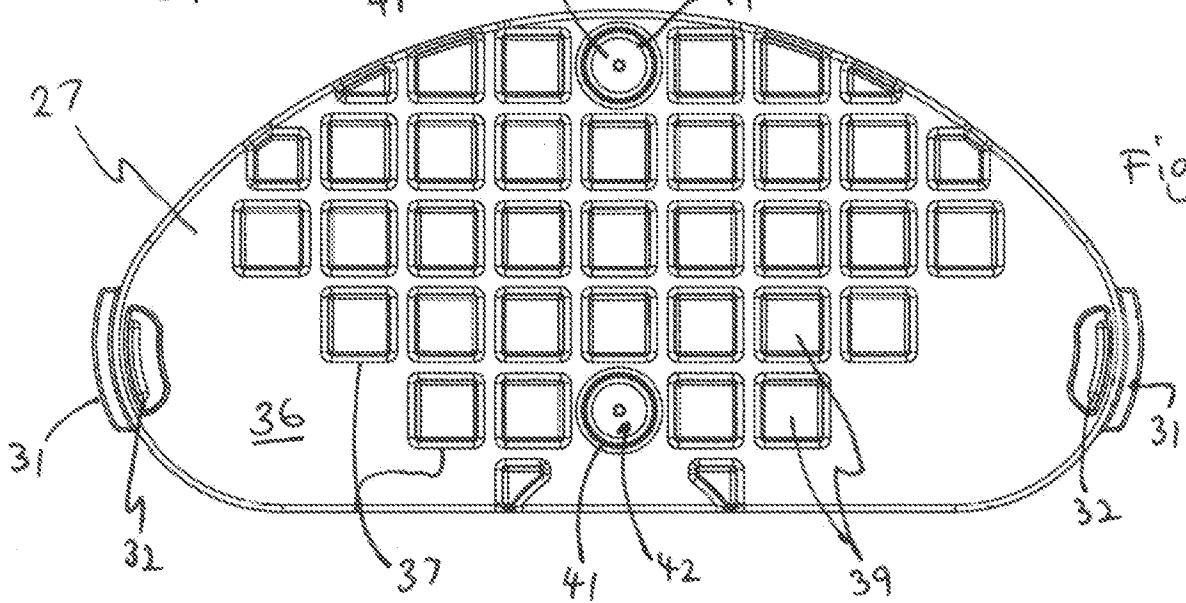
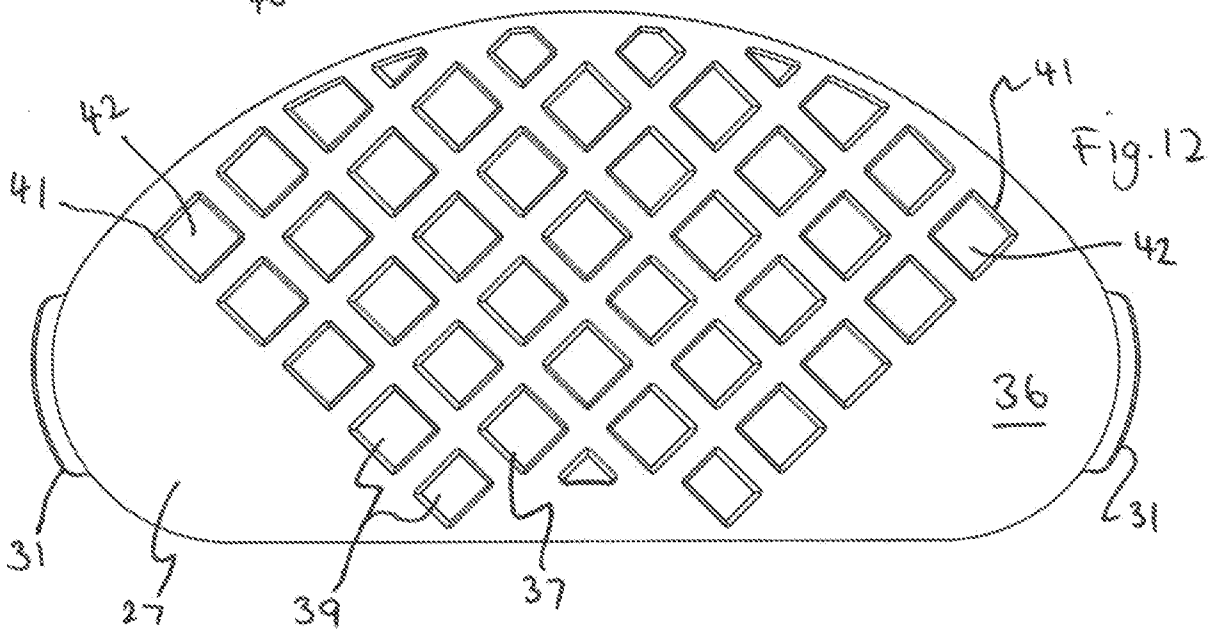
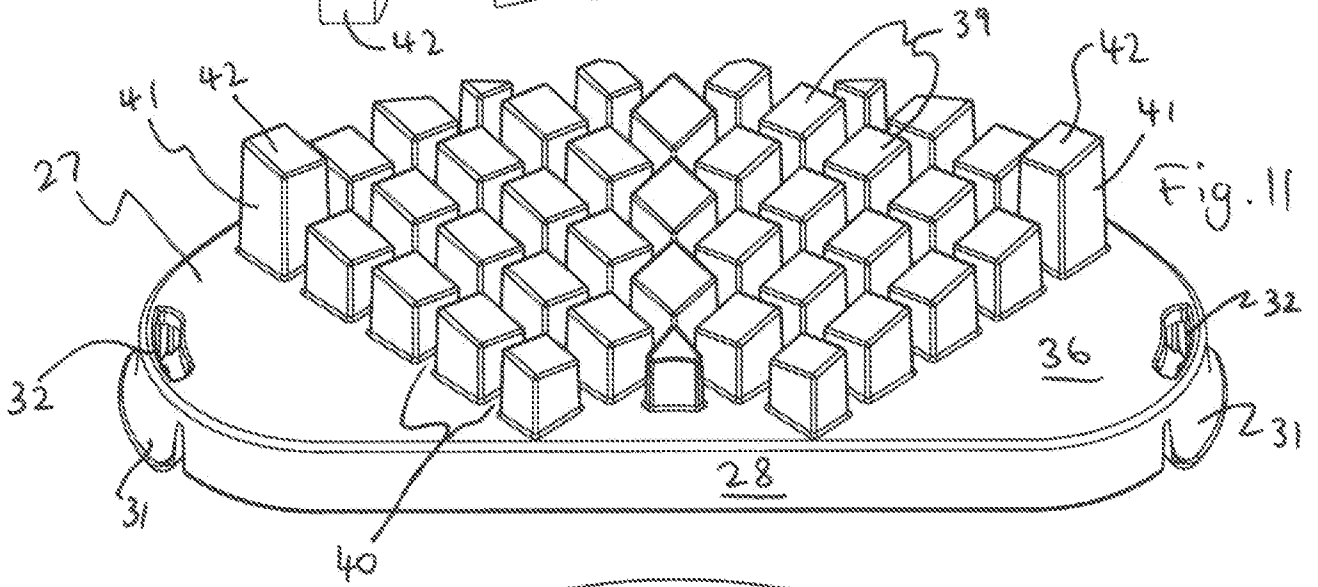
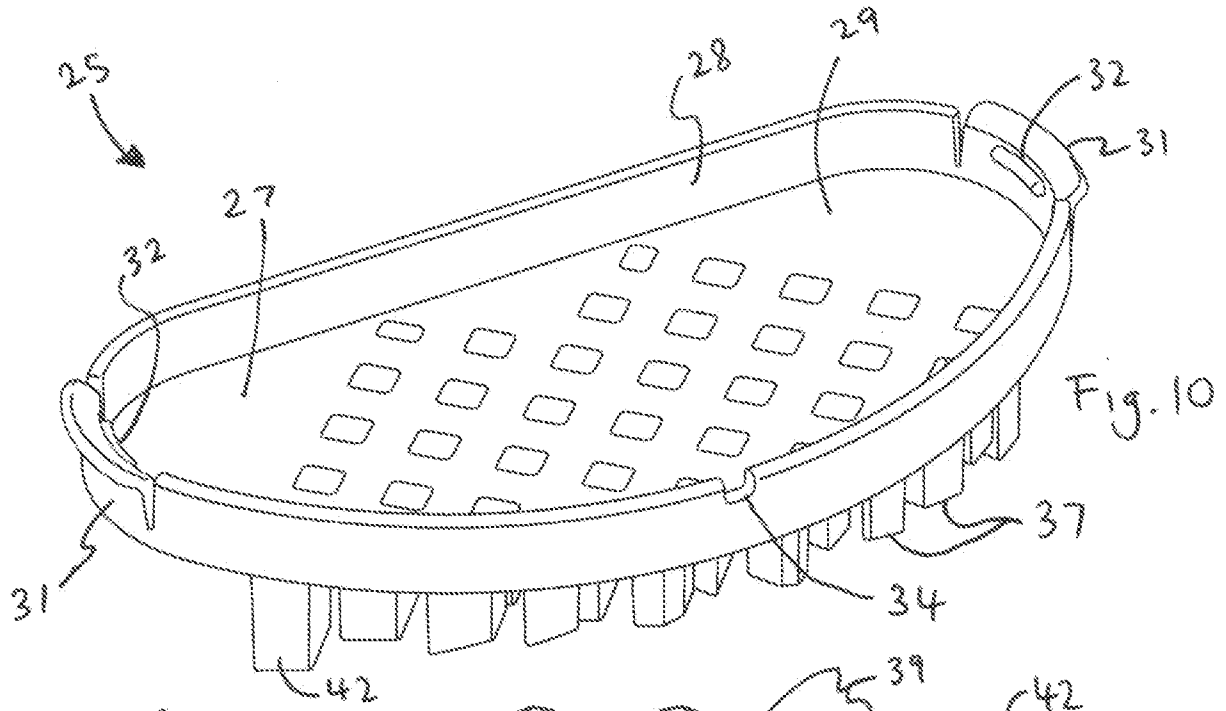


Fig. 9



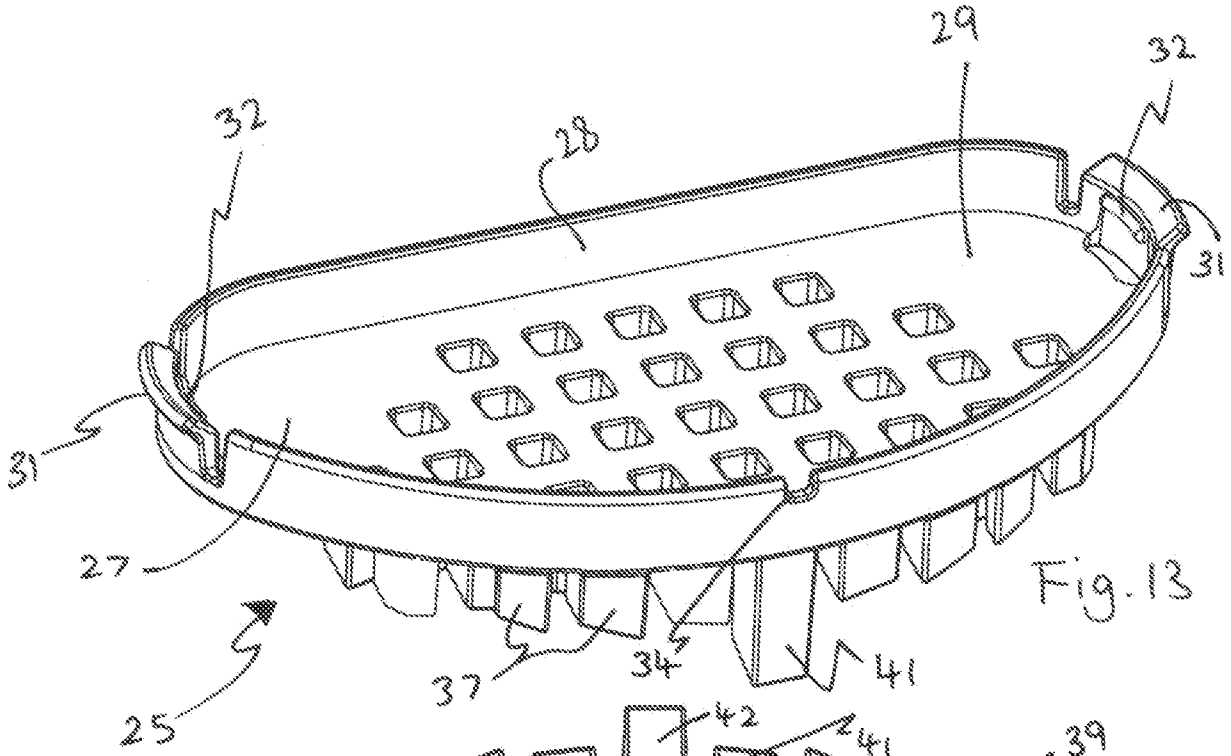


Fig. 13

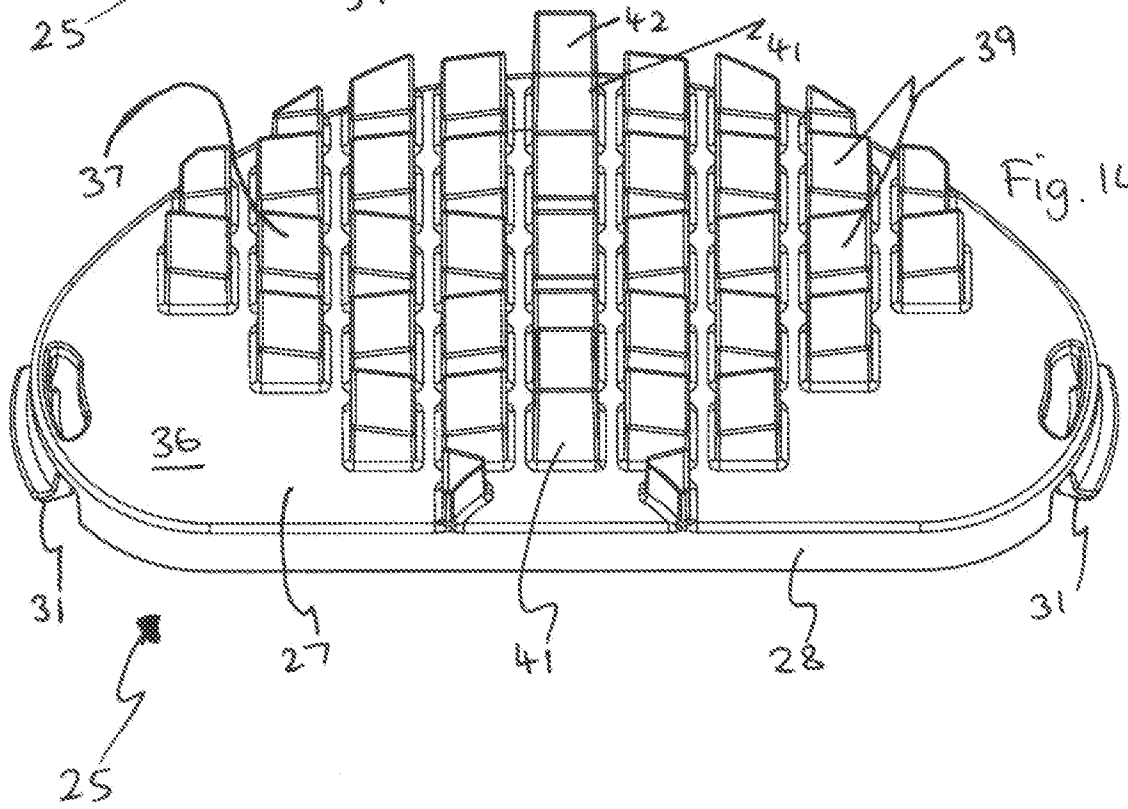


Fig. 14

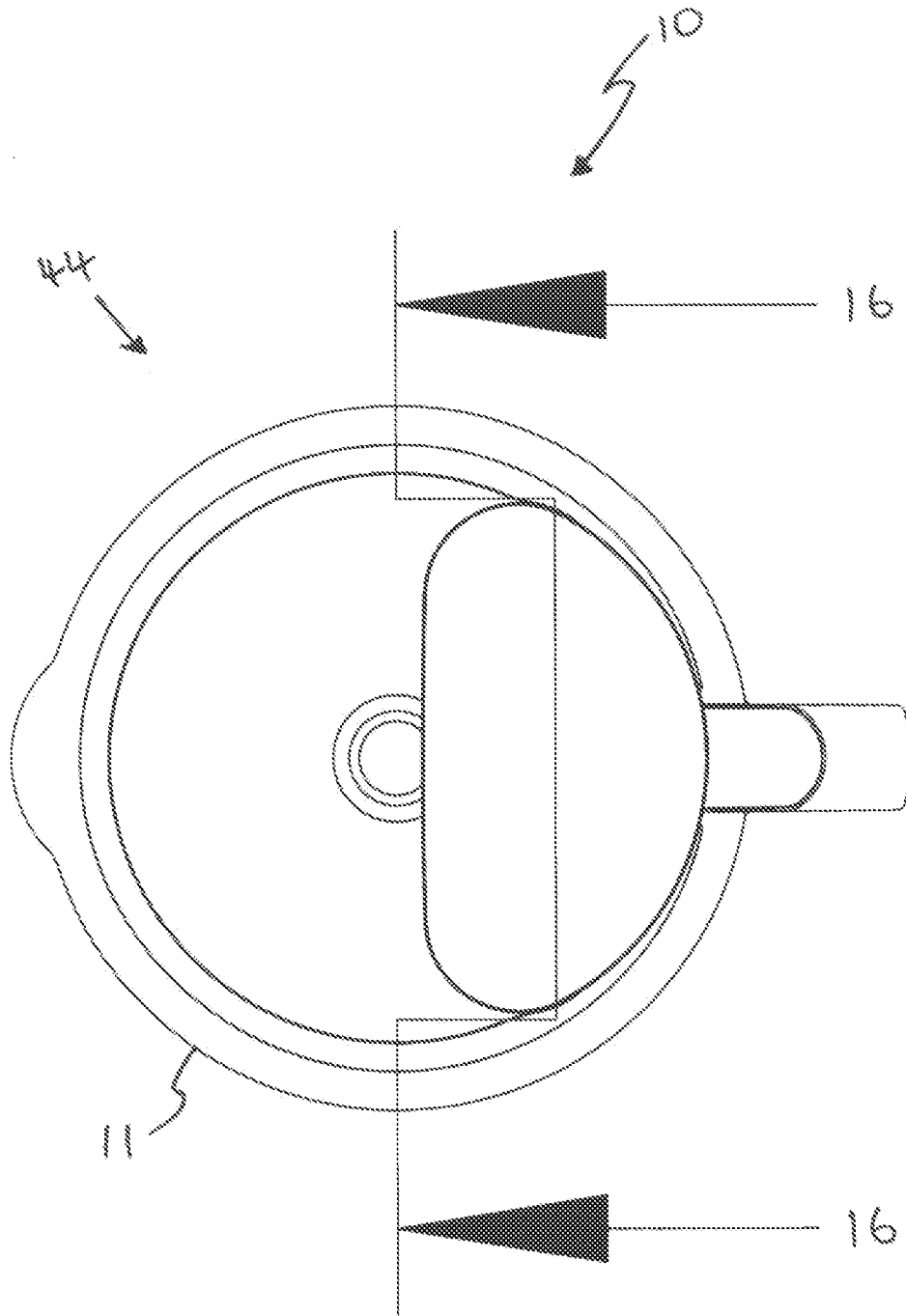


Fig. 15

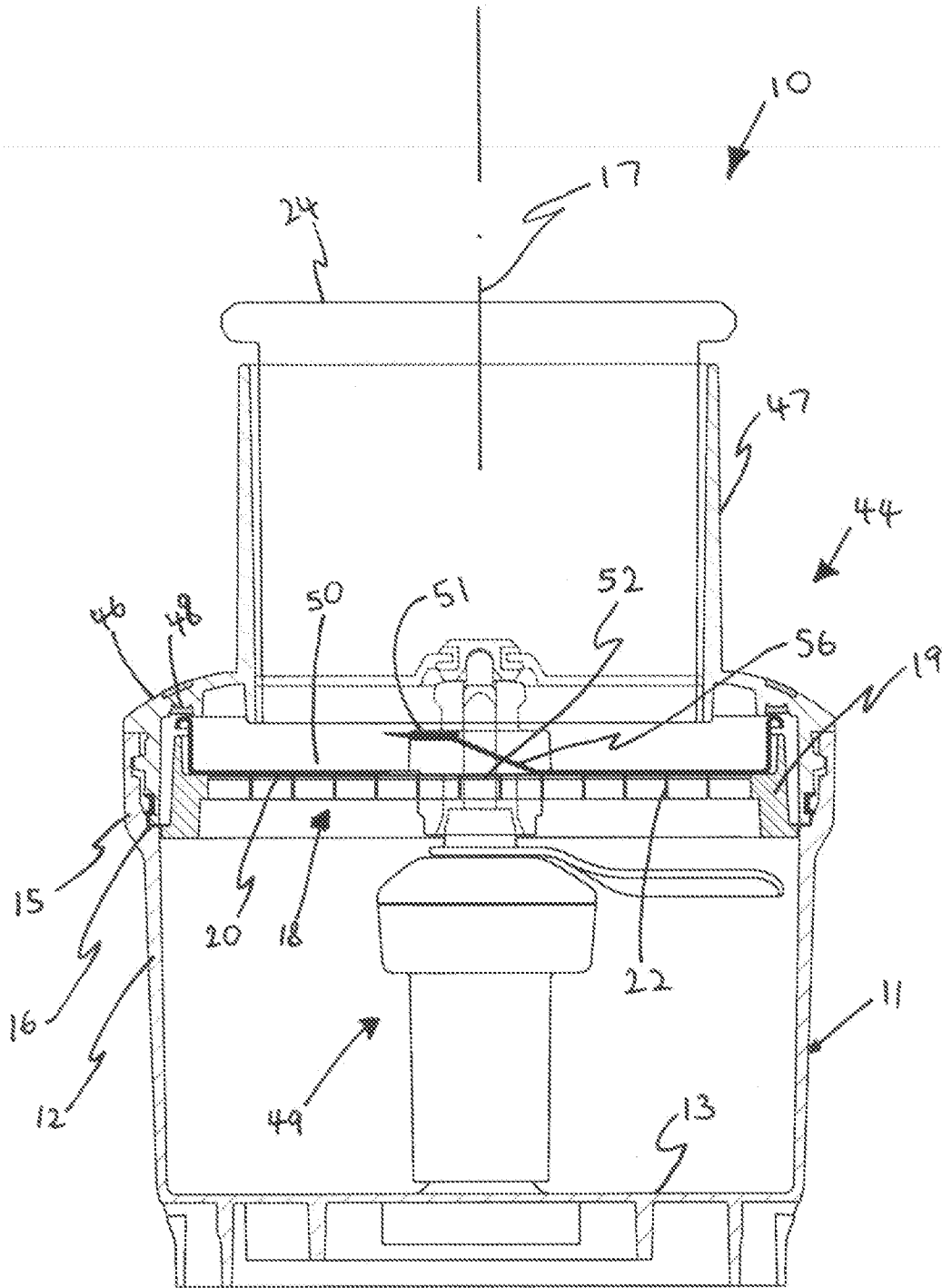


Fig. 16

