

Intellectual Property Rights

04 September 2018

The International Bureau of WIPO
34, chemin des Colombettes
1211 Geneva 20
SWITZERLAND

INTERNATIONAL APPLICATION NO.	PCT/EP2018/071021
FILING DATE	02 Aug 2018
APPLICANT	Nokia Solutions and Networks Oy
APPLICANT'S REFERENCE	103223
APPLICANT	Nokia Solutions and Networks Oy Karaportti 3 02610 Espoo Finland

Dear Sirs

We submit herewith the corrected drawings for the above identified international patent application.

Yours faithfully



Domenico MENZIETTI
European Patent Attorney
Association N° 383

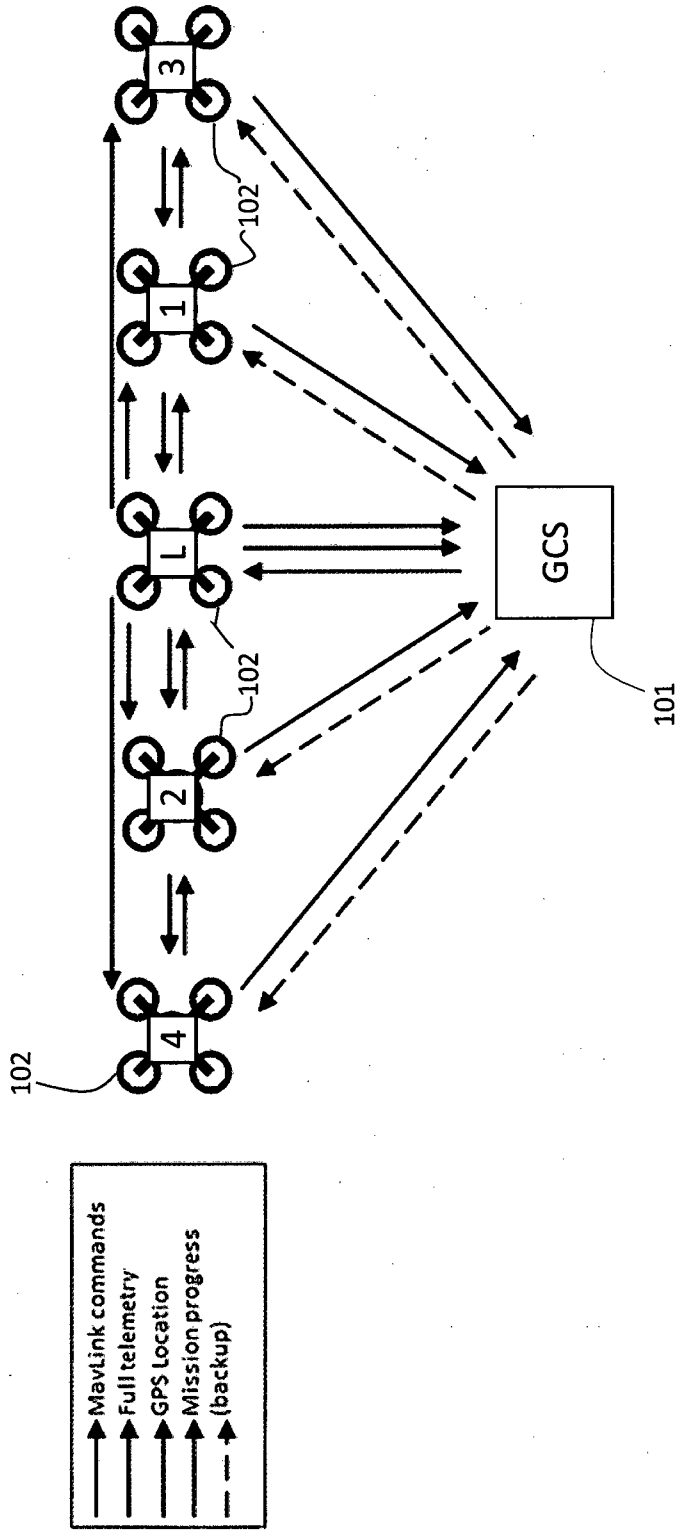


Figure 1

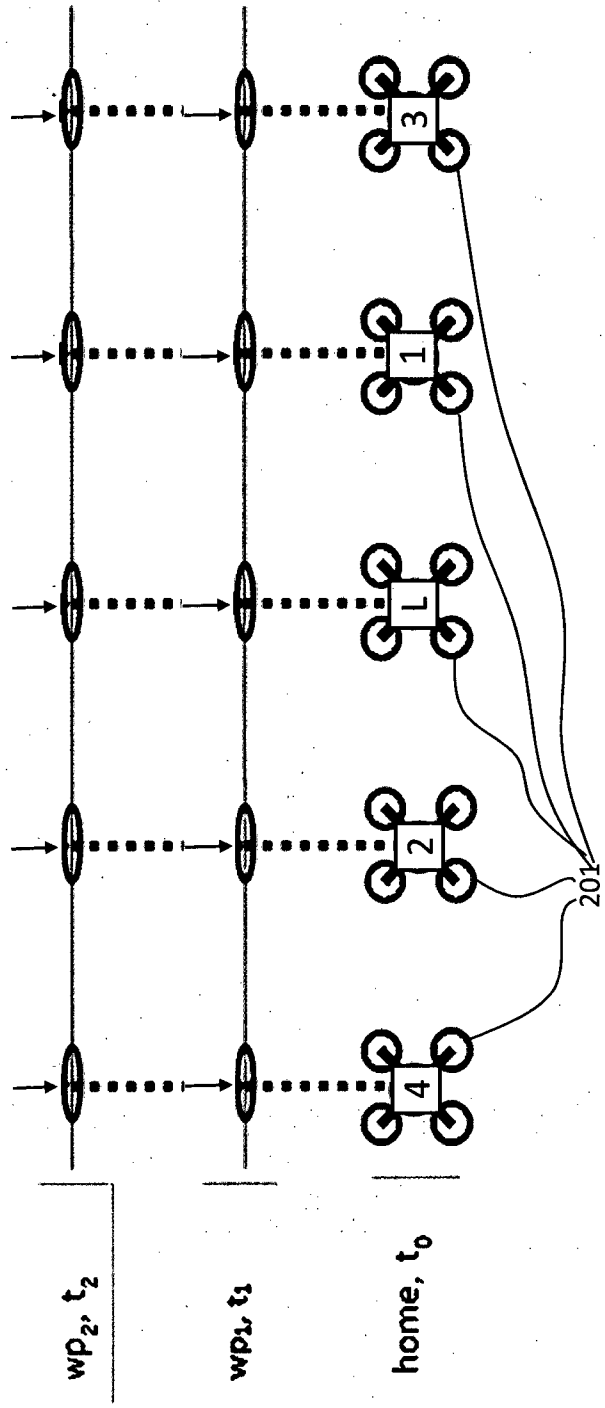


Figure 2

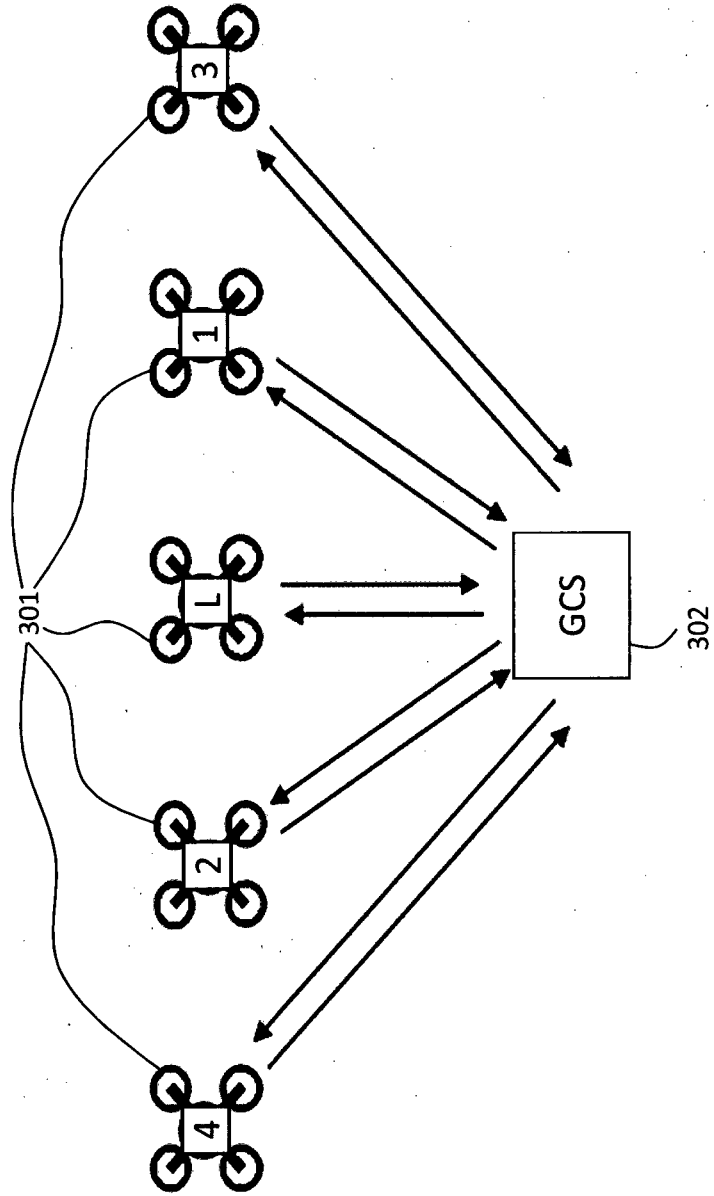


Figure 3

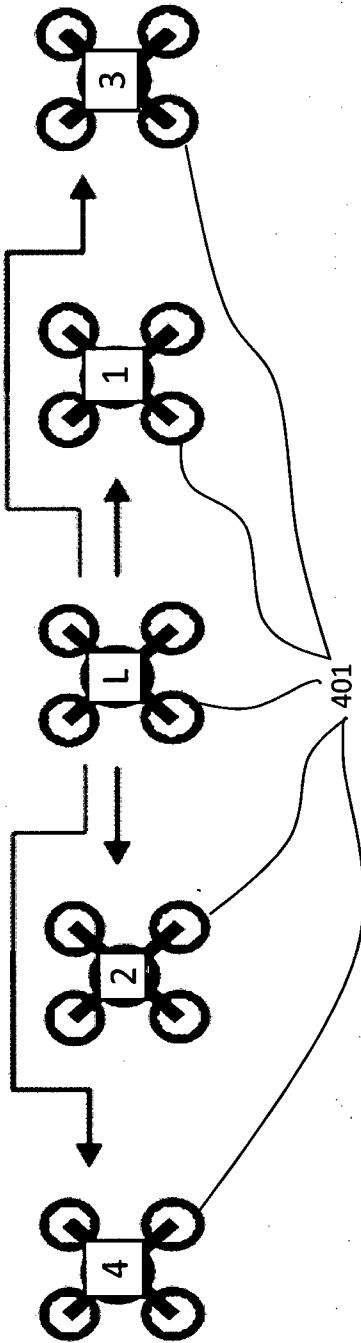


Figure 4

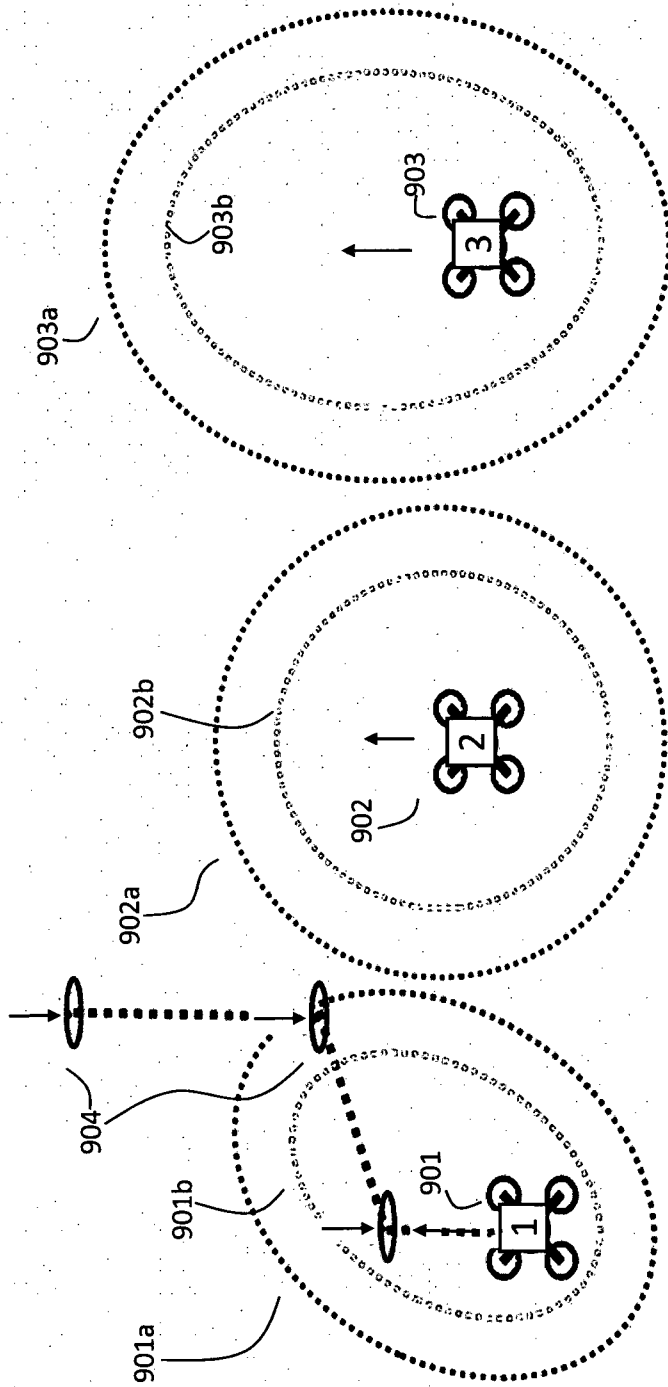


Figure 9