

From the INTERNATIONAL BUREAU

PCTCOMMUNICATION IN CASES FOR WHICH
NO OTHER FORM IS APPLICABLE

To:

BERTHIER, Karine
Alcatel-Lucent International
Site de Nokia Paris-Saclay
Route de Villejust
91620 NOZAY
FRANCE

Date of mailing (<i>day/month/year</i>) 26 September 2018 (26.09.2018)	
Applicant's or agent's file reference 103223	REPLY DUE see paragraph 1 below
International application No. PCT/EP2018/071021	International filing date (<i>day/month/year</i>) 02 August 2018 (02.08.2018)
Applicant NOKIA SOLUTIONS AND NETWORKS OY	

1. REPLY DUE within months/days from the above date of mailing
 NO REPLY DUE, however, see below
 IMPORTANT COMMUNICATION
 INFORMATION ONLY

2. COMMUNICATION:

The International Bureau confirms receipt on 24 September 2018 (24.09.2018) of the attached documents that were intended for the RO/EP.

Please note that such documents should be sent directly to the Office concerned rather than to the International Bureau.

The applicant is reminded that since this document should have been sent to the above indicated Office or Authority, any applicable time limits are only met on the date of receipt at the Office or Authority concerned and not on the date of receipt at the International Bureau.

The International Bureau of WIPO 34, chemin des Colombettes 1211 Geneva 20, Switzerland	Authorized officer Neuling Harriet e-mail pct.team5@wipo.int Telephone No. +41 22 338 74 05
Facsimile No. +41 22 338 70 80	

Intellectual Property Rights

04 September 2018

The International Bureau of WIPO
34, chemin des Colombettes
1211 Geneva 20
SWITZERLAND

INTERNATIONAL APPLICATION NO.	PCT/EP2018/071021
FILING DATE	02 Aug 2018
APPLICANT	Nokia Solutions and Networks Oy
APPLICANT'S REFERENCE	103223
APPLICANT	Nokia Solutions and Networks Oy Karaportti 3 02610 Espoo Finland

Dear Sirs

We submit herewith the corrected drawings for the above identified international patent application.

Yours faithfully



Domenico MENZIETTI
European Patent Attorney
Association N° 383

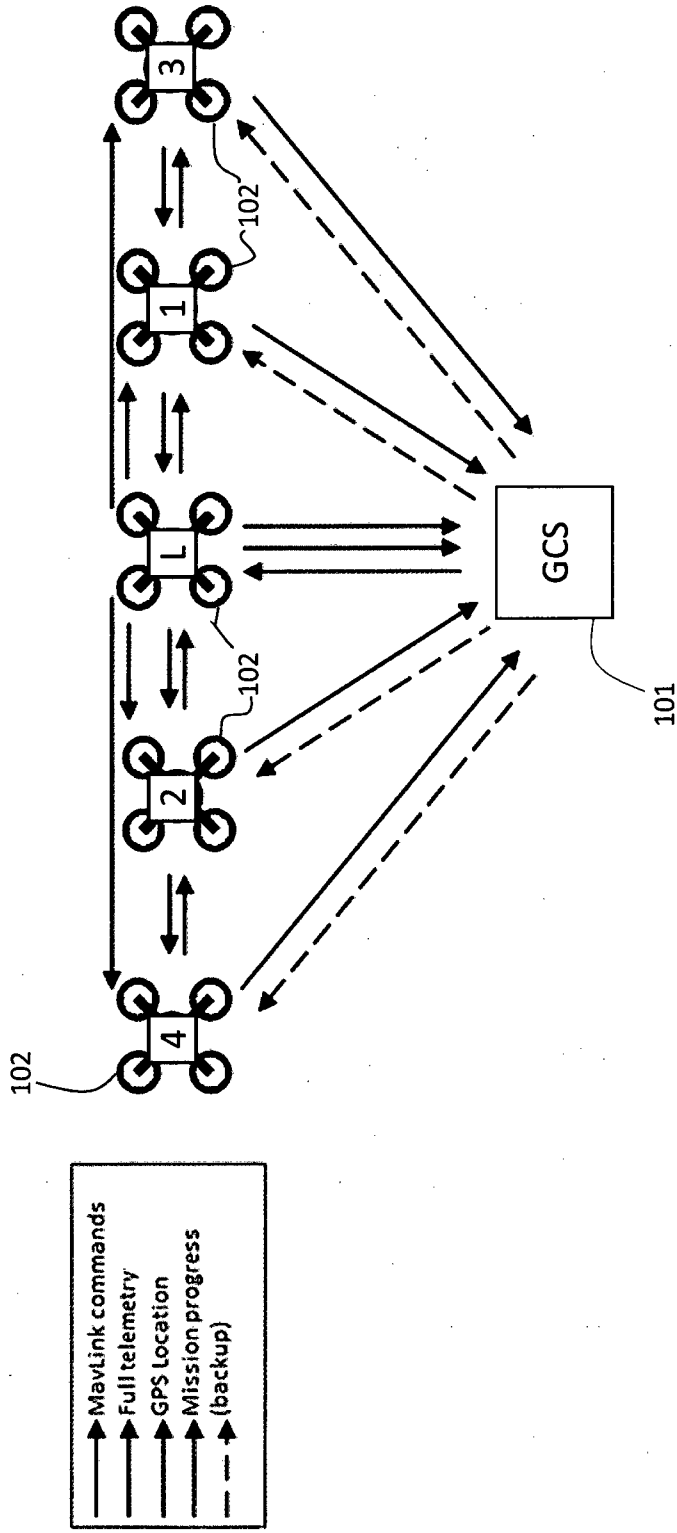


Figure 1

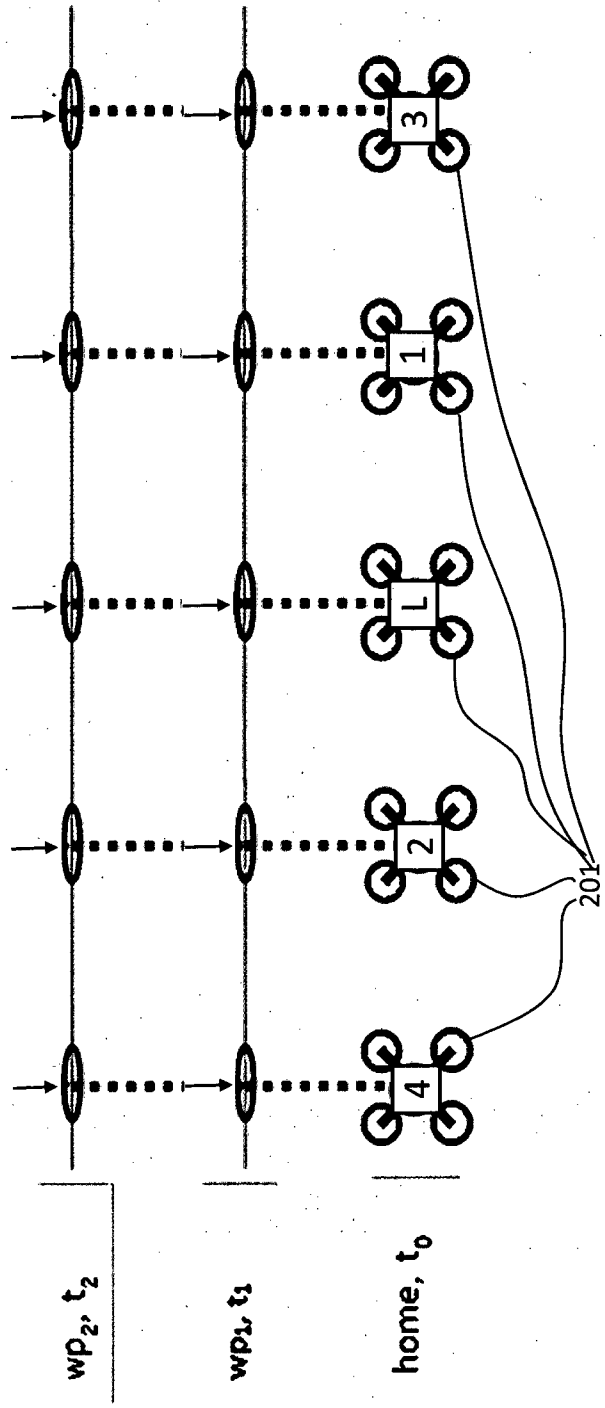


Figure 2

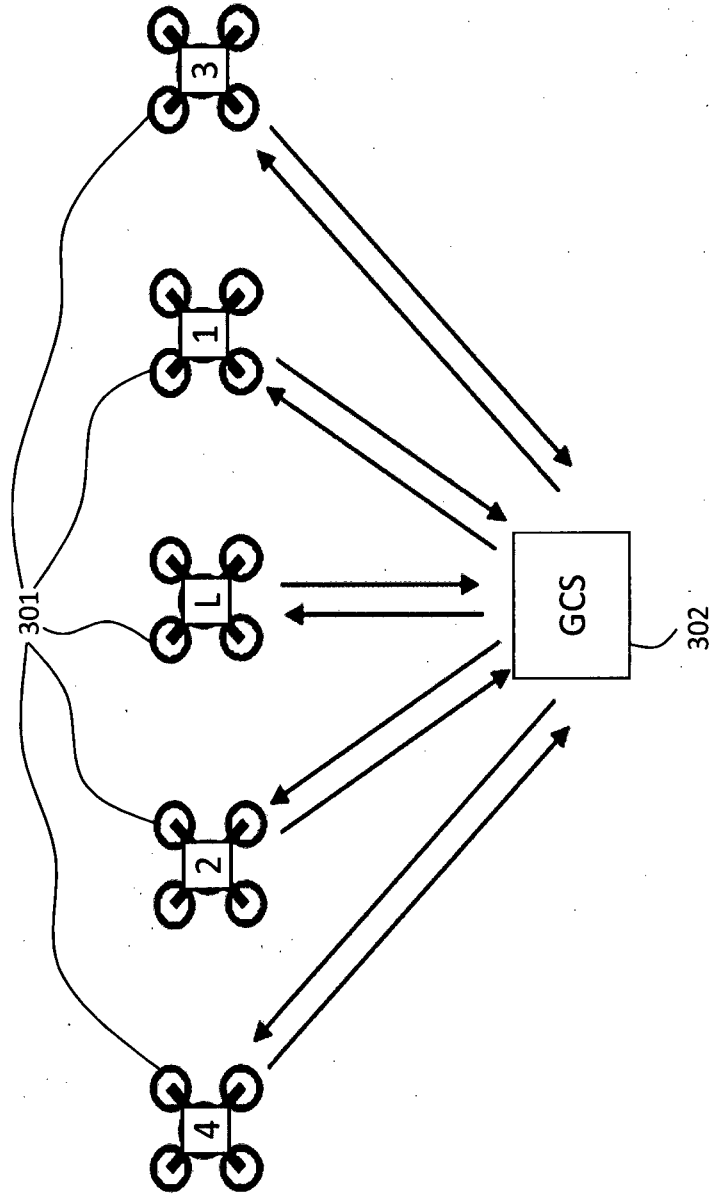


Figure 3

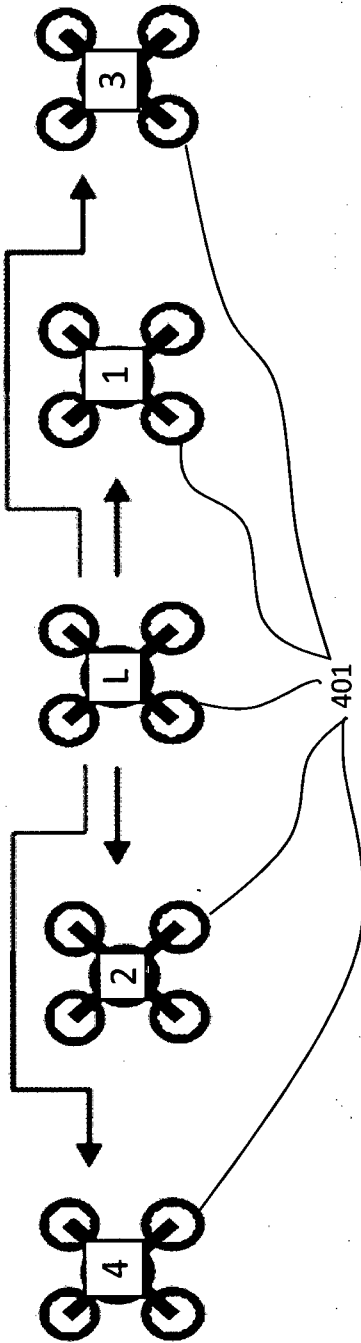


Figure 4

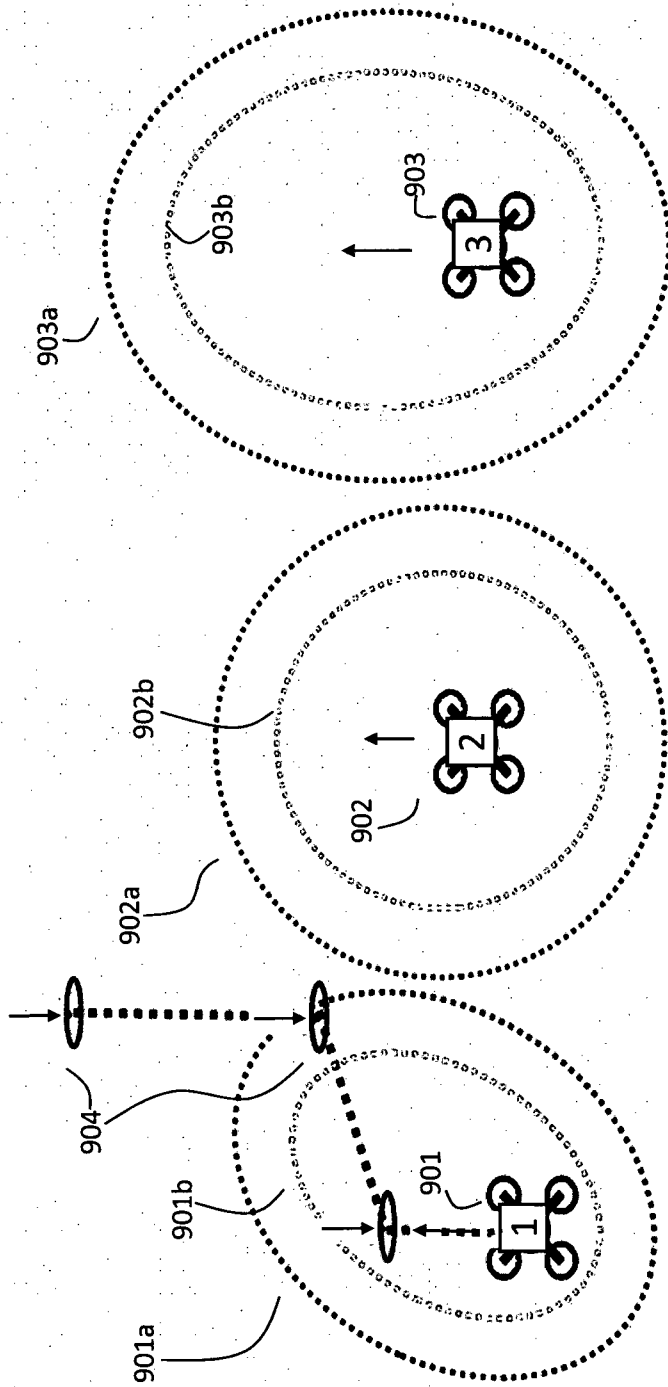


Figure 9