



10 October 2018  
Our Ref: P42453PCAU

Commissioner of Patents  
IP Australia

Dear Commissioner

**Patent Application No. PCT/AU2018/050832**  
**Country: Australia**  
**Applicant: Cape Bouvard Technologies Pty Ltd**

We refer to the Invitation to Correct Defects notice received 13 August 2018 and enclose a replacement set of drawings in response to the notice issued.

Yours faithfully

Richard Baddeley  
Principal

Encl.

Lvl 20  
77 St Georges Terrace  
Perth WA  
6000 Australia

T +61 8 9222 0100  
E [mail@watermark.com.au](mailto:mail@watermark.com.au)  
W [www.watermark.com.au](http://www.watermark.com.au)  
T @WatermarkIP

GPO Box 2512  
Perth WA  
6831 Australia

ABN 36 614 214 390  
Watermark Intellectual  
Property Pty Ltd

**Our Services**

- Patents & Designs
- Trade Marks
- IP Legal
- IP Advisory
- Competitive Business Intelligence

**Our Offices**

Victoria  
New South Wales  
Western Australia

COMPLETE  
WITH CONFIDENCE.

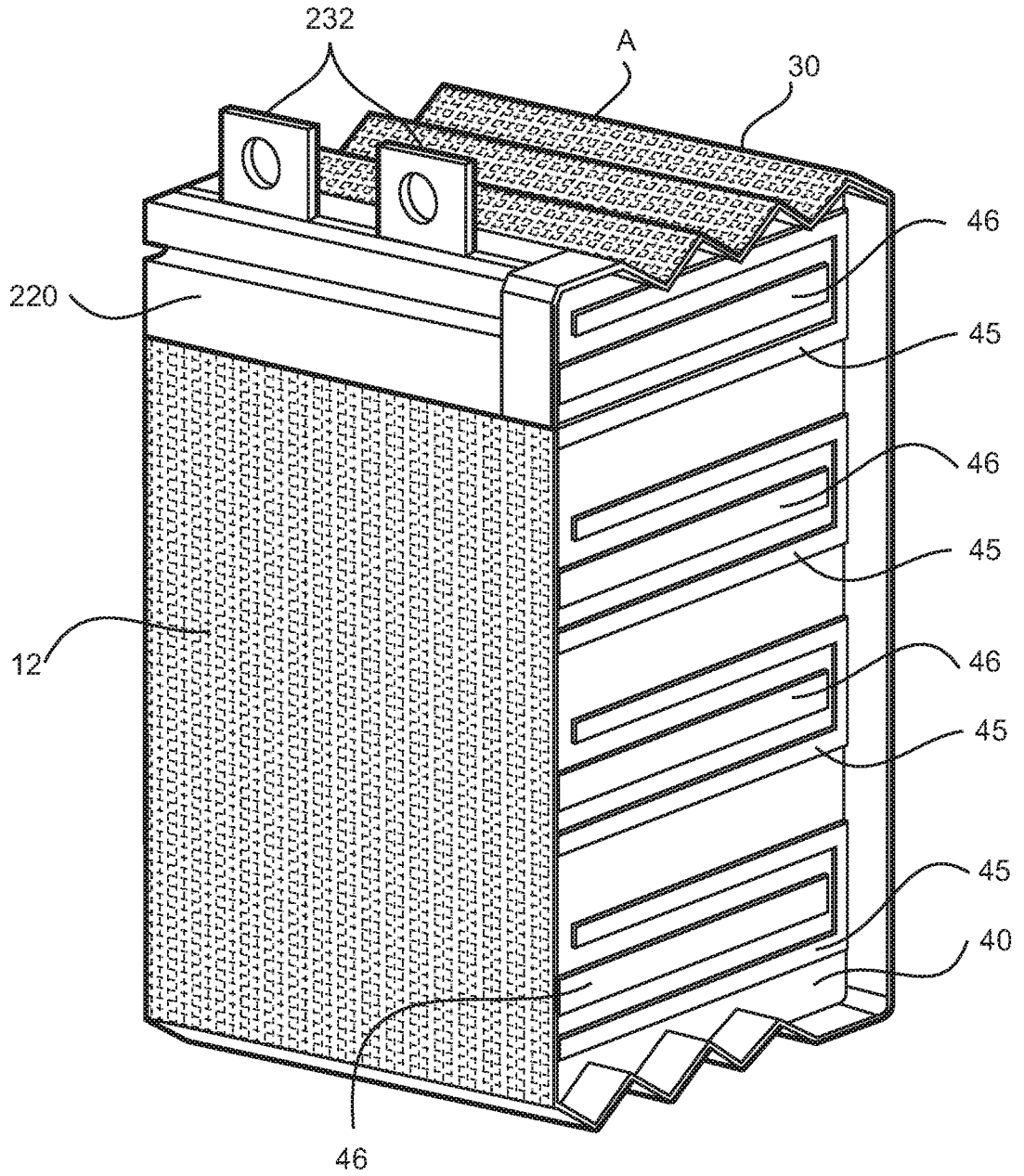


Figure 1

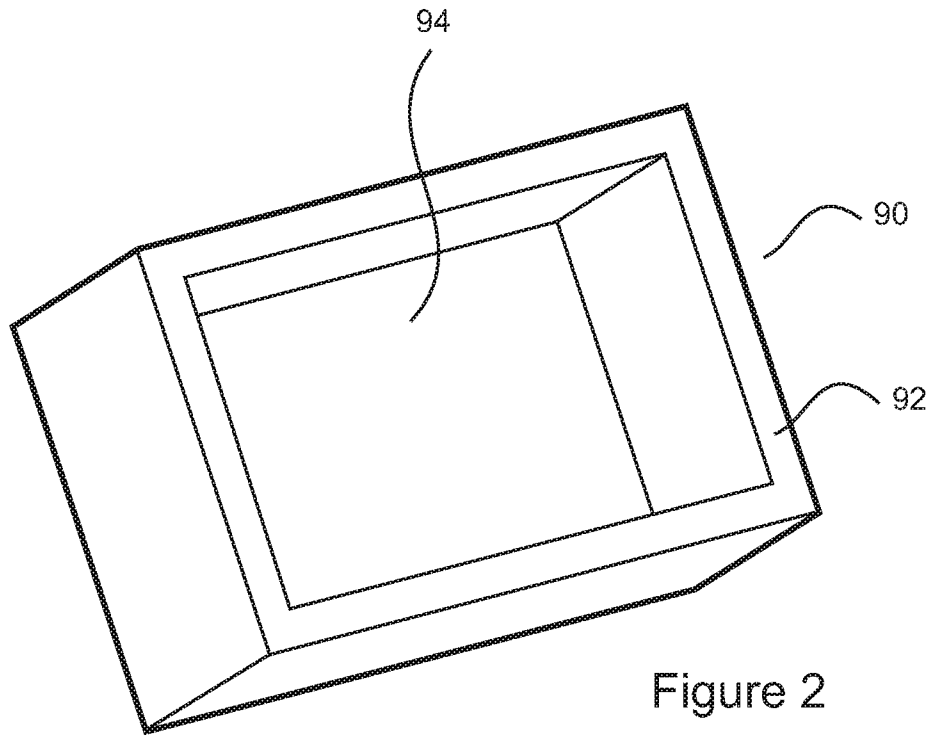


Figure 2

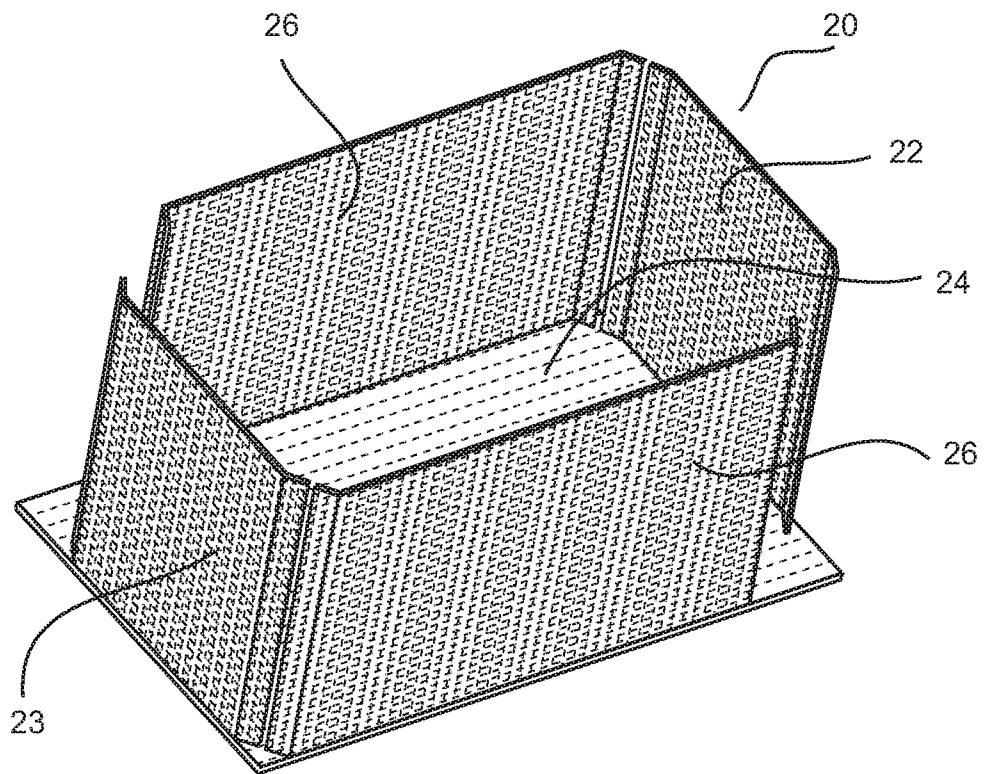


Figure 3

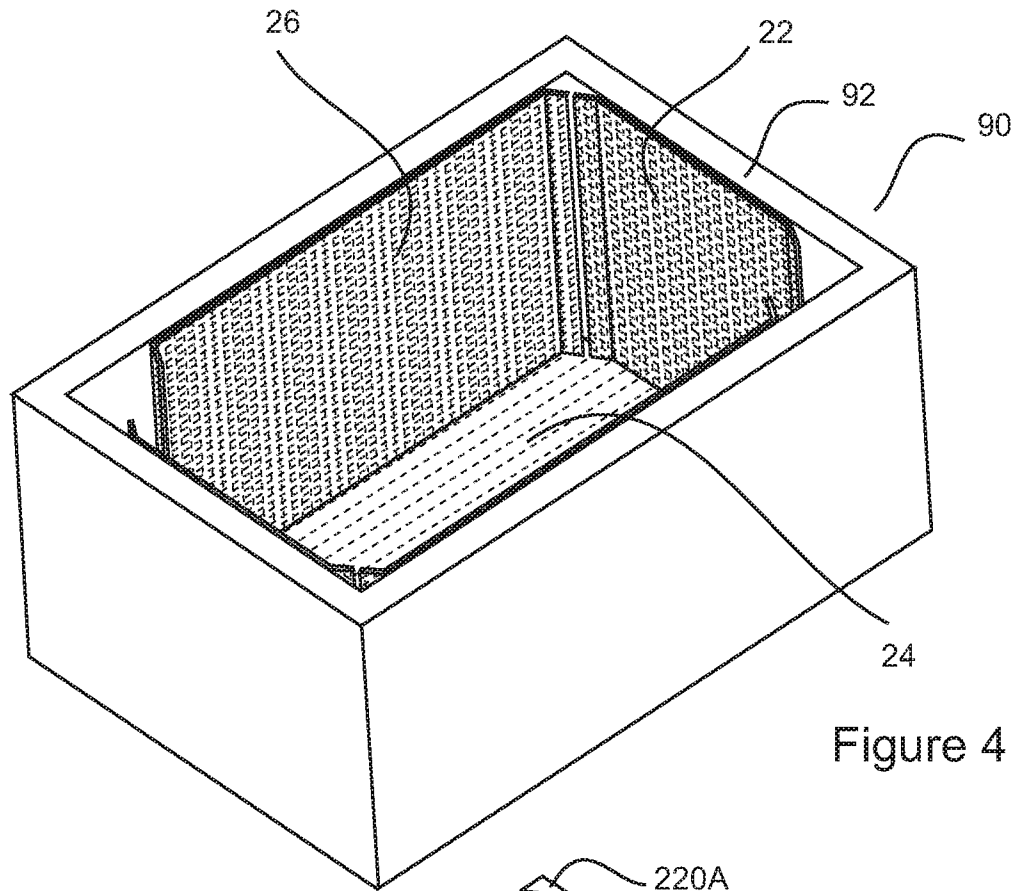


Figure 4

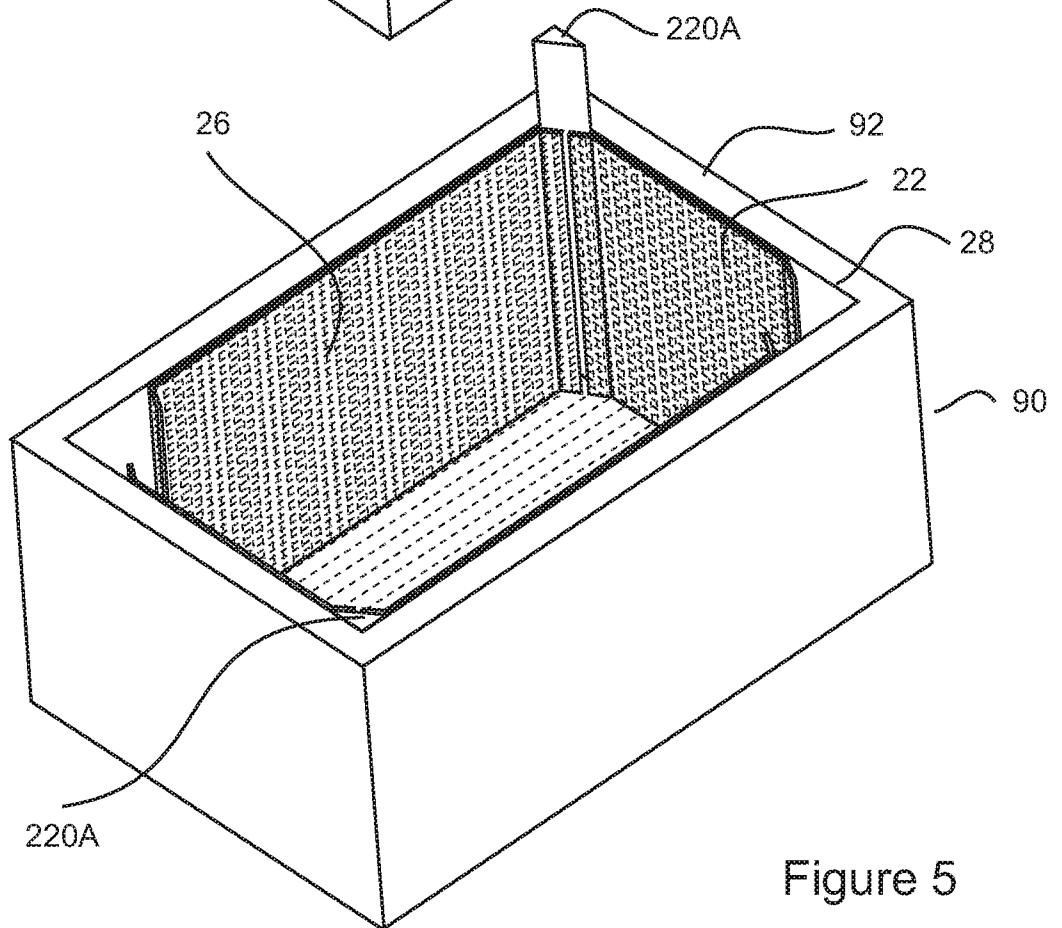


Figure 5

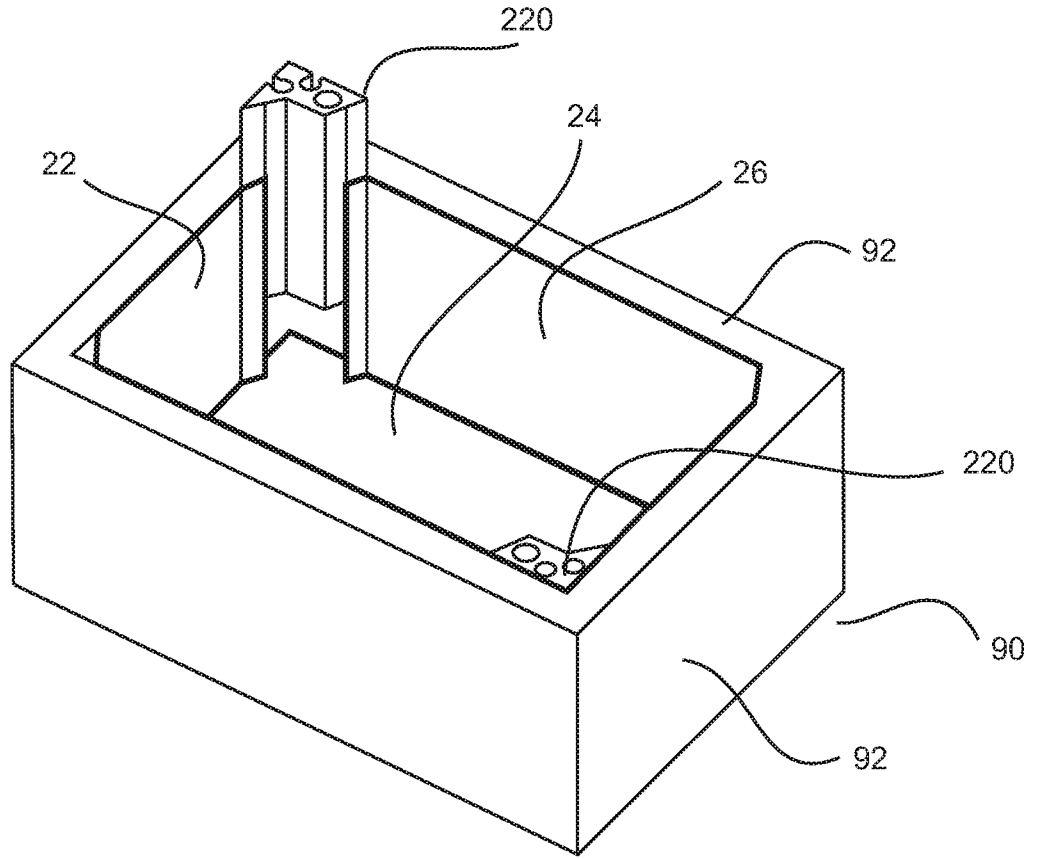


Figure 6

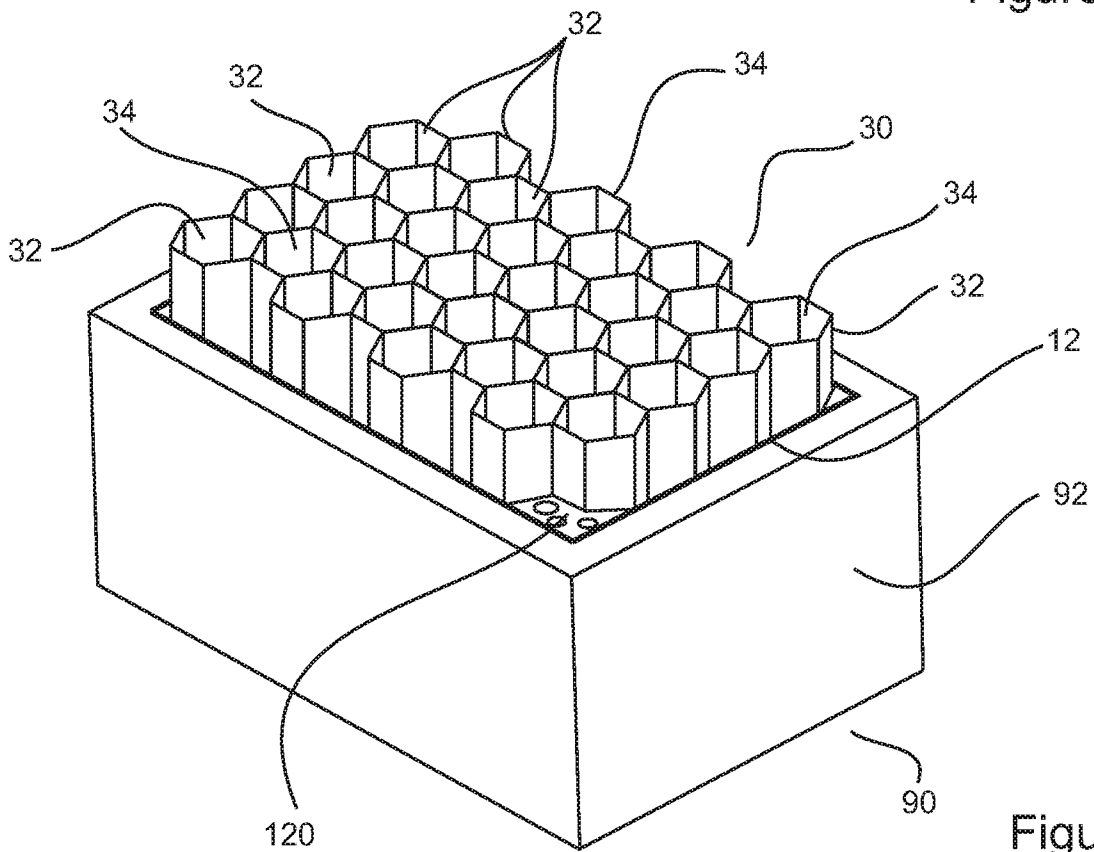


Figure 7

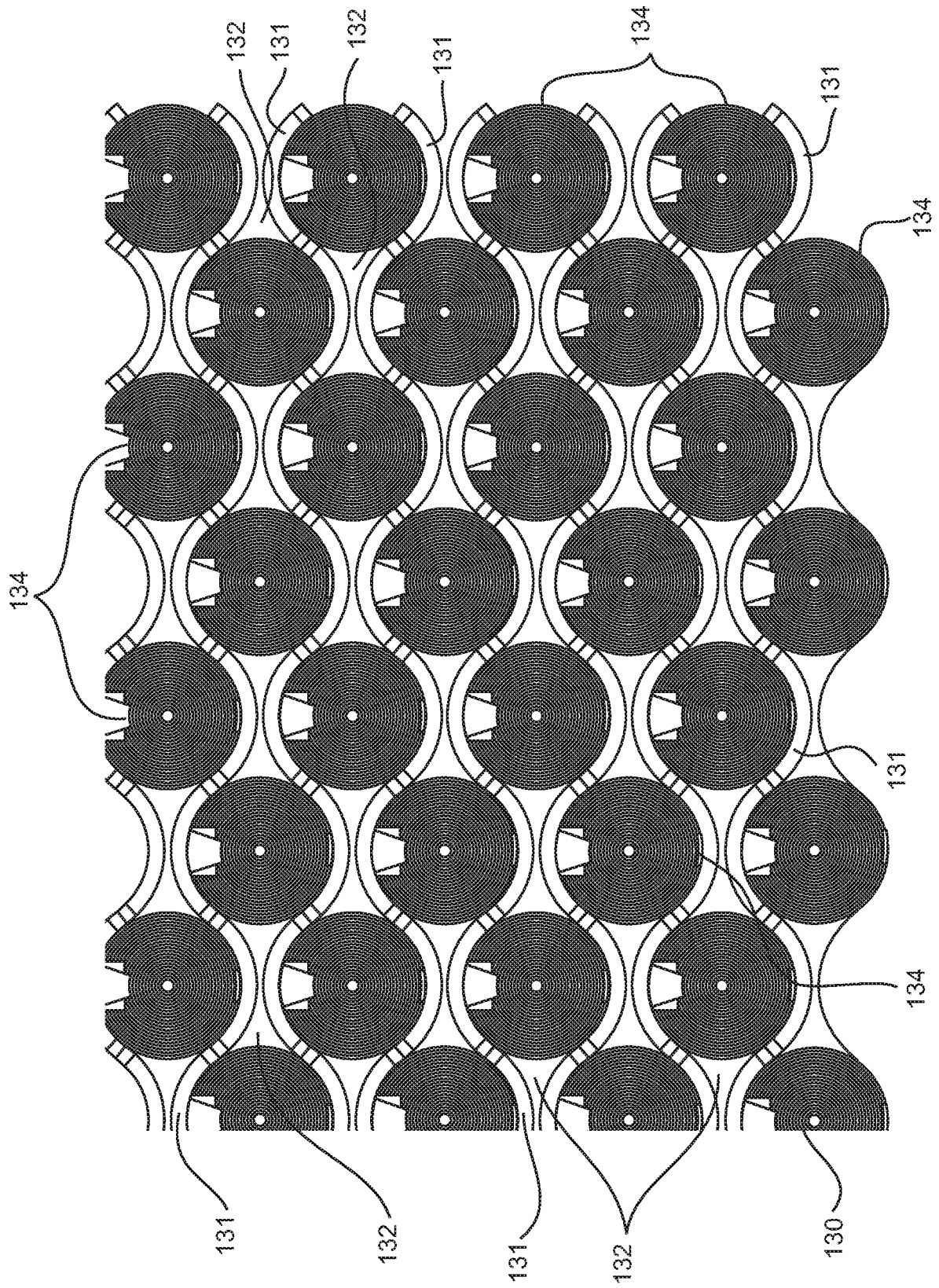


Figure 8

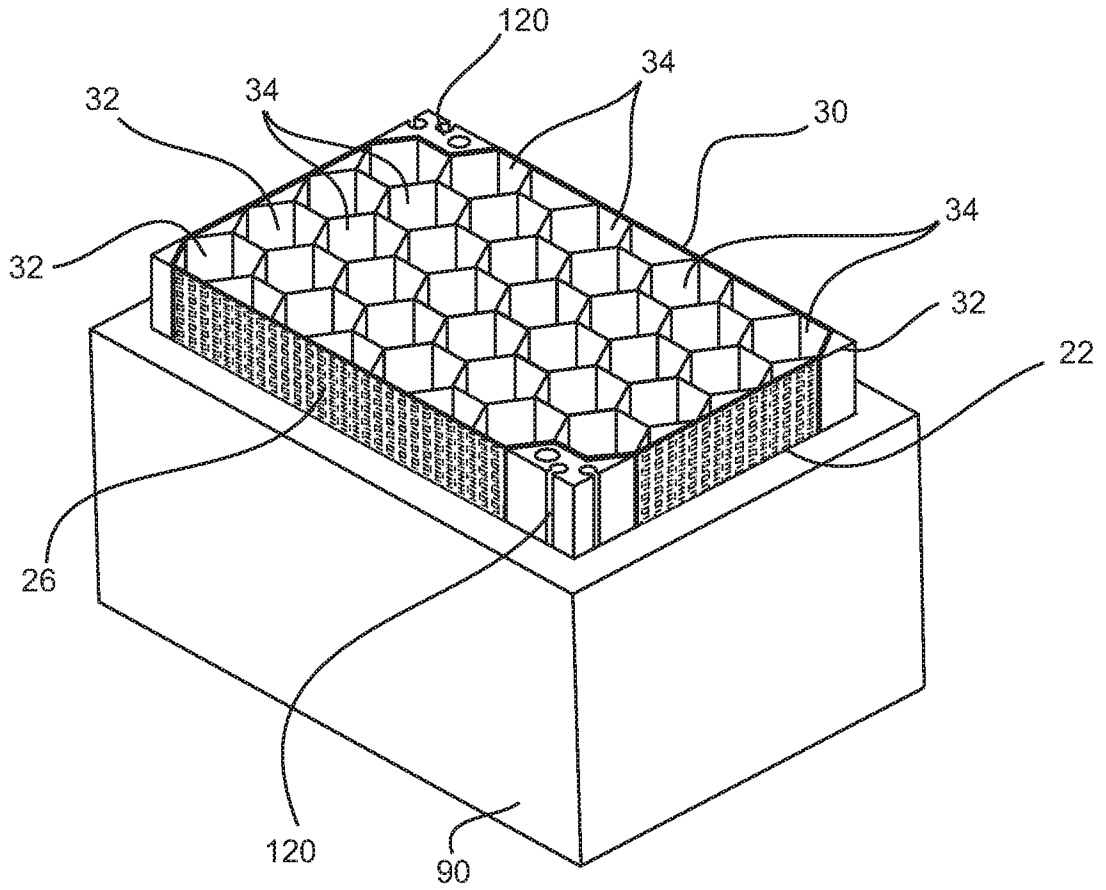


Figure 9

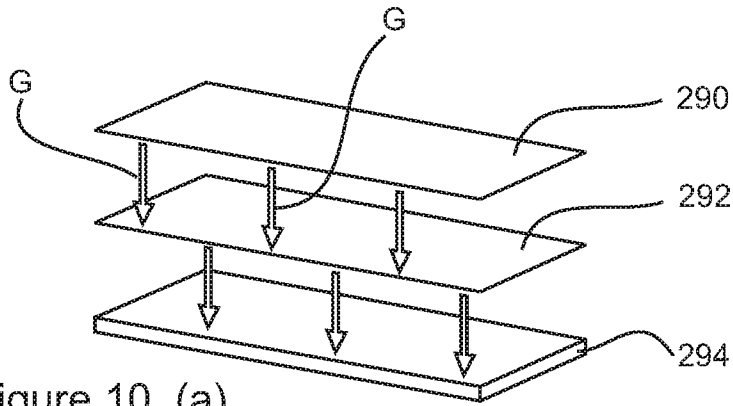


Figure 10 (a)

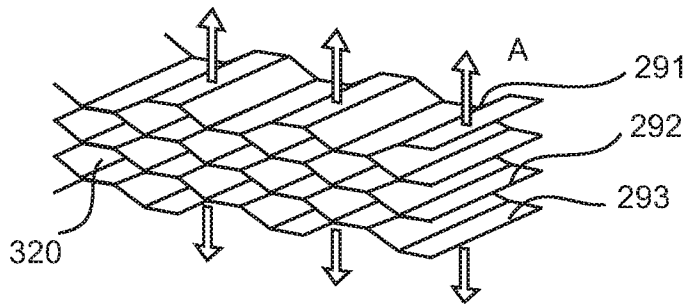


Figure 10 (b)

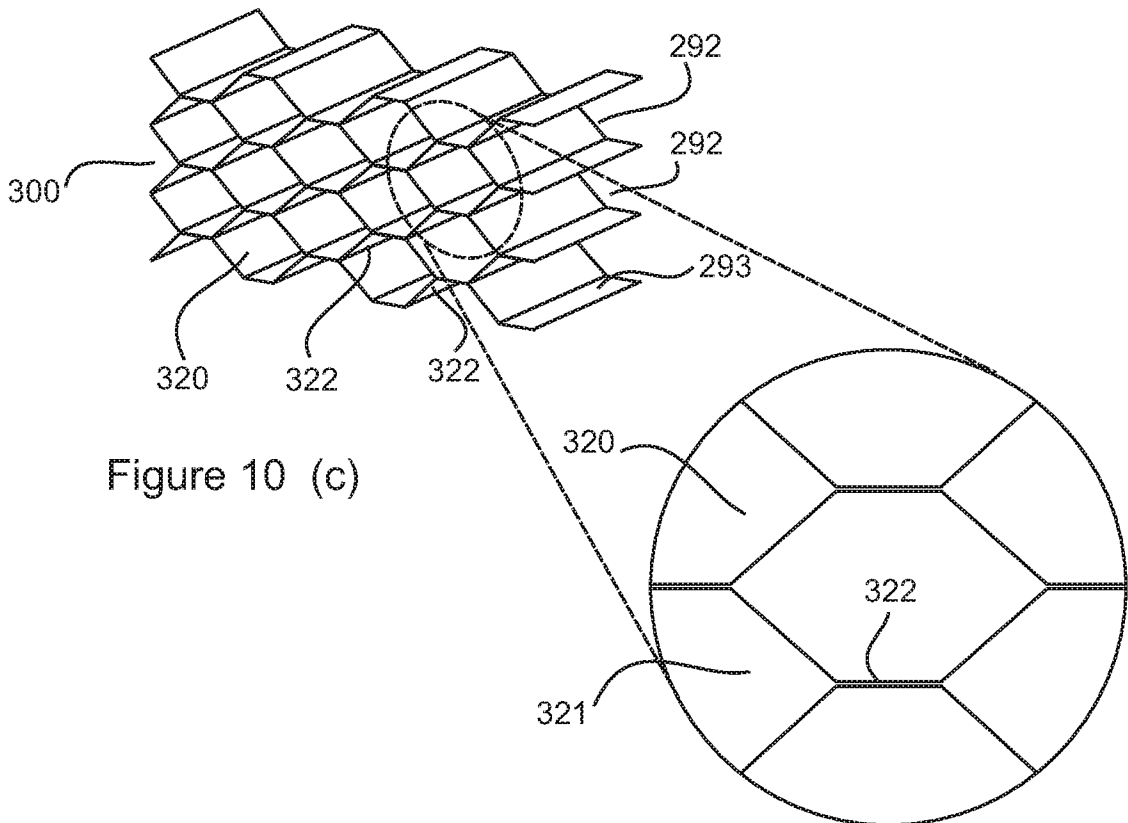


Figure 10 (c)



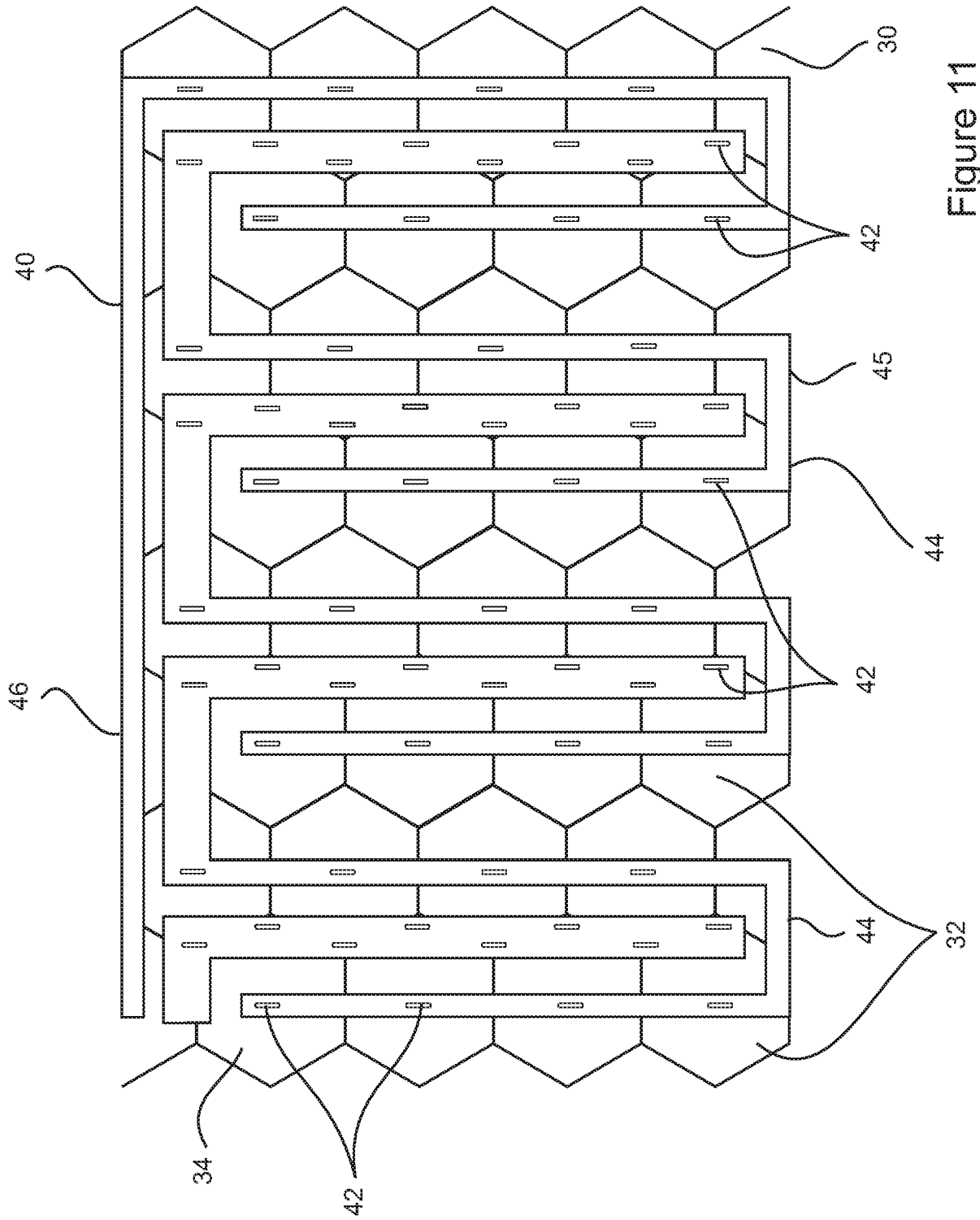


Figure 11

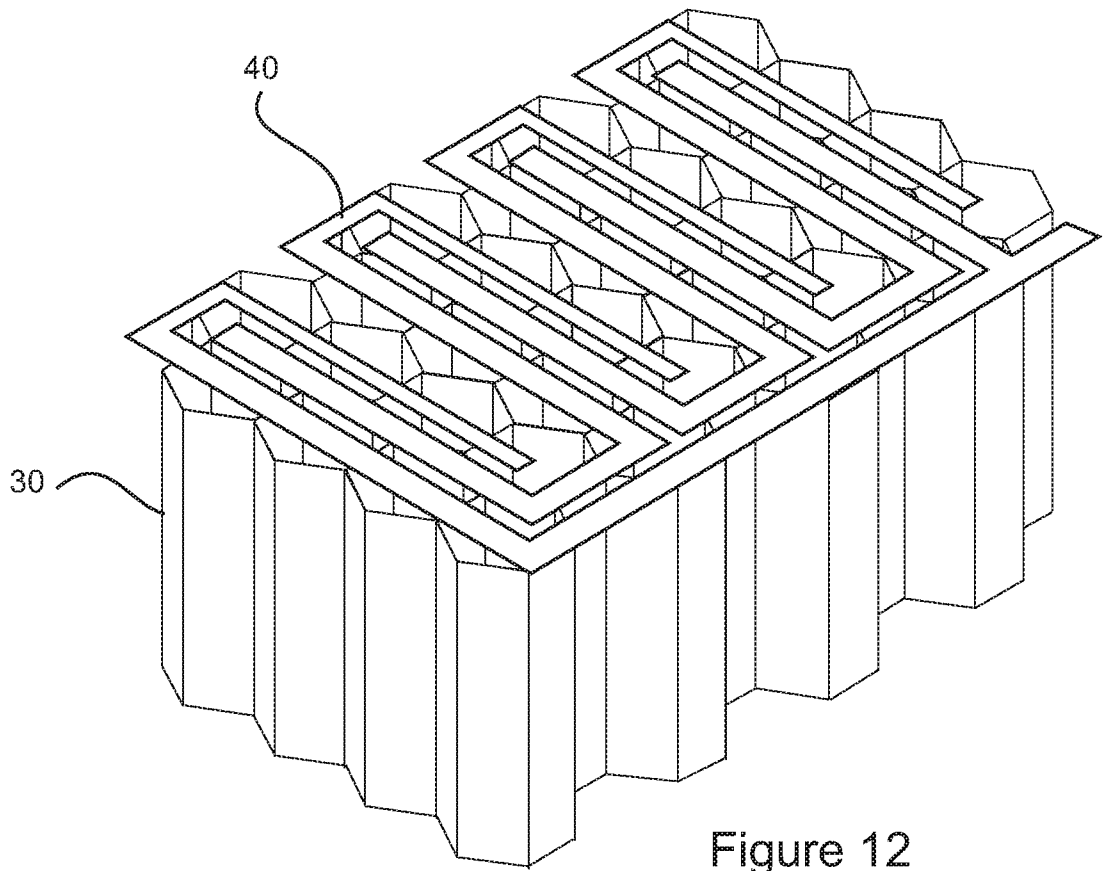


Figure 12

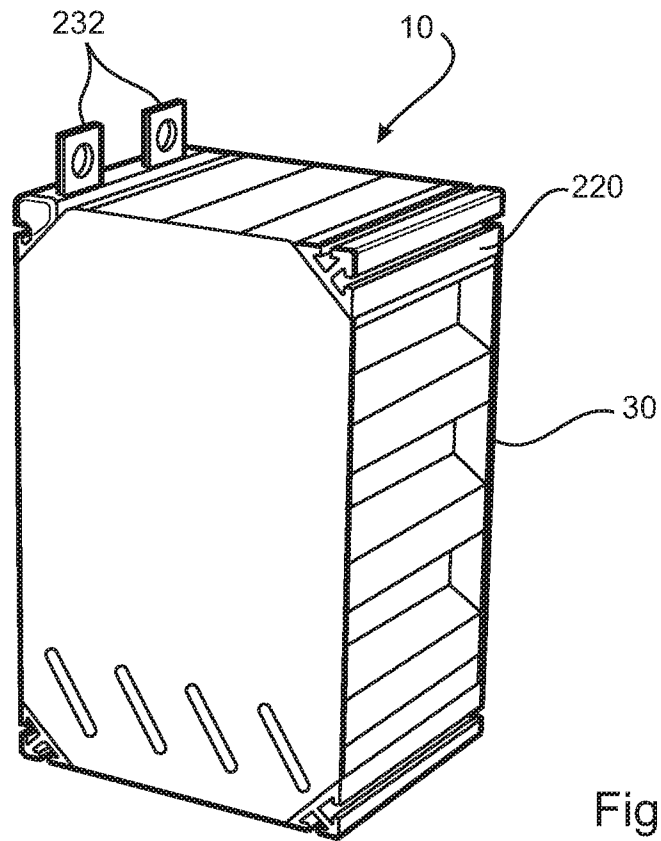


Figure 13

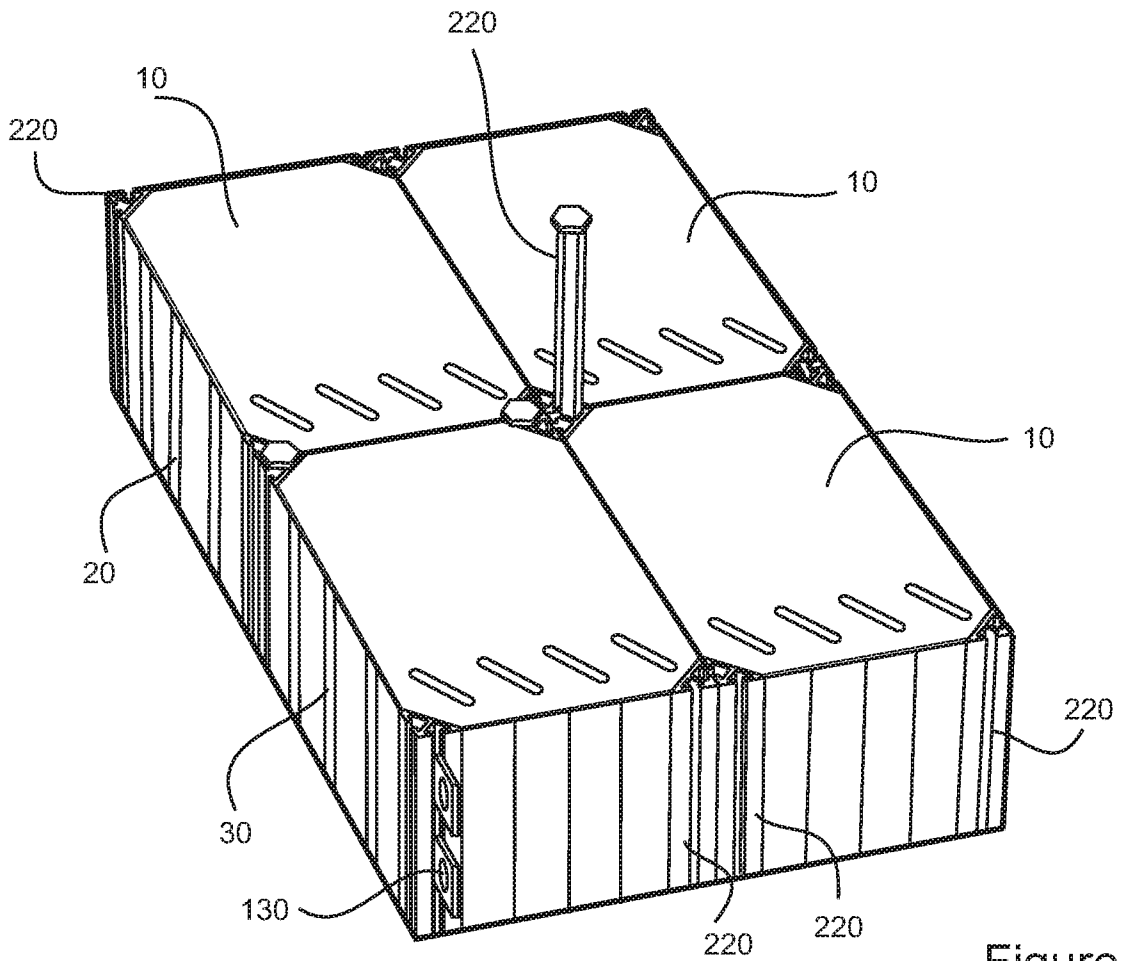


Figure 14

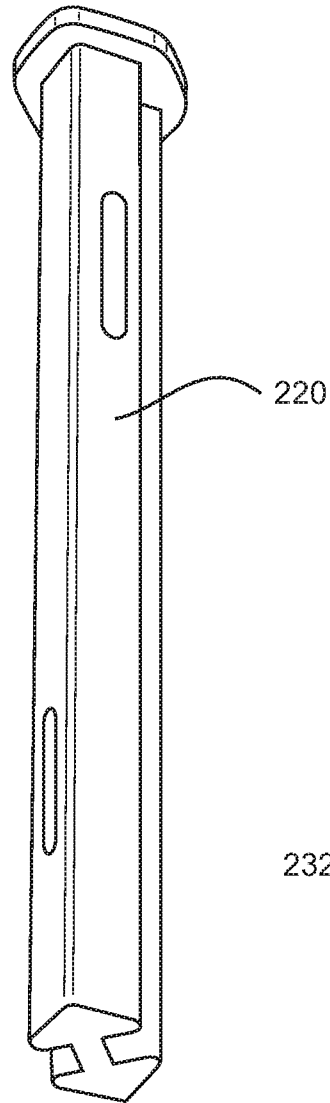


Figure 15

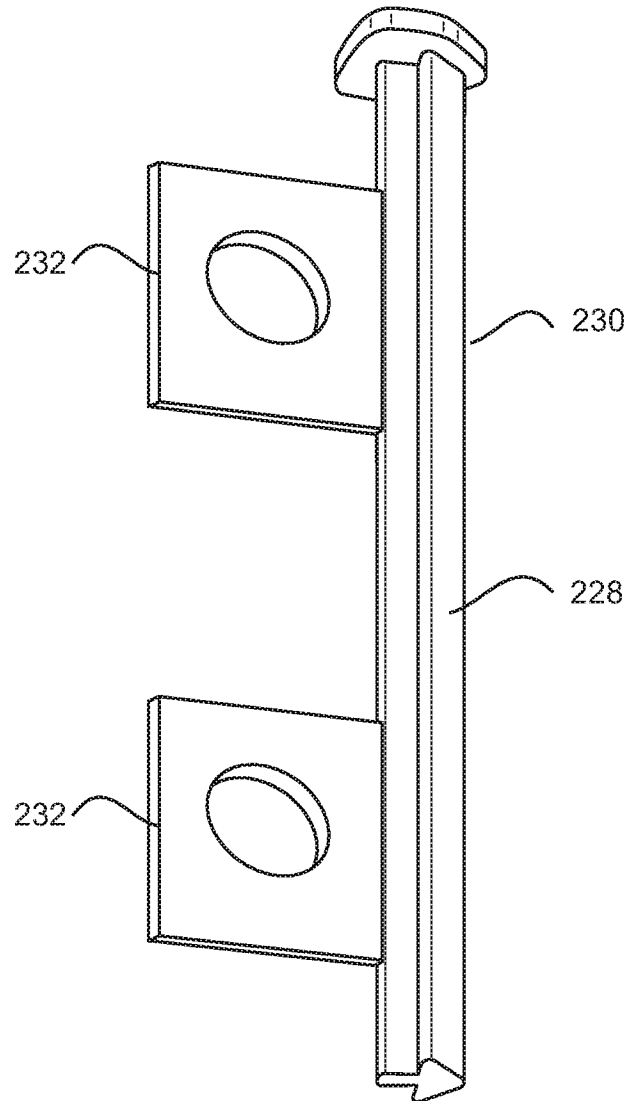


Figure 16

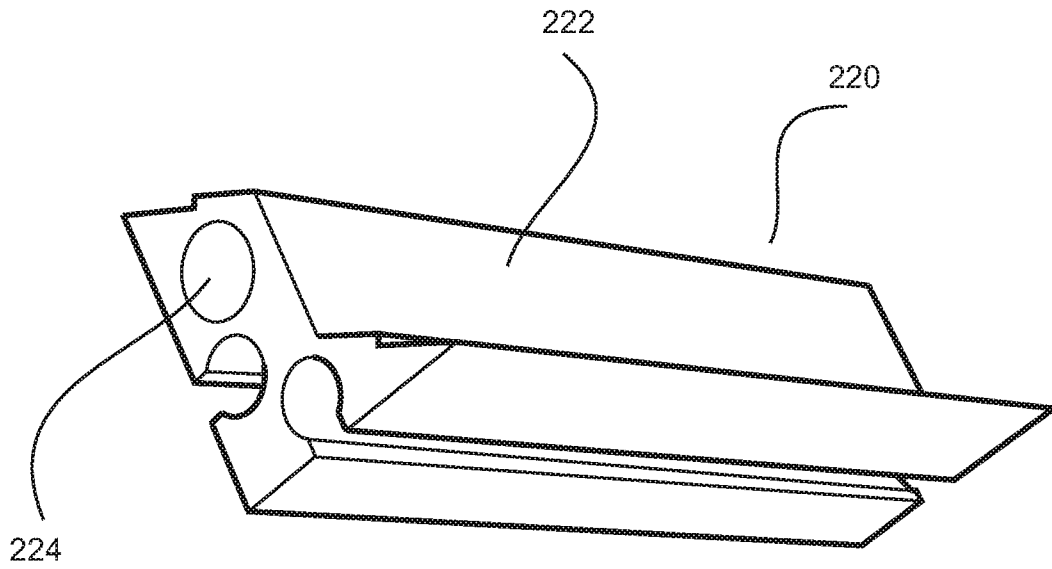


Figure 17

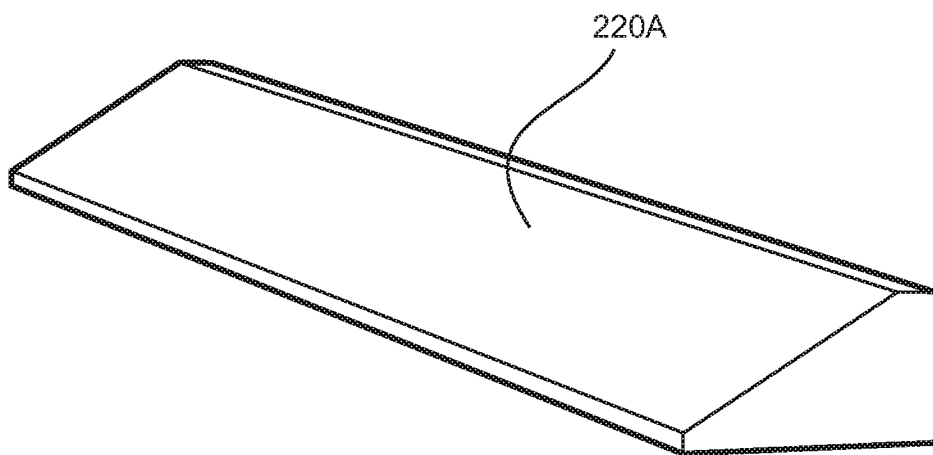


Figure 18