

Figure 1

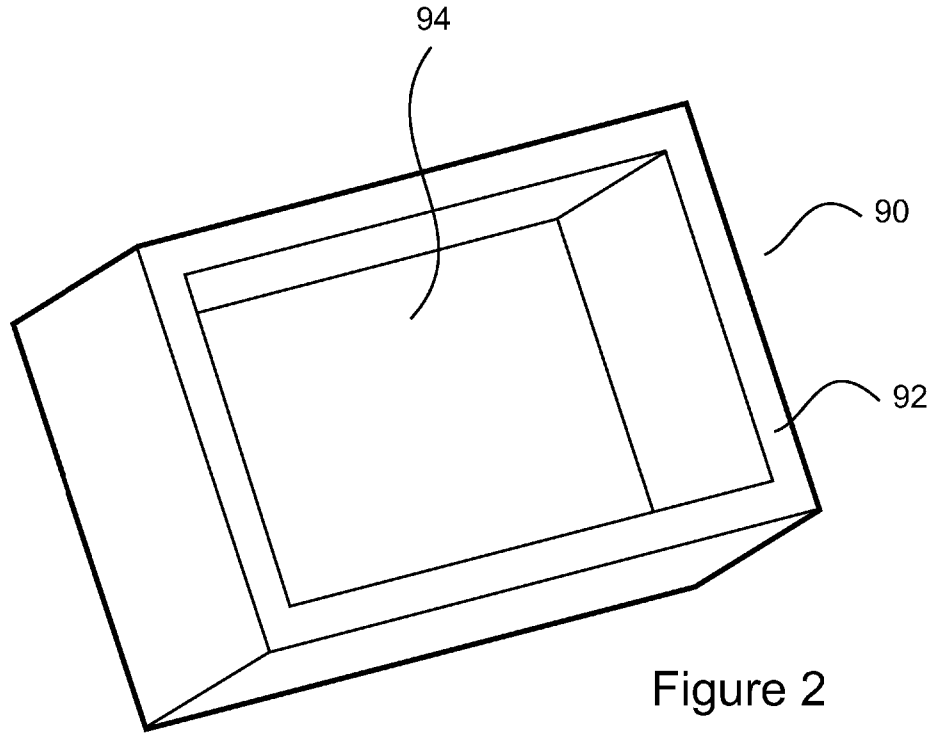


Figure 2

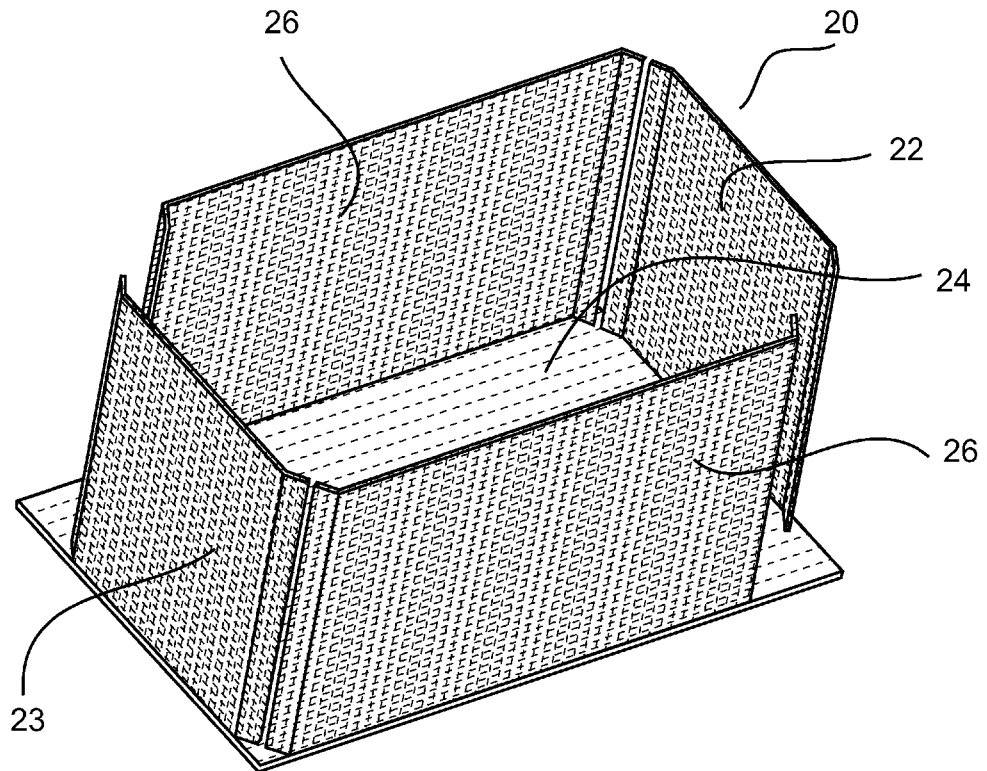


Figure 3

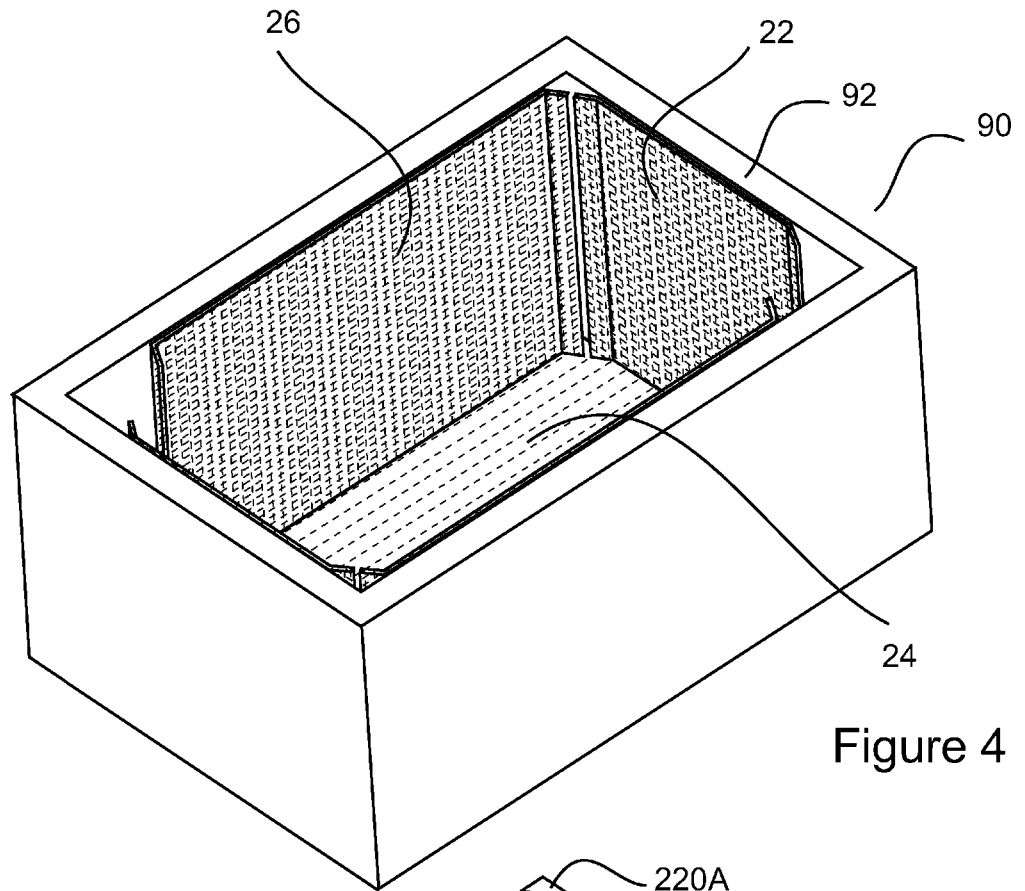


Figure 4

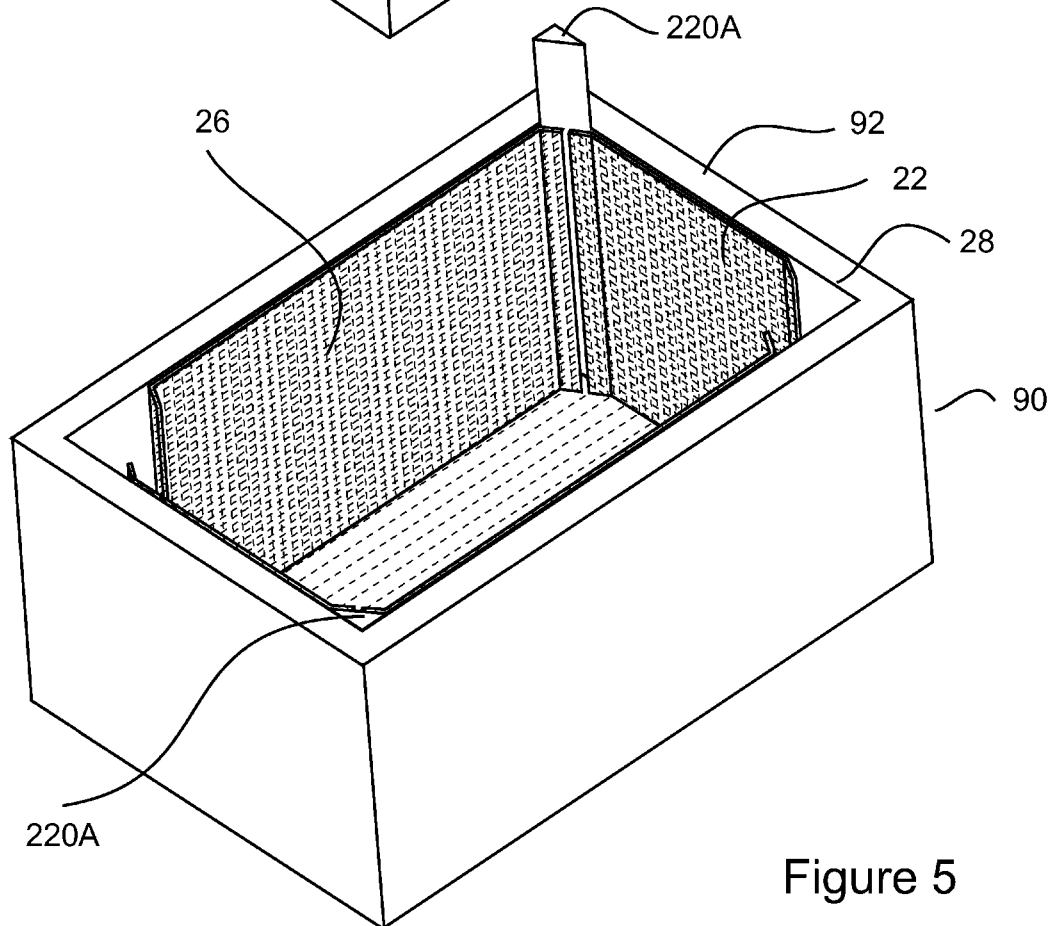


Figure 5

SUBSTITUTE SHEET (RULE 26)

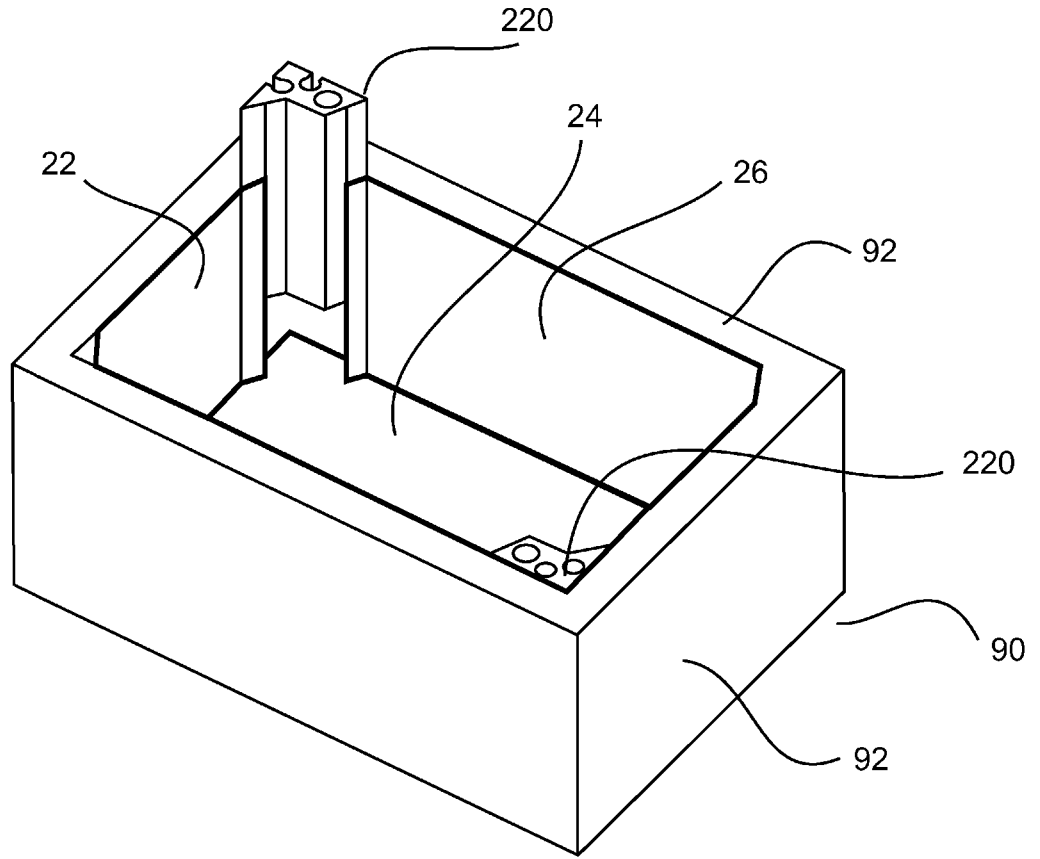


Figure 6

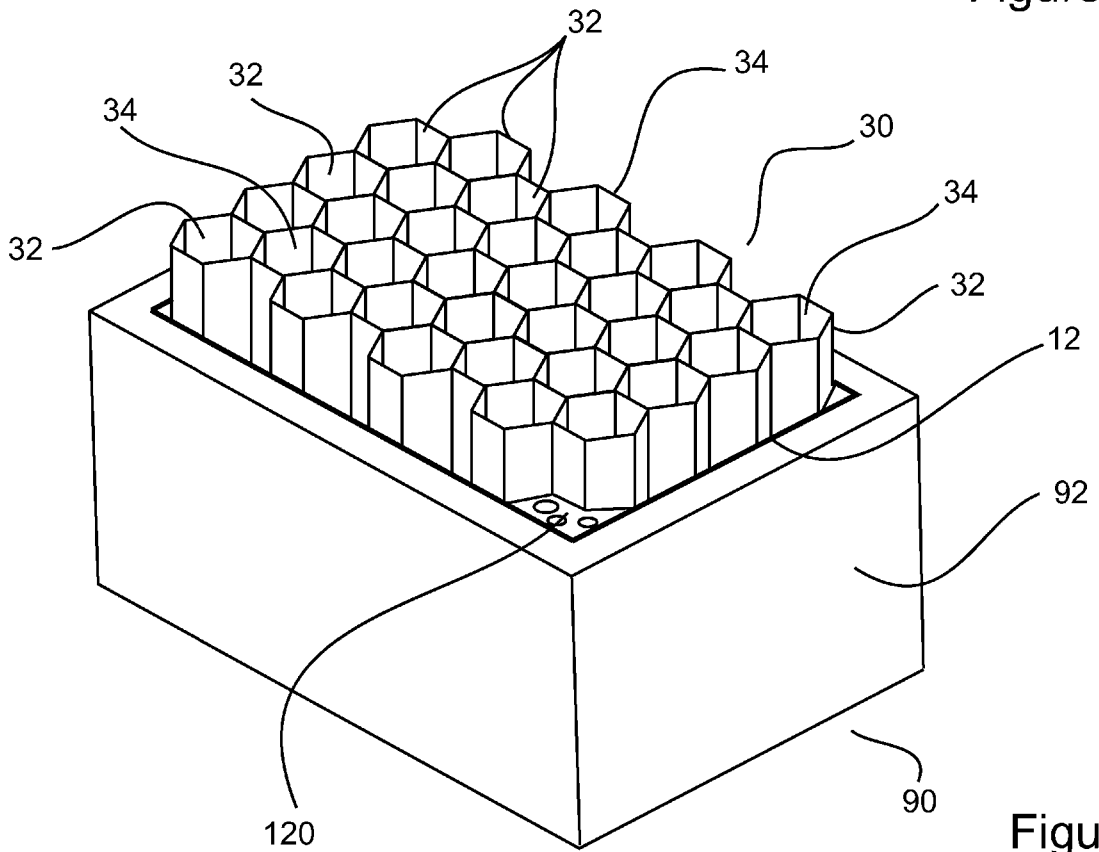


Figure 7

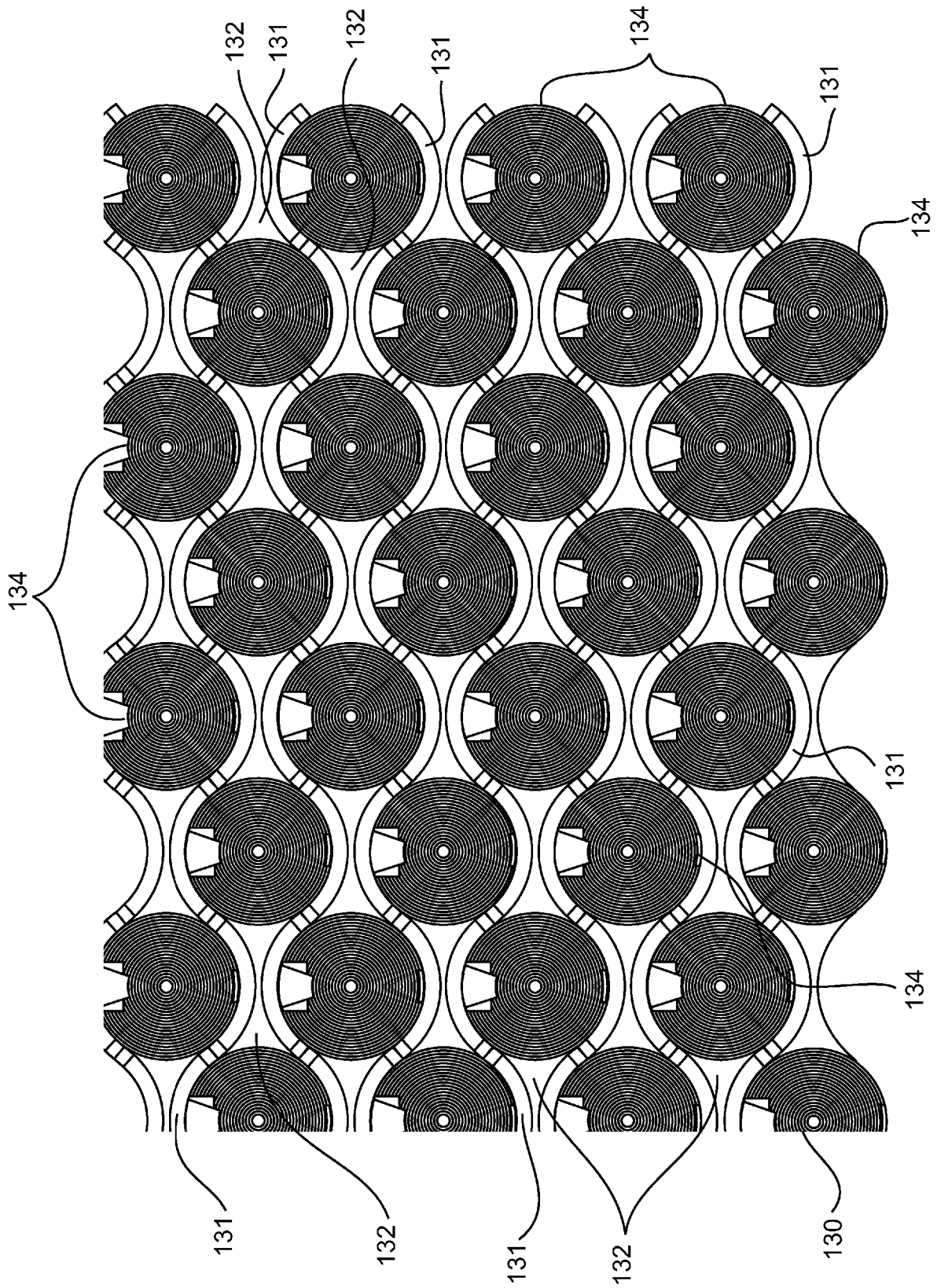


Figure 8

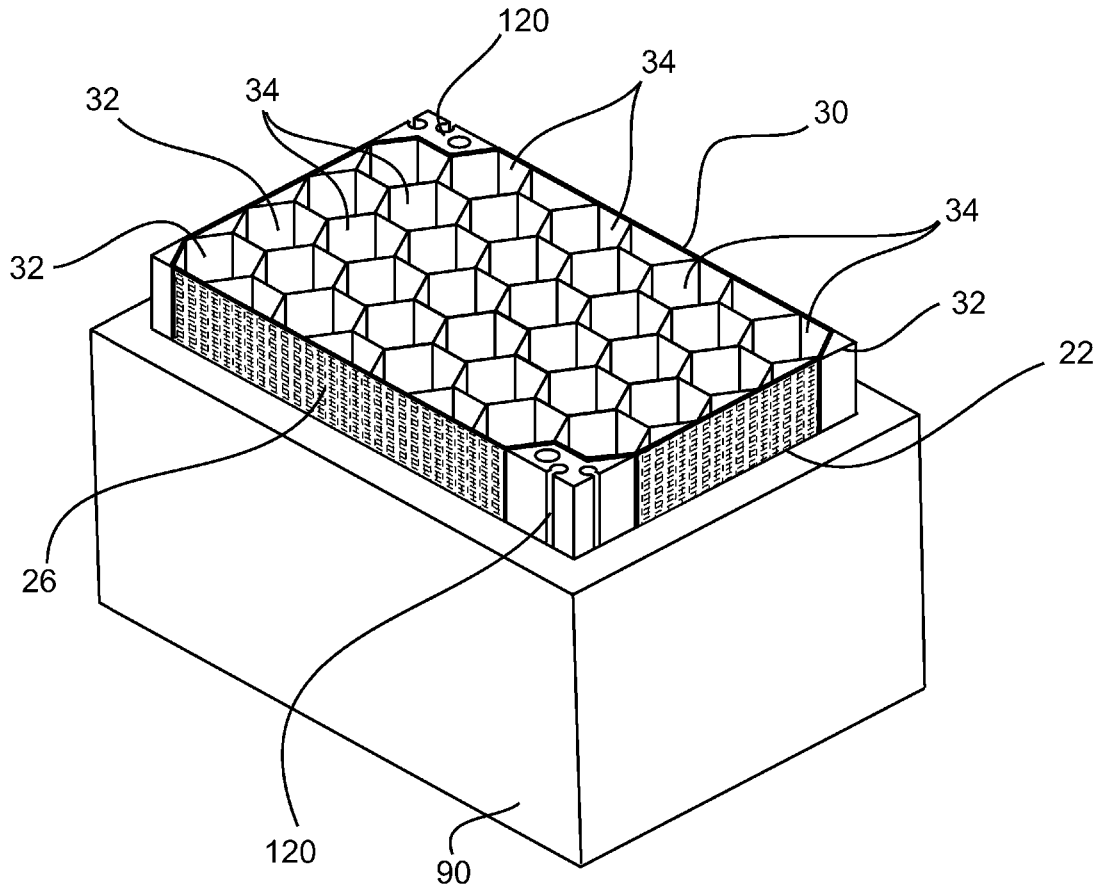


Figure 9

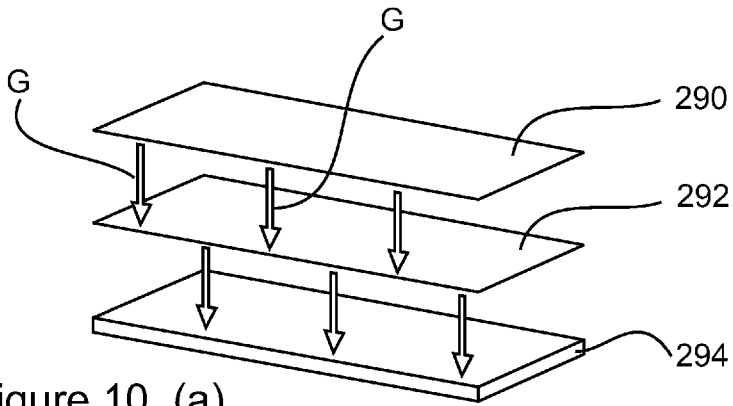


Figure 10 (a)

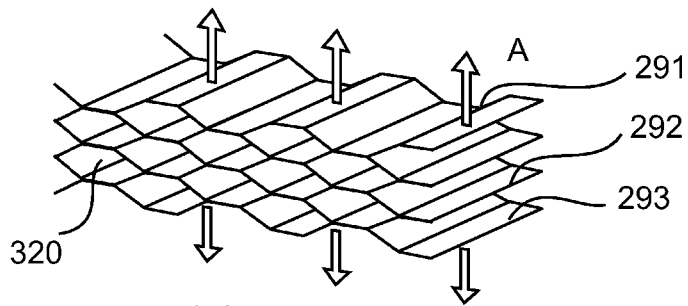


Figure 10 (b)

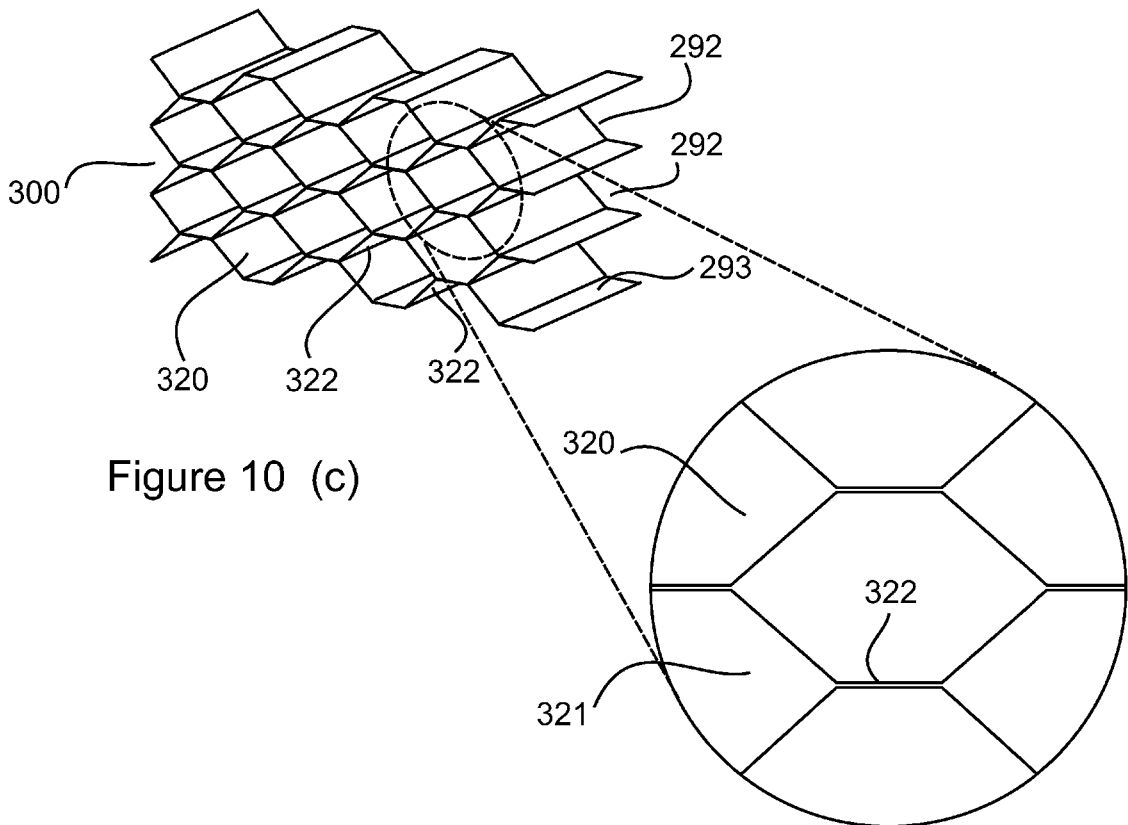


Figure 10 (c)

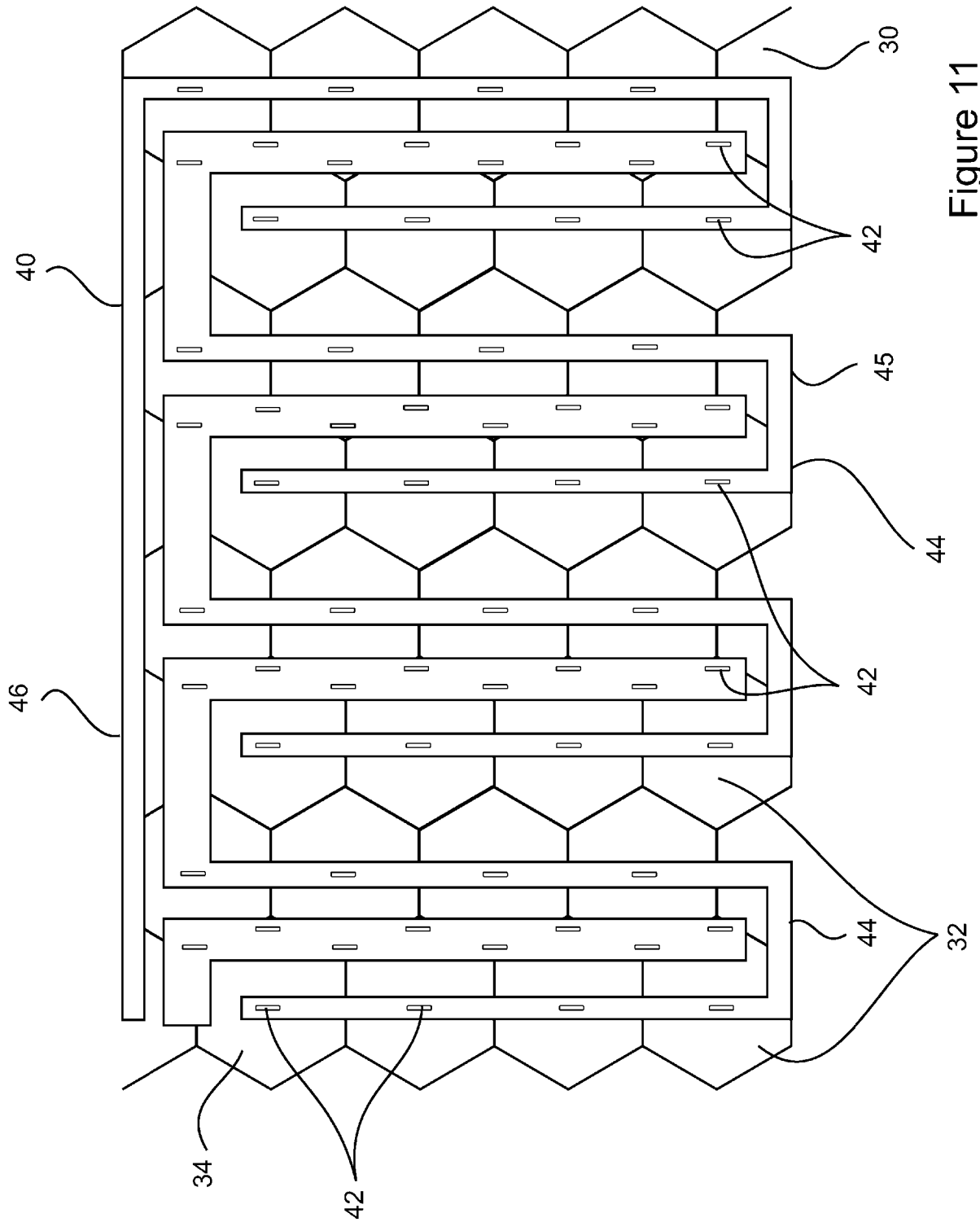
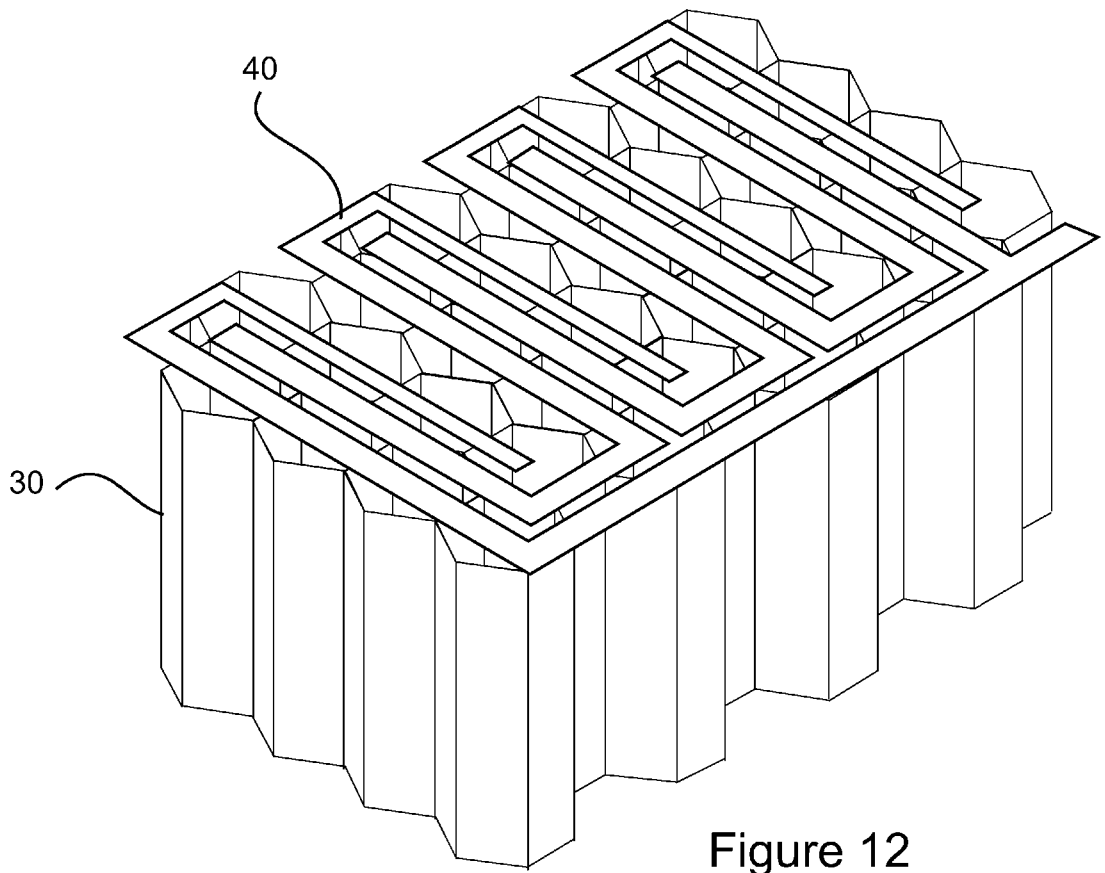


Figure 11



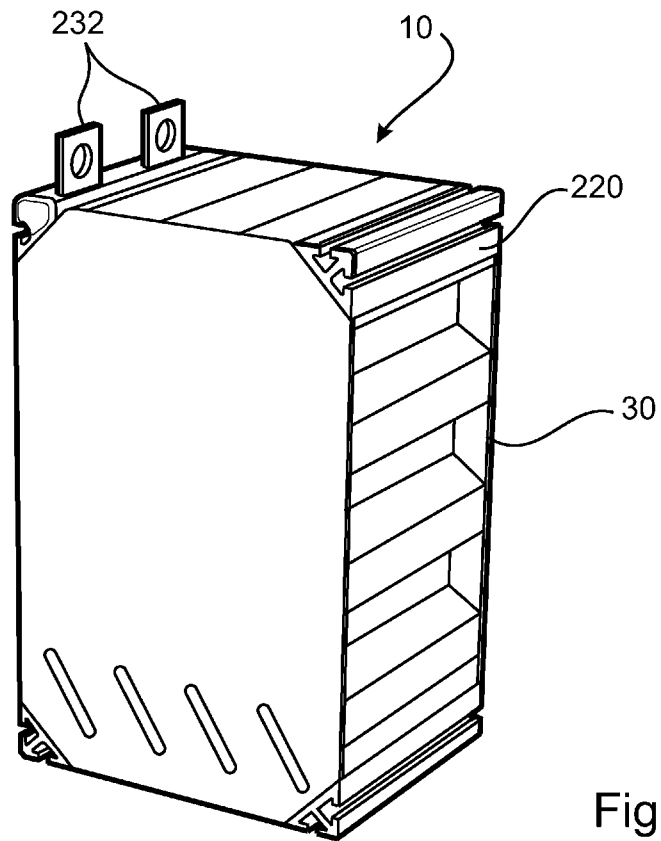


Figure 13

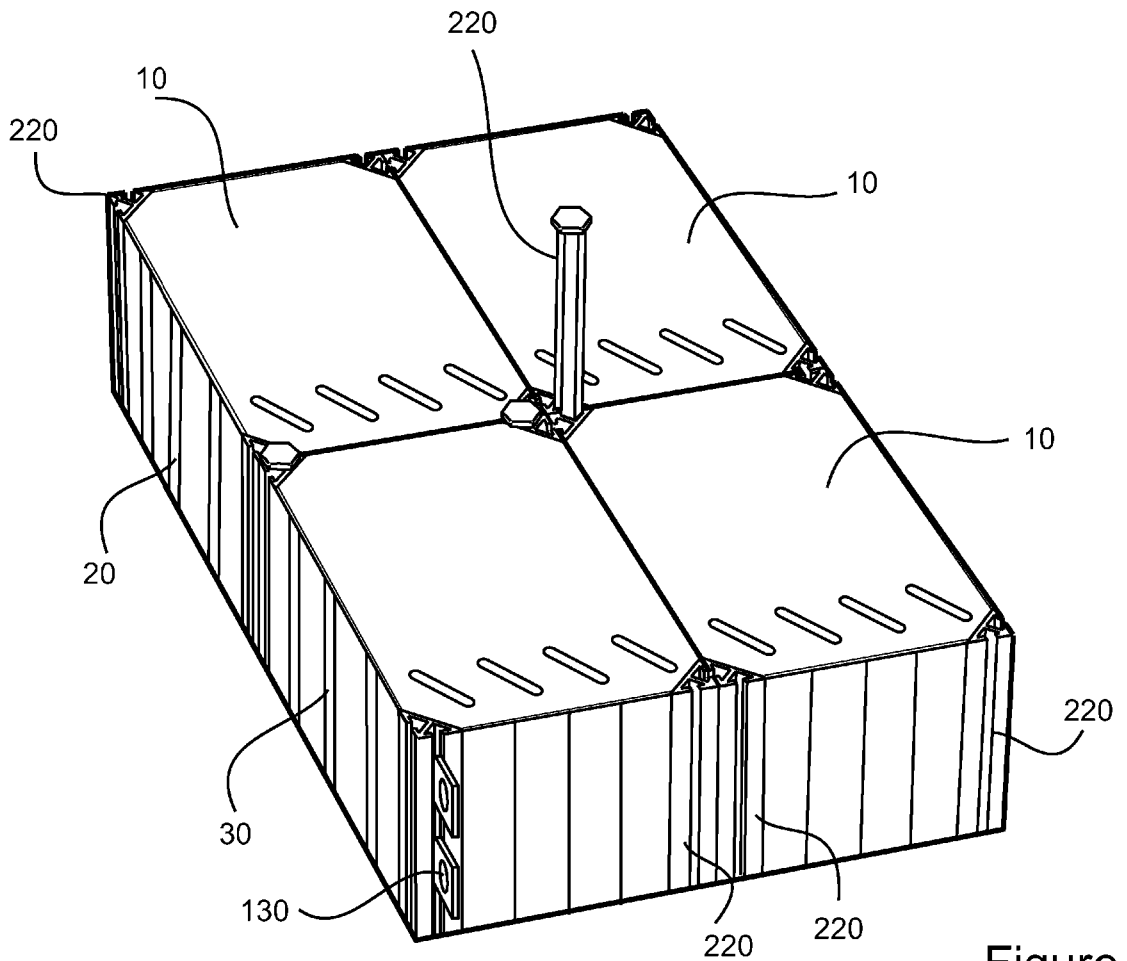


Figure 14

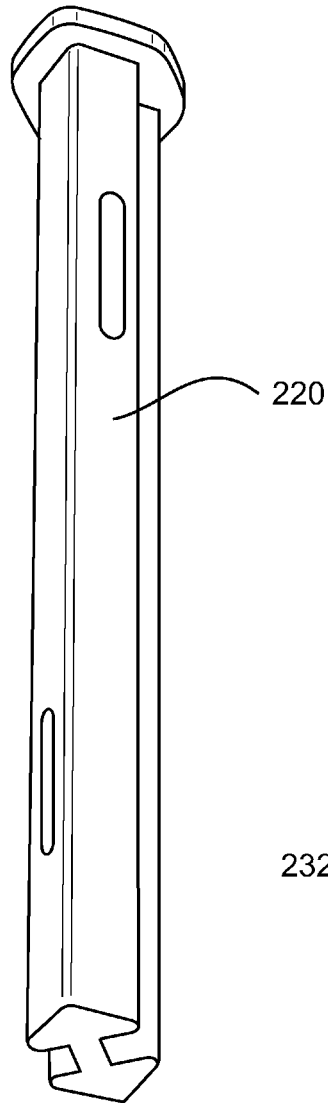


Figure 15

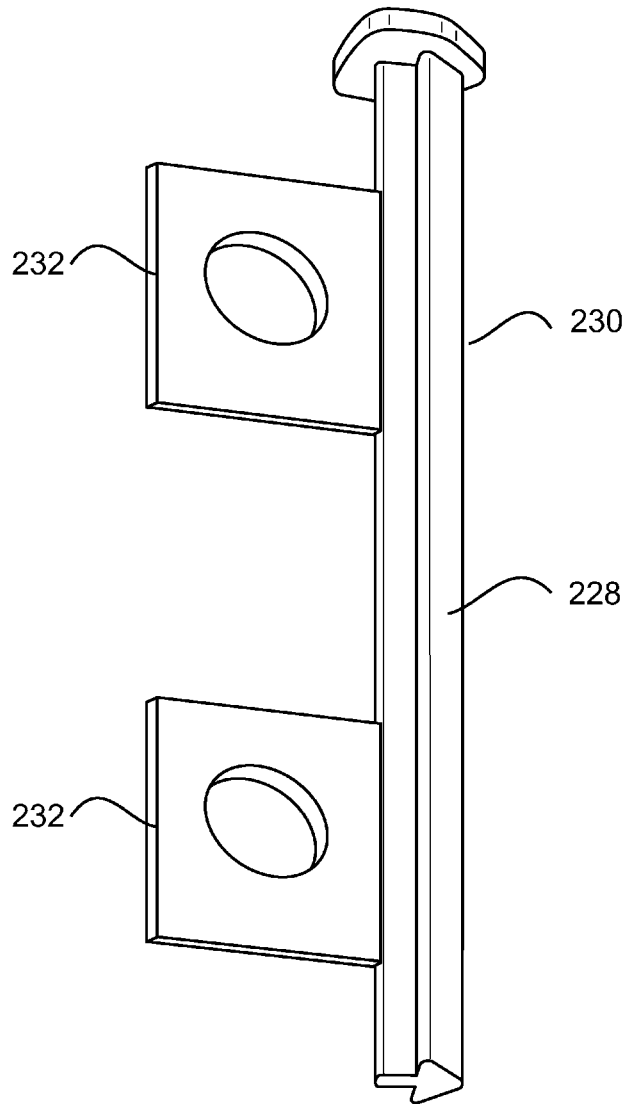


Figure 16

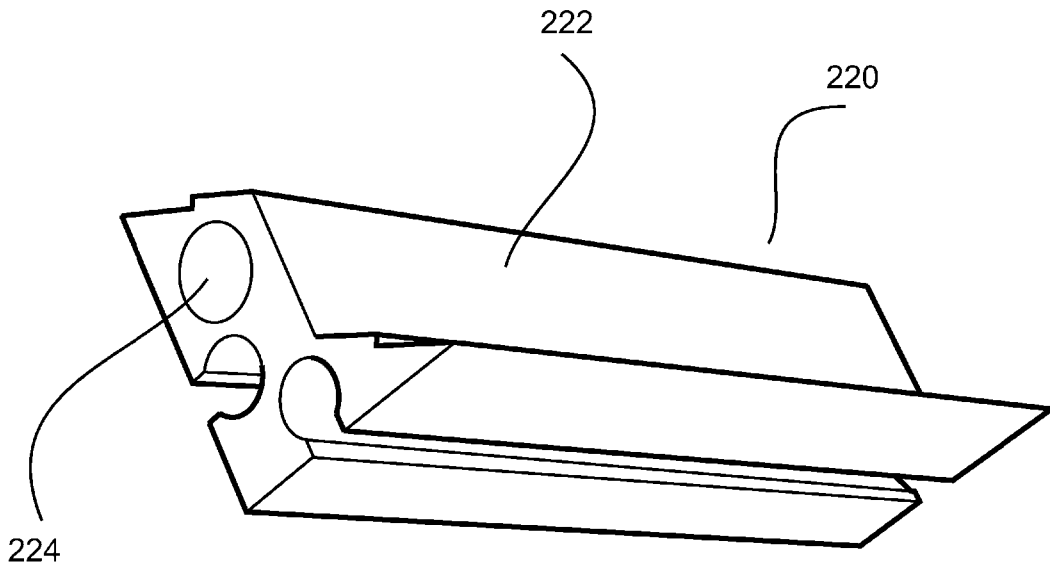


Figure 17

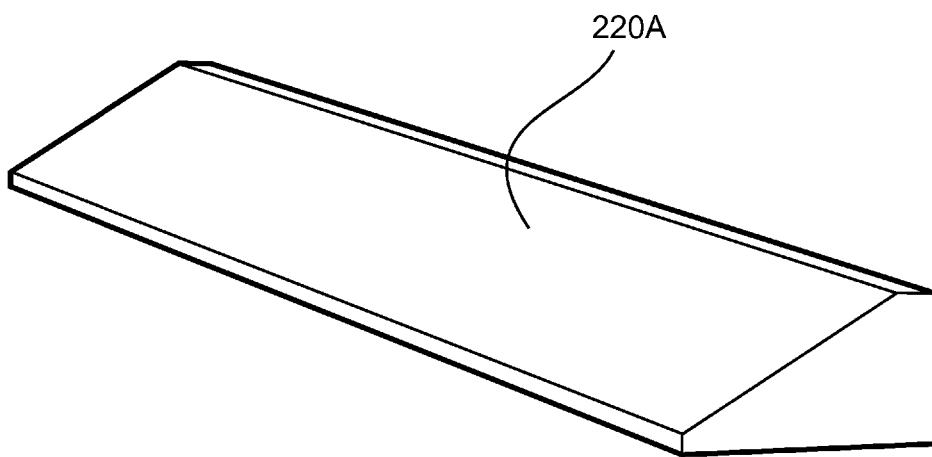


Figure 18