

DOCUMENT MADE AVAILABLE UNDER THE PATENT COOPERATION TREATY (PCT)

International application number:	PCT/GB2018/052155
International filing date:	30 July 2018 (30.07.2018)
Document type:	Certified copy of priority document
Document details:	Country/Office: GB
	Number: 1712382.9
	Filing date: 01 August 2017 (01.08.2017)
Date of receipt at the International Bureau:	09 August 2018 (09.08.2018)

Remark: Priority document submitted or transmitted to the International Bureau in compliance with Rule 17.1(a),(b) or (b-bis)

CERTIFICATE OF AVAILABILITY OF A CERTIFIED PATENT DOCUMENT IN A DIGITAL LIBRARY

The International Bureau certifies that a copy of the patent application indicated below has been available to the WIPO Digital Access Service since the date of availability indicated, and that the patent application has been available to the indicated Office(s) as of the date specified following the relevant Office code:

Document details: Country/Office: GB

Filing date: 01 Aug 2017 (01.08.2017)

Application number: 1712382.9

Date of availability of document: 20 Sep 2017 (20.09.2017)

The following Offices can retrieve this document by using the access code:

JP, US, SE, NZ, KR, EA, IN, BR, GB, AU, ES, NL, IB, EE, CN, MA,
FI, DK

Date of issue of this certificate: 09 Aug 2018 (09.08.2018)

Concept House
Cardiff Road
Newport
South Wales
NP10 8QQ

Certified Office Copy

I, the undersigned, being an officer duly authorised in accordance with Section 74(1) and (4) of the Deregulation & Contracting Out Act 1994, to sign and issue certificates on behalf of the Comptroller-General, hereby certify that annexed hereto is a true copy of the documents as originally filed in connection with patent application GB1712382.9 filed on 1st August 2017 and as stored electronically on the Patents Electronic Case file System.

The Patents Electronic Case-file System is compliant with British Standard BS10008 - Evidential weight and legal admissibility of information stored electronically and ISO15801 - Electronic imaging – information stored electronically, recommendations for trustworthiness and reliability.

In accordance with the Patents (Companies Re-registration) Rules 1982, if a company named in this certificate and any accompanying documents has re-registered under the Companies Act 1980 with the same name as that with which it was registered immediately before re-registration save for the substitution as, or inclusion as, the last part of the name of the words "public limited company" or their equivalents in Welsh, references to the name of the company in this certificate and any accompanying documents shall be treated as references to the name with which it is so re-registered.

In accordance with the rules, the words "public limited company" may be replaced by p.l.c., plc, P.L.C. or PLC.

Re-registration under the Companies Act does not constitute a new legal entity but merely subjects the company to certain additional company law rules.

Signed A HAYES

Dated 16 August 2017



Patents Form 1
Patents Act 1977 (Rule 12)

Request for grant of a patent

Concept House
Cardiff Road
Newport
South Wales
NP10 8QQ

Application number **GB 1712382.9**

1. Your reference	XA5265 GB#		
2. Full name, address and postcode of the applicant or of each applicant	BAE SYSTEMS plc 6 Carlton Gardens London SW1Y 5AD United Kingdom		
Patents ADP number (if you know it)	07914674004 ✓		
3. Title of the invention	CABLE POSITION STOPPER		
4. Name of your agent (if you have one)	BAE SYSTEMS plc, Group IP Dept		
"Address for service" to which all correspondence should be sent. This may be in the European Economic area or Channel Islands (see warning note below) (including the postcode)	PO Box 87 Farnborough Aerospace Centre Farnborough GU14 6YU Hampshire United Kingdom		
Patents ADP number (if you know it)	07914674002 ✓		
5. Priority declaration: Are you claiming priority from one or more earlier-filed patent applications? If so, please give details of the application(s)	Country	Application number	Date of filing
6. Divisionals etc: Is this application a divisional application, or being made following resolution of an entitlement dispute about an earlier application. If so, please give the application number and filing date of the earlier application			PDAS Access Code
			Number of earlier UK application
			Date of filing (day / month / year)
7. Inventorship: (Inventors must be individuals not companies)	Are all the applicants named above also inventors? No		
8. Are you paying the application fee with this form?	Yes		

Patents Form 1

9. Accompanying documents: please enter the number of pages of each item accompanying this form.

Continuation sheets of this form

Description: **7**

Claim(s): **2**

Abstract: **1**

Drawing(s): **4**

If you are not filing a description, please give details of the previous application you are going to rely upon

Country	Application number	Date of filing	PDAS Access Code
---------	--------------------	----------------	------------------

10. If you are also filing any of the following, state how many against each item.

Priority documents: **0**

Statement of inventorship and right to grant of a patent
(Patents Form 7): **0**

Request for search (Patents Form 9A): **1**

Request for a substantive examination (Patents Form 10): **0**

Any other documents (please specify): **PDAS Registration Form**

11. I/We request the grant of a patent on the basis of this application.

Signature: **/Sally Watts/**

Date: **01 Aug 2017**

12. Name, e-mail address, telephone, fax and/or mobile number, if any, of a contact point for the applicant

Burkes, Ms. Maria T
Email: ipd.enquiries@baesystems.com
Telephone: +44 (0) 3300 465252
Fax: + 44 (0) 1252 546419

Warning

After an application for a patent has been filed, the Comptroller will consider whether publication or communication of the invention should be prohibited or restricted under section 22 of the Patents Act 1977. You will be informed if it is necessary to prohibit or restrict your invention in this way. Furthermore, if you are resident in the United Kingdom and your application contains information which relates to military technology, or would be prejudicial to national security or the safety of the public, section 23 of the Patents Act 1977 prohibits you from applying for a patent abroad without first getting written permission from the Office unless an application has been filed at least 6 weeks beforehand in the United Kingdom for a patent for the same invention and either no direction prohibiting publication or communication has been given, or any such direction has been revoked. Until such time or until the revocation of any direction, for any such application the address for service referred to at part 4 above must be in the United Kingdom.

Although you may have an address for service in the Channel Islands, any agent instructed to act for you must reside or have a place of business in the European Economic Area or Isle of Man.

CABLE POSITION STOPPER

[0001] The present invention relates to a cable position stopper for use in the positioning and installation of a cable and connectors to a piece of equipment.

5 [0002] When installing equipment it is common to connect cables and connectors to the equipment. The position of the equipment can make the connection and/or the positioning of the cable difficult to install. The equipment may be positioned in a place which means that the weight of the cable pulls down on the connector. This problem can be exacerbated by adverse operating conditions. One way of reducing the effect of
10 the tension on the connector is to place the cable in a conduit, often of metal, between the equipment and the other end of the cable. In order to stop the cable moving relative to the conduit it is traditional to use a potted bung positioned within, or at the end of, the conduit to prevent the cable from moving.

[0003] The potted bung is traditionally made from a rubberised compound. The use of
15 such rubberised bungs does not always provide the necessary positional accuracy required for the consistent life of the cable. In addition, the rubberised materials tend to bond themselves to the metal component of the conduit when in constant contact and particularly when put through elevated heat cycles. This leads to the cable becoming stuck within the conduit and the effect of the conduit being less useful in terms of
20 reducing the tension in the connector.

[0004] Figure 1 shows a typical set up with a piece of equipment 100 (for example an antenna mounting) connected at one end 101 to a connection (for example, an electrical connection) and to a far end 102 by a cable 103. At a certain point the cable is placed within a conduit 104 (a routing conduit) which extends from the ground 105 to
25 the position of the equipment. The (far) end of the cable 102 is continually under tension which can affect the connection of the connector. The rubberised bung provides some relief from this but suffers from the inherent problems identified above. As a result, a need exists for a new type of conduit and stopper for preventing the tensions on the connector in any environment.

30 [0005] One object of the present invention is to provide a cable stopper which overcomes at least some of the problems of the prior art rubberised bungs.

[0006] According to an aspect of the present invention there is provided a stopper for attachment to a cable, the cable being intended to be inserted in to a conduit; the stopper comprising: an internal hole intended to accommodate the cable and an outer
35 surface of which at least a part is adapted to conform to the geometry of an end of the

conduit; wherein the stopper is formed in one or more parts from a plastics material (a plastic); and in use the stopper is fitted within the conduit and is able to move with a degree of angular articulation.

[0007] Preferably, the stopper has a circular cross-section.

5 [0008] Preferably, the stopper is oval in shape.

[0009] Preferably, the stopper comprises a gripping mechanism to hold the stopper in a predetermined position on the cable.

[0010] Preferably, the gripping mechanism comprises one or more of a gripping member and adhesive.

10 [0011] Preferably, the stopper is made of a single part bonded to the cable in the manufacture thereof.

[0012] Preferably, the stopper comprises two or more parts adapted to be connected together in use around the cable at a predetermined location.

[0013] Preferably, the stopper is made of two parts.

15 [0014] Preferably, the stopper includes a hinge along one edge.

[0015] Preferably, the two parts are adapted to snap together around the cable in use.

[0016] Preferably, the stopper includes a one or more grooves in the surface area for receiving a fastener that can be tensioned to hold two or more parts together.

[0017] Preferably, the fastener is a zip-tie.

20 [0018] According to an aspect of the present invention there is provided a cable, including a stopper according to another aspect of the present invention.

[0019] According to an aspect of the present invention there is provided a conduit adapted to accommodate a cable having a stopper according to another aspect of the present invention.

25 [0020] According to an aspect of the present invention there is provided a combination of a conduit according to an aspect of the present invention, a cable according to an aspect of the present invention and a stopper to an aspect of the present invention.

[0021] According to an aspect of the present invention there is provided a method of
30 manufacturing a stopper for use with a cable to be inserted in a conduit having a predetermined geometry at an end thereof, the method comprises: determining a shape of the predetermined geometry of the conduit; forming the stopper of one or two

parts of a plastics material having at least a part conforming to the geometry of the conduit; and attaching the stopper to the cable.

DESCRIPTION OF THE DRAWINGS

5 [0022] Figure 1 shows a prior art cable and equipment connected in a particular environment.

[0023] Figure 2 is a view of a connector and cable conduit according to one aspect of the present invention.

[0024] Figures 3A and 3B are design drawings of the cable stopper, according to an embodiment of the present invention.

10 [0025] Figure 4 is a diagram showing the cable stopper in place on a cable, according to an embodiment of the present invention.

[0026] Figure 5 is a diagram showing the cable stopper in two parts which can be combined together, according to an embodiment of the present invention.

15 [0027] Figure 6 is a diagram showing the cable stopper in two parts combined together, according to an embodiment of the present invention.

[0028] Figure 7 shows a cable stopper in situ in a conduit, according to an embodiment of the present invention.

[0029] Figure 8 is a flow chart showing a method of manufacture of the stopper, according to an embodiment of the present invention.

20 [0030] According to figure 2 a piece of equipment 200 (for example an antenna mounting plinth) is shown connected to a cable 202 by means of a connector 204. Part of the cable is held within a conduit 206 which may be secured to a surface in the vicinity of the equipment by a mounting 208. A stopper 210 is located at the top end of the conduit 206 and fits within the opening to hold the cable in a desired position. The
25 top of the conduit has a flared top section to accommodate the shape of the stopper. To be more precise the stopper of the present invention sits in the top of the flared conduit geometry and stops any cable loads being transferred to the connector. The cable does remain relatively flat and the movement of the cable relative to the equipment does not disengage the connector.

30 [0031] The stopper is adapted to be shaped so that it sits correctly within the geometry of the conduit. The shape of the conduit is any predetermined shape which can hold the stopper and support the cable to prevent the cable being damaged and to enable the tension in the cable to be dissipated so that the connector is not pulled out of the connection.

35 [0032] The connector and stopper of the present invention can be used on any equipment installation on any platform that may have adverse conditions in the service

life of the cable or connector. Such conditions may include high gravitational forces and aggressive vibration coupled with increased temperature ranges. The invention does promote a rugged nature of equipment installation and avoids failures and potentially increases service life. The invention is applicable to any environment where equipment
5 needs to be connected to a cable housed within a conduit. Typical examples of such environment might be on an aircraft, a boat or a land vehicle of any type. However, this is not intended to be a limitation to the possible use of the present invention.

[0033] Referring to figures 3A and 3B the stopper 300 is shown in greater detail. The figures include a number of general dimensions and angles. These dimensions are not
10 intended to be limitative and are shown only by way of example. As can be seen from figure 3B the stopper has a circular cross section; and is tapered at either end as shown in figure 3A. The shape of the taper on either end is intended to accommodate the conduit geometry 302 as shown in figure 3A.

[0034] The body of the stopper includes a number of grooves or holes intended to
15 secure the stopper to the cable and to ensure that there is a tight fit around the cable. To this end, the stopper may be made in two halves as shown in figure 5 and then connected together by means of a fastener. This will be described in greater detail below.

[0035] In the case of a one-piece design, an injection port 304 is provided to allow for
20 consistent injection of adhesive. Suitable adhesives are epoxy adhesives such as a two-part room temperature cure epoxy adhesive (for example MasterBond's® EP31 or EP42HT-2LO). An annular ring feature 306 is used to allow for even consistent distribution of adhesive around the cable when the stopper is fixed to the cable in the manufacturing process. The stopper can thus be bonded on to the cable during
25 manufacture and permanently fixed in position. Manufacture of the cable with the integrated stopper is one example of how the stopper can be used in conjunction with the cable. However, other manners in which the cable and stopper can be combined are also intended to be included in the present invention.

[0036] The stopper comprises at least one plastic (for example a thermoset plastic or
30 thermoplastic). Preferably the plastic is a thermoplastic with a glass transition temperature (T_g) of from about 50°C to 250°C, 50°C to 200°C, 50°C to 175°C, 50°C to 150°C, 50°C to 150°C). The plastic may have a T_g in excess of about 40°C, 50°C, 60°C, 70°C, 80°C, 90°C, 100°C, 110°C, or 120°C. The at least one plastic also preferably has a melting temperature in excess of 150°C, more preferably in excess of
35 about 160, 170, 180, 190, 200, 210, 220, 230, 240, 250, 260, 270, 280, 290 or 300 °C. For example, the stopper may be manufactured from a plastic such as a nylon (for example polyamide (nylon) 6.6), a polyaryletherketone, such as polyetheretherketone

(PEEK) or a polycarbonate. Any other similar type of material can be used. Indeed, the stopper could be made from a metal or metal alloy such as aluminium, steel or brass or any such metal/metal alloy with abrasive resistance. The material is intended to be of a type that would not be affected by exposure to temperature (for example above
5 temperatures of about 80 °C) or frequent heat cycles and therefore would not slip within, or stick to, the conduit as has been a problem of prior art bungs. The shape of the stopper is designed to fit with a predetermined conduit having a predetermined shape at the end thereof. The use of a conduit having a flare or other conduit geometry, as described above allows a degree of angular articulation as the cable exits
10 the conduit. In addition, the use of the curved edge as described above, avoids any sharp edges near the bend radius in the cable and therefore there is less likelihood of the cable being damaged by the edge of the conduit.

[0037] The conduit is shown having circular cross section and an elongated overall form. However, it will be appreciated that different shapes and cross sections are
15 equally usable as long as the conduit is of a substantially corresponding shape. Examples of different shapes include cubes, squares and any other appropriate geometrical shape.

[0038] As previously mentioned figure 4 shows the stopper adhered to the cable during its manufacture as a one part plastic moulding. The stopper may grip the cable via a
20 gripping mechanism, methods or processes other than adhesive. For example, the internal surface of the stopper may include gripping members which grip the cable and hold the stopper in the required location along the cable and stop the stopper from moving in location in the conduit.

[0039] Referring to figure 5, as previously suggested the stopper may be manufactured
25 so that it can be fitted or retrofitted to a cable after the cable has been manufactured. In this case, the stopper is formed of two or more parts 500 and 502. In the illustrated example, the two parts include a number of grooves 504 which are intended to enable the stopper to be connected together. As shown in figure 6 the two parts of the stopper 500 and 502 can be combined together by means of a zip-tie 600. It will be appreciated
30 that as there are two grooves in the example shown there may be two zip connectors 600. However, in other embodiments a single zip connector may be sufficient.

[0040] The stopper could be manufactured as two halves that have a hinge down one side and snapped together around the cable to allow fitment after cable manufacture. This approach would encompass a self-locking feature to keep the stopper in a closed
35 condition and clamped to the cable. The stopper could be assembled around the cable using two half components secured using standard zip-ties as previously described. This could be used in conjunction with a series of annular gripping features within the

stopper to aid secure placement of the stopper relative to the cable. The annular gripping feature could be used on any of the different embodiments described above.

[0041] An advantage of having a removable, two part fastener is that the stopper could be removed and repositioned either during installation or after installation as required.

5 Adjustment in this way means that the benefits of the present invention can be realised by adjustment if the initial positioning of the stopper on the cable is not in the right position.

[0042] An alternative to using grooves 504 and a zip fastener 600 would be to include a number of small fasteners to connect the two halves together. These fasteners may
10 be of any appropriate nature and include small screws and other types of fastening.

[0043] Referring now to figure 7, the conduit 700 is shown with a flared end 702. The stopper 700 is shown in position within the flared opening of the conduit 700. As previously indicated the conduit may be any shape or size and used in any environment. The opening at the end of the conduit may be any shape or size and the
15 stopper is ideally adapted to cooperate with the geometry of the opening so that the required articulation of the "joint" between the cable and the conduit is achieved. The joint is the point of contact between the conduit end and the stopper, which allows movement of the cable and as necessary absorbs the forces that might disengage the connector from the equipment to which it is connected. The forces are essentially
20 absorbed by the degree of articulation which occurs at the joint. That articulation will depend on the relative shapes of the stopper and conduit and the intrinsic local forces. One such force is generated by the weight of the cable relative to the location on the connector and the conduit.

[0044] In the various embodiments shown above the stopper is shown entirely
25 surrounding the cable however it will be appreciated that in certain circumstances two parts of the stopper could only partially surround the cable leaving gaps in the stopper that are not in contact with the cable and/or the conduit, in use. In this situation, the gripping features could be located at the edges of the parts of the stopper to ensure that they do not move relative to the cable towards one and other.

30 [0045] It should be noted that the stopper may be made of more than two parts and may be made up of many different parts connected together in which of a manner makes sense for the nature of the conduit.

[0046] Referring to figure 8, a method of manufacturing a cable for connection to equipment will now be described. In the first step 800 a determination is made of the
35 shape of the conduit and the expected location of the stopper. At step 802 the stopper is formed of one or more parts as required by the design. At step 804 the stopper is attached to the cable. As previously indicated this may be part of the manufacturing

process of the cable. Alternatively, this may be a separate process from the manufacturer of the cable where the stopper is retrofitted to the cable after the cable has been manufactured. In this second case attachment of the stopper may be made by means of an appropriate fasten mechanism as discussed above. This fasten
5 mechanism may include zip-ties, screws or other types of fastening. At step 806 the stopper and cable are inserted into the conduit. At step 808 the integrated cable and conduit is ready for use and the cable may be connected to whatever equipment is required.

[0047] Although the present invention has been described in connection with some
10 embodiments, it is not intended to be limited to the specific form set forth herein. Rather, the scope of the present invention is limited only by the accompanying claims. Additionally, although a feature may appear to be described in connection with particular embodiments, one skilled in the art would recognize that various features of the described embodiments may be combined in accordance with the invention. In the
15 claims, the term 'comprising' does not exclude the presence of other elements or steps.

[0048] Furthermore, the order of features in the claims does not imply any specific order in which the features must be performed and in particular the order of individual steps in a method claim does not imply that the steps must be performed in this order. Rather, the steps may be performed in any suitable order. In addition, singular
20 references do not exclude a plurality. Thus, references to 'a', 'an', 'first', 'second', etc. do not preclude a plurality. In the claims, the term 'comprising' or "including" does not exclude the presence of other elements.

CLAIMS

1. A stopper for attachment to a cable, the cable being intended to be inserted in to a conduit; the stopper comprising: an internal hole intended to accommodate the cable and an outer surface of which at least a part is adapted to conform to the geometry of an end of the conduit; wherein the stopper is formed in one or more parts from a plastic; and in use the stopper is fitted within the conduit and is able to move with a degree of angular articulation.
2. The stopper according to claim 1, wherein the stopper has a circular cross-section.
3. The stopper according to claim 1 or 2, wherein the stopper is oval in shape.
4. The stopper according to any one of claims 1 to 3, wherein the stopper comprises a gripping mechanism to hold the stopper in a predetermined position on the cable.
5. The stopper according to claim 4, wherein the gripping mechanism comprises one or more of a gripping member and adhesive.
6. The stopper according to any one of claims 1 to 5, wherein the stopper is made of a single part bonded to the cable in the manufacture thereof.
7. The stopper according to any one of claims 1 to 5, wherein the stopper comprises two or more parts adapted to be connected together in use around the cable at a predetermined location.
8. The stopper according to claim 7, wherein the stopper is made of two parts.
9. The stopper according to claim 7 or 8, wherein the stopper includes a hinge along one edge.
10. The stopper according to any one of claims 7 to 9, wherein the two parts are adapted to snap together around the cable in use.
11. The stopper according to any one of claims 7 to 9, wherein the stopper includes one or more grooves in the surface area for receiving a fastener that can be tensioned to hold the two or more parts together.
12. The stopper according to claim 11, wherein the fastener is a zip-tie.
13. A cable, including a stopper according to any one of the preceding claims.
14. A conduit adapted to accommodate a cable having a stopper according to any one of claims 1 to 12.
15. A combination of a conduit according to claim 14, a cable according to claim 13 and a stopper according to any one of claims 1 to 12.
16. A method of manufacturing a stopper for use with a cable to be inserted in a conduit having a predetermined geometry at an end thereof, wherein the method comprises:

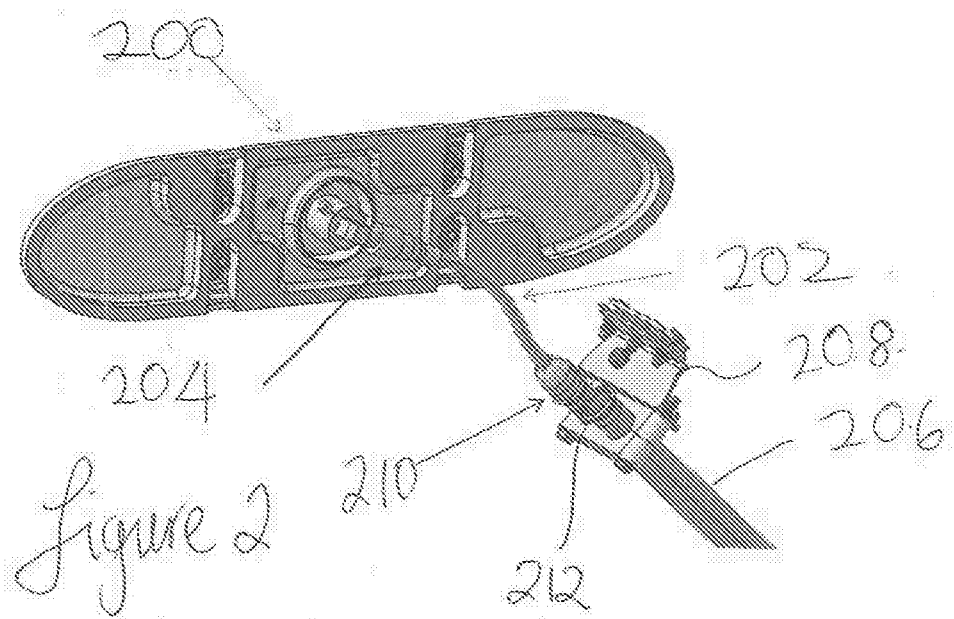
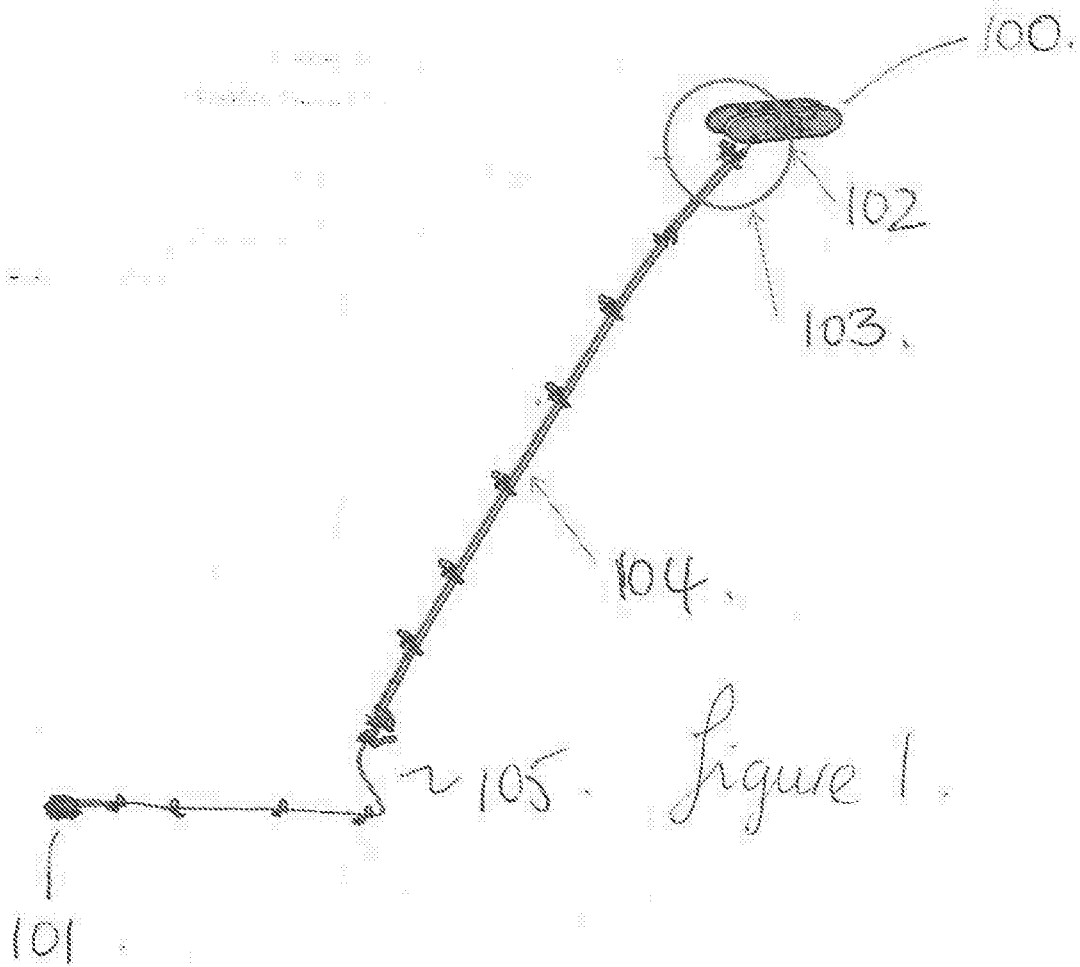
determining a shape of the predetermined geometry of the conduit;
forming the stopper of one or two parts of a plastics material having at
least a part conforming to the geometry of the conduit; and
attaching the stopper to the cable.

Abstract:

A stopper for attachment to a cable, the cable being intended to be inserted in to a conduit; the stopper comprising: an internal hole intended to accommodate the cable and an outer surface of which at least a part is adapted to conform to the geometry of
5 an end of the conduit; wherein the stopper is formed in one or more parts from a plastics material; and in use the stopper is fitted within the conduit and is able to move with a degree of angular articulation.

10 Figure 4

1/4



2/4

300

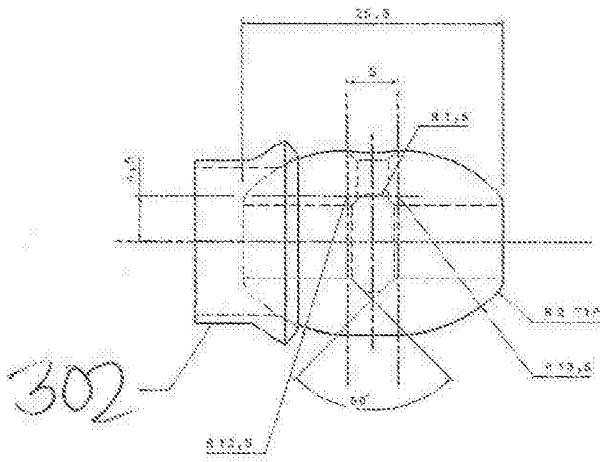


Figure 3a

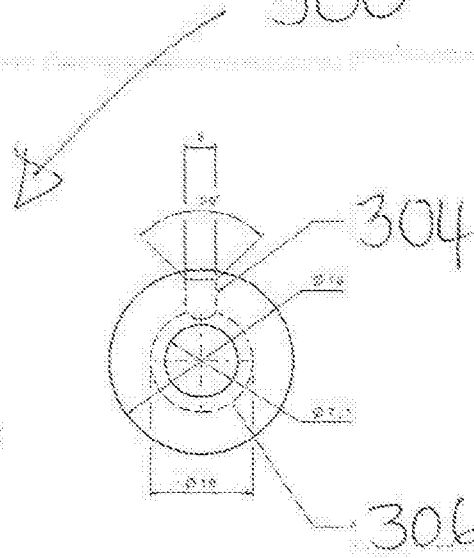


Figure 3b

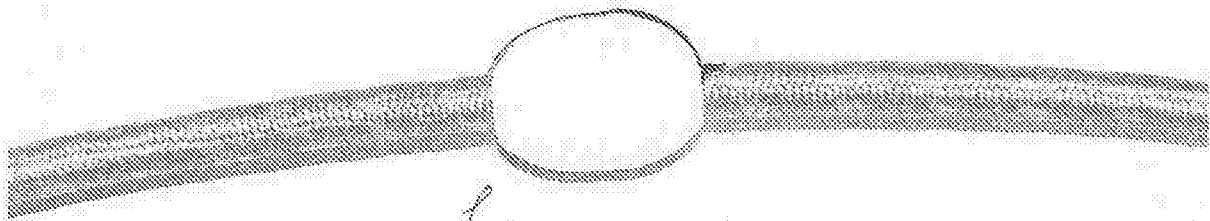


Figure 4

3/4

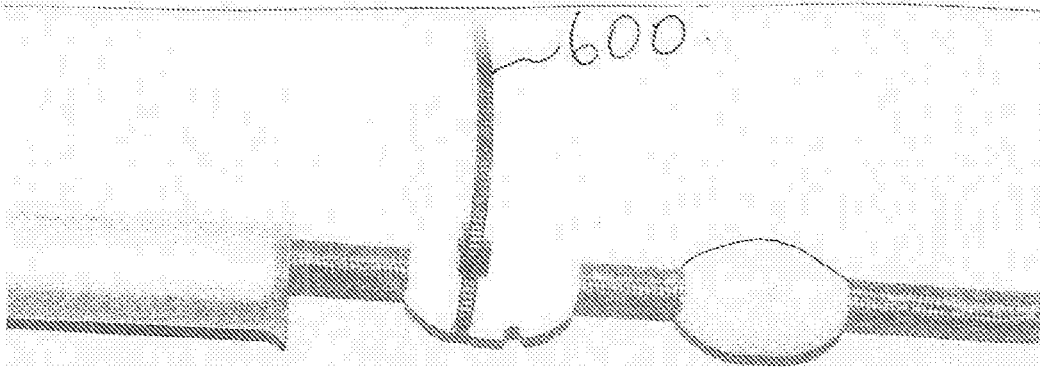
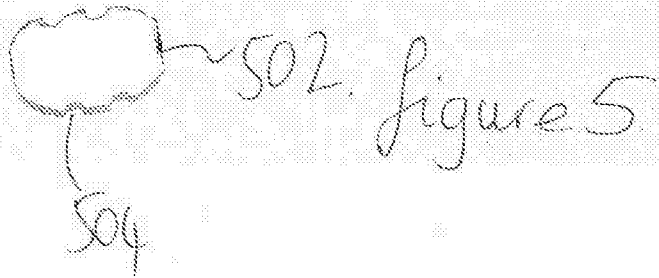
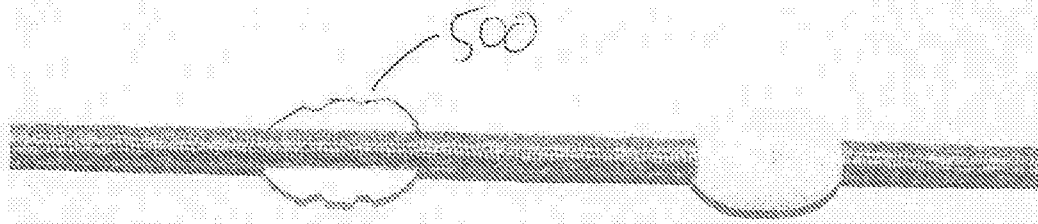


figure 6

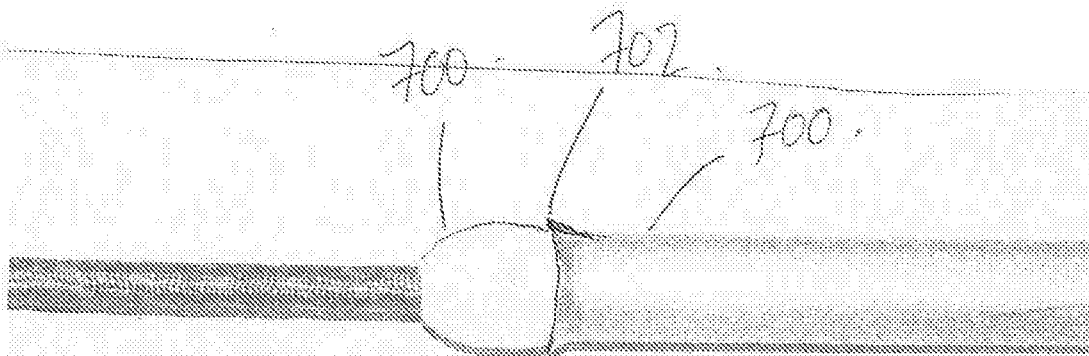


figure 7

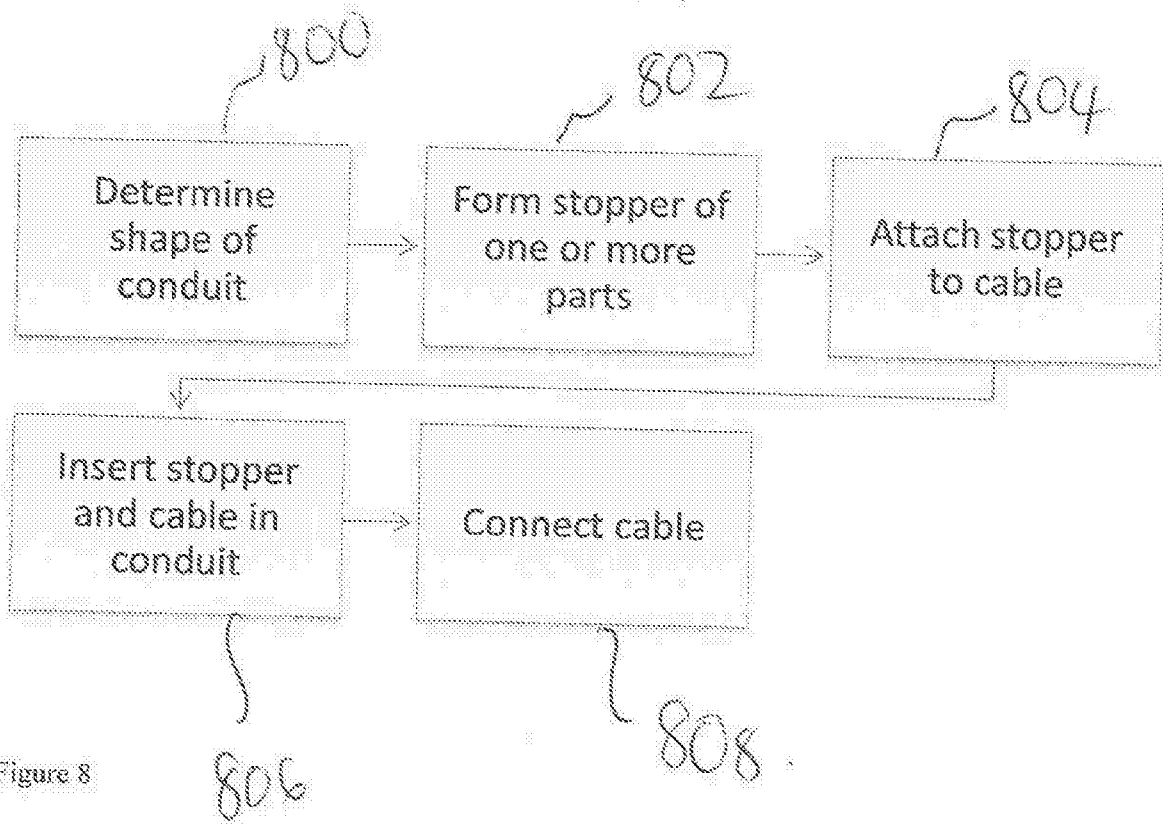


Figure 8