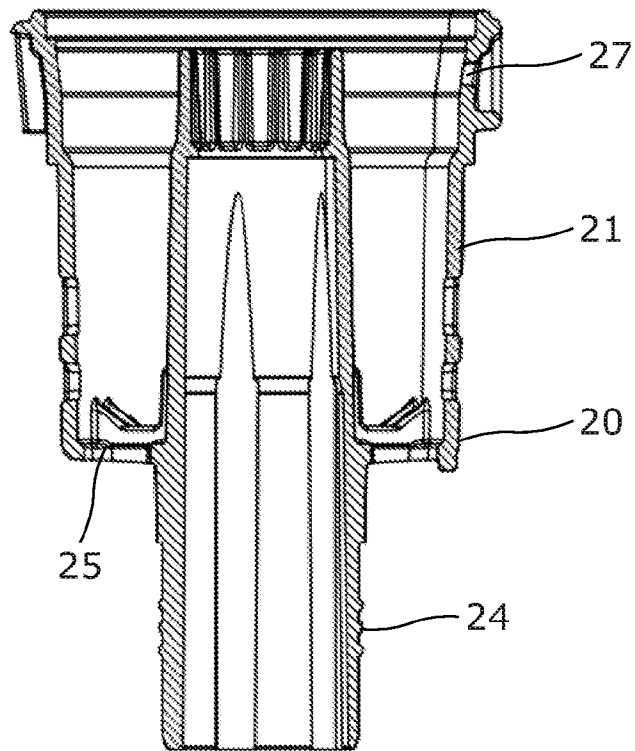
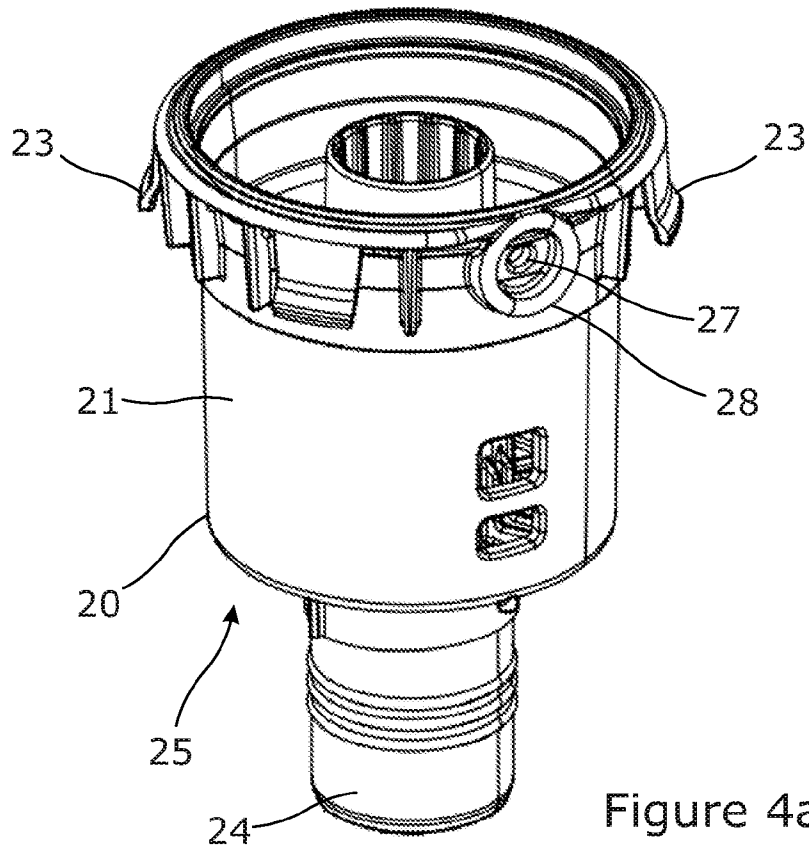


Figure 3

3/12



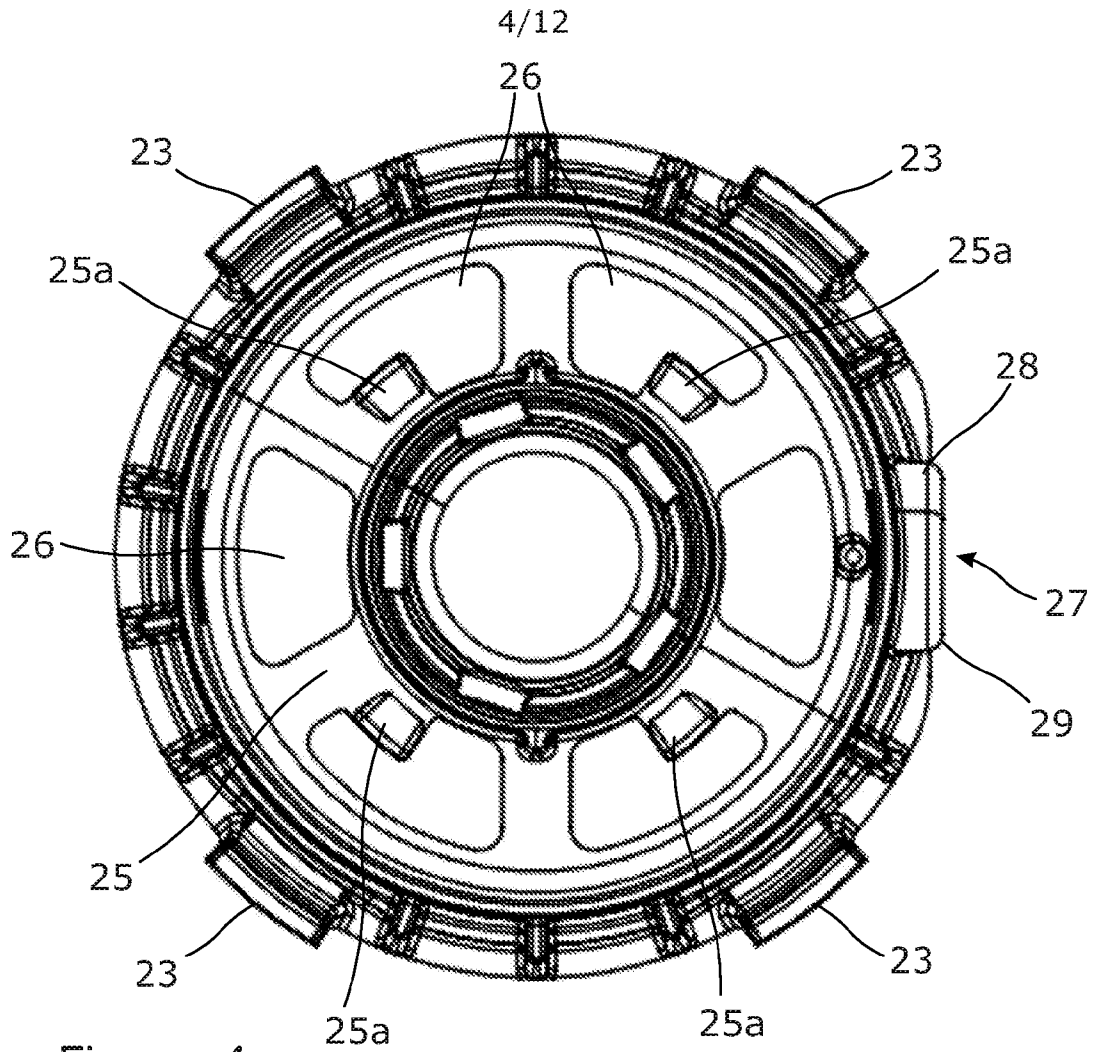


Figure 4c

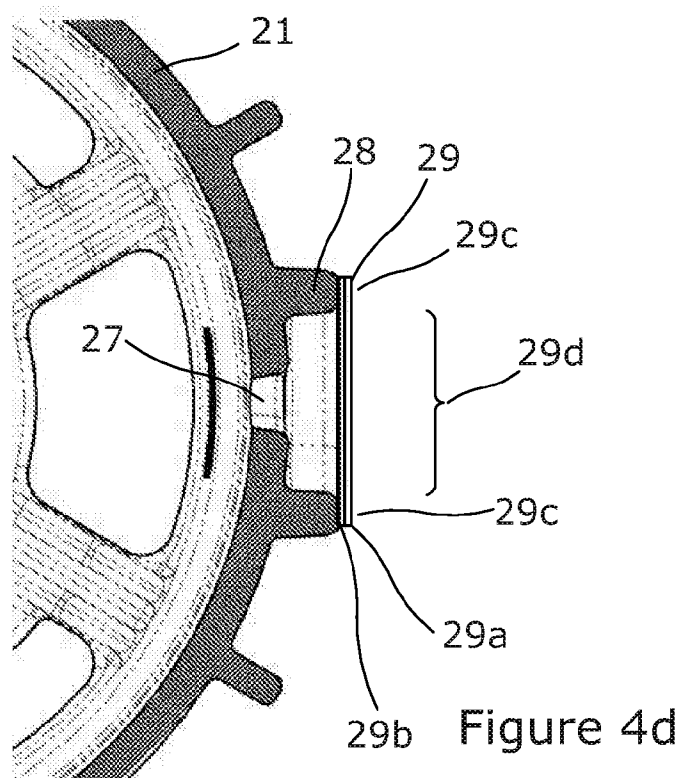


Figure 4d

5/12

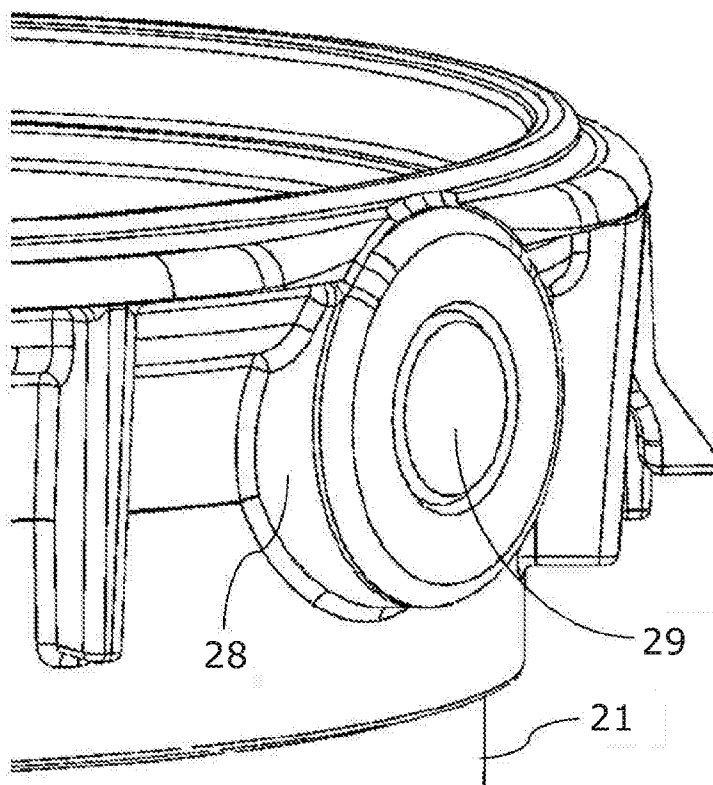


Figure 4e

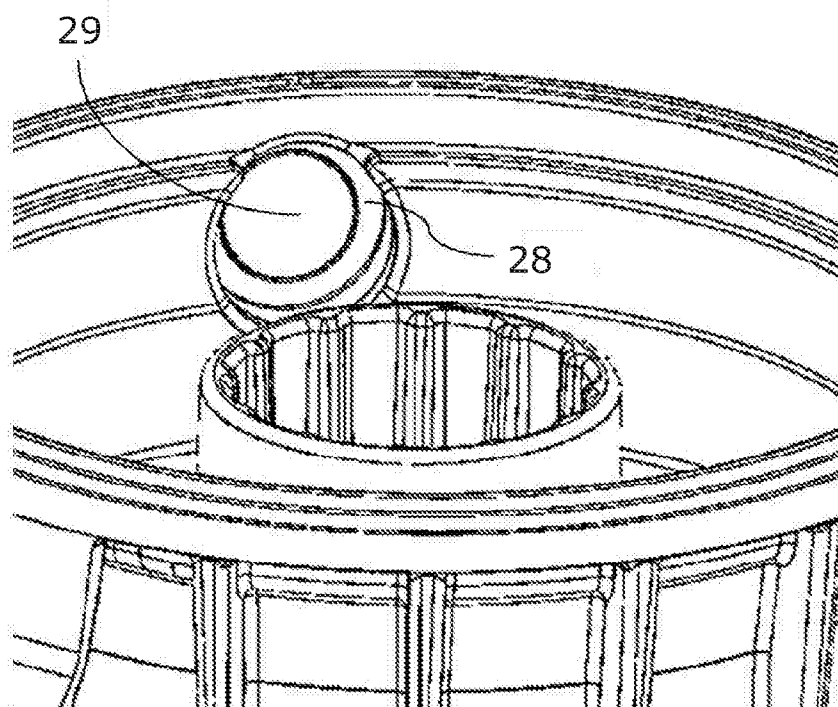


Figure 4f

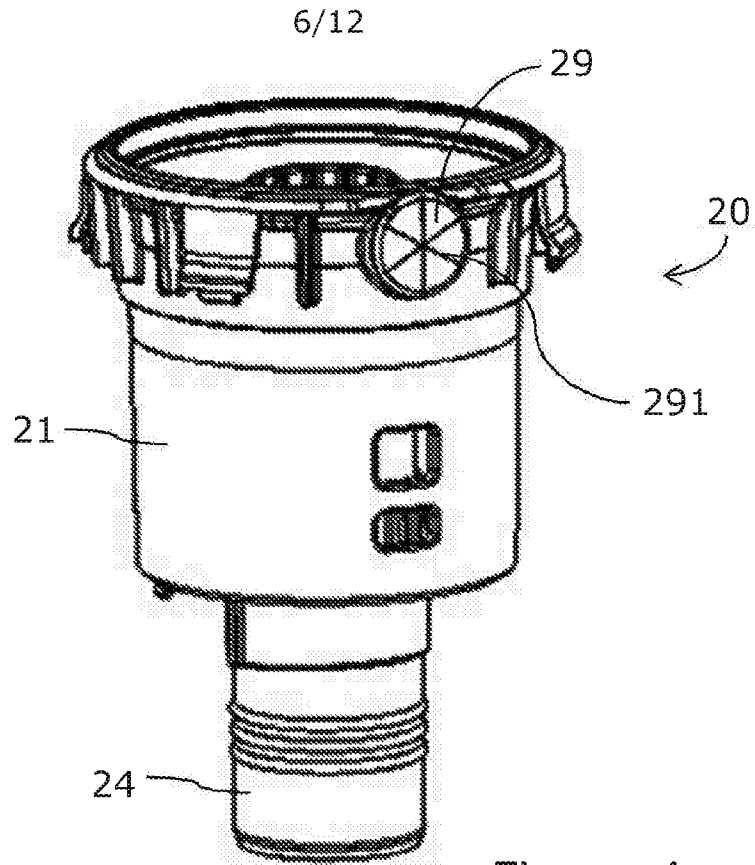


Figure 4g

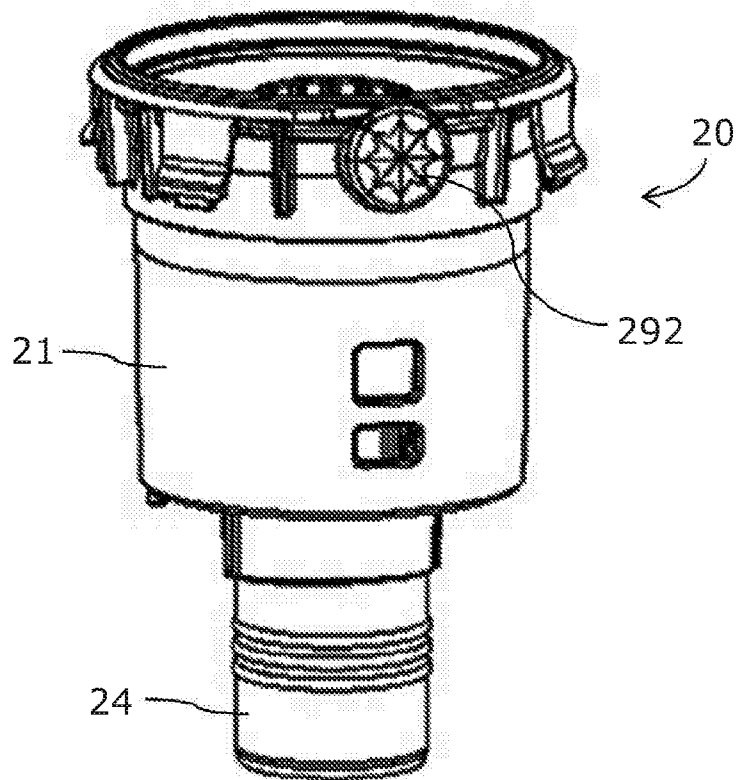


Figure 4h

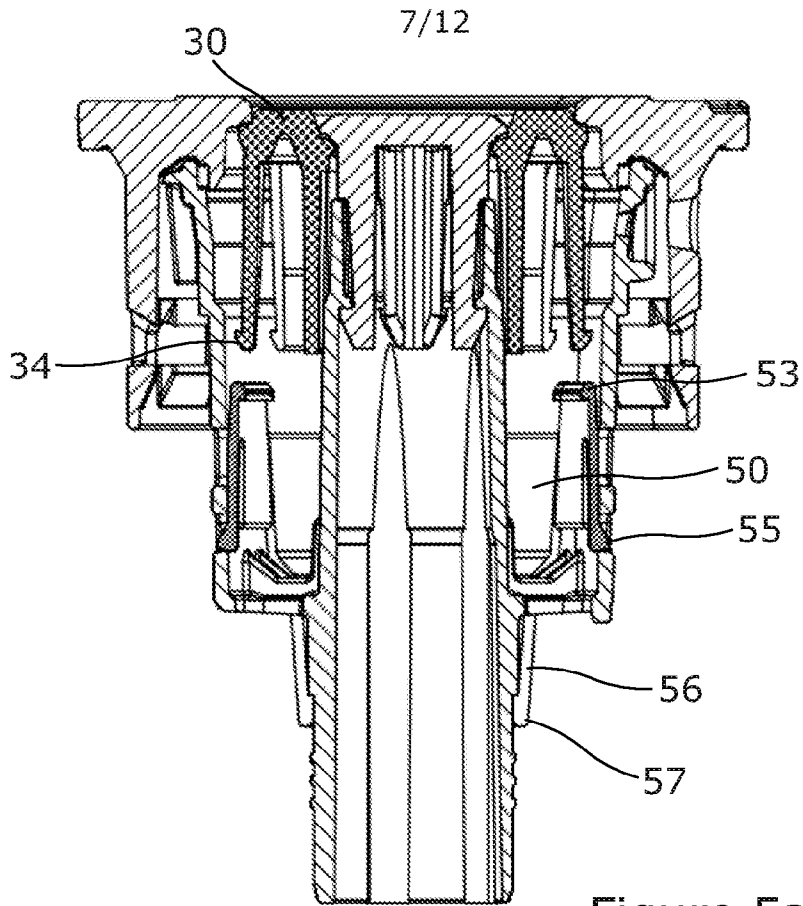


Figure 5a

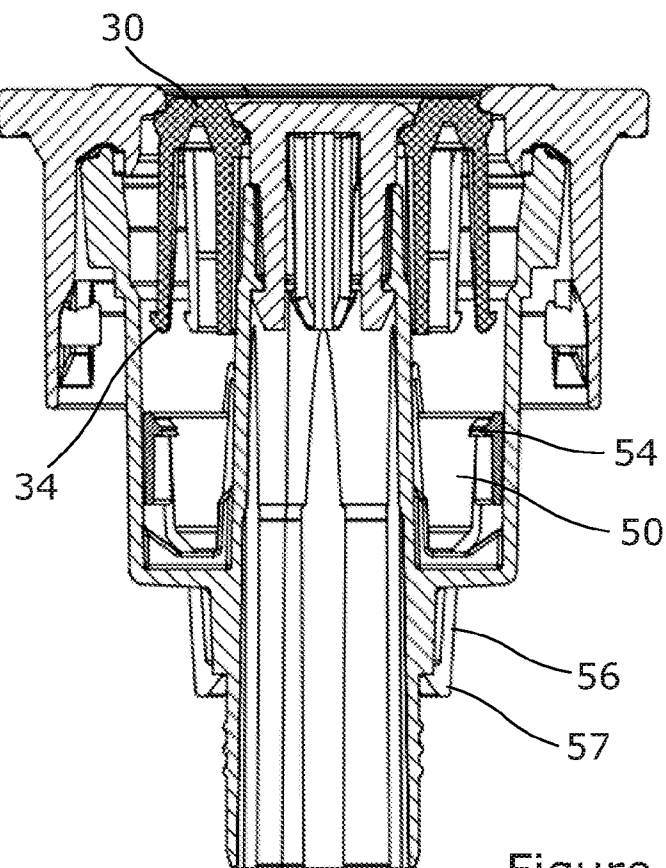


Figure 6a

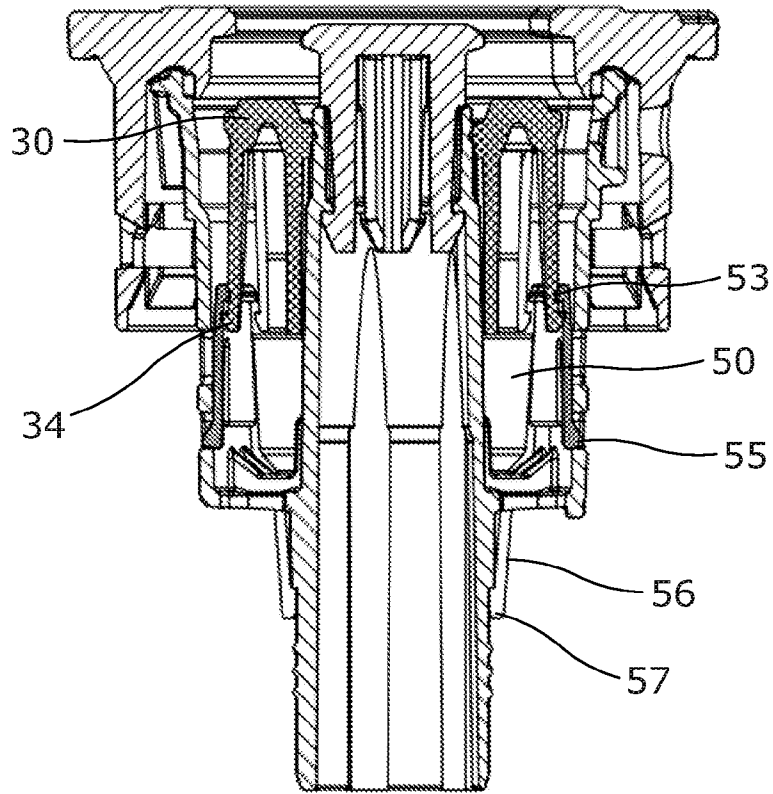


Figure 5b

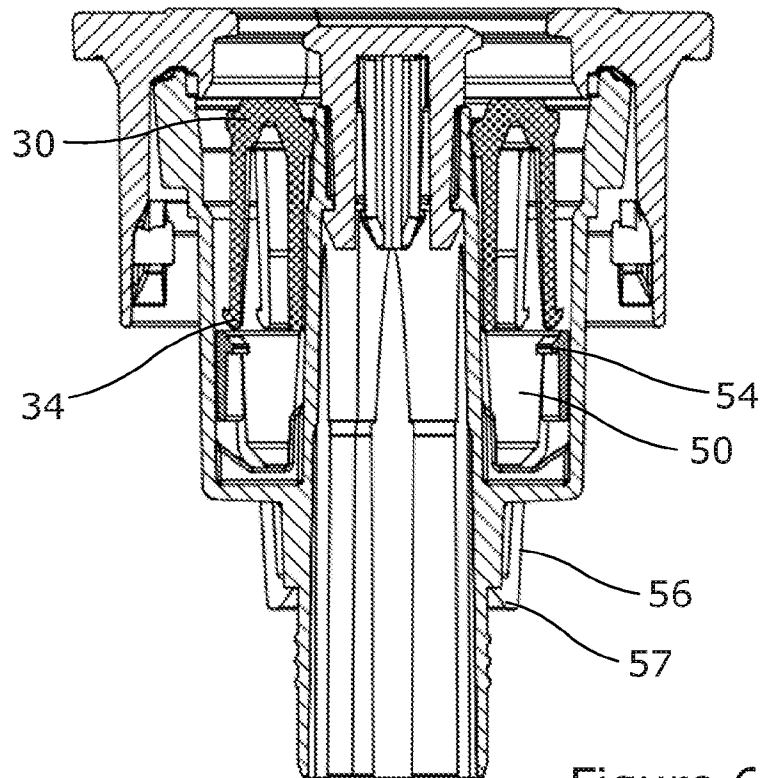


Figure 6b



9/12

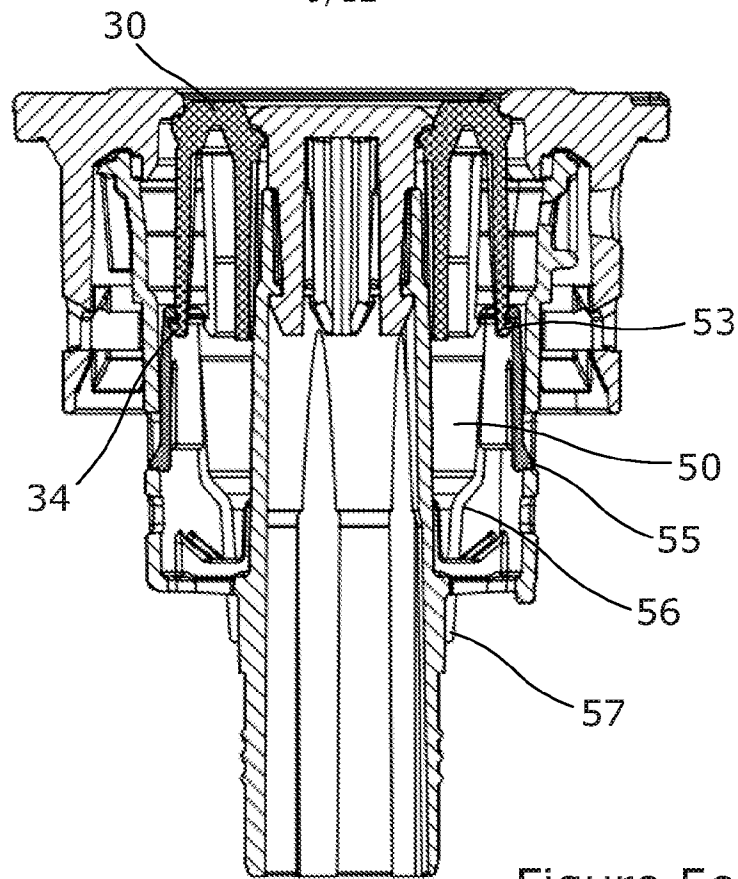


Figure 5c

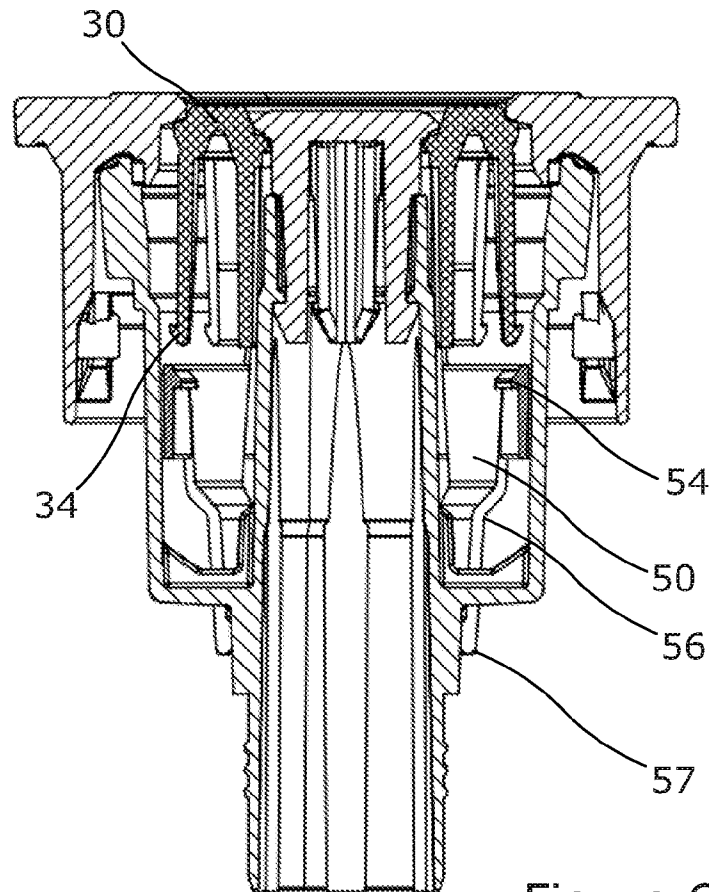


Figure 6c

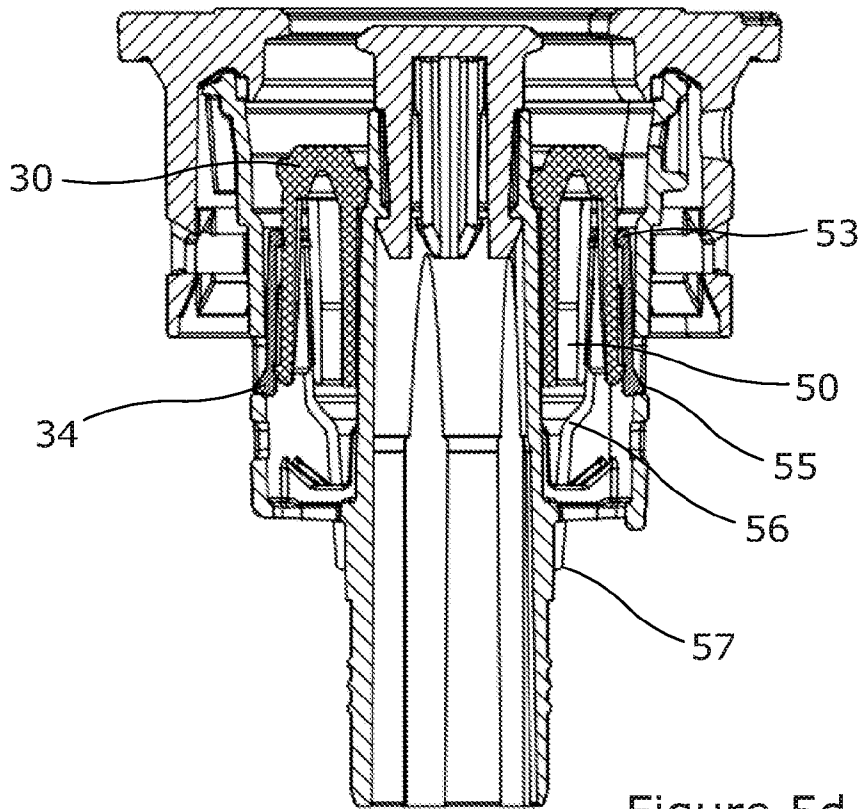


Figure 5d

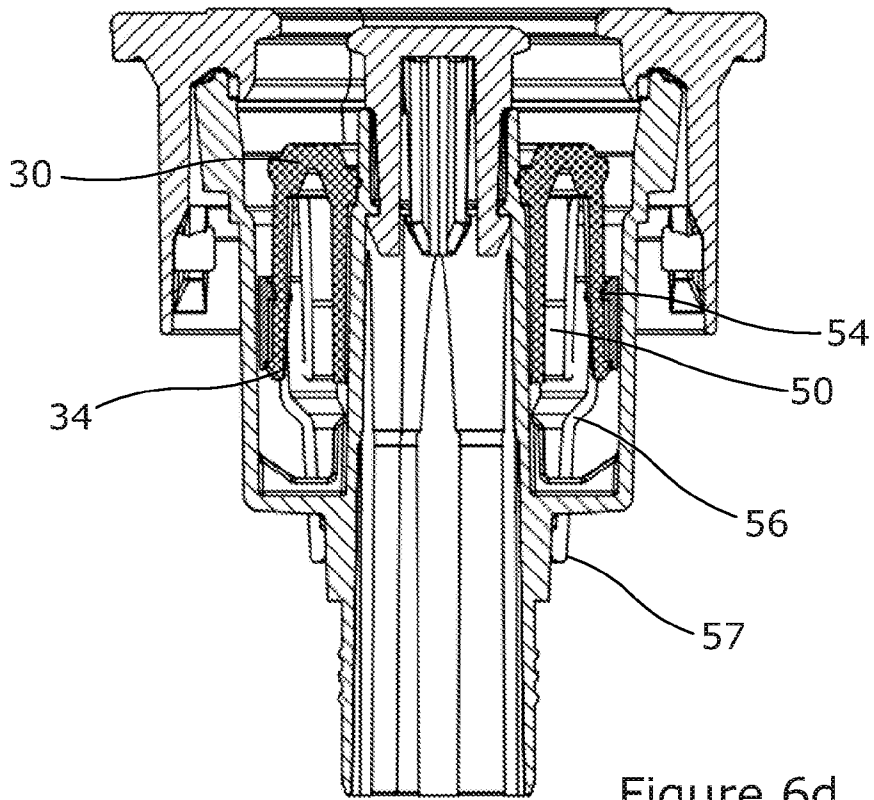


Figure 6d

11/12

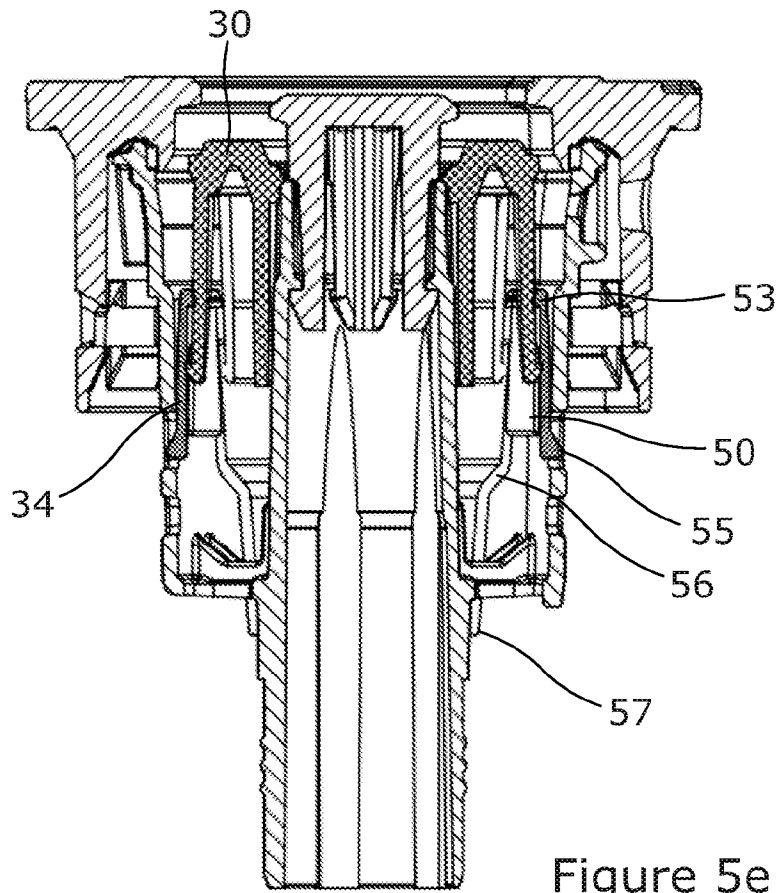


Figure 5e

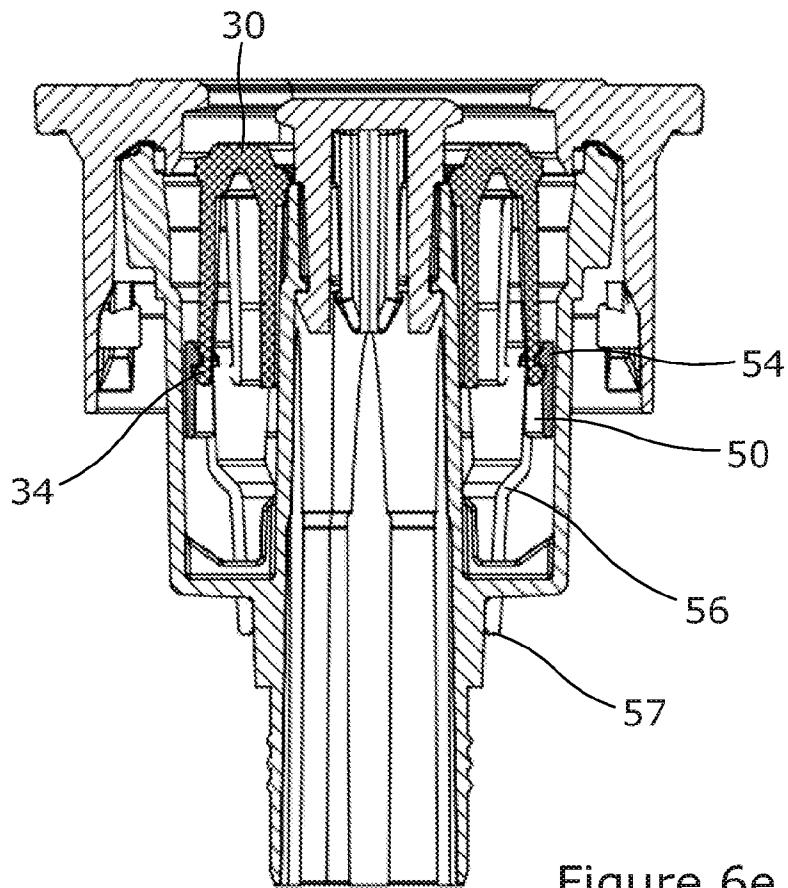


Figure 6e

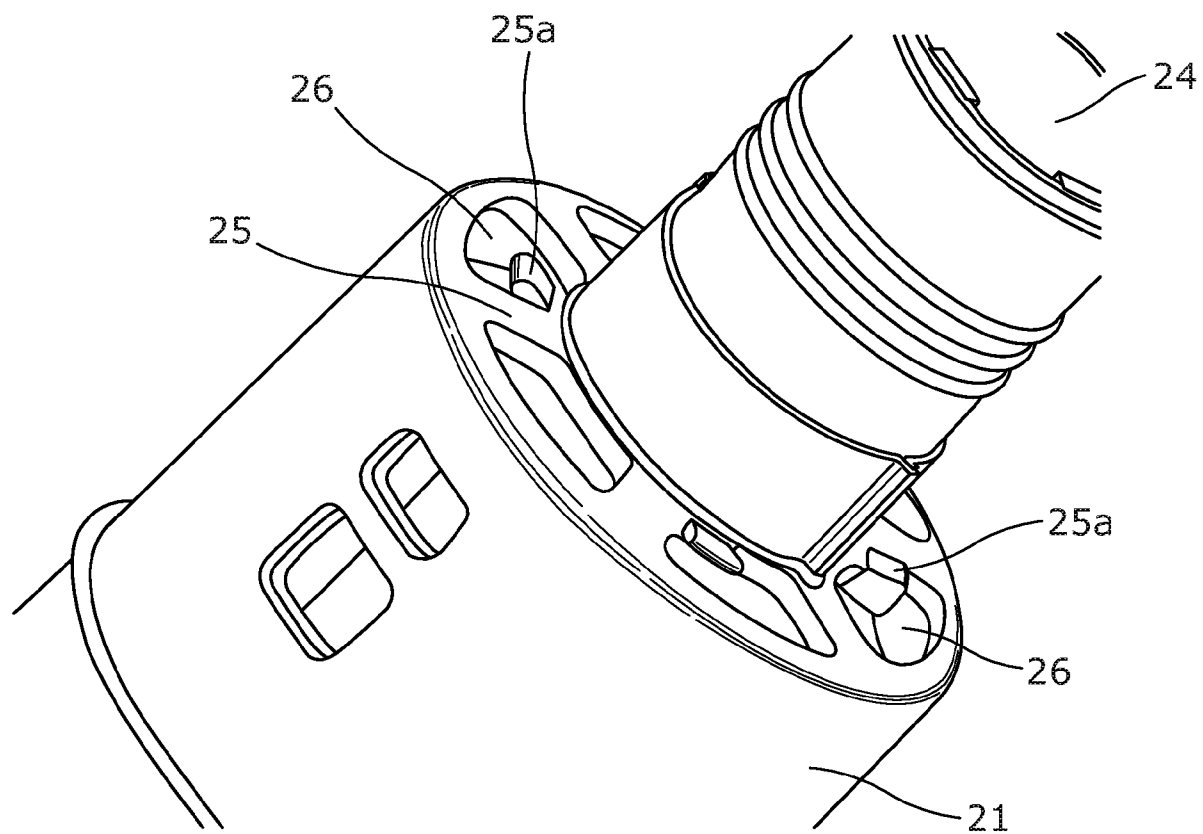


Figure 7