

Figure 3

3/12

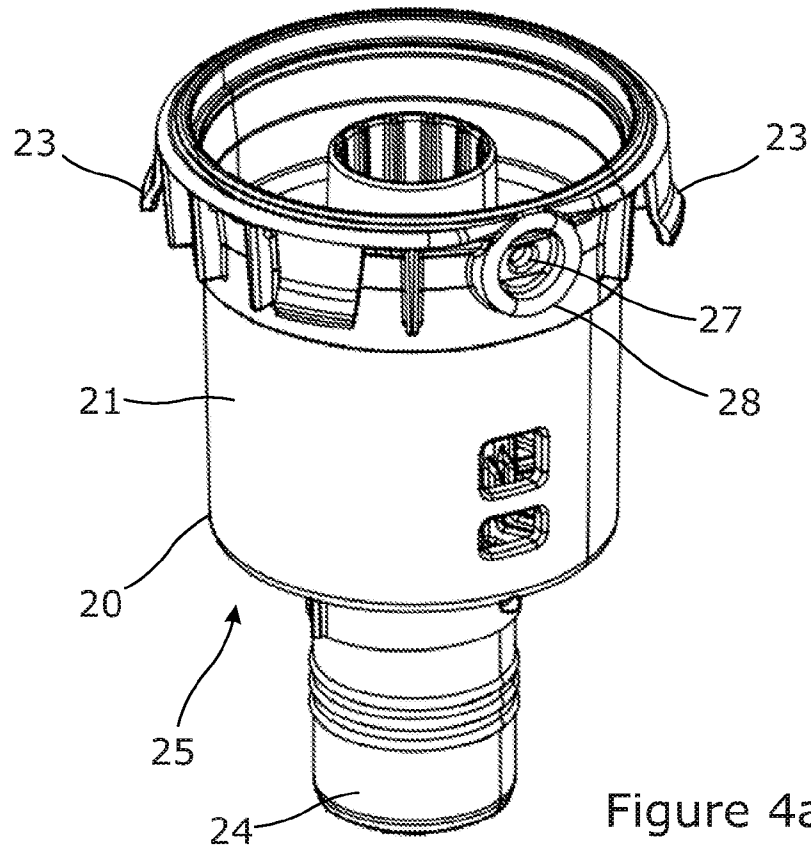


Figure 4a

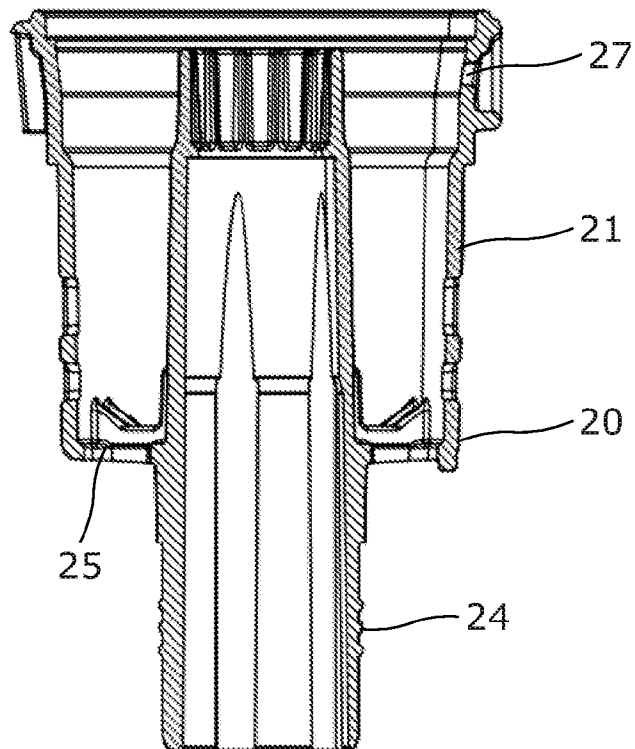


Figure 4b

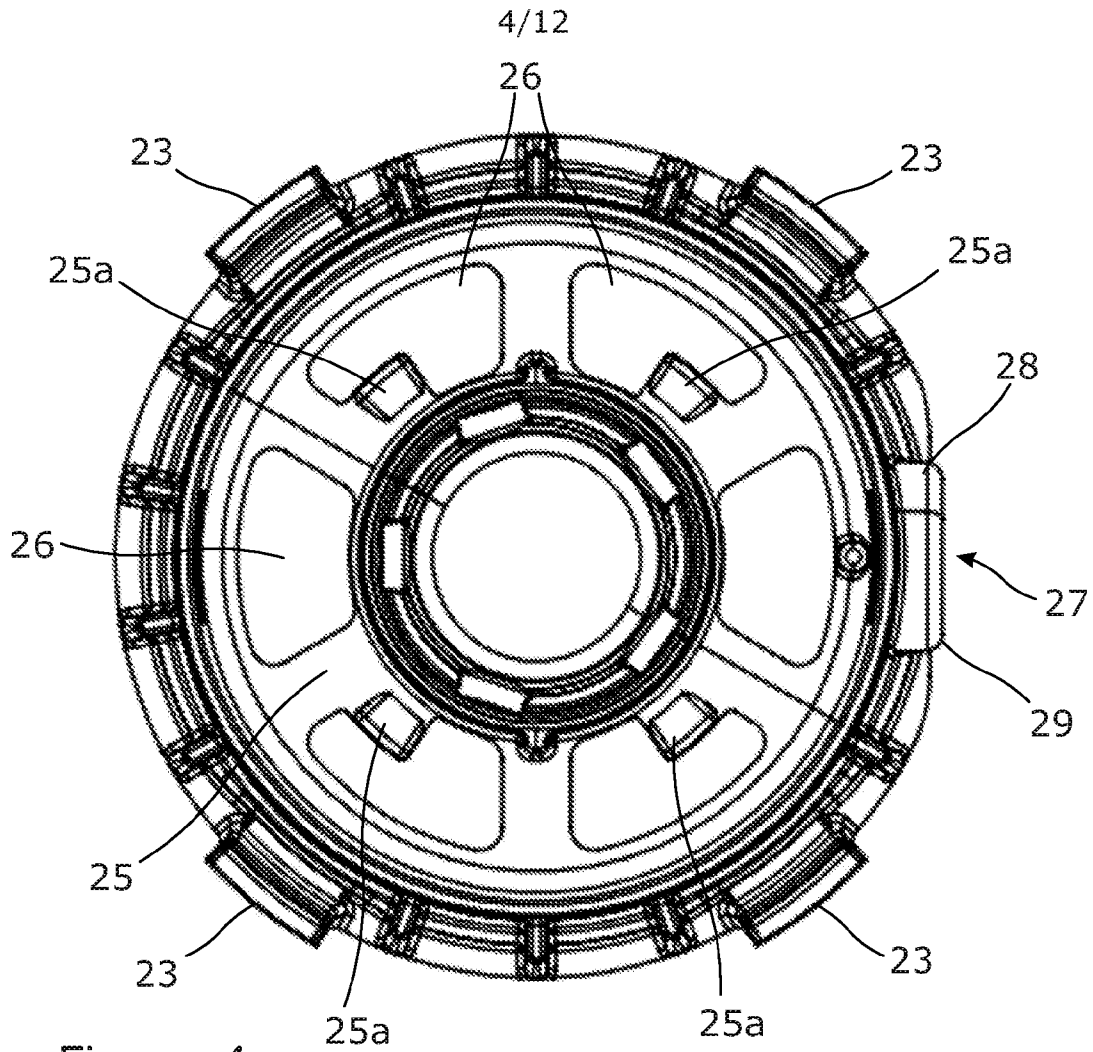


Figure 4c

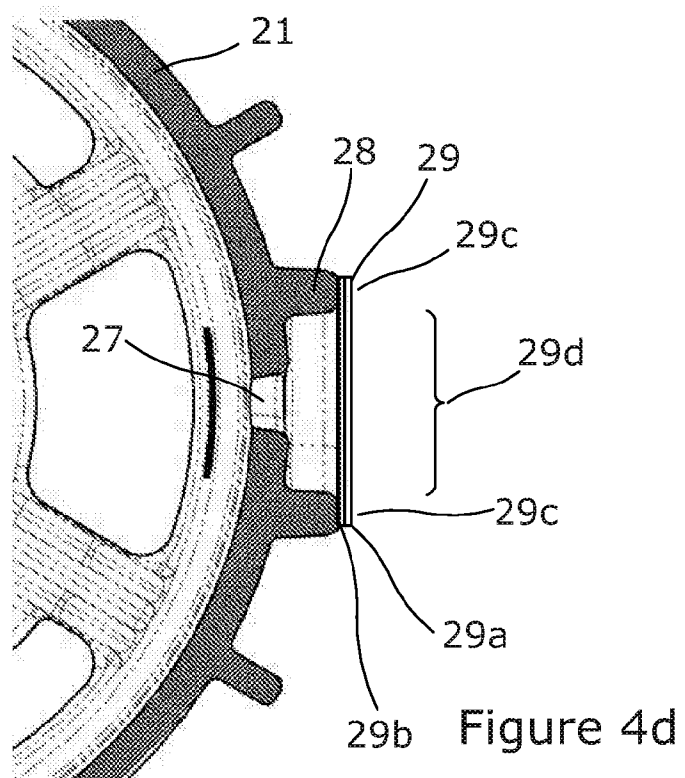


Figure 4d

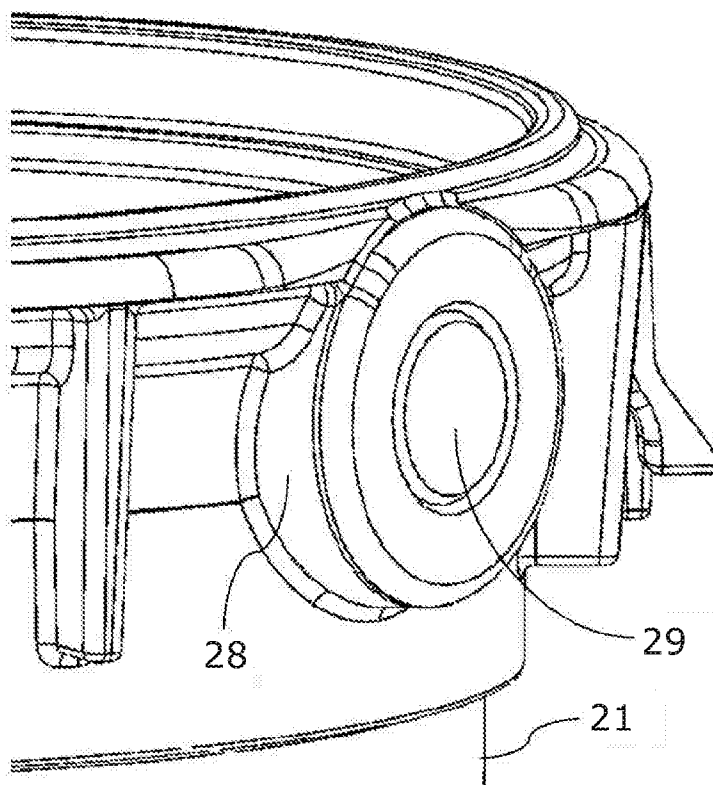


Figure 4e

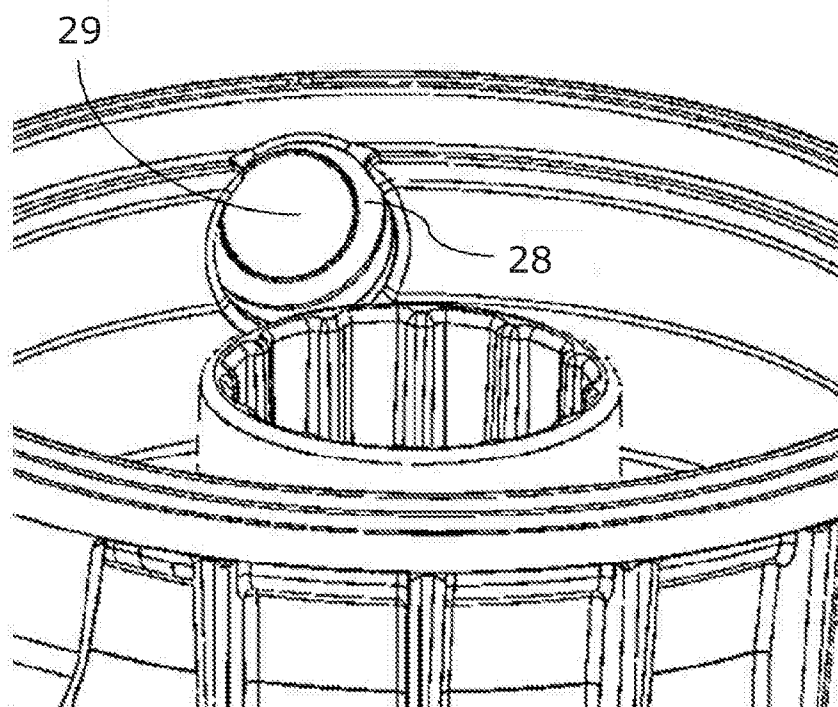


Figure 4f

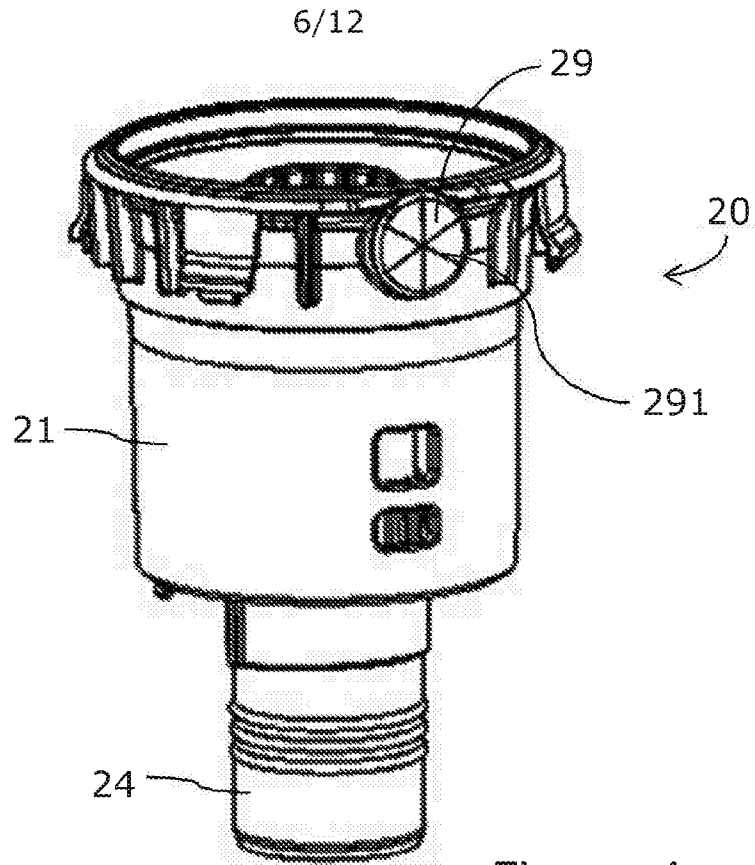


Figure 4g

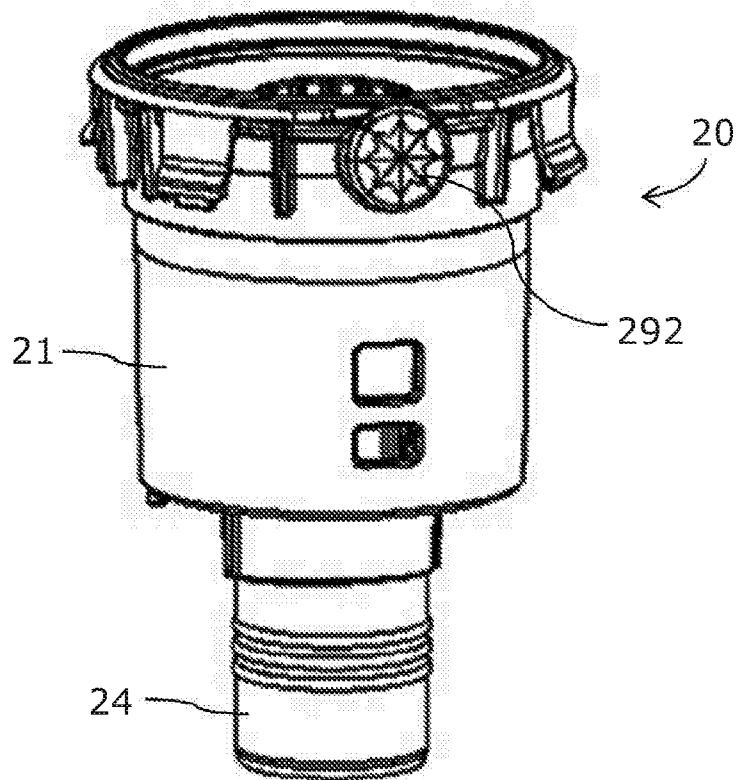


Figure 4h

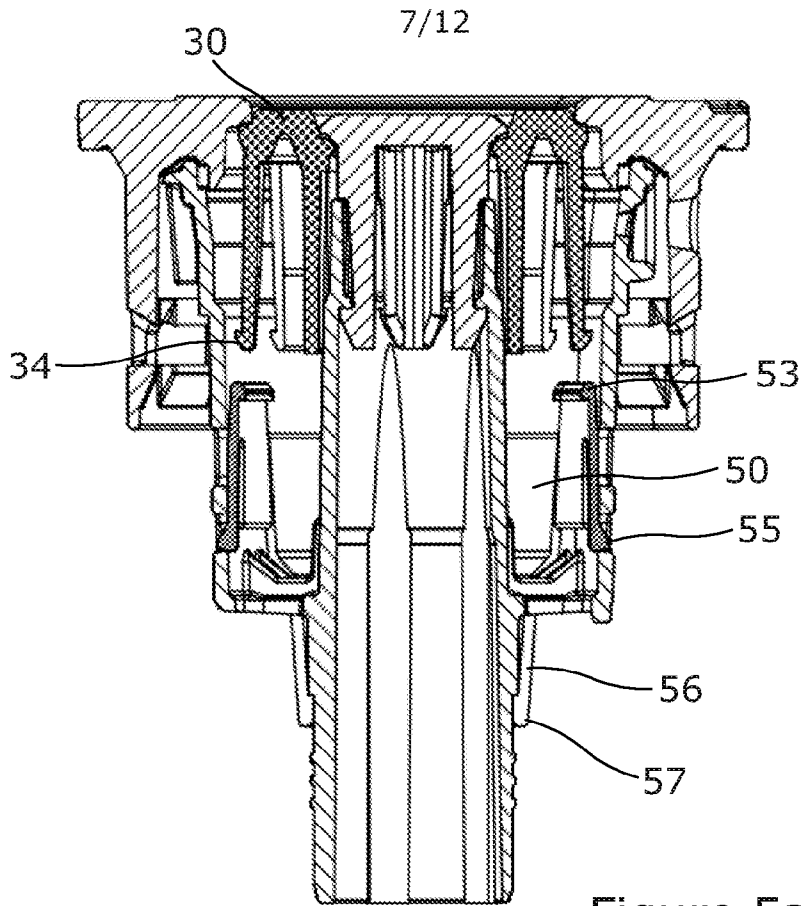


Figure 5a

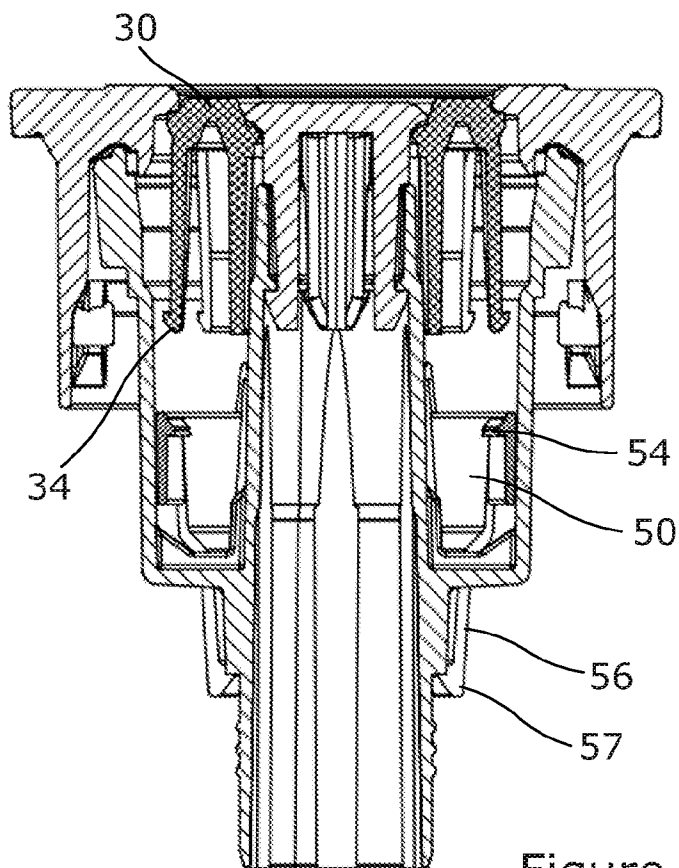


Figure 6a

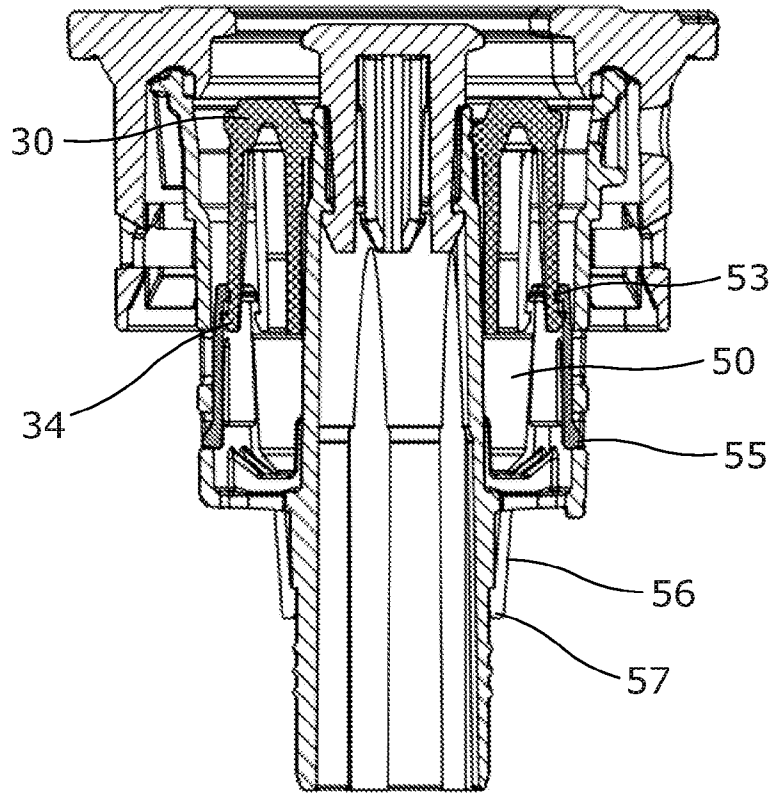


Figure 5b

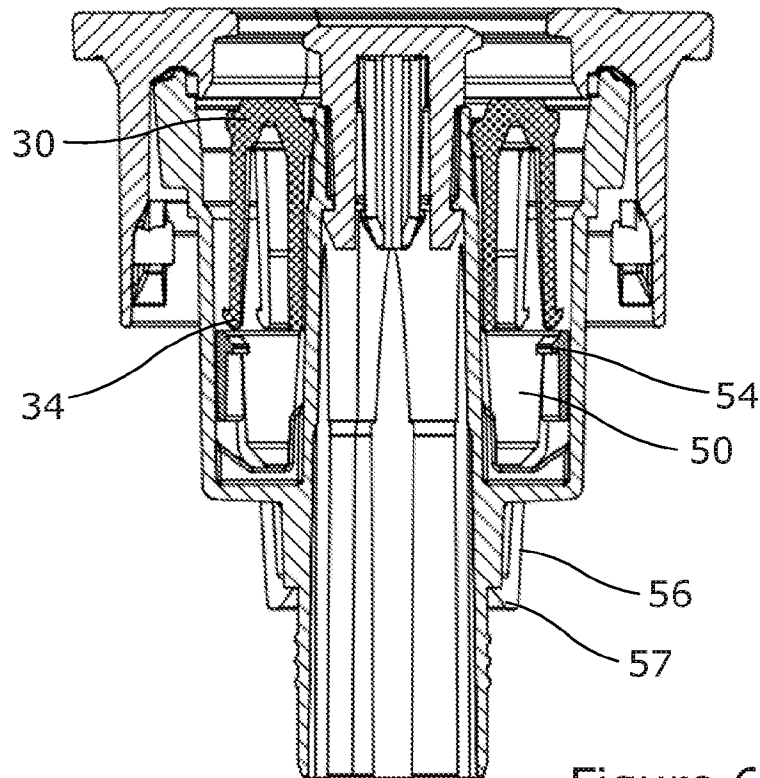


Figure 6b



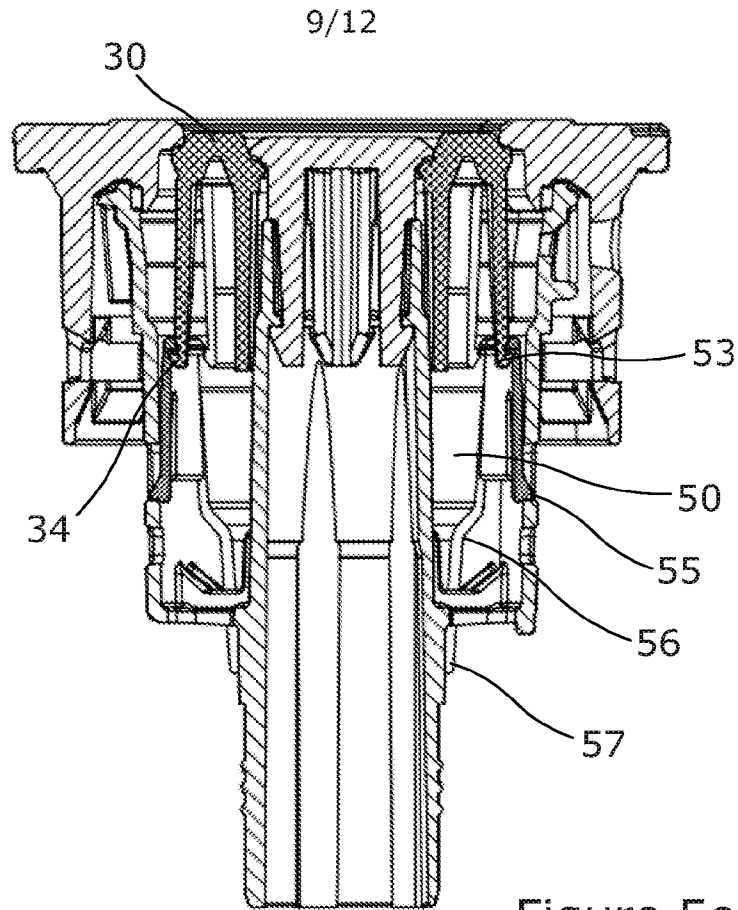


Figure 5c

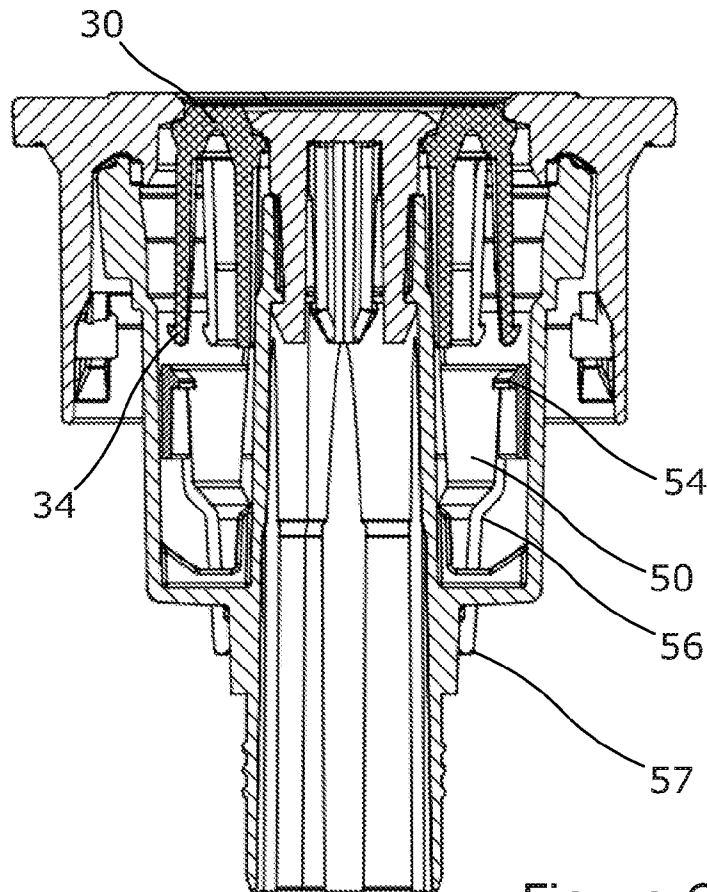


Figure 6c

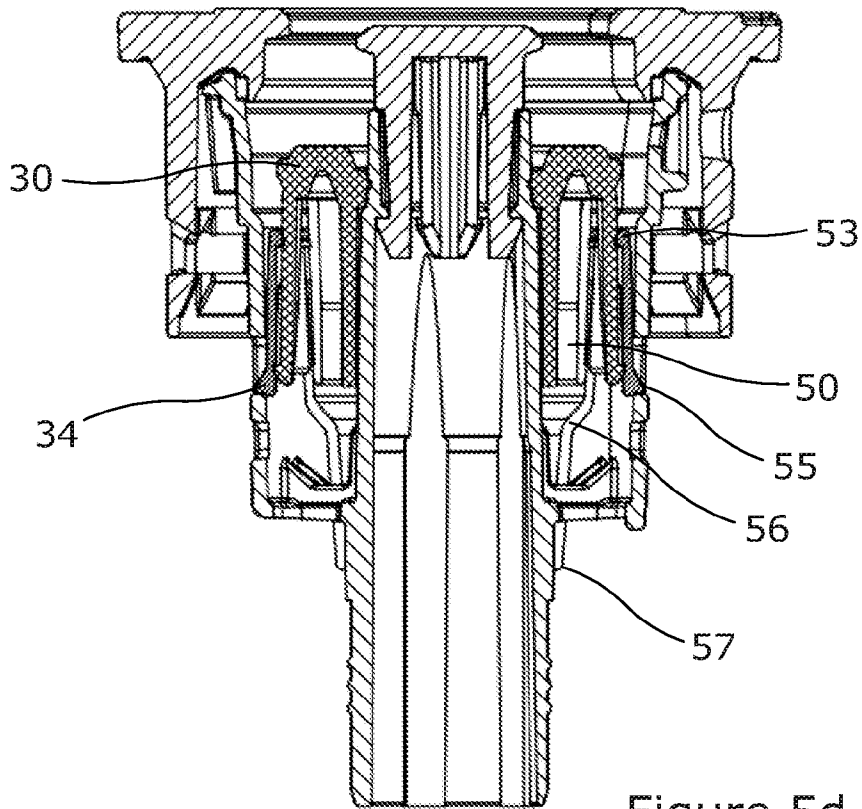


Figure 5d

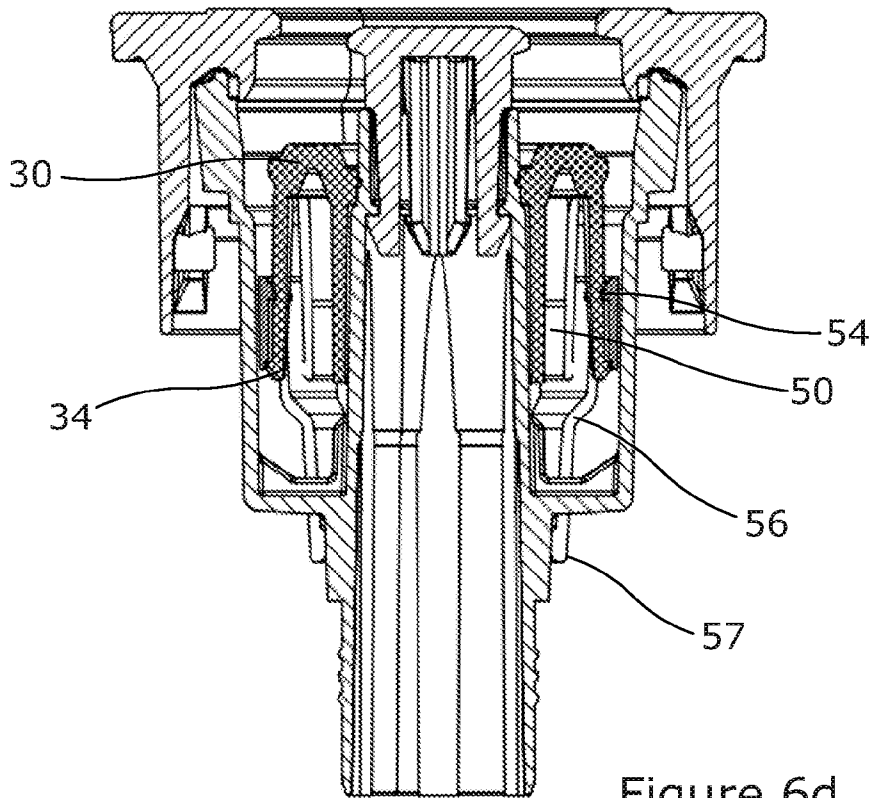


Figure 6d

11/12

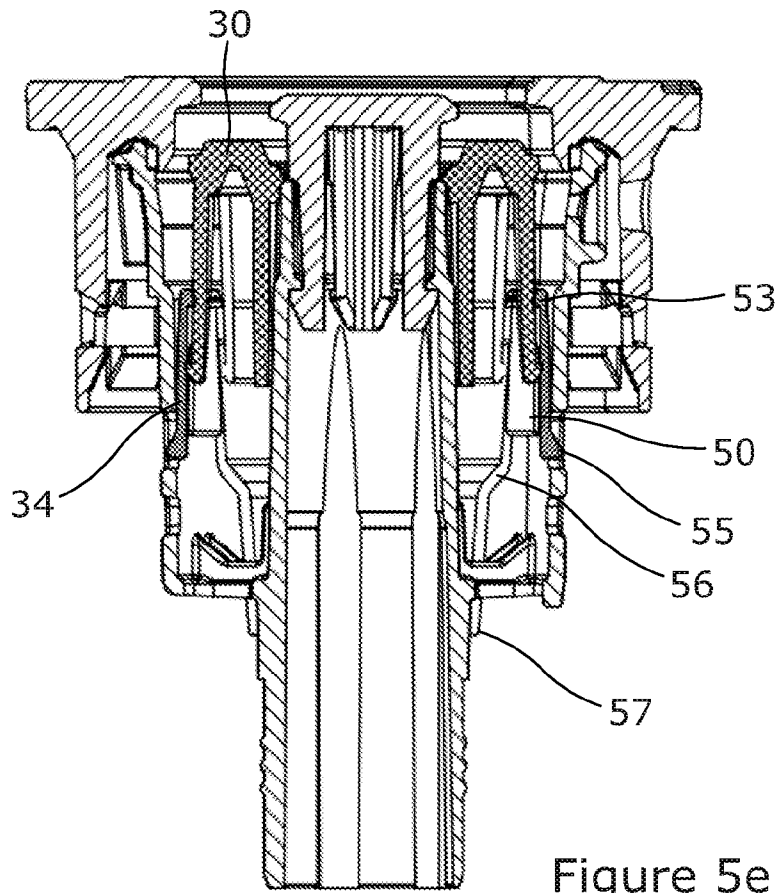


Figure 5e

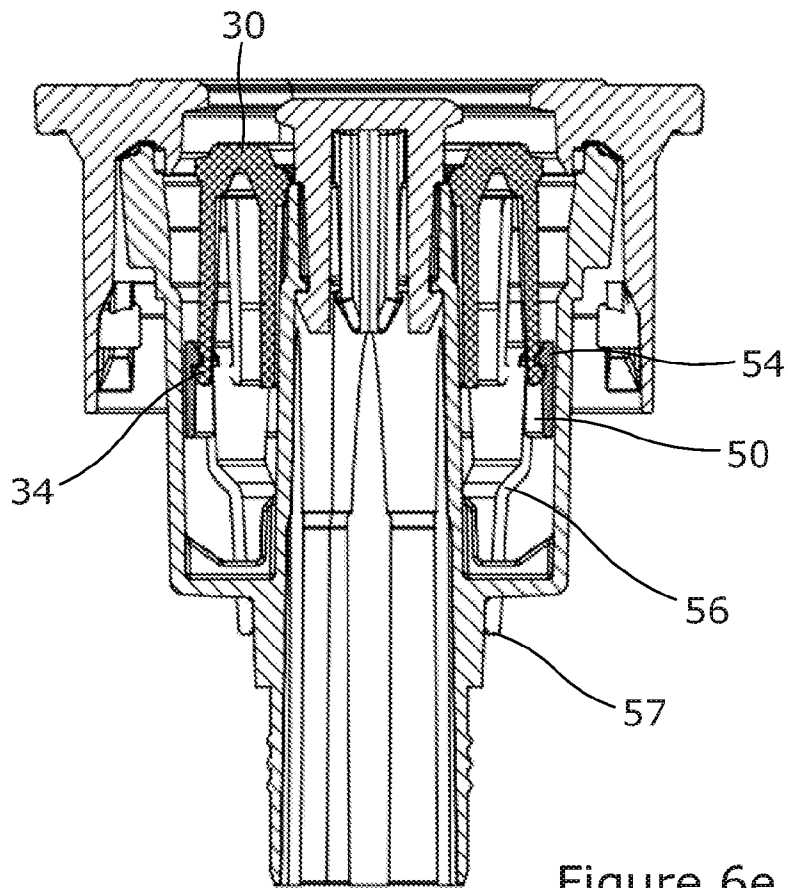


Figure 6e

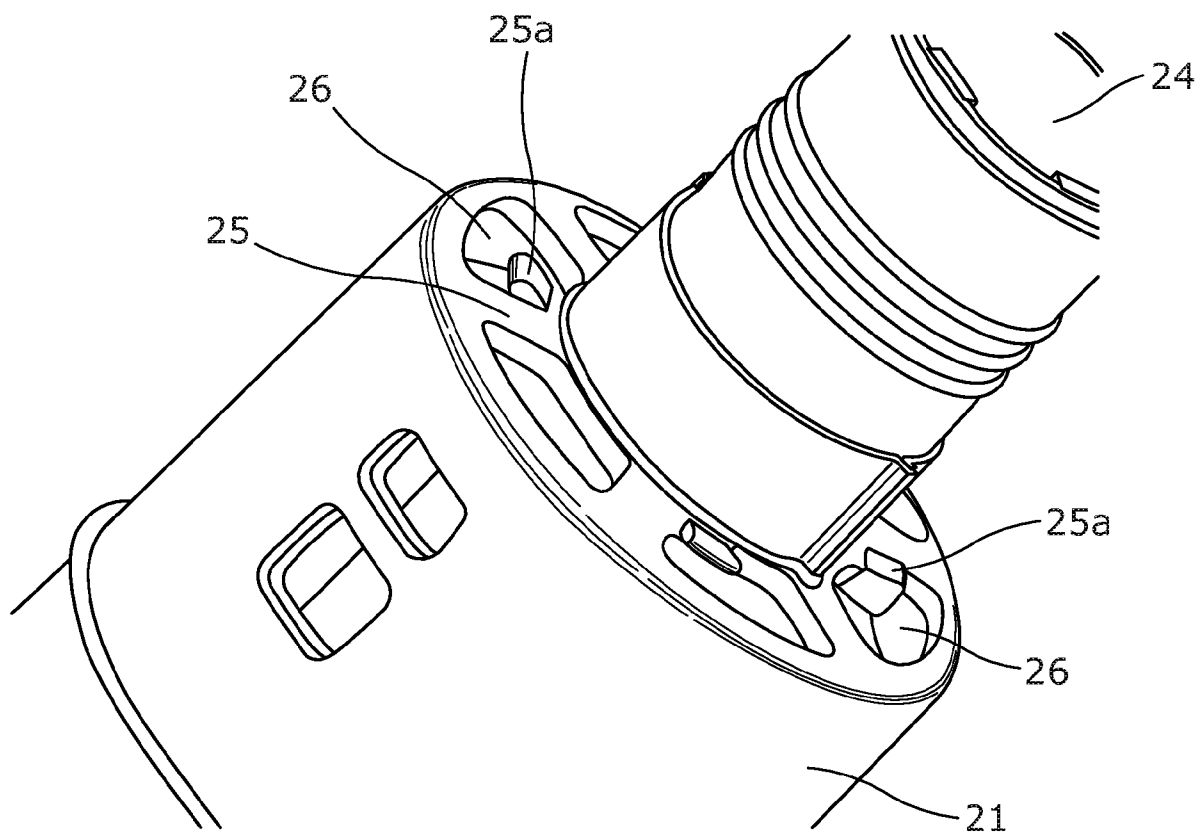


Figure 7