

IN THE UNITED STATES PATENT AND TRADEMARK OFFICE

First Named Inventor: Benjamin R. Rethmel  
International Serial No.: PCT/US2018/13758  
Filed: January 16, 2018  
For: MULTI-CHAMBERED WHEEL ASSEMBLY FOR RAPID TIRE  
INFLATION  
Group Art Unit: unknown  
Examiner: Nhu Thuy Tran  
Attorney's Docket No.: 017216WO1A  
Customer No.: 23456

**RESPONSE TO INVITATION TO CORRECT  
DEFECTS IN THE INTERNATIONAL APPLICATION**

VIA EFS-WEB  
Mail Stop Missing Parts  
Commissioner for Patents

Dear Sir:

This is in response to the Invitation to Correct Defects in the International Applications in the United States Designated/Elected Office mailed January 31, 2018.

Attached are the following material(s) for filing in the U.S. Patent Application identified above:

- Replacement Drawings
  - The replacement drawings have replaced the hand numbered informal drawings with clearly numbered formal drawings.

The Commissioner is authorized to charge any deficiency or credit any overpayment associated with the filing of this Response to Deposit Account 23-0035.

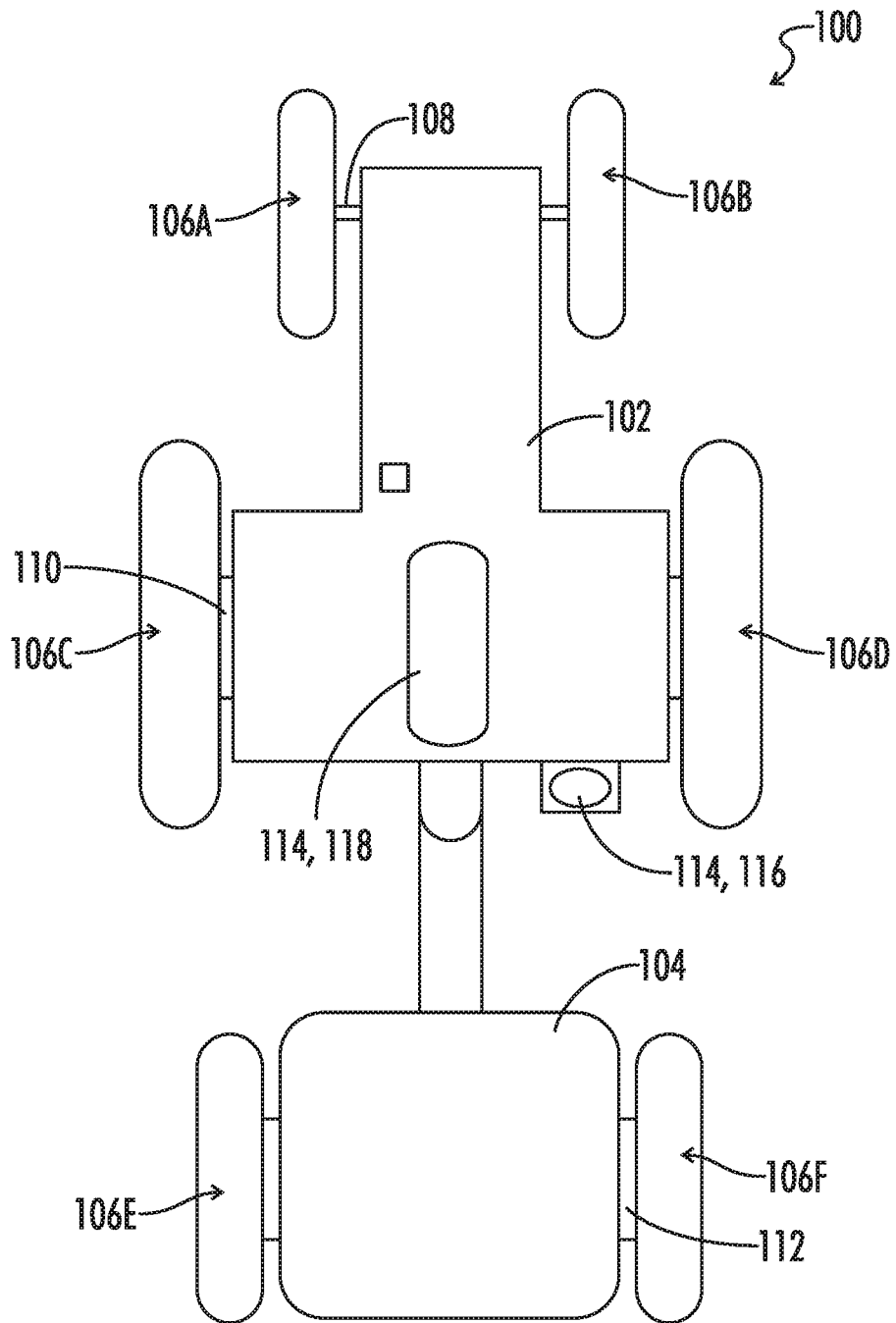
Respectfully submitted,

/Lucian Wayne Beavers, Reg. No. 28,183/  
Lucian Wayne Beavers  
Registration No. 28,183  
PATTERSON INTELLECTUAL PROPERTY LAW, PC  
Customer No. 23456

ATTORNEY FOR APPLICANT

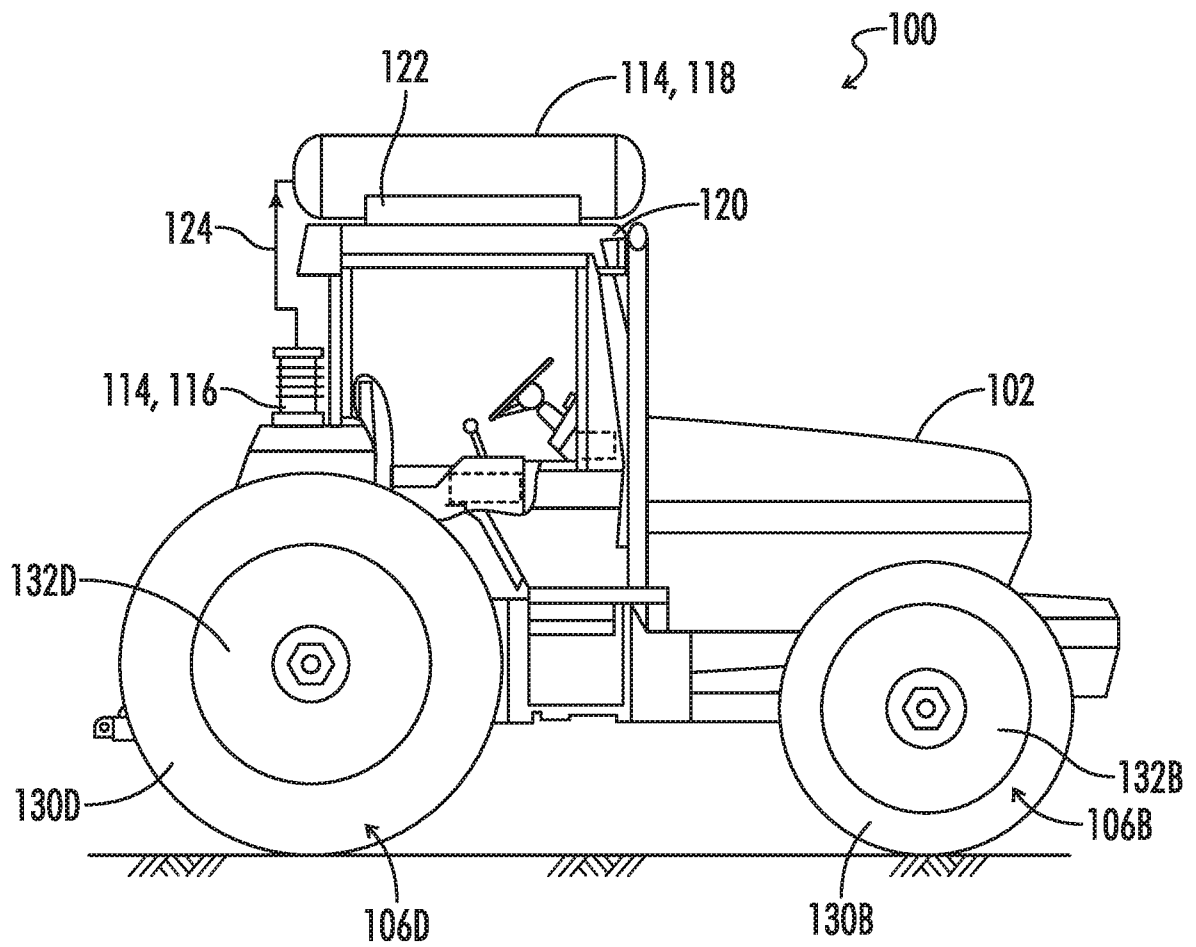
Lucian Wayne Beavers  
PATTERSON INTELLECTUAL PROPERTY LAW, PC  
Roundabout Plaza  
1600 Division Street, Suite 500  
Nashville, TN 37203  
615.242.2400

1/7

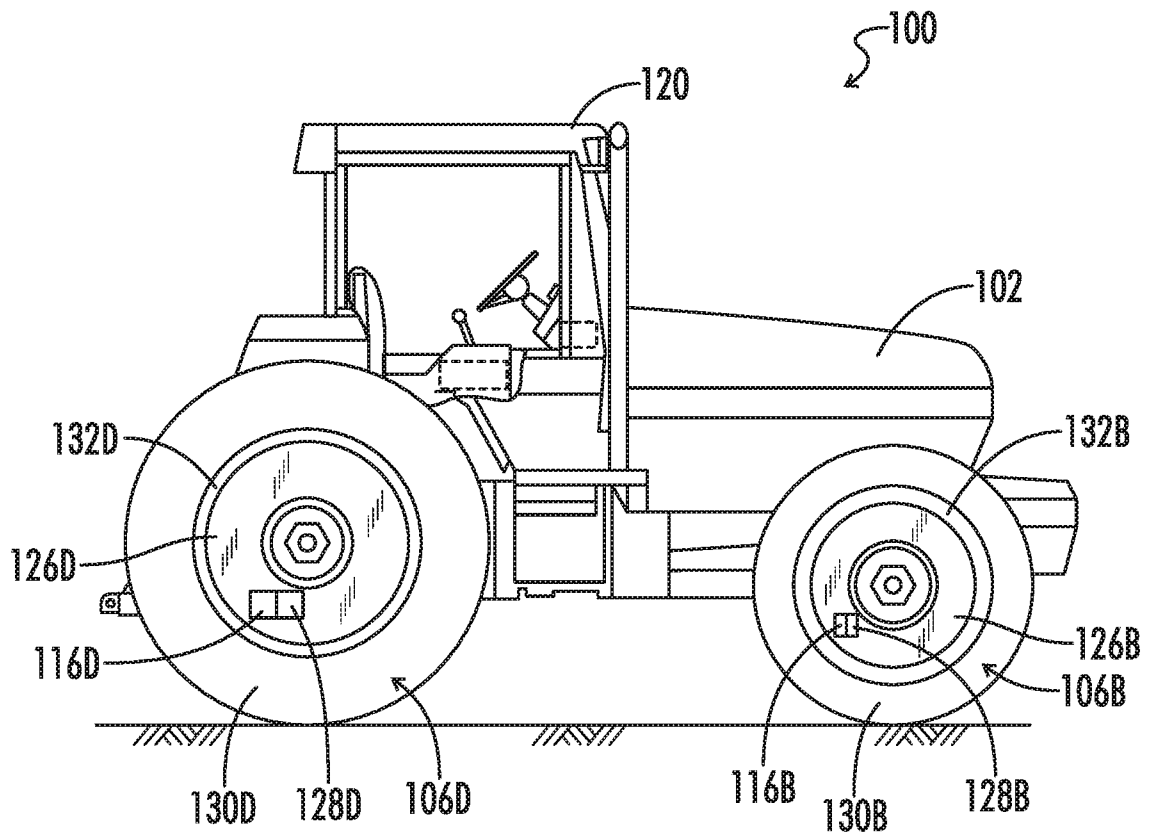


**FIG. 1**

2/7

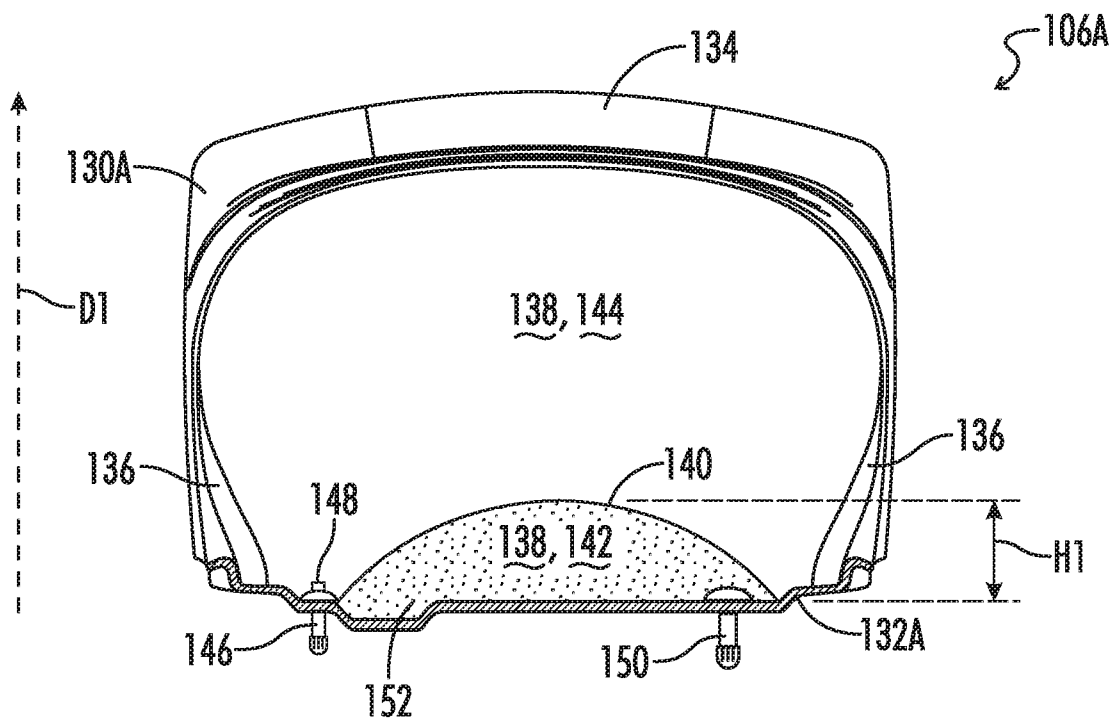


**FIG. 2**



*FIG. 3*

4/7



**FIG. 4**

5/7

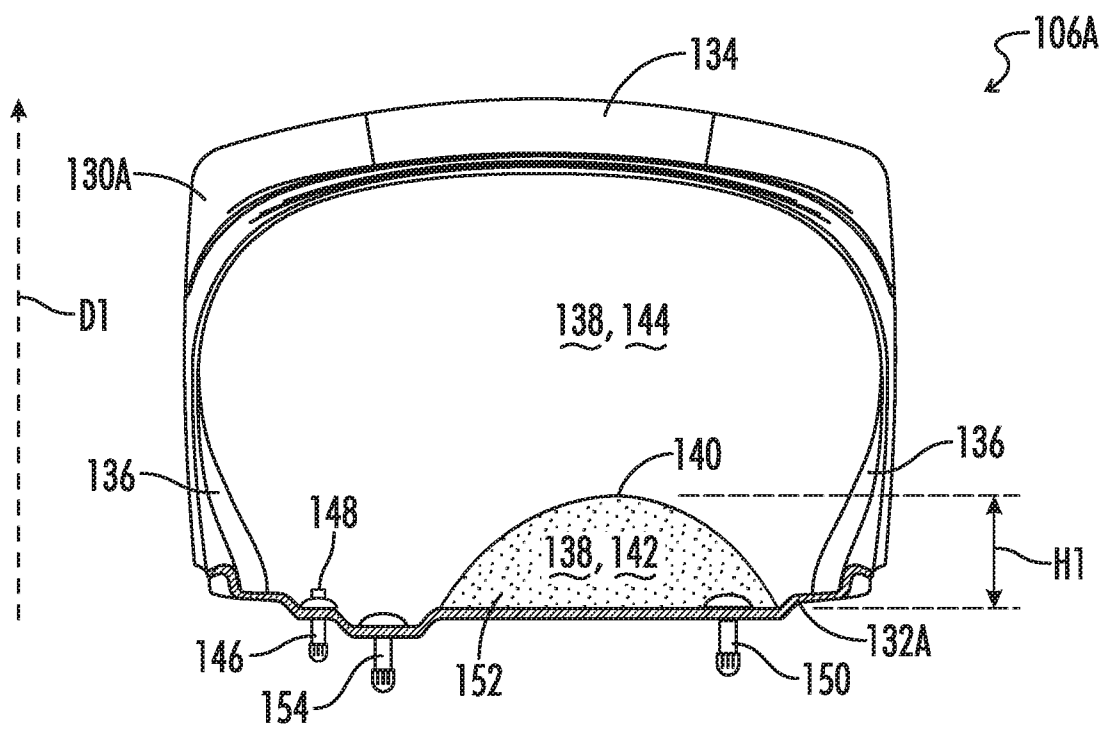


FIG. 5

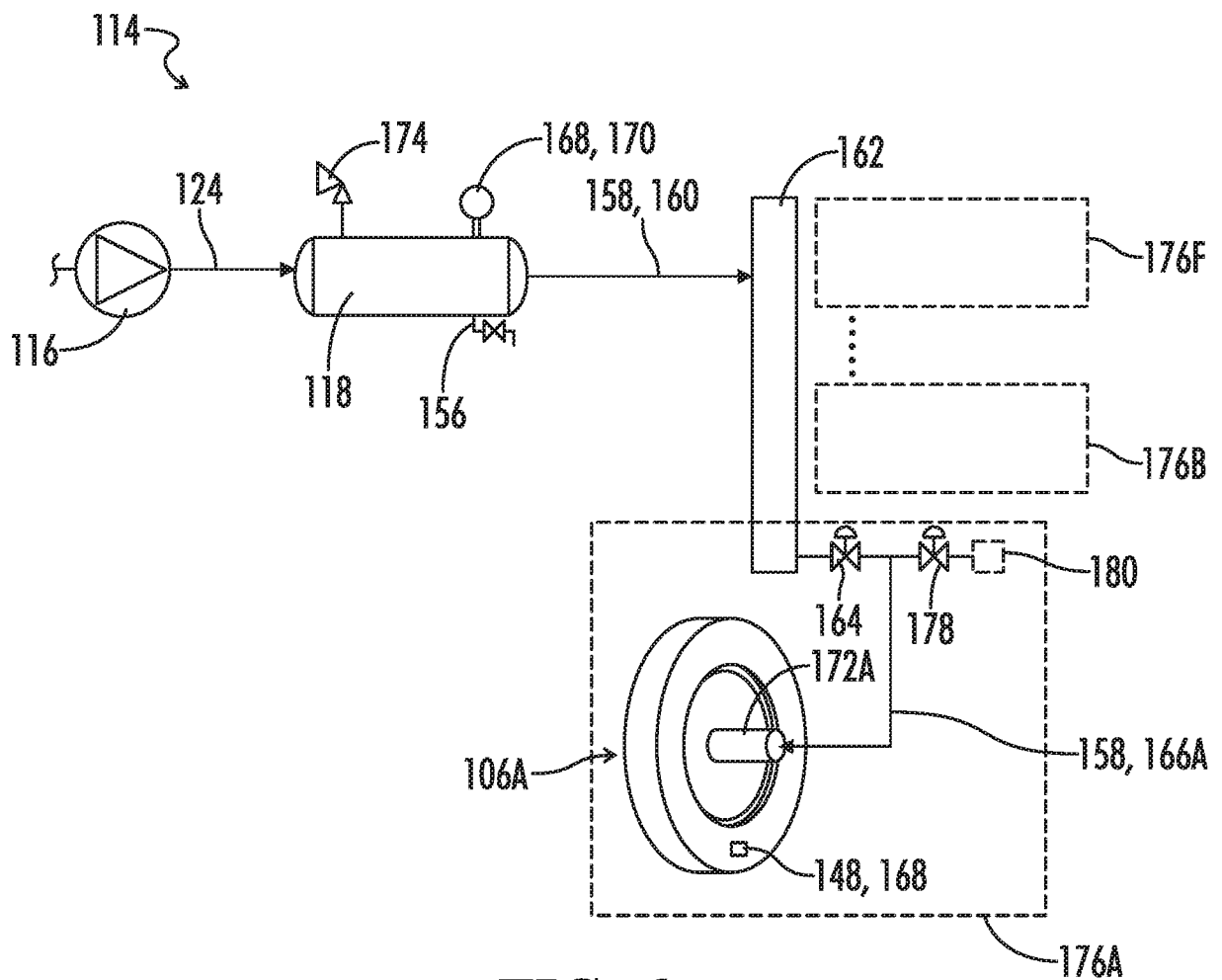


FIG. 6

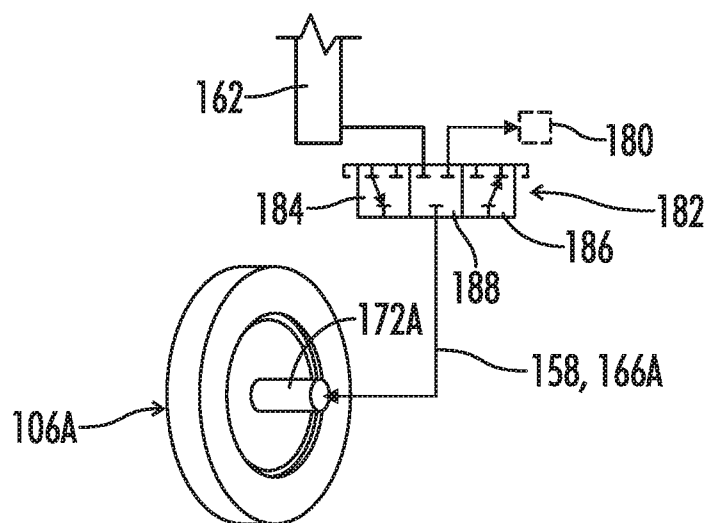


FIG. 7



7/7

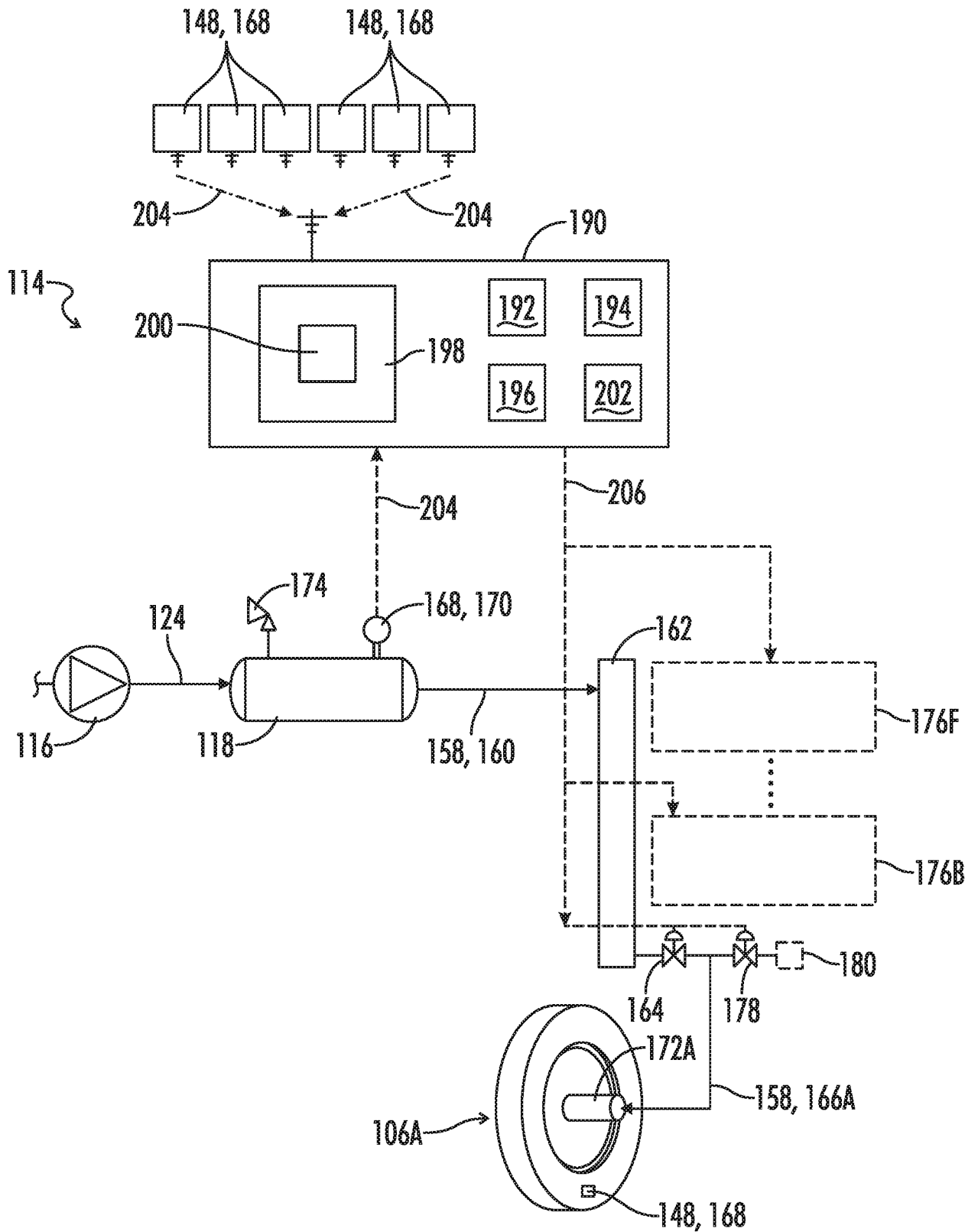


FIG. 8