



(51) International Patent Classification:

A63F 13/90 (2014.01) H04N 5/64 (2006.01)  
A63F 13/5255 (2014.01) A63F 13/211 (2014.01)  
G06F 1/16 (2006.01)

(21) International Application Number:

PCT/HU2018/000002

(22) International Filing Date:

26 January 2018 (26.01.2018)

(25) Filing Language:

English

(26) Publication Language:

English

(30) Priority Data:

P1700041 26 January 2017 (26.01.2017) HU

(72) Inventor; and

(71) Applicant: HOFFMANN, Dániel [HU/HU]; Mátyás u.  
20., I. em.3, 1093 Budapest (HU).

(74) Agent: MÁK, András; SBGK Patent Attorneys, Andrásy  
út 113, 1062 Budapest (HU).

(81) Designated States (unless otherwise indicated, for every

kind of national protection available): AE, AG, AL, AM, AO, AT, AU, AZ, BA, BB, BG, BH, BN, BR, BW, BY, BZ, CA, CH, CL, CN, CO, CR, CU, CZ, DE, DJ, DK, DM, DO, DZ, EC, EE, EG, ES, FI, GB, GD, GE, GH, GM, GT, HN, HR, HU, ID, IL, IN, IR, IS, JO, JP, KE, KG, KH, KN, KP, KR, KW, KZ, LA, LC, LK, LR, LS, LU, LY, MA, MD, ME, MG, MK, MN, MW, MX, MY, MZ, NA, NG, NI, NO, NZ, OM, PA, PE, PG, PH, PL, PT, QA, RO, RS, RU, RW, SA, SC, SD, SE, SG, SK, SL, SM, ST, SV, SY, TH, TJ, TM, TN, TR, TT, TZ, UA, UG, US, UZ, VC, VN, ZA, ZM, ZW.

(84) Designated States (unless otherwise indicated, for every

kind of regional protection available): ARIPO (BW, GH, GM, KE, LR, LS, MW, MZ, NA, RW, SD, SL, ST, SZ, TZ, UG, ZM, ZW), Eurasian (AM, AZ, BY, KG, KZ, RU, TJ, TM), European (AL, AT, BE, BG, CH, CY, CZ, DE, DK, EE, ES, FI, FR, GB, GR, HR, HU, IE, IS, IT, LT, LU, LV, MC, MK, MT, NL, NO, PL, PT, RO, RS, SE, SI, SK, SM, TR), OAPI (BF, BJ, CF, CG, CI, CM, GA, GN, GQ, GW, KM, ML, MR, NE, SN, TD, TG).

(54) Title: METHOD AND APPARATUS TO ENHANCE MULTIMEDIA EXPERIENCE

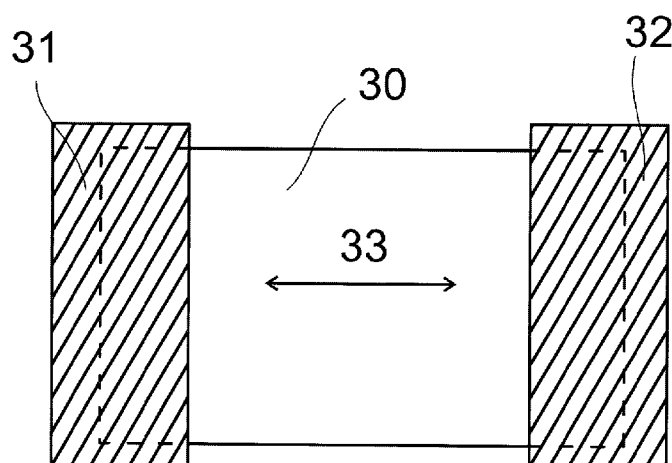


FIG. 3

(57) Abstract: The invention refers to a method for enhancing multimedia experience, during which at least one multimedia content is stored in a storage medium, a selected content of the stored multimedia contents is presented on a display (30), and during presentation displaying is influenced based on user input, where the influence affects positioning of the displayed multimedia content on the display (30). During the method according to the invention, multimedia content is displayed on a wide screen display (30) that is masked with a narrowing mask (31, 32), while moving the display (30) or displayed content along a coordinate from two possible directions by user input in one or the other direction. The invention further provides an apparatus for carrying out the process according to the invention.



**Published:**

- *with international search report (Art. 21(3))*
- *before the expiration of the time limit for amending the claims and to be republished in the event of receipt of amendments (Rule 48.2(h))*

**(88) Date of publication of the international search report:**

08 November 2018 (08.11.2018)

INTERNATIONAL SEARCH REPORT

International application No  
PCT/HU2018/000002

A. CLASSIFICATION OF SUBJECT MATTER  
INV. A63F13/90 A63F13/5255 G06F1/16 H04N5/64 A63F13/211  
ADD.  
According to International Patent Classification (IPC) or to both national classification and IPC

B. FIELDS SEARCHED  
Minimum documentation searched (classification system followed by classification symbols)  
A63F G06F H04N

Documentation searched other than minimum documentation to the extent that such documents are included in the fields searched

Electronic data base consulted during the international search (name of data base and, where practicable, search terms used)  
EPO-Internal, WPI Data

C. DOCUMENTS CONSIDERED TO BE RELEVANT

Category*	Citation of document, with indication, where appropriate, of the relevant passages	Relevant to claim No.
X	Anonymous: "[Solved] 4:3 Resolution on Widescreen Help", 30 September 2016 (2016-09-30), XP055469680, Retrieved from the Internet: URL:https://www.supermariobrosx.org/forums/viewtopic.php?t=16754 [retrieved on 2018-04-23] the whole document	1,2,13, 14
A	WO 2009/152054 A1 (PEERLESS IND INC [US]; GRABANIA BOGDAN [PL]; SIENKIEL KAMIL [PL]) 17 December 2009 (2009-12-17) paragraph [0002] paragraph [0007] - paragraph [0008] figure 1	3-8, 15-20

Further documents are listed in the continuation of Box C.  See patent family annex.

\* Special categories of cited documents :

"A" document defining the general state of the art which is not considered to be of particular relevance	"T" later document published after the international filing date or priority date and not in conflict with the application but cited to understand the principle or theory underlying the invention
"E" earlier application or patent but published on or after the international filing date	"X" document of particular relevance; the claimed invention cannot be considered novel or cannot be considered to involve an inventive step when the document is taken alone
"L" document which may throw doubts on priority claim(s) or which is cited to establish the publication date of another citation or other special reason (as specified)	"Y" document of particular relevance; the claimed invention cannot be considered to involve an inventive step when the document is combined with one or more other such documents, such combination being obvious to a person skilled in the art
"O" document referring to an oral disclosure, use, exhibition or other means	"&" document member of the same patent family
"P" document published prior to the international filing date but later than the priority date claimed	

Date of the actual completion of the international search 25 April 2018	Date of mailing of the international search report 09/10/2018
--	--

Name and mailing address of the ISA/ European Patent Office, P.B. 5818 Patentlaan 2 NL - 2280 HV Rijswijk Tel. (+31-70) 340-2040, Fax: (+31-70) 340-3016	Authorized officer Mikulastik, Patrick
--	---

# INTERNATIONAL SEARCH REPORT

International application No.  
PCT/HU2018/000002

## Box No. II Observations where certain claims were found unsearchable (Continuation of item 2 of first sheet)

This international search report has not been established in respect of certain claims under Article 17(2)(a) for the following reasons:

1.  Claims Nos.:  
because they relate to subject matter not required to be searched by this Authority, namely:
  
2.  Claims Nos.:  
because they relate to parts of the international application that do not comply with the prescribed requirements to such an extent that no meaningful international search can be carried out, specifically:
  
3.  Claims Nos.:  
because they are dependent claims and are not drafted in accordance with the second and third sentences of Rule 6.4(a).

## Box No. III Observations where unity of invention is lacking (Continuation of item 3 of first sheet)

This International Searching Authority found multiple inventions in this international application, as follows:

see additional sheet

1.  As all required additional search fees were timely paid by the applicant, this international search report covers all searchable claims.
2.  As all searchable claims could be searched without effort justifying an additional fees, this Authority did not invite payment of additional fees.
3.  As only some of the required additional search fees were timely paid by the applicant, this international search report covers only those claims for which fees were paid, specifically claims Nos.:
  
4.  No required additional search fees were timely paid by the applicant. Consequently, this international search report is restricted to the invention first mentioned in the claims; it is covered by claims Nos.:  
  
1-8, 13-20

### Remark on Protest

- The additional search fees were accompanied by the applicant's protest and, where applicable, the payment of a protest fee.
- The additional search fees were accompanied by the applicant's protest but the applicable protest fee was not paid within the time limit specified in the invitation.
- No protest accompanied the payment of additional search fees.

# INTERNATIONAL SEARCH REPORT

International application No  
PCT/HU2018/000002

C(Continuation). DOCUMENTS CONSIDERED TO BE RELEVANT		
Category*	Citation of document, with indication, where appropriate, of the relevant passages	Relevant to claim No.
A	EP 1 180 384 A2 (KONAMI CORP [JP]) 20 February 2002 (2002-02-20) paragraph [0001] - paragraph [0005] -----	1-8, 13-20

# INTERNATIONAL SEARCH REPORT

Information on patent family members

International application No PCT/HU2018/000002
---

Patent document cited in search report	Publication date	Patent family member(s)	Publication date
WO 2009152054 A1	17-12-2009	US 2010090077 A1 WO 2009152054 A1	15-04-2010 17-12-2009
-----			
EP 1180384 A2	20-02-2002	AU 765305 B2 CN 1338690 A EP 1180384 A2 JP 3561463 B2 JP 2002052240 A KR 20020013751 A TW I230622 B US 2002022518 A1	11-09-2003 06-03-2002 20-02-2002 02-09-2004 19-02-2002 21-02-2002 11-04-2005 21-02-2002
-----			

**FURTHER INFORMATION CONTINUED FROM PCT/ISA/ 210**

This International Searching Authority found multiple (groups of) inventions in this international application, as follows:

1. claims: 1-8, 13-20

mechanic movement of display or mask

---

2. claims: 9, 10, 21, 22

head or eye movement as user input

---

3. claims: 11, 12, 23, 24

fresnel lens

---

4. claims: 25, 26

gyroscopic sensor

---