

FIGURE 1

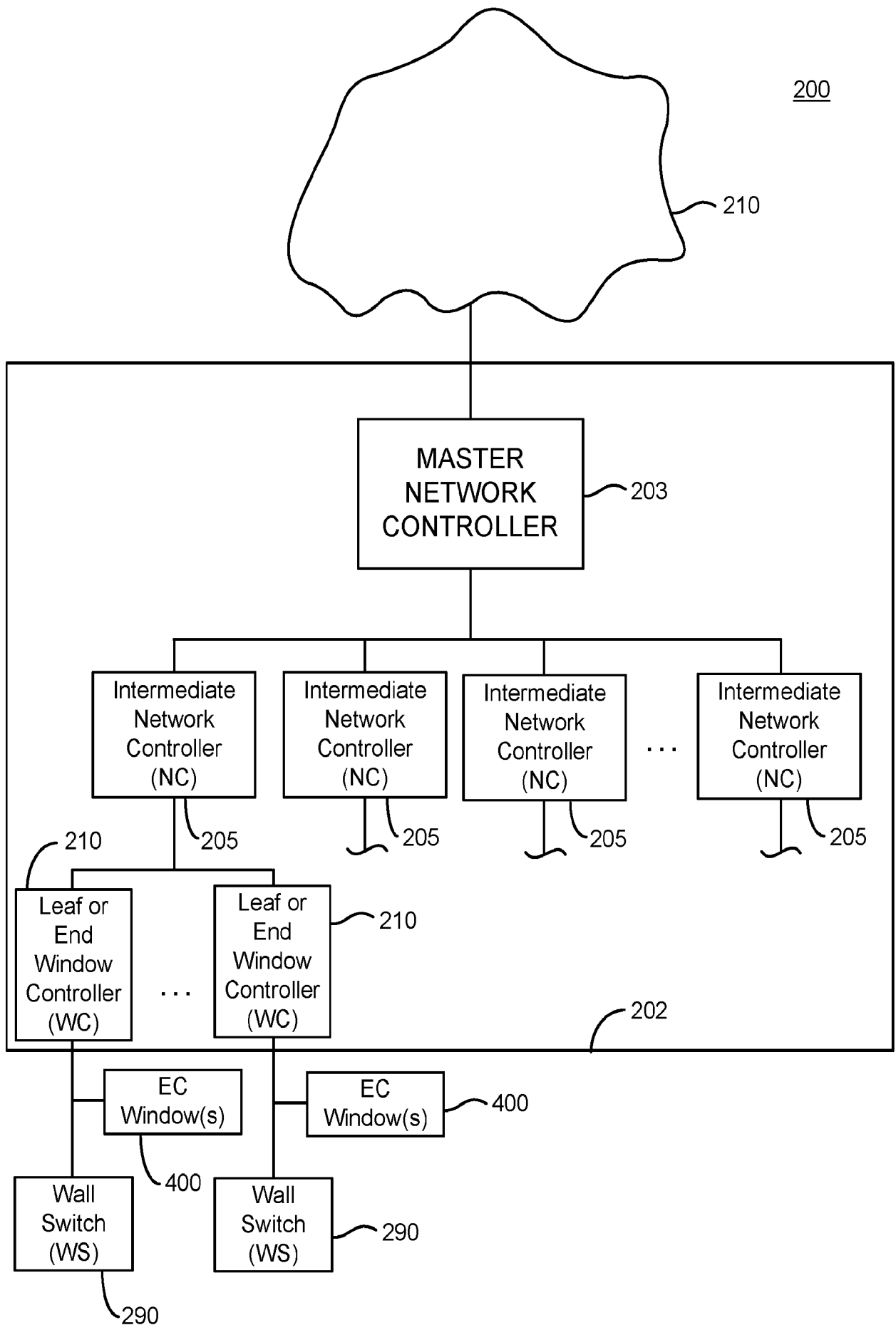


FIGURE 2

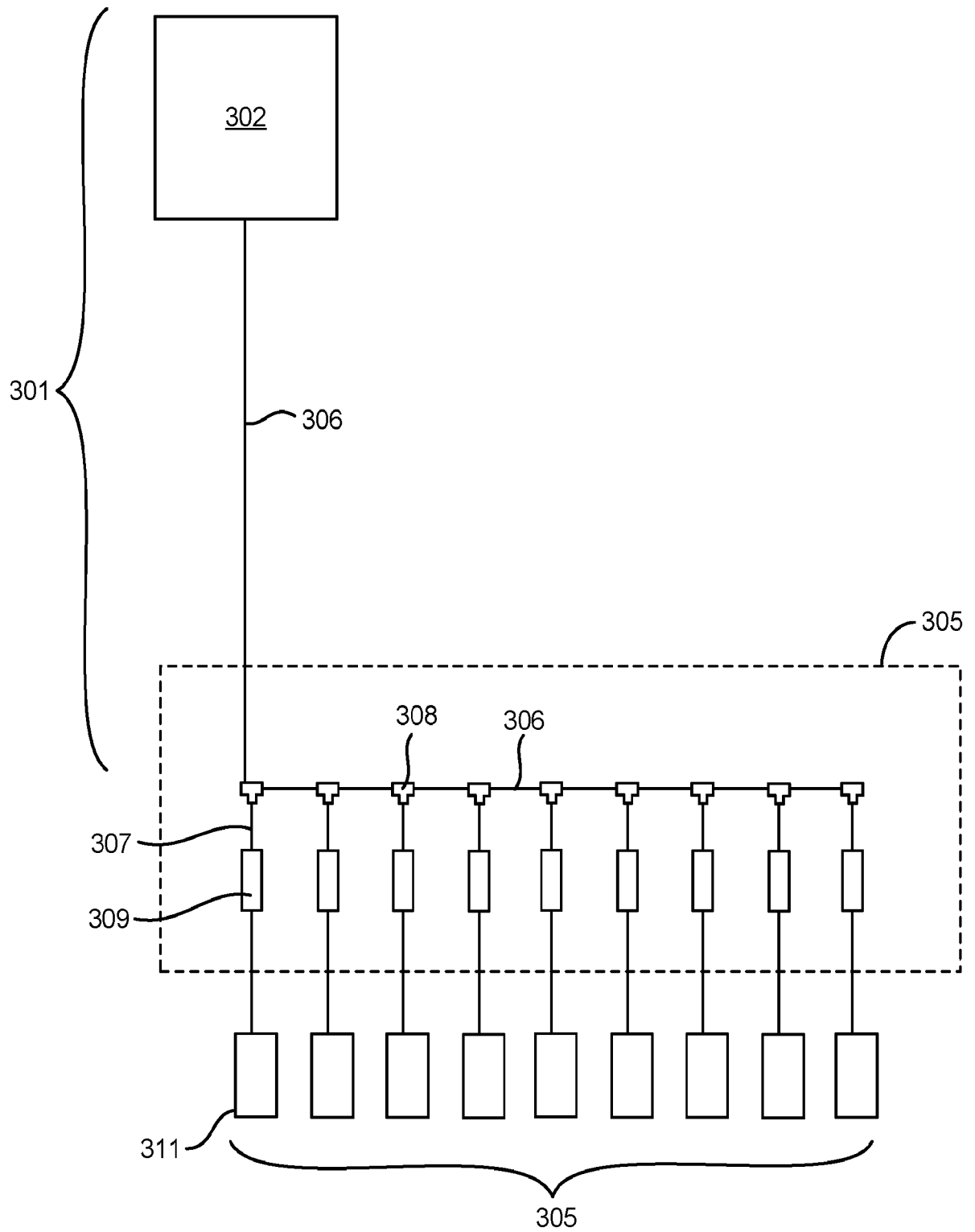


FIGURE 3A

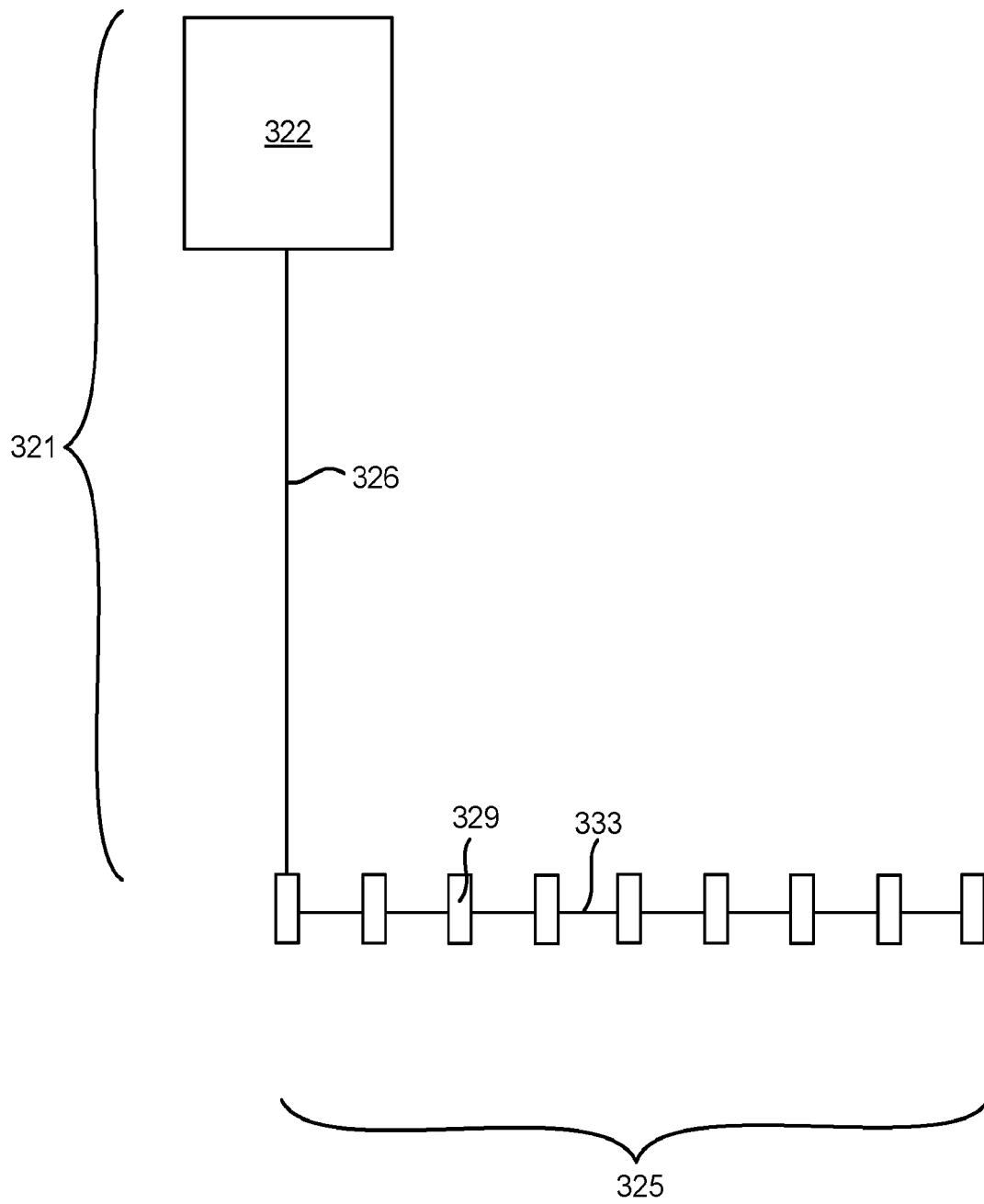


FIGURE 3B

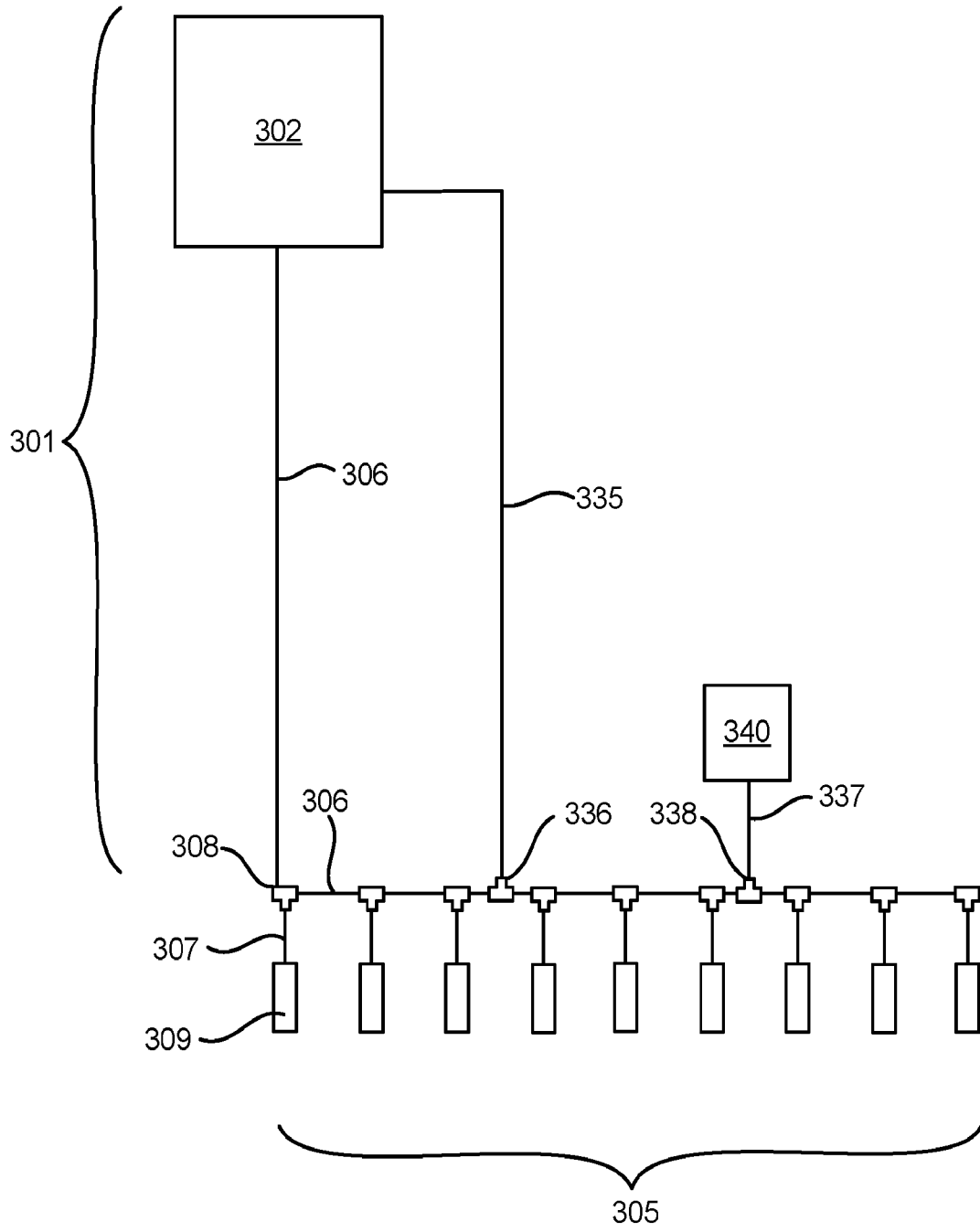


FIGURE 3C

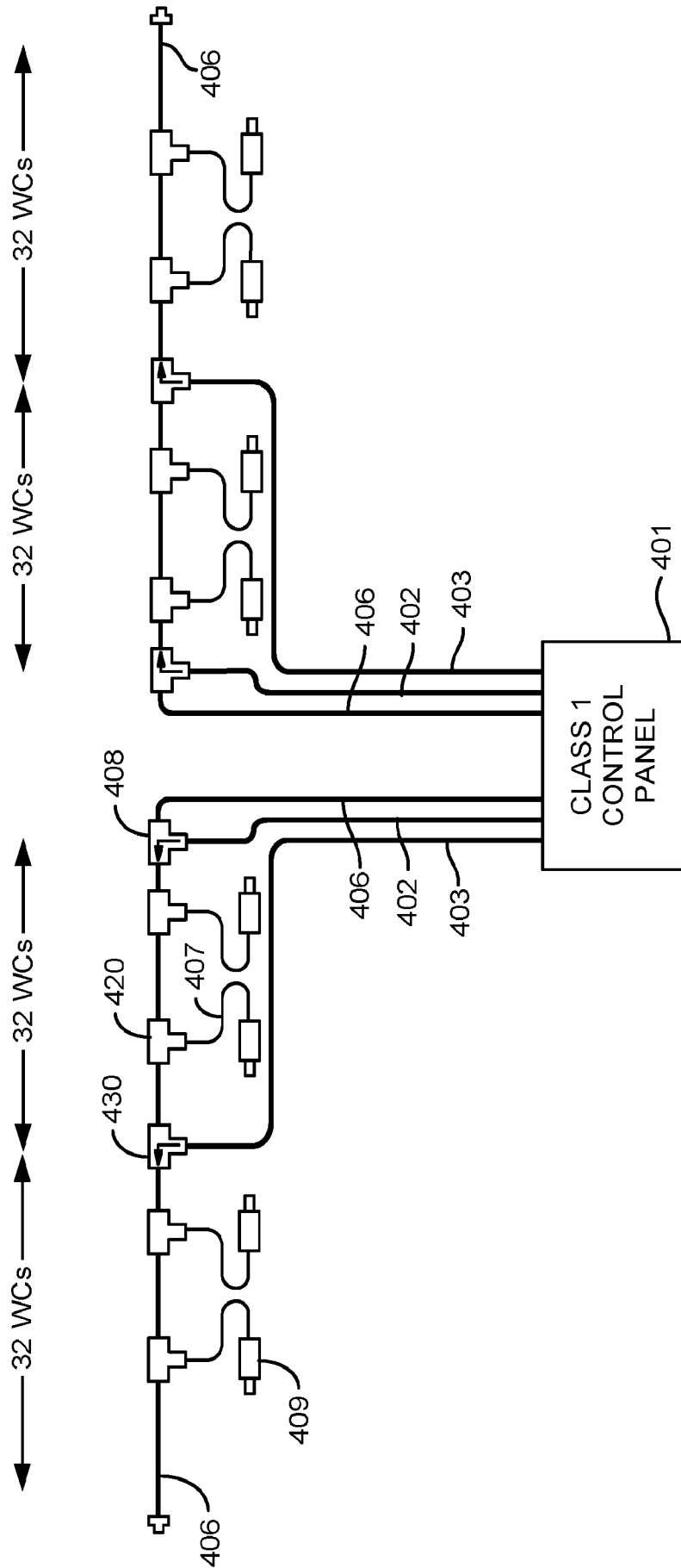


FIGURE 4

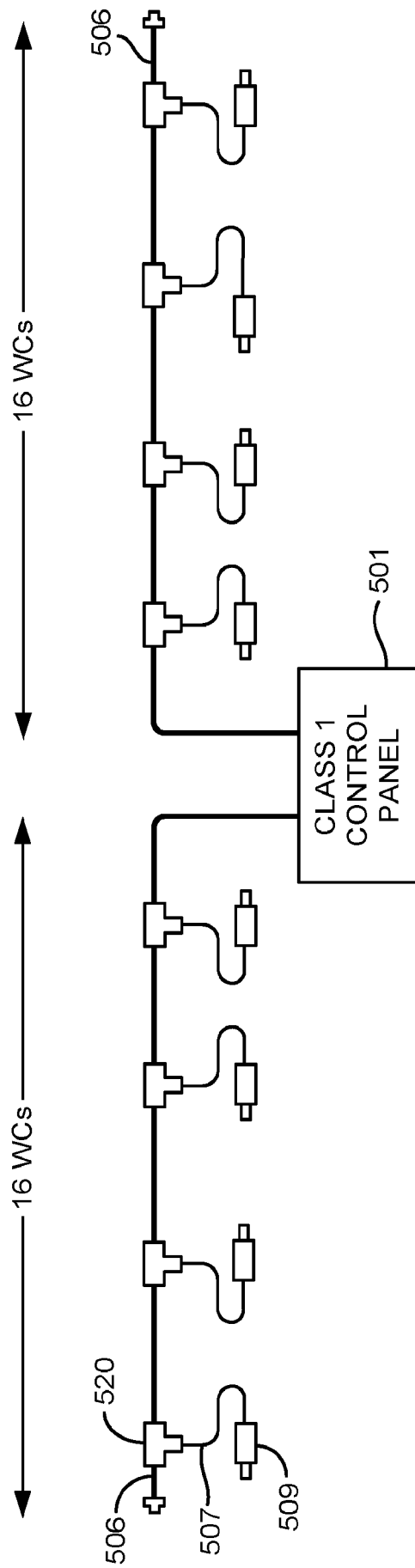


FIGURE 5A

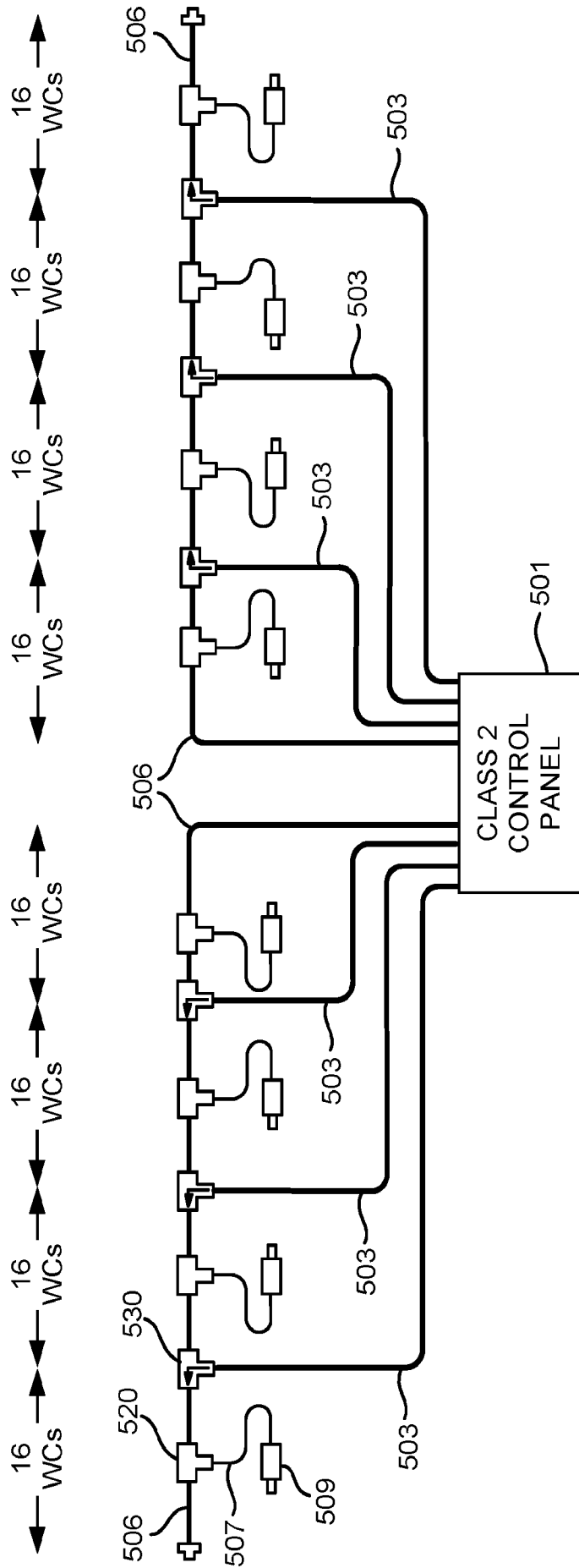


FIGURE 5B



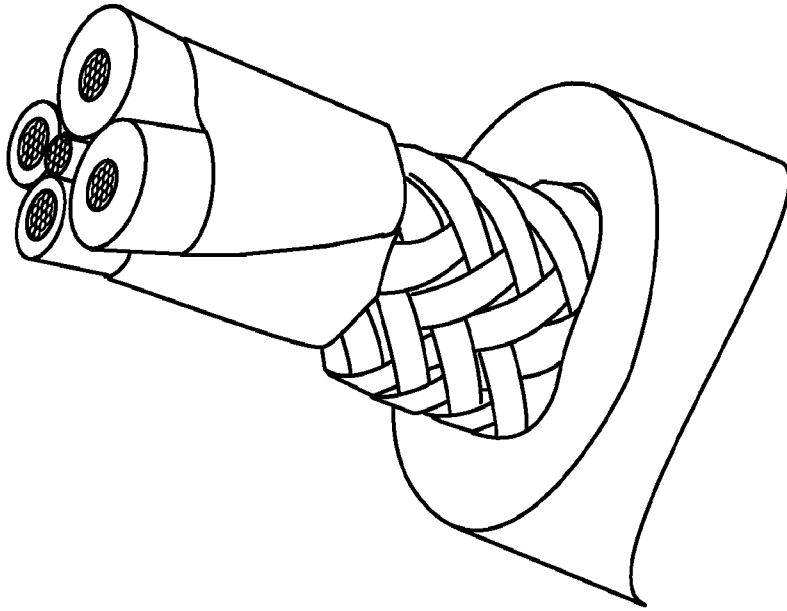


FIGURE 6A

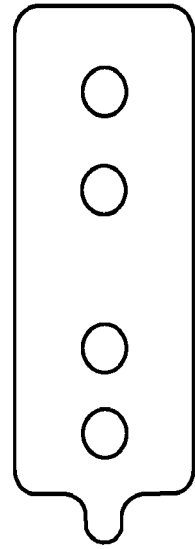


FIGURE 6B

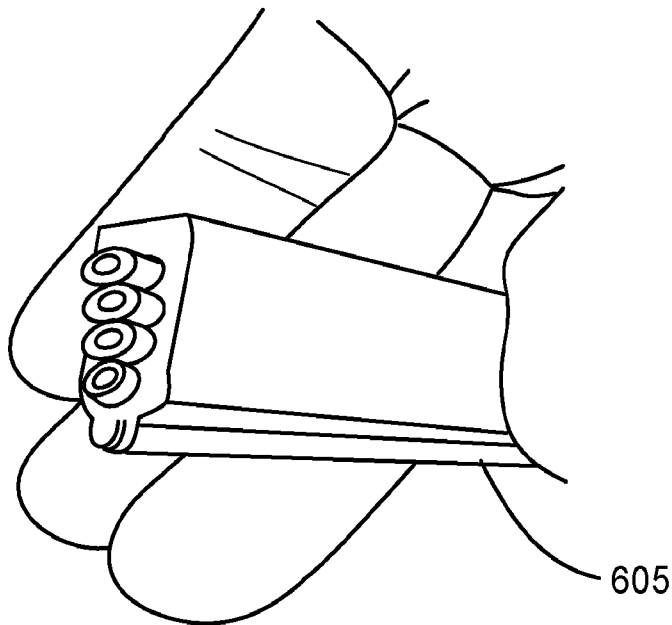


FIGURE 6C

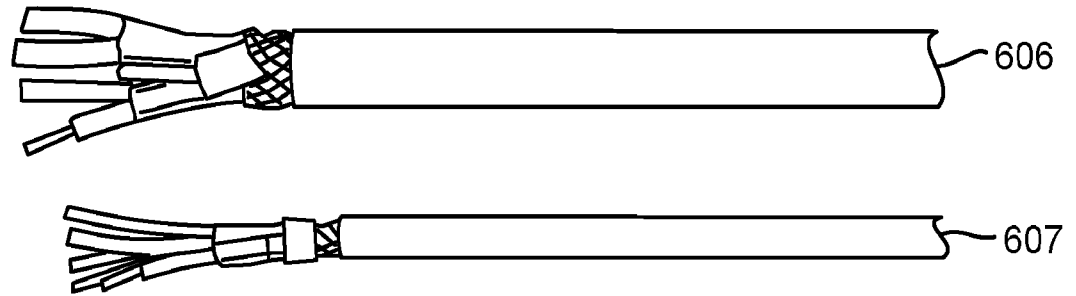


FIGURE 6D

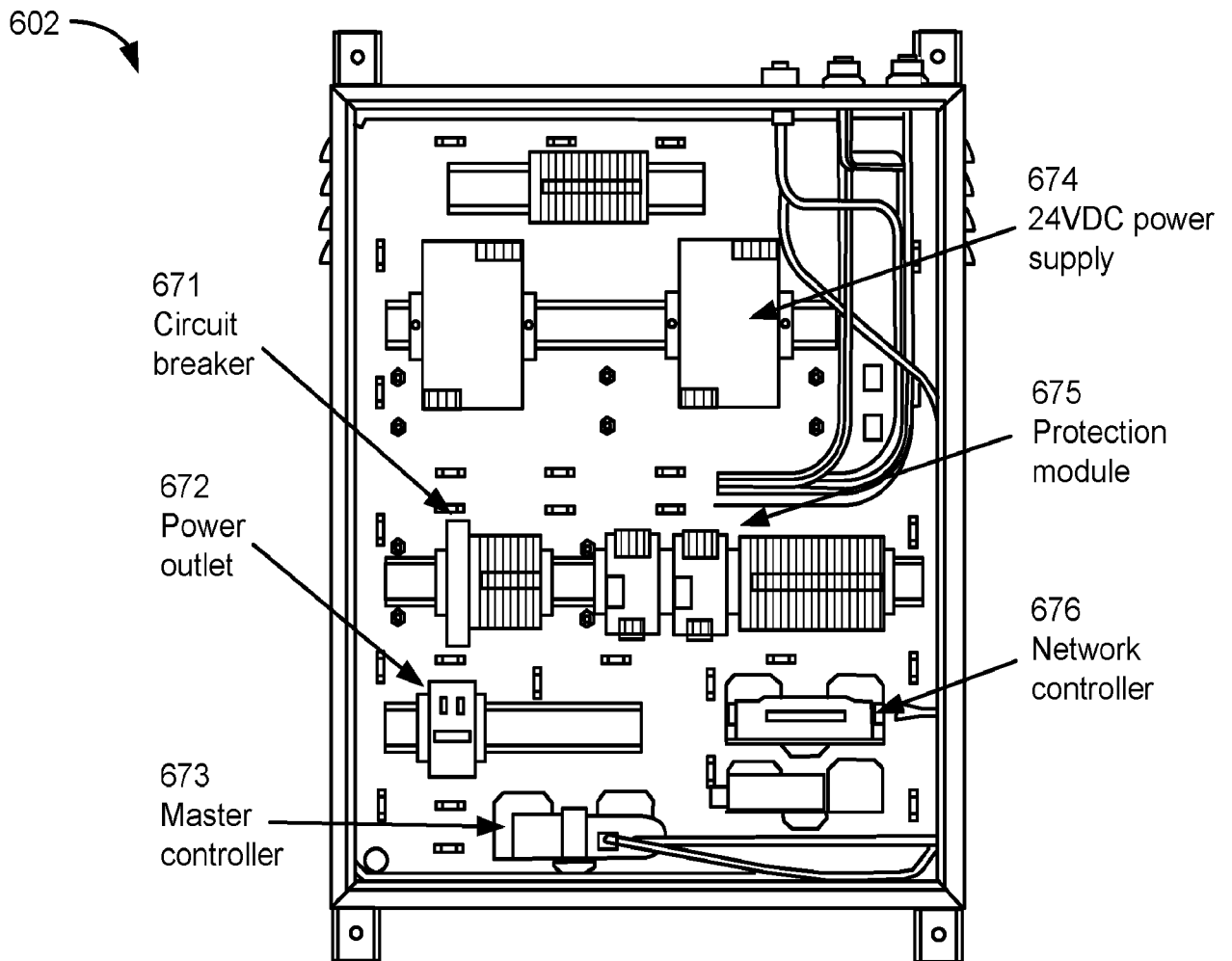


FIGURE 6E

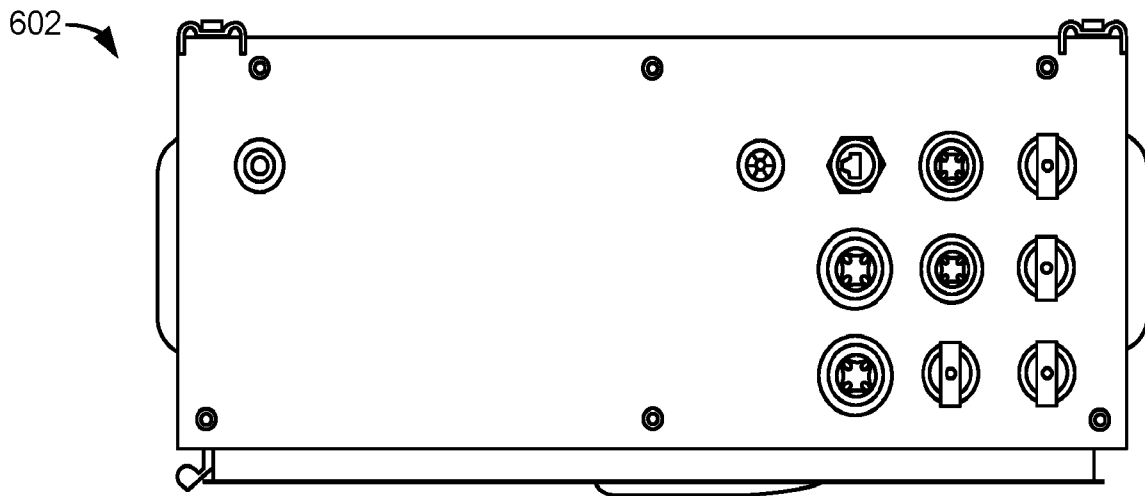


FIGURE 6F

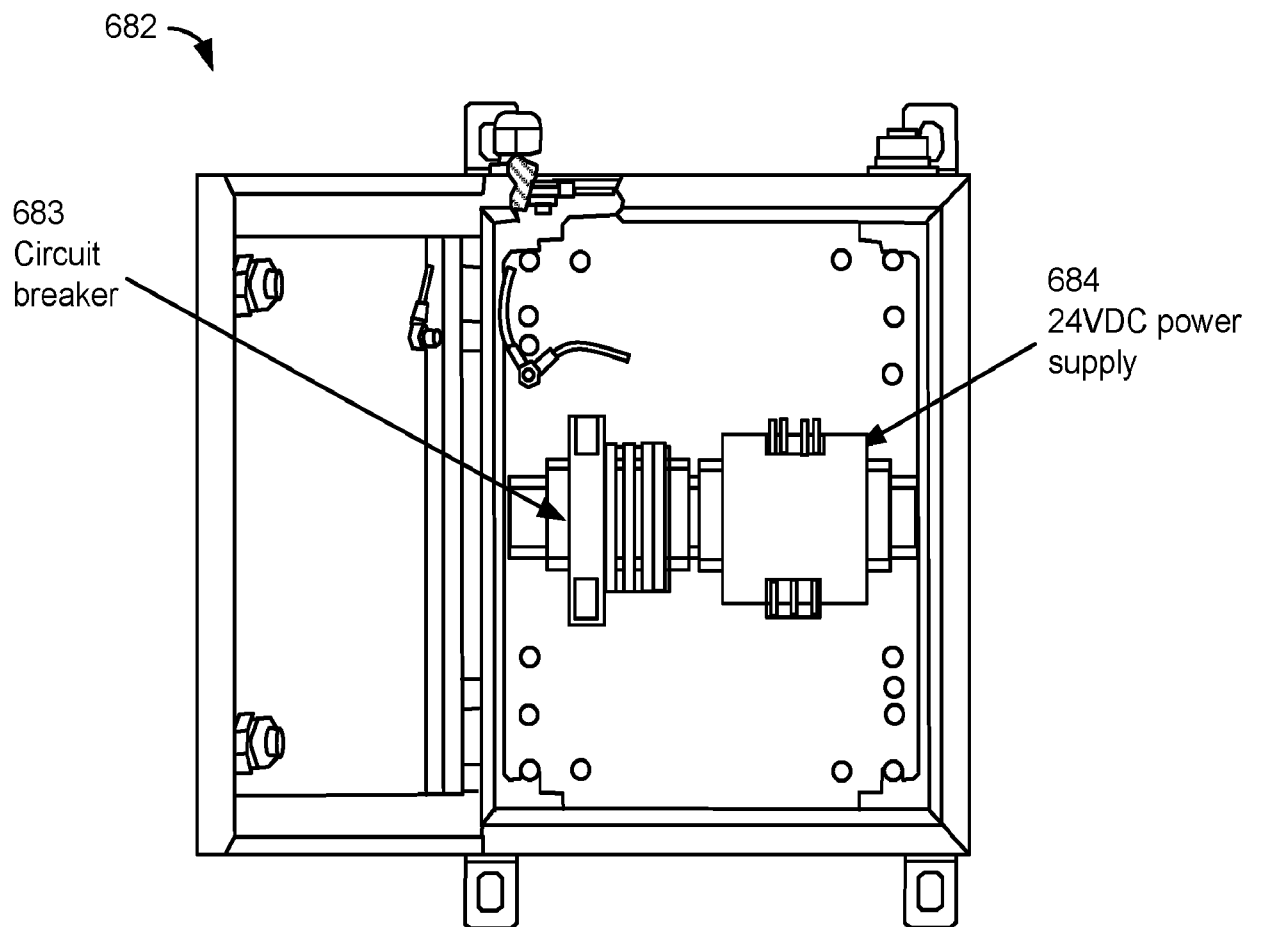


FIGURE 6G

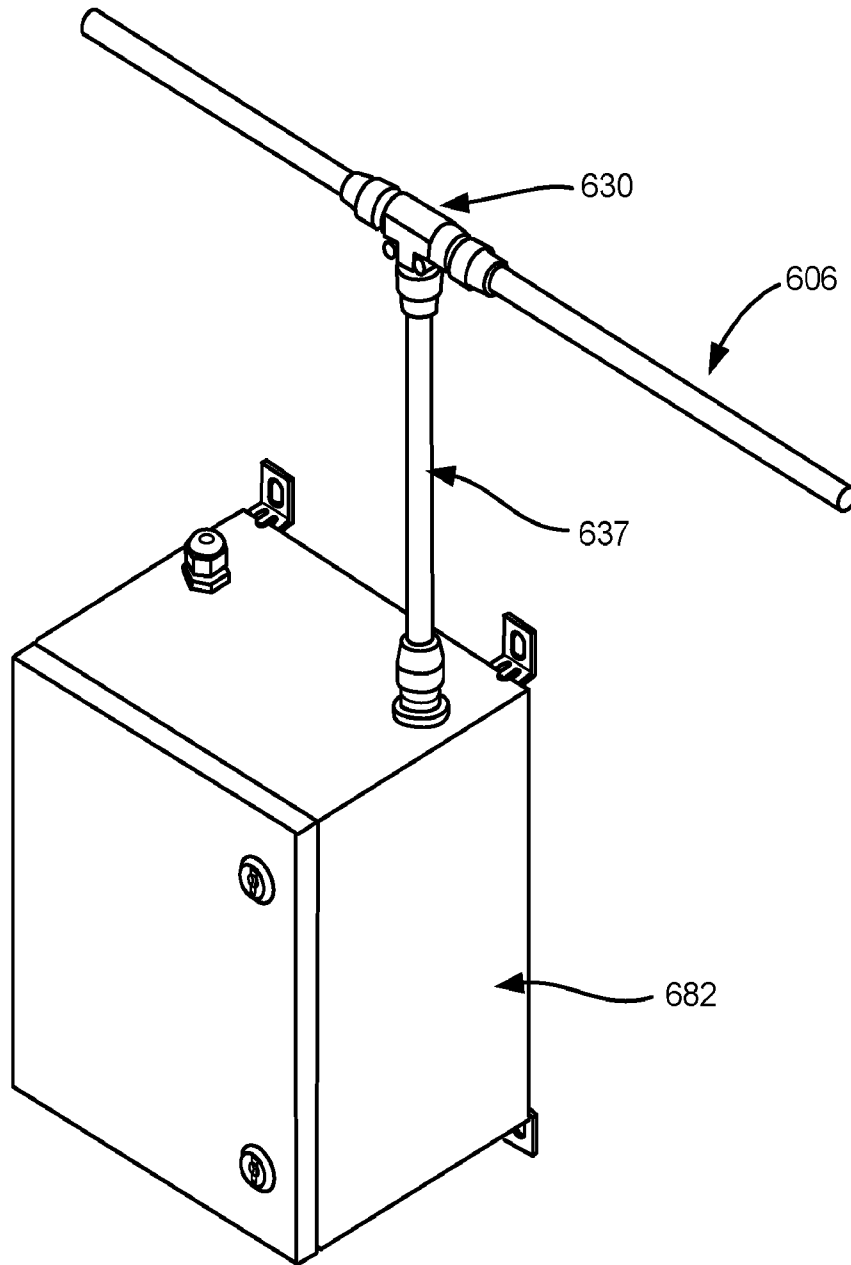


FIGURE 6H

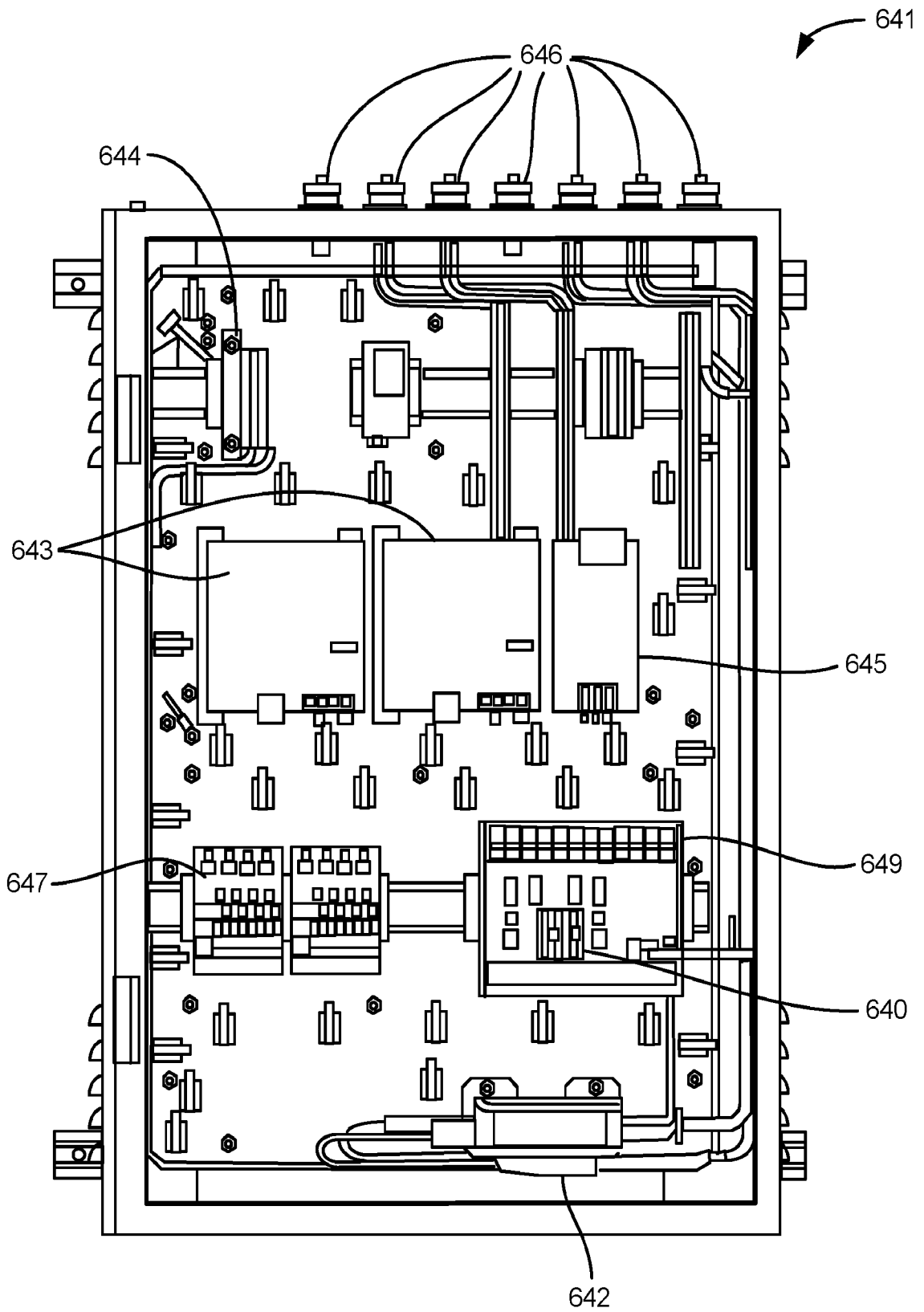


FIGURE 6I

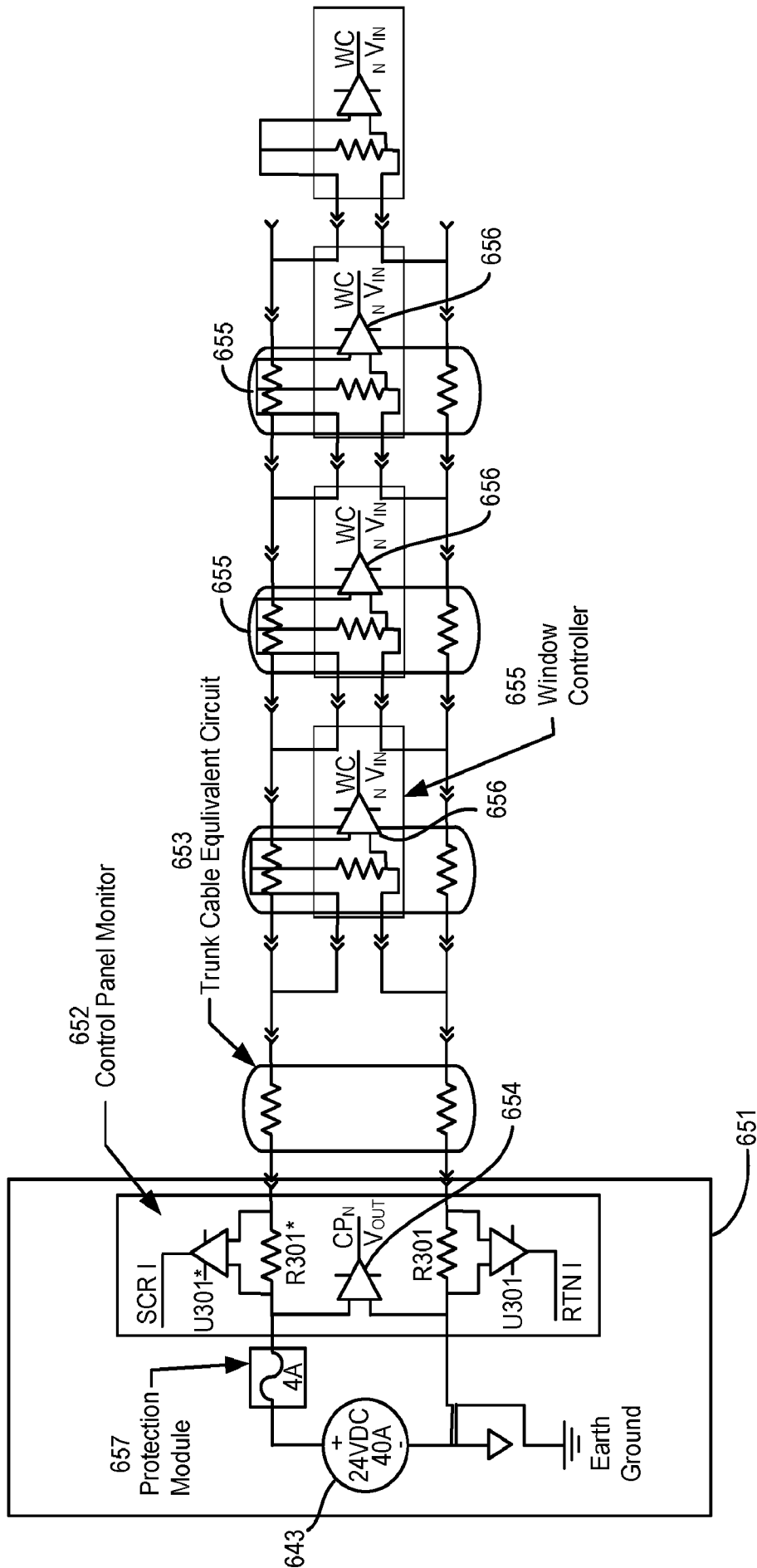


FIGURE 6J

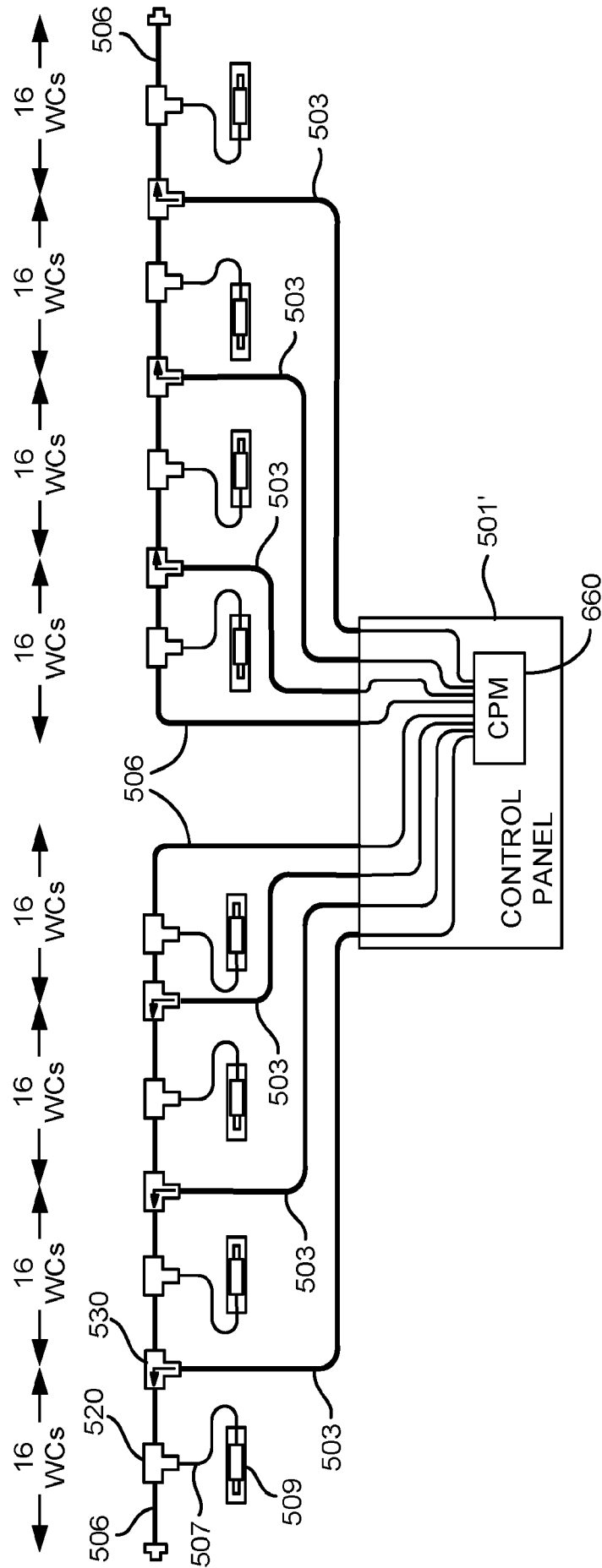


FIGURE 6K

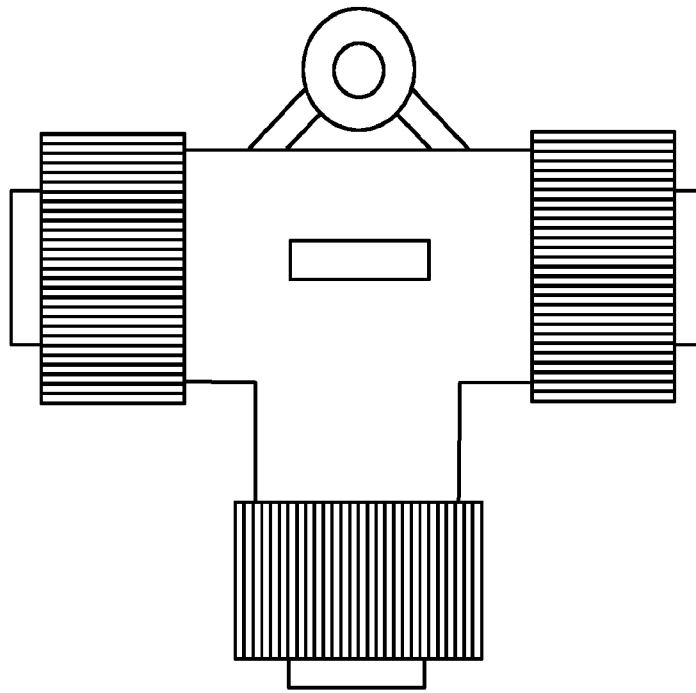


FIGURE 7A

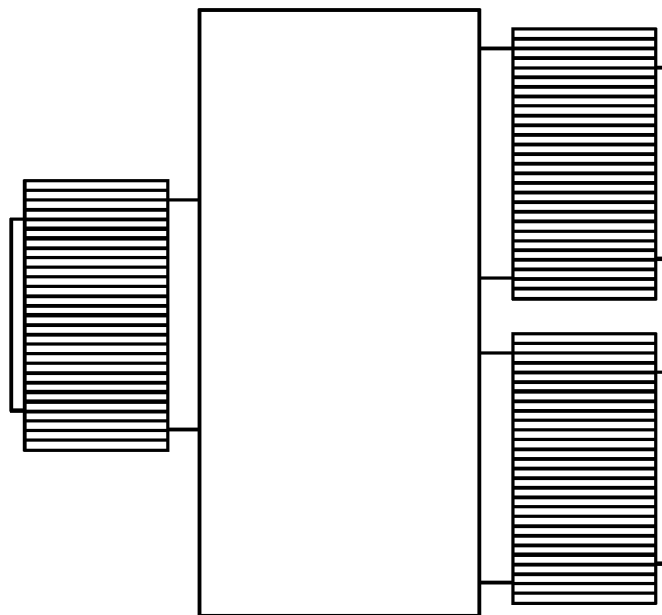


FIGURE 7B



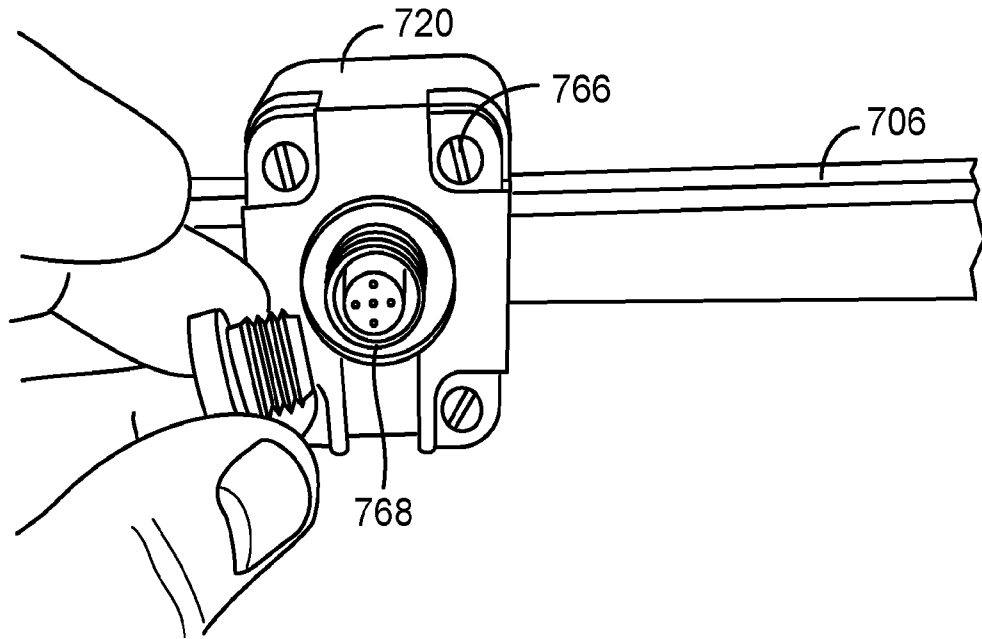


FIGURE 7C

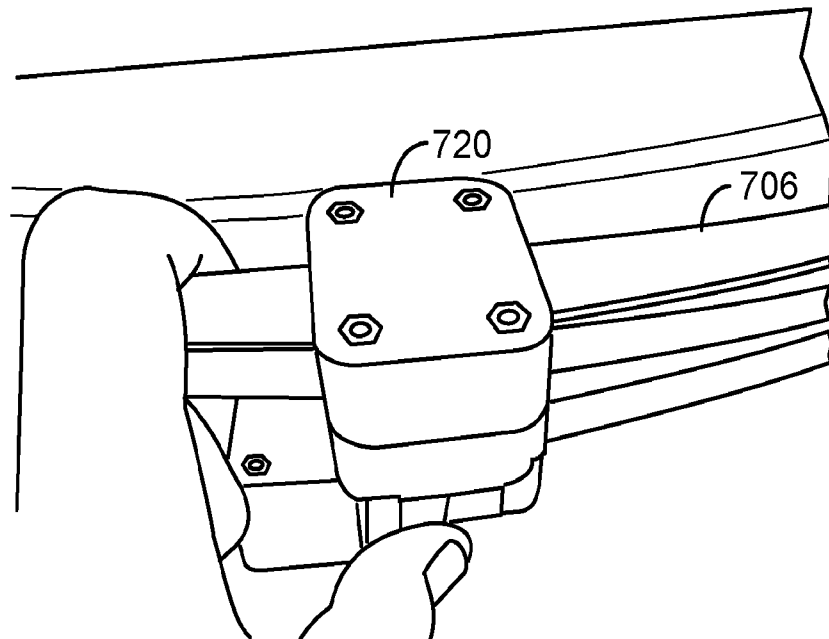


FIGURE 7D

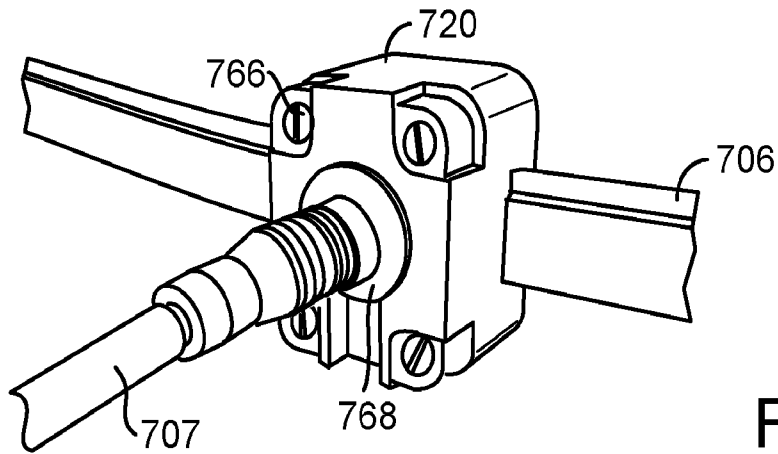


FIGURE 7E

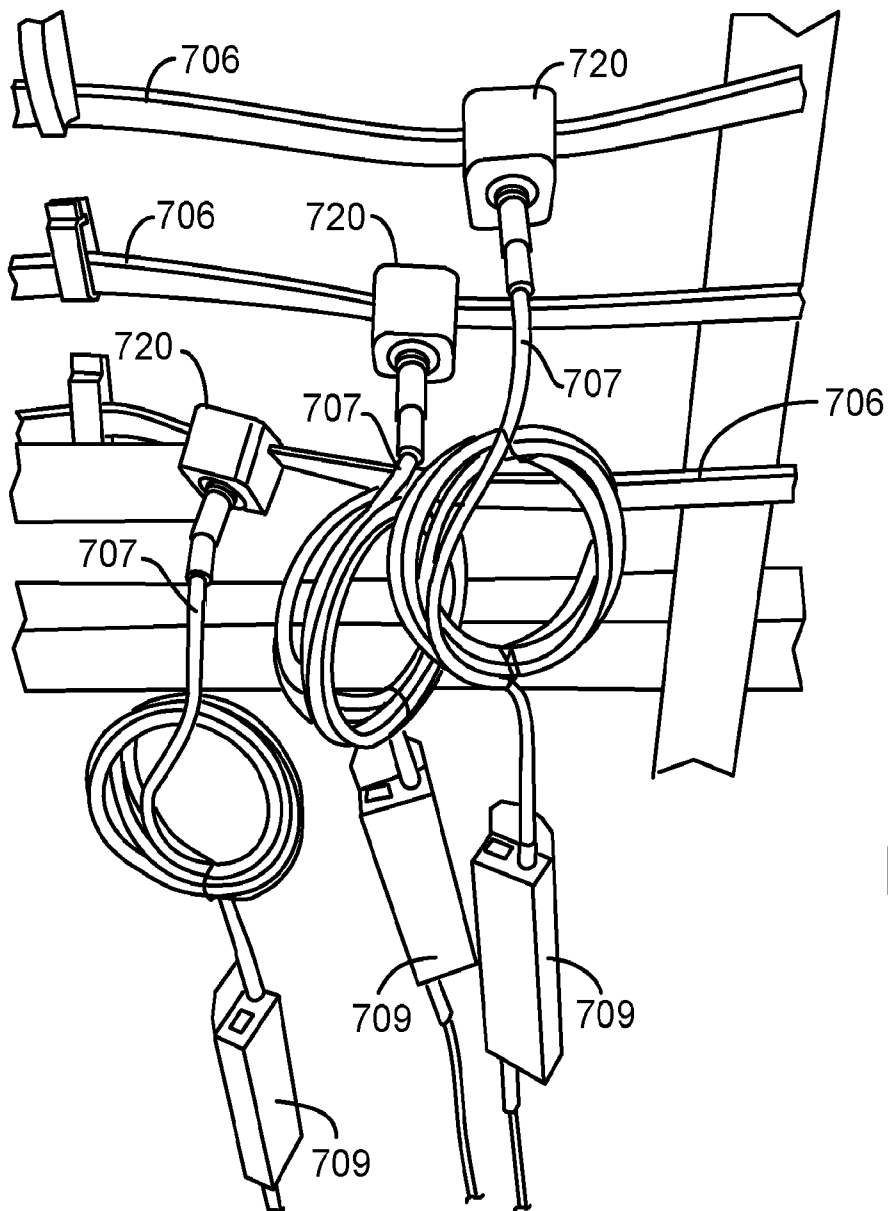


FIGURE 7F

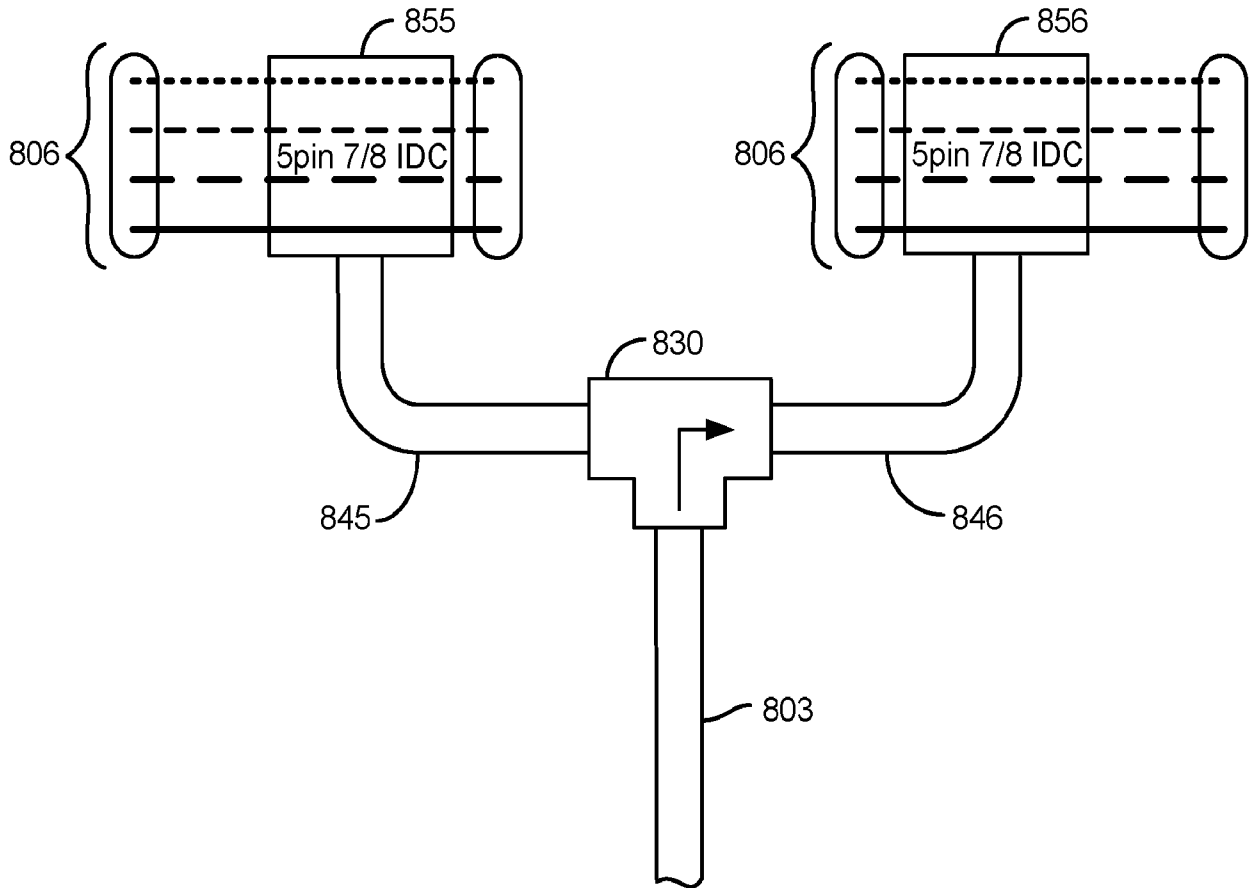


FIGURE 8A

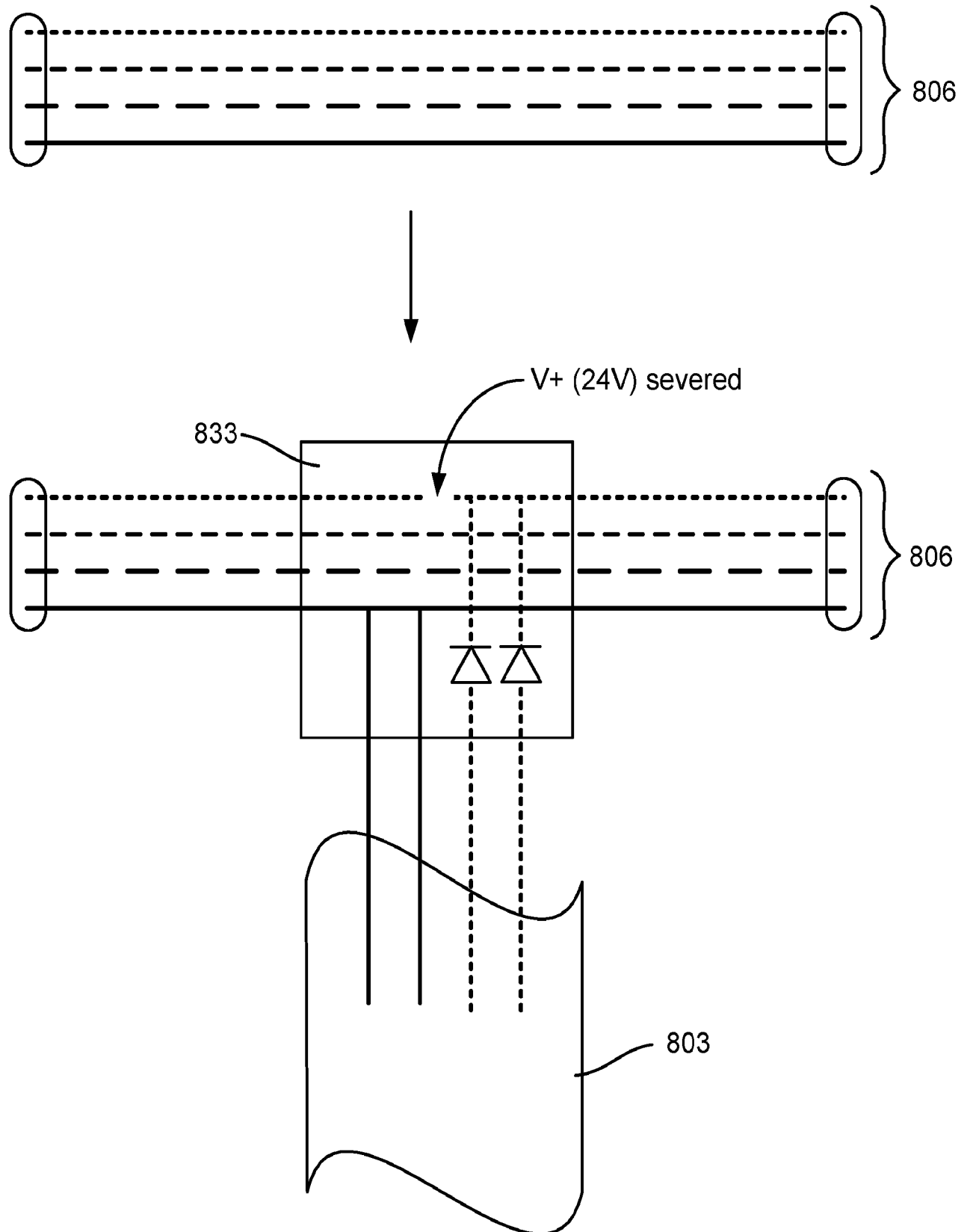


FIGURE 8B

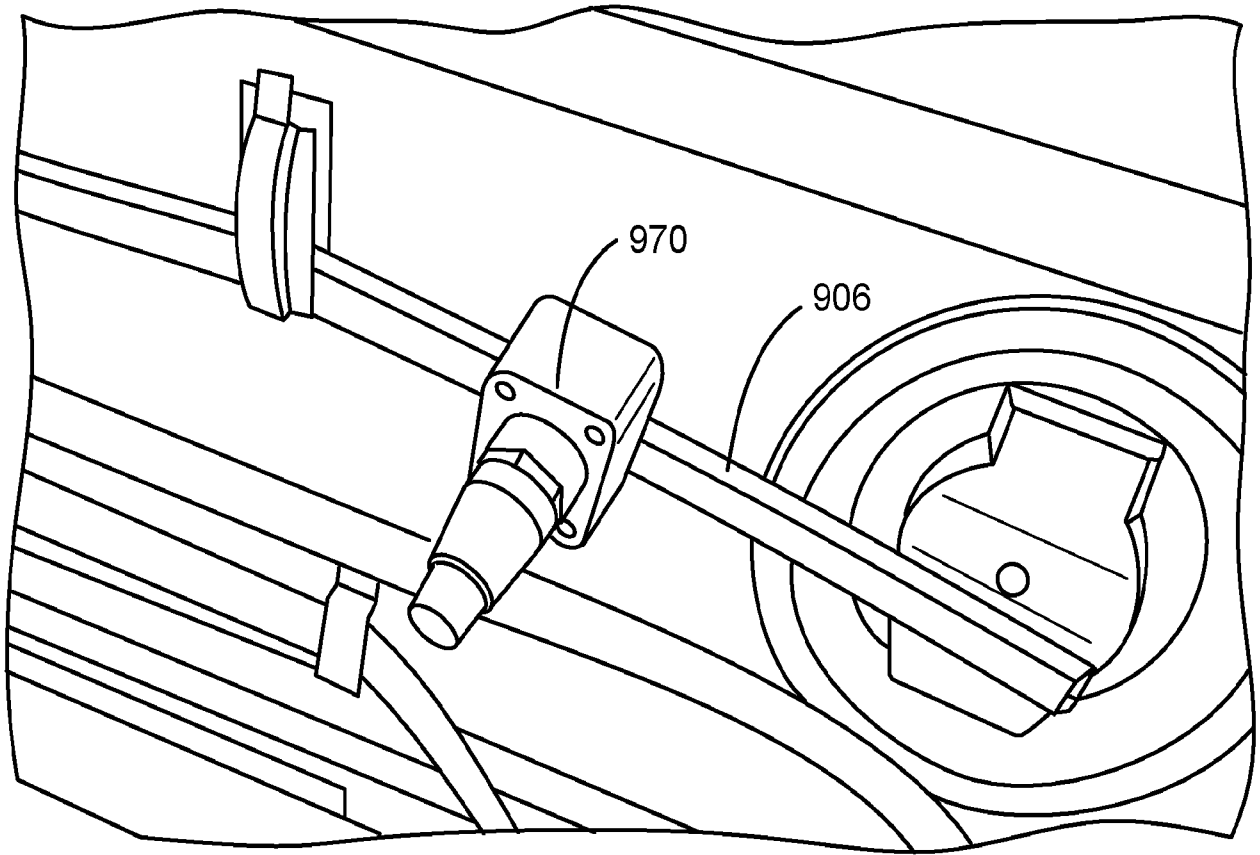


FIGURE 9