


CANADIAN INTELLECTUAL PROPERTY OFFICE, **Box PCT**  
Place du Portage 1  
50 Victoria Street, Rm C-114  
Gatineau, Quebec K1A 0C9

Industry Canada	Industrie Canada	A/M/J	Y/M/D
		2018/02/02	
		033- 18	
CIPO	OPIC	<b>C004407129</b>	

Applicant: Bend All Automotive ULC

Serial Number: PCT/CA2017/051434

Filing Date: 29 November 2017

Earliest Priority Date: 29 November 2016

Title: FIRST-FILL THERMOSTATIC VALVE ELEMENT

Attorney Ref: 612-76PC

Formalities Officer: Kadiratou Adam

SUBMISSION DATE: 02 February 2018

**RESPONSE TO INVITATION TO CORRECT DEFECTS IN THE INTERNATIONAL APPLICATION**

This is in response to the Notice issued 07 December 2017.

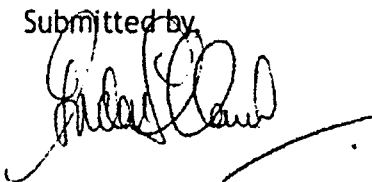
A executed Power of Attorney is submitted for entry into record.

A complete set of formal drawings is attached. No new subject matter has been added into the drawings.

We attach replacement page of the description, claims, and abstract correcting spelling, formatting and sequencing of the specification. We state that no new subject matter has been added in the replacement pages. A marked copy of the specification is also attached for the Examiner's reference.

We look forward to issue of the ISR and Examiner's Written Opinion.

Submitted by



Gordon S. Clarke  
Agent for the Applicant

1/11

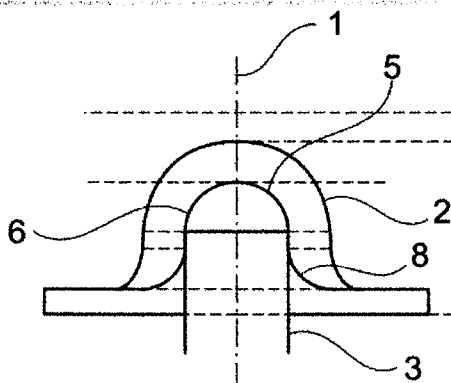


Fig. 1

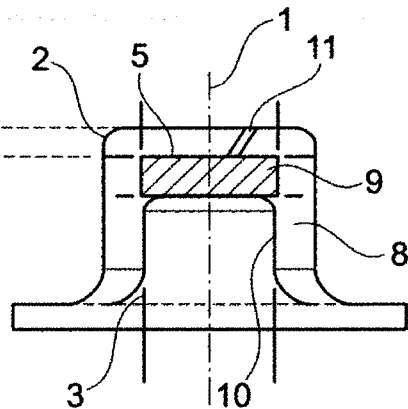


Fig. 4

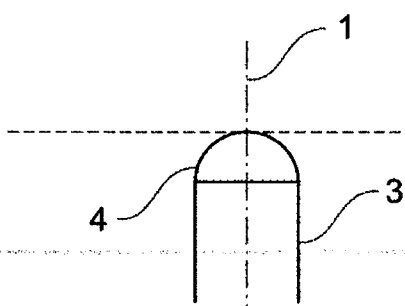


Fig. 2

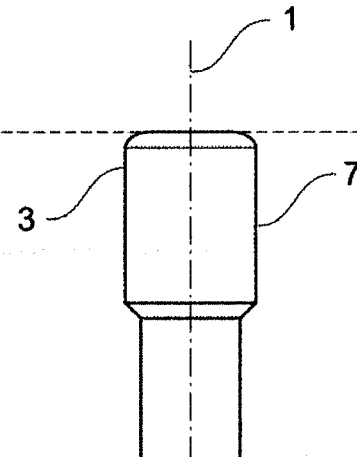


Fig. 5

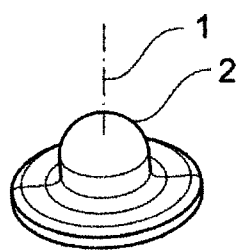


Fig. 3  
Prior Art

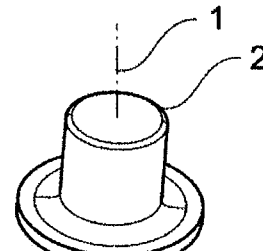


Fig. 6

2/11

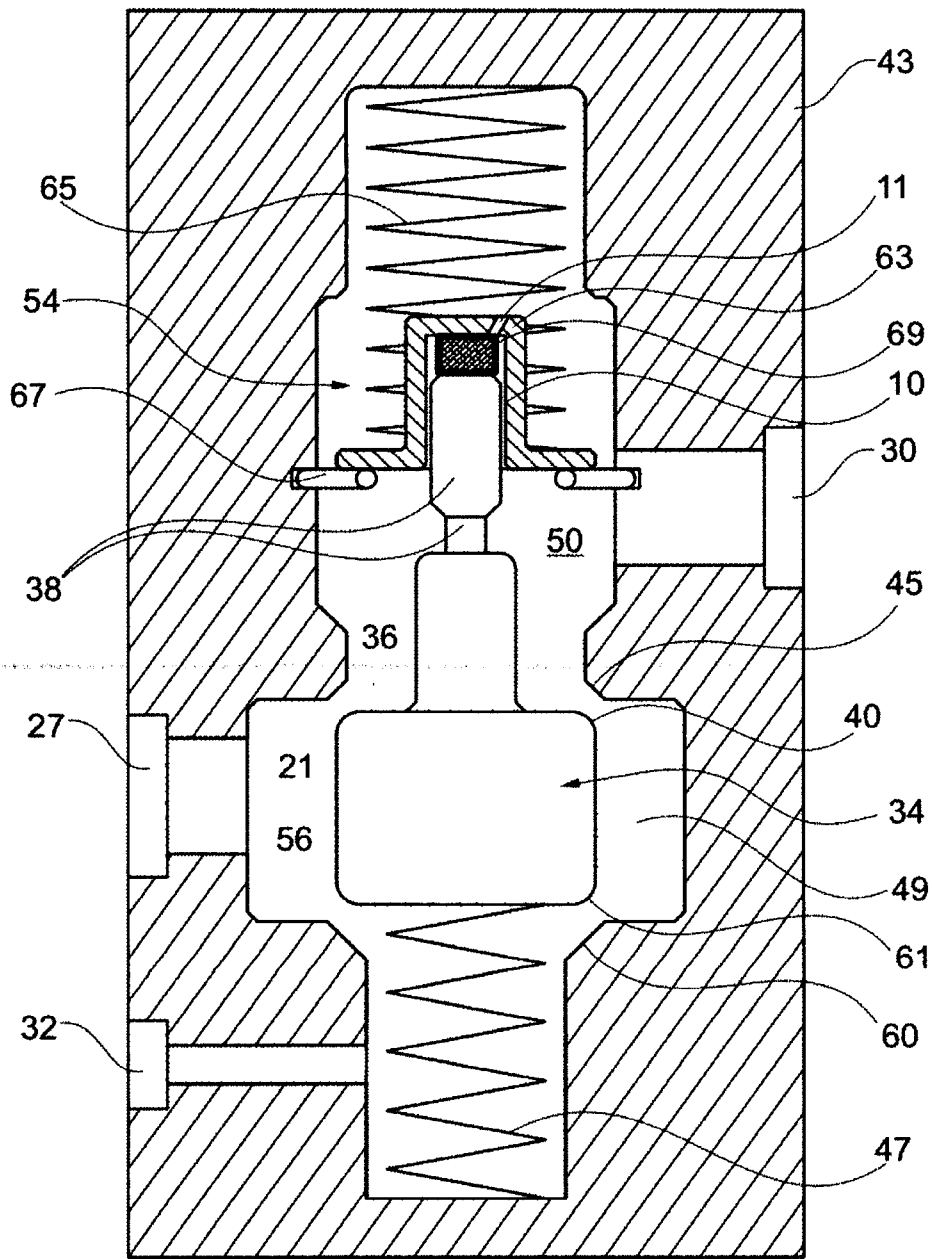


Fig. 7

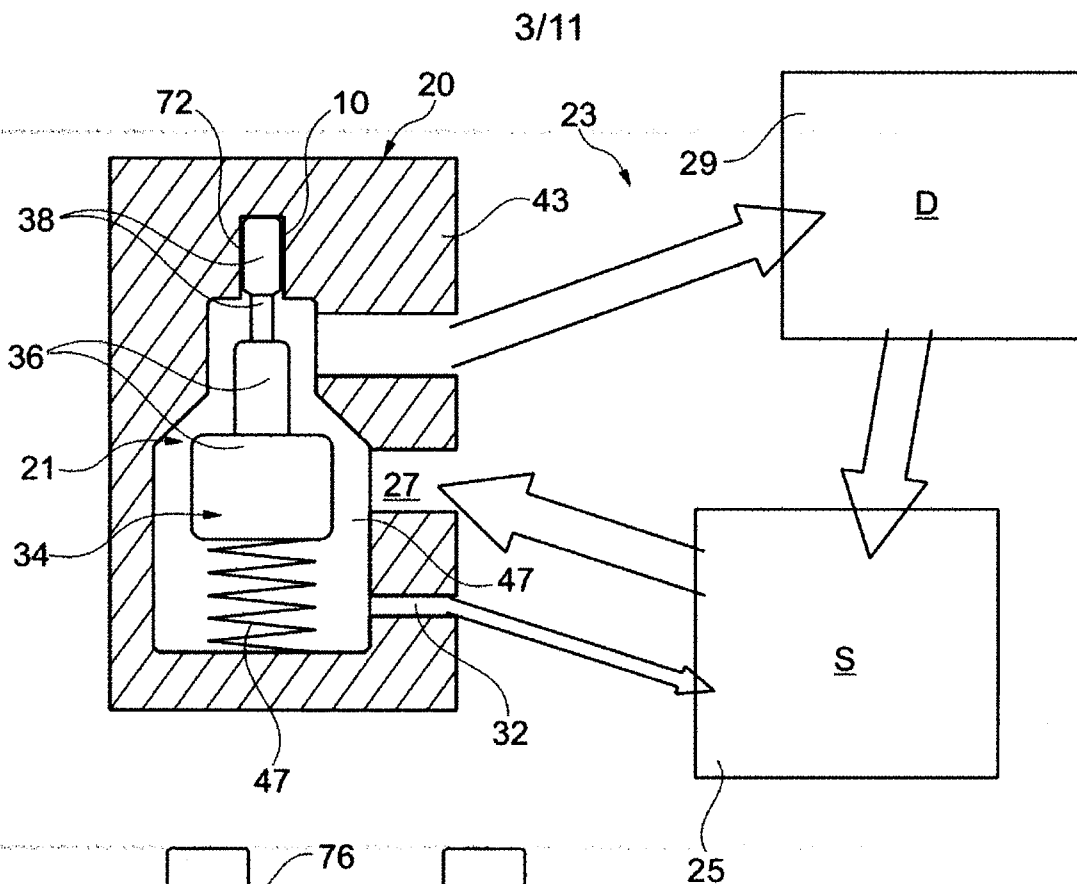


Fig. 8

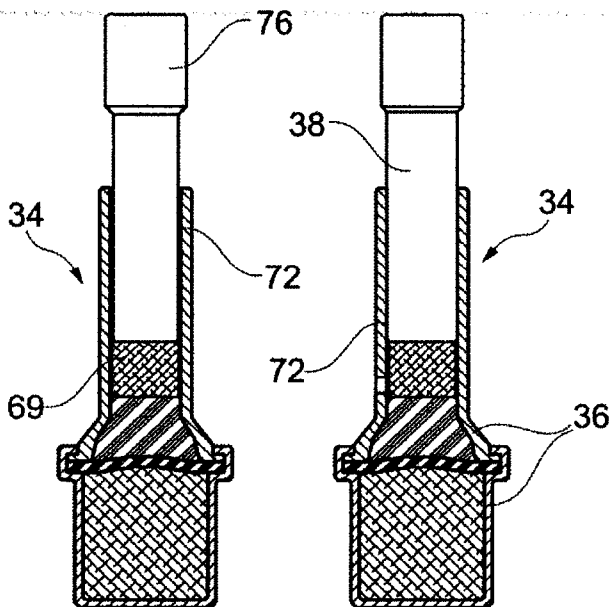


Fig. 16A

Fig. 16B

4/11

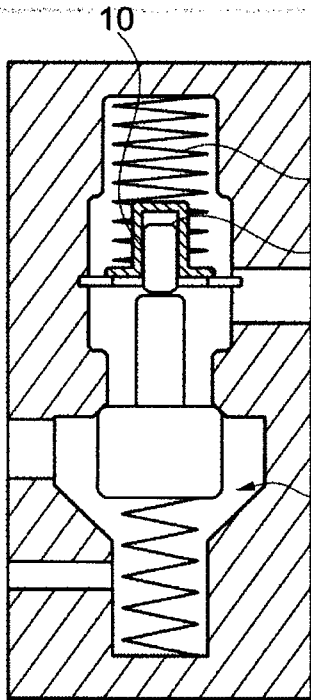


Fig. 9A COLD

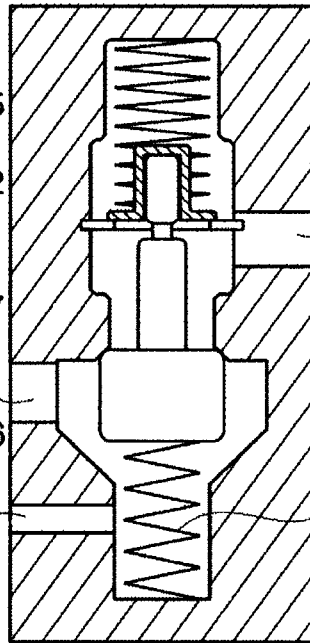


Fig. 9B COOL

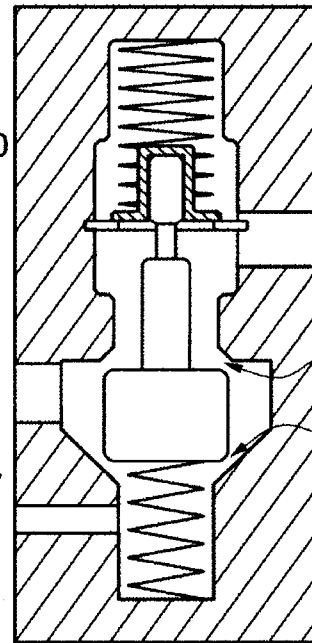


Fig. 9C TEPID

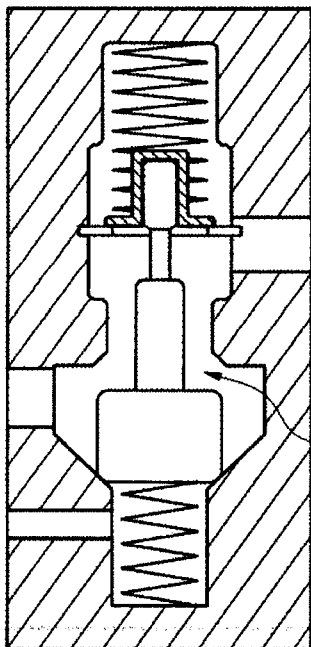


Fig. 9D WARM

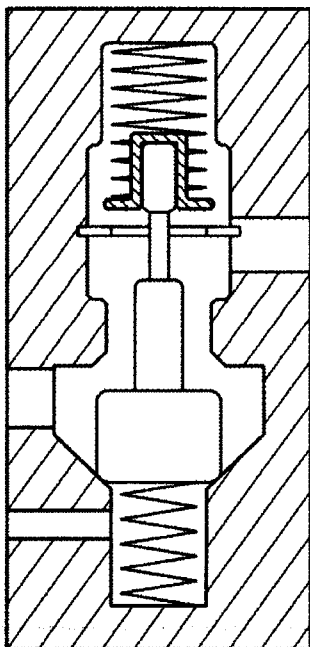


Fig. 9E HOT

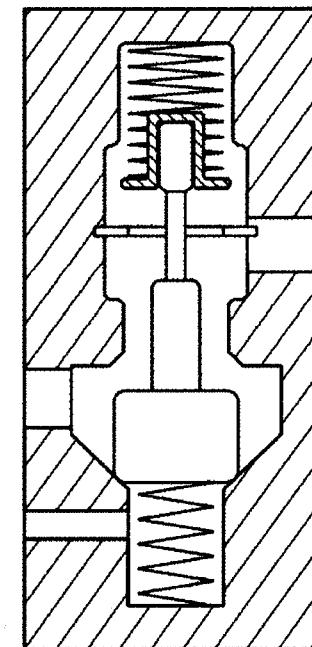


Fig. 9F VERY HOT

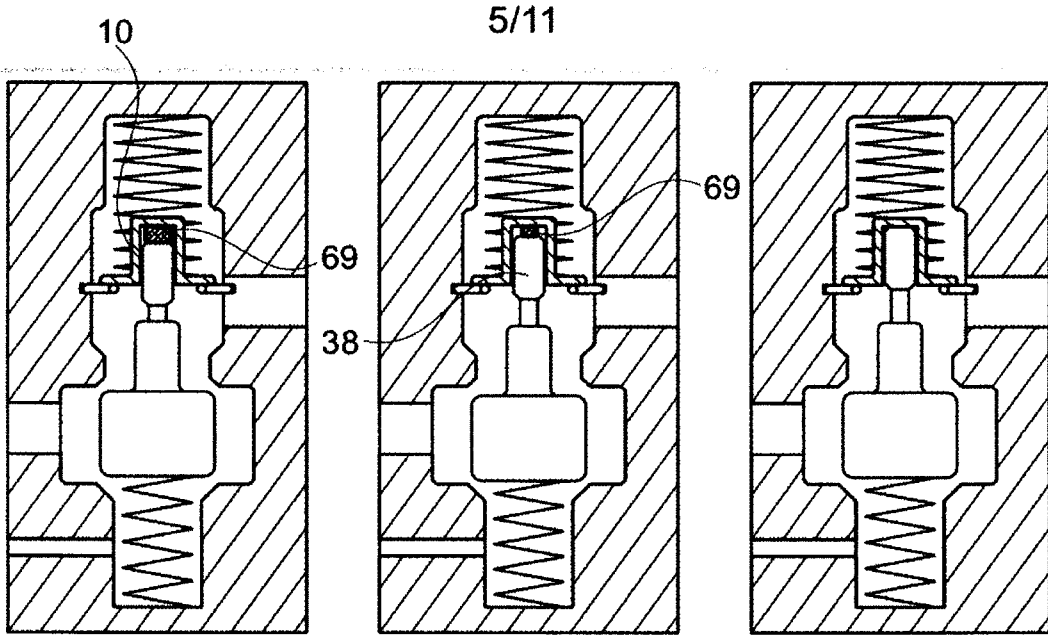


Fig. 10A

Fig. 10B

Fig. 10C

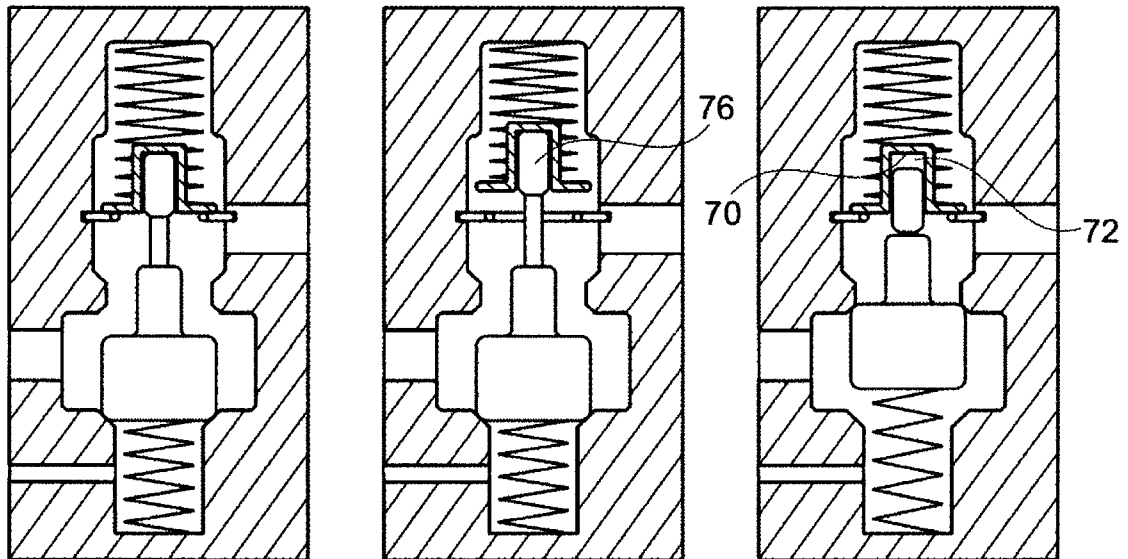


Fig. 10D

Fig. 10E

Fig. 10F

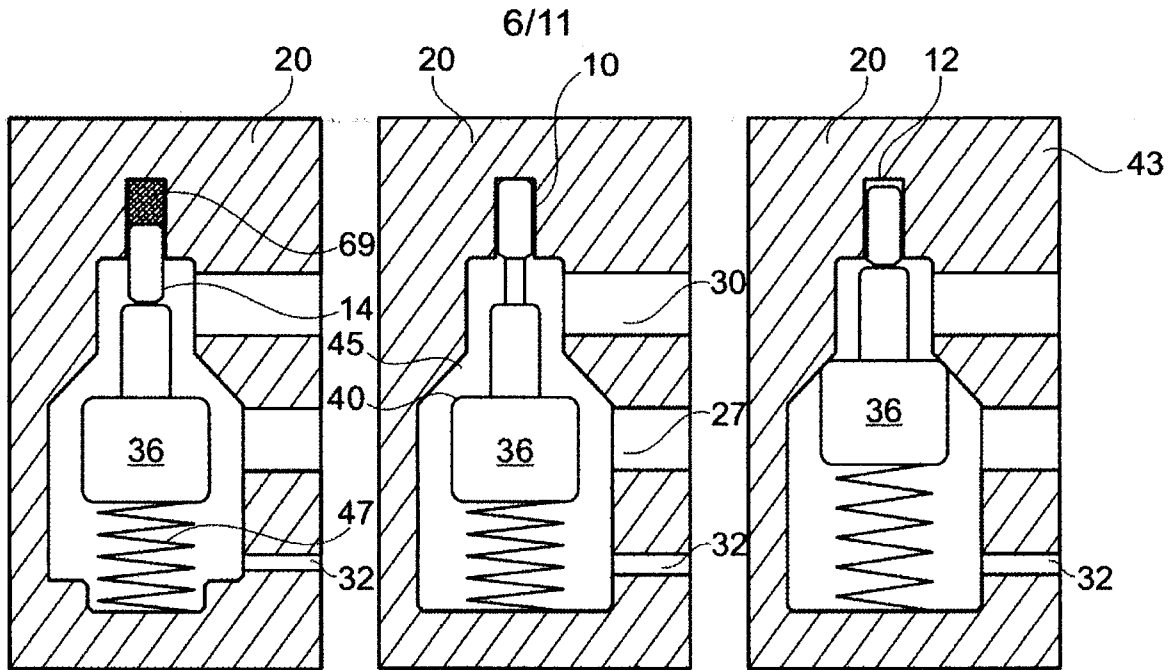


Fig. 11A

Fig. 11B

Fig. 11C

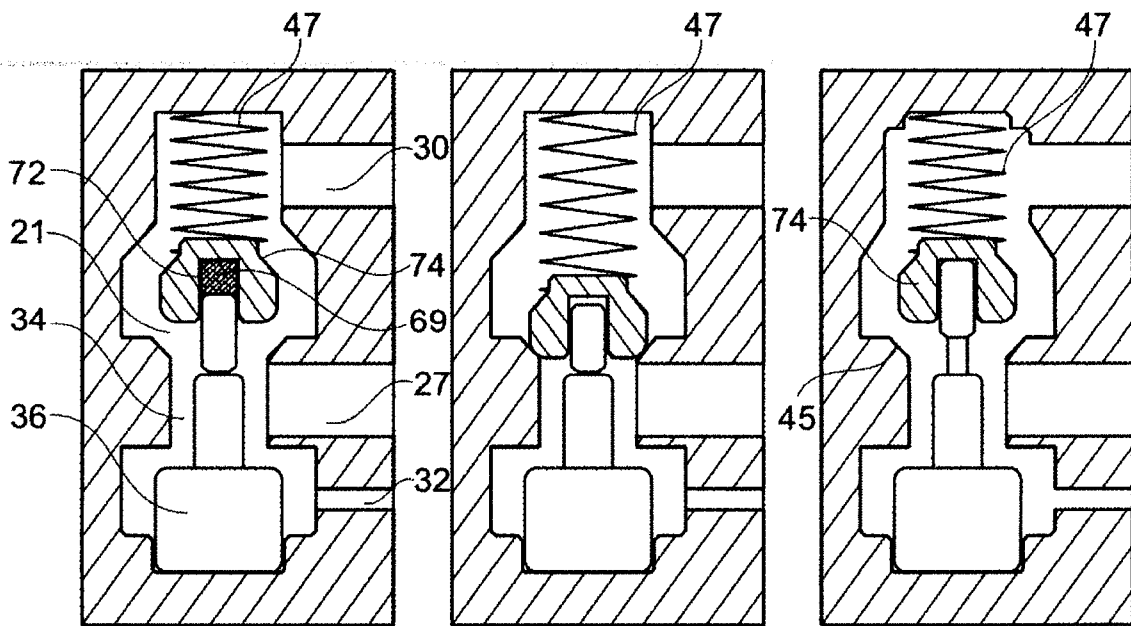


Fig. 12A

Fig. 12B

Fig. 12C

7/11

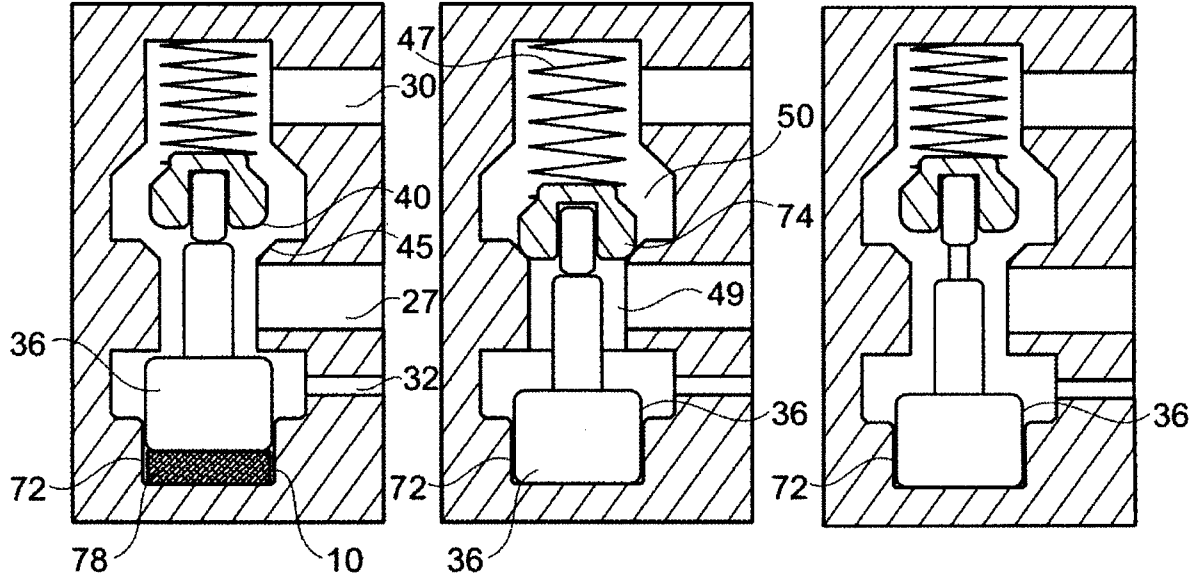


Fig. 13A

Fig. 13B

Fig. 13C

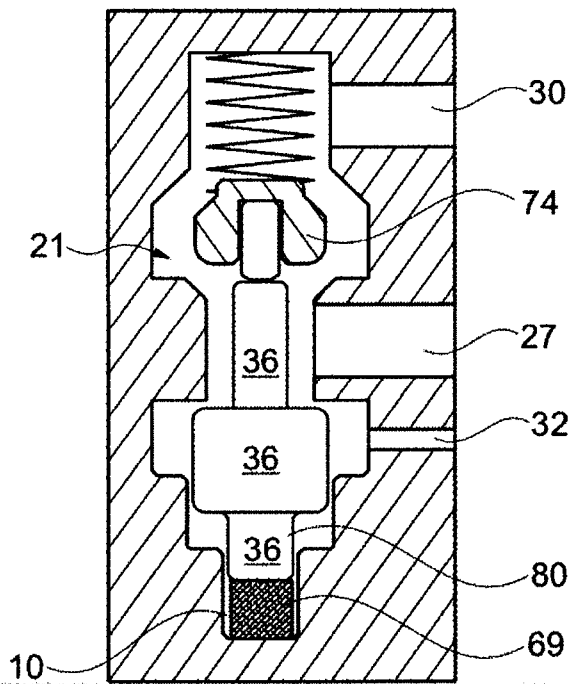


Fig. 14



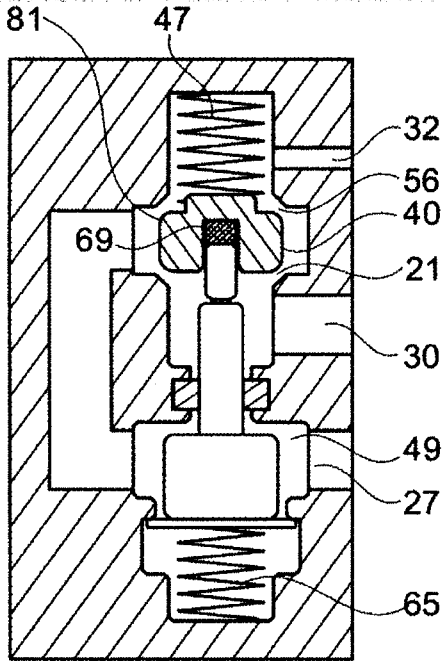


Fig. 15A

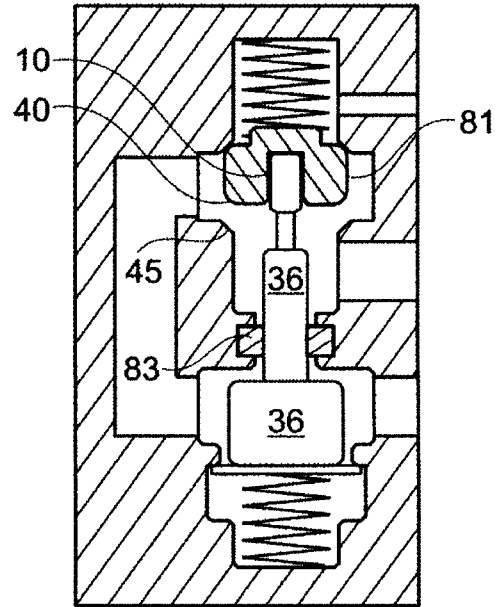


Fig. 15B

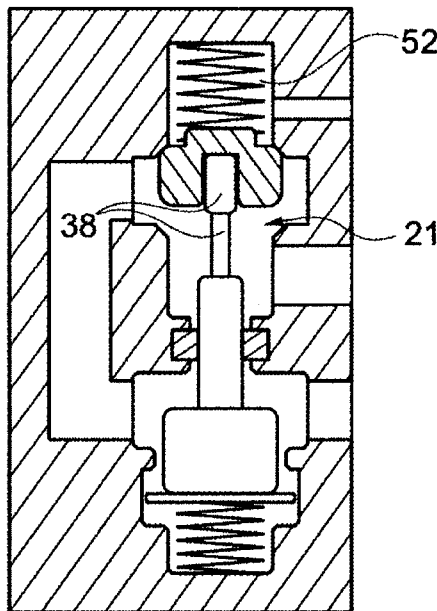


Fig. 15C

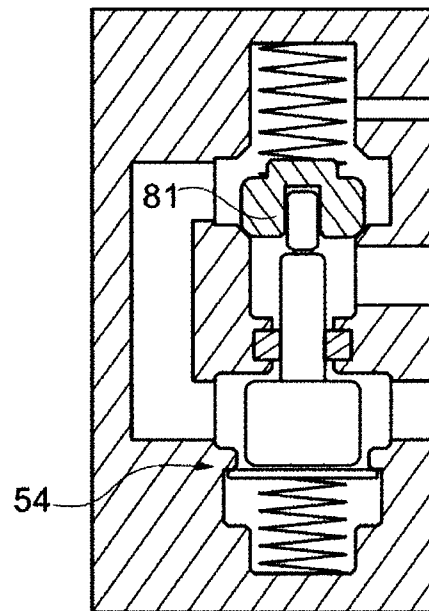


Fig. 15D

9/11

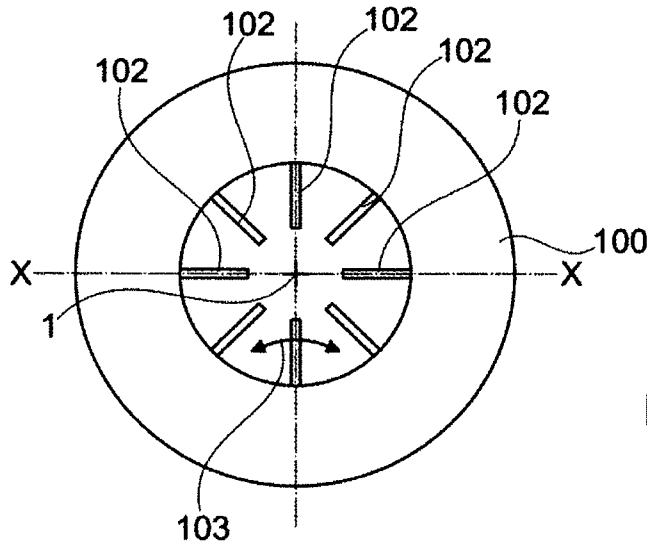


Fig. 17

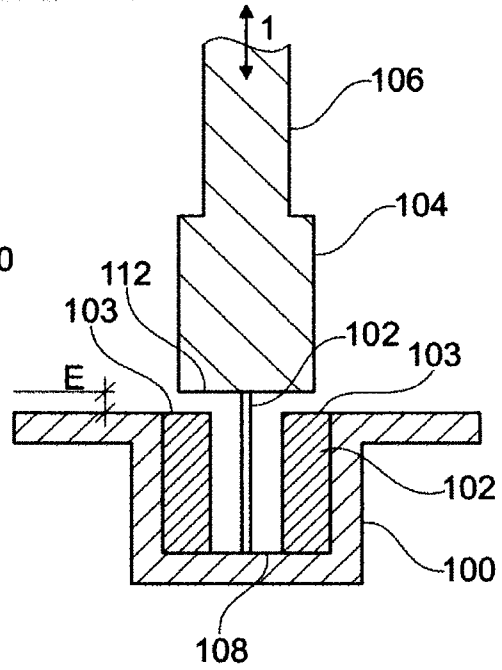


Fig. 18

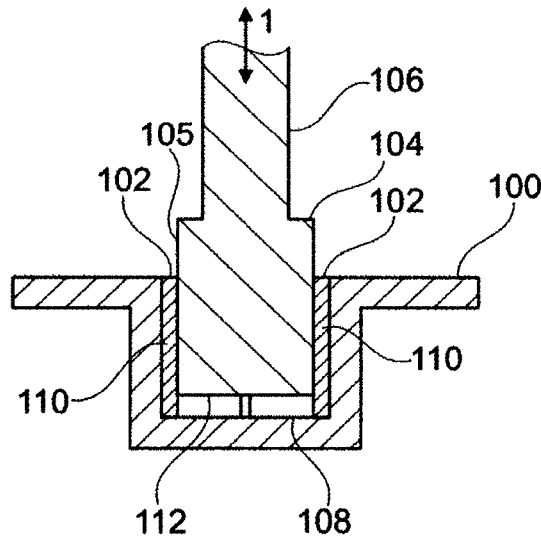


Fig. 19

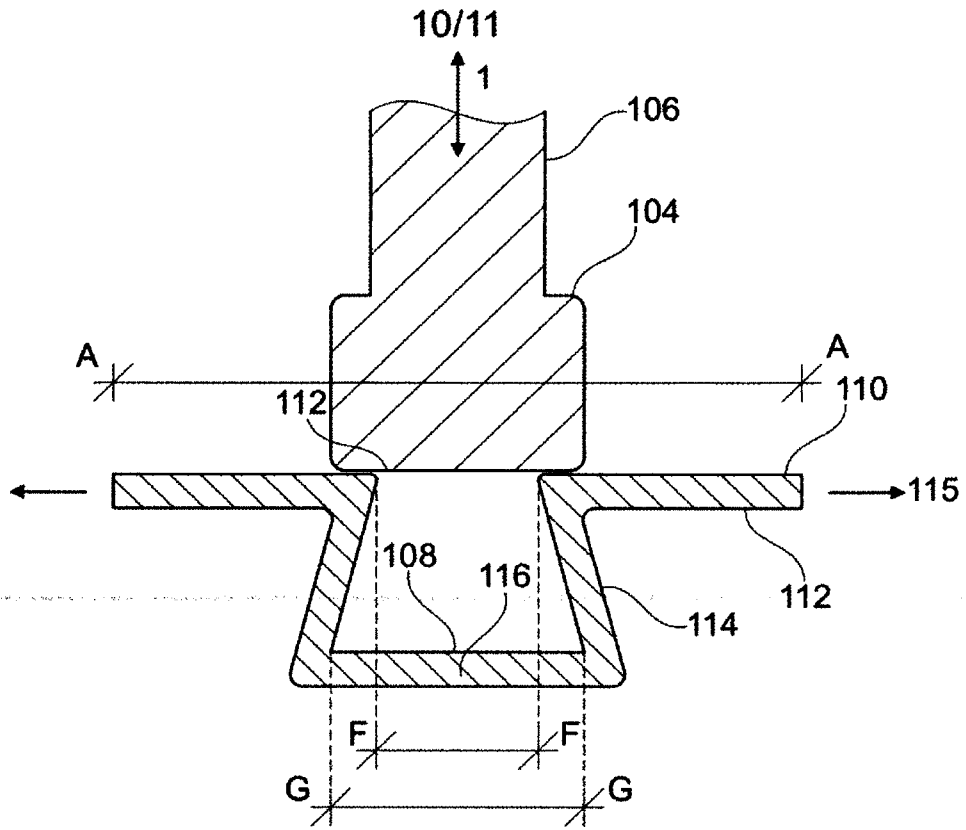


Fig. 20

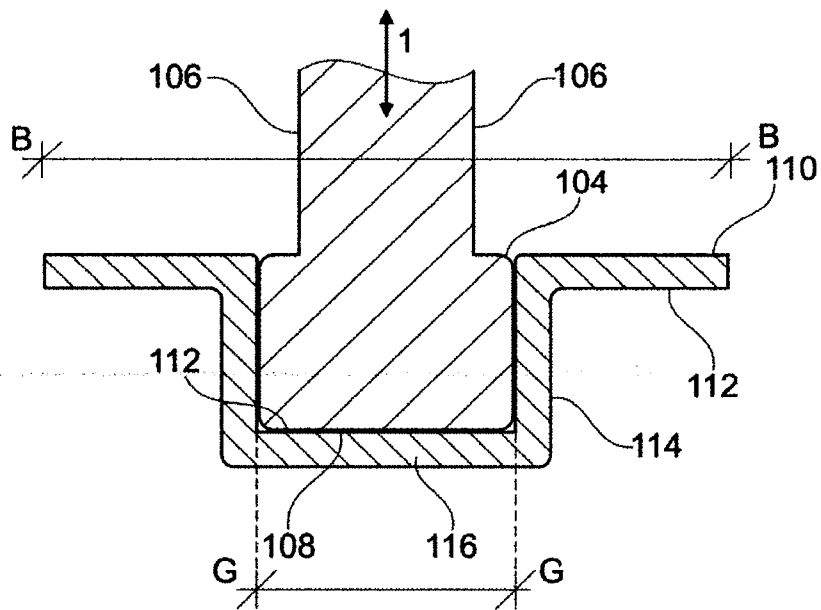


Fig. 21

