

DESCRIPTION

A fuel injection assembly for an internal combustion engine

5 The present disclosure relates to a fuel injection assembly for an internal combustion engine, particularly but not exclusively, for a gasoline direct injection internal combustion engine.

Fuel injection assemblies are widely used for injecting fuel into
10 an internal combustion engine, particularly having an injector for each cylinder of a multi-cylinder engine in which the fuel is supplied from a reservoir in the form of a common rail to which each of the injectors is connected. In known systems the injectors are secured directly to the cylinder head of the engine to project
15 into the combustion chamber. Such arrangements have a disadvantage in that noise generated by the injection and combustion process is transmitted through the engine to the exterior. In order to reduce noise transmission one known solution is to isolate the injector from direct mechanical connection with the
20 engine. One solution to this problem is to suspend the injector in a fuel rail injector cup which is itself secured to the fuel rail and the engine. In this way there is no direct mechanical coupling between the injector and the engine components.

25 A further problem arises in that it possible for the fuel injector to pivot about the axis of the injector cup during assembly. It is necessary for the fuel injector to be precisely positioned angularly relative to the injector cup so that the fuel injector fuel output is in the correct position for fuel injection into
30 the combustion chamber. In the known arrangements this is achieved by means of a further component known as an indexing clip. Such arrangements are shown for example in US Patent No. 8,479,710 and WO 2015/135732.

The present disclosure seeks to provide a fuel injection assembly which has fewer components than the known arrangement and/or which is easier and quicker to assemble, particularly in securing the fuel injector in the injector cup.

5

According to the present disclosure there is provided a fuel injection assembly having a longitudinal axis. The assembly comprises an elongate fuel injector having a fuel inlet port and a fuel outlet port, an injector cup, a holding element for
10 securing the fuel injector to the injector cup, and a spring clip.

The injector cup comprises a generally cylindrical body extending along the axis and having an upper and a lower end. It has a cavity at its lower end adapted to receive a fuel inlet port of the fuel
15 injector, a first opening or openings being formed in the peripheral wall of the injector cup for receiving the holding element. The cavity is in particular shaped by the peripheral wall. In an assembled state, the fuel inlet port may expediently be received in the cavity and the holding element is received in
20 the first opening or openings.

The holding element is generally U-shaped having two parallel or at least generally parallel arms. More specifically, each arm has a free end and the arms are connected at their ends opposite the
25 free ends by a web of the holding element to form the U-shape. The arms are adapted - i.e. in particular shaped and positioned - to engage opposite sides - i.e. in particular opposite lateral sides - of an annular groove in the fuel injector to secure the fuel injector in the injector cup. In case of the assembled fuel
30 injection assembly, the arms engage opposite sides of the annular groove. In an expedient embodiment, the arms are shaped and positioned so as to laterally embrace the fuel injector.

It is also conceivable that the fuel injector, has two separate grooves on opposite sides which the arms engage, without the groove extending completely circumferentially around the fuel injector. Such an embodiment shall also be covered by the
5 expression "opposite sides of an annular groove" in the present context.

In the present context, that the arms engage opposite sides of the lateral groove is in particular understood to mean that one
10 arm engages a first contact region of the groove and the other arm engages a second contact region of the groove, wherein the first and second contact regions are arranged in different half-spaces which are defined by a plane comprising the longitudinal axis and being parallel to a main extension direction
15 of the arms. In other words, the plane comprises the longitudinal axis and is perpendicular to a distance vector between the arms or the first and second contact regions, respectively. Preferably, the first and second contact regions do not overlap.

20 The arms and the web are in particular integrally formed, i.e. the holding element is in particular a one-pieced part. The expression "one-pieced" means in the present context that the holding element is not assembled from a plurality of parts which are connected to one another during the manufacturing process of
25 the holding element. Rather, the holding element is a single workpiece or made from a single workpiece. In particular, the holding element is a metal bracket.

The holding element is shaped and arranged such that, when
30 inserted in the injector cup, the free ends of the two arms of the holding element project from the injector cup, and have - adjacent the free ends - a retention arrangement engageable by the spring clip. In case of the assembled fuel injection assembly, the spring clip expediently engages the retention arrangement.

The spring clip has at least one depending leg engageable in a corresponding receiving part on the fuel injector to accurately locate the angular position the fuel injector relative to the injector cup. In case of the assembled fuel injection assembly, the depending leg expediently engages in the receiving part on the fuel injector.

Embodiments in accordance with this disclosure have the advantage of a low-cost solution to the known problems both in the cost of the individual components and in production assembly. Essentially connecting and indexing of the injector relative to the cup is achieved by means of two elements which are easy and economical to produce, namely the holding element, which consists of a - preferably flat - U-shaped element, and a spring clip which can be produced as a simple pressing from a sheet metal material which can be welded or brazed to the injector cup, or as a plastics moulding. Assembly of the fuel injector and injector cup is a simple two step operation; the injector is inserted in the injector cup, and the holding element is pushed into place to locate the injector in the injector cup.

In a preferred embodiment, the spring clip is secured, preferably welded and/or brazed, to the injector cup, in particular subsequent to accurately locating the spring clip on the injector cup. The spring clip may expediently be secured to an external surface of the peripheral wall of the injector cup. In this way, production of the assembly may be particularly cost-efficient.

In another preferred embodiment, the spring clip comprises a spring element which engages the retention arrangement. The spring element is in particular laterally compliant so that it is in particular operable to be laterally deflected when the holding element is inserted into the injector cup and to snap back

into engagement with the retention arrangement when the holding element has reached its final position.

In one embodiment, the spring clip comprises - and preferably consists of - a one-piece body incorporating the spring element, the depending leg and a locating section having therein at least one inspection opening to enable the quality of the brazing/welding of the clip to the injector cup to be inspected. The locating section preferably adjoins the injector cup or - in case of a brazed connection - at least the brazing material by means of which it is fixed to the injector cup; in particular it is in full-area contact with the injector cup and/or the brazing material. The spring element preferably projects away from the injector cup in radially outward direction. The depending leg preferably projects axially beyond the injector cup in direction towards the fuel outlet port of the fuel injector. In this way, the spring clip is at the same time multifunctional and particularly cost effective. The risk of failure of the fuel assembly during operation may be particularly small.

20

In one embodiment, the retention arrangement on the holding element comprises inwardly directed detents adjacent to the free ends of the two arms of the holding element, the spring element being engageable - and engaged in the assembled state of the assembly - in the inwardly directed detents. In the present context, "inwardly directed" means in particular that the detents face towards each other. In radial direction, the detents are preferably positioned between the injector cup and the free ends of the arms in the assembled state of the fuel injection assembly. With advantage, a secure releasable connection of the holding element to the injector cup by means of the spring clip may be easily established in this way.

30

In one embodiment, the spring clip includes two locating sections spaced in the longitudinal axial direction and each locating section may have two inspection openings. In a preferred embodiment, the locating sections are curved, having a radius of curvature to match that of the injector cup, in particular the curvature of the external surface of the peripheral wall.

In another embodiment, the spring clip has two depending legs in spaced parallel relationship, each leg being engageable in a corresponding receiving part on the fuel injector. In the assembled state of the fuel injection assembly, each leg engages the respective receiving part. Preferably, the receiving parts comprise recesses in the fuel injector. In one development, the recesses are formed in a plastics component part of the fuel injector. In this way, the recesses can be pre-formed in a mould from which the plastics component is manufactured. The recesses may expediently extend from an aperture through which the respective leg is inserted into the recess in longitudinal direction towards the fuel outlet port.

20

In one embodiment, the spring element is formed by opposing cantilevered sections having an arcuate profile, whilst in another embodiment, the cantilevered sections are substantially straight.

25

Preferred embodiments of the fuel injection assembly will now be described by way of example with reference to the accompanying drawings in which:

Figure 1 shows a perspective view of a fuel injection assembly according to a first exemplary embodiment,

Figure 2 shows a plan view of the fuel injection assembly according to the first embodiment,

30

Figure 3 shows a perspective view of a holding element,

Figure 4 shows a perspective view of a spring clip,

5

Figure 5A shows a sectional plan view of the fuel injection assembly according to the first embodiment, and

Figure 5B shows a sectional plan view of a fuel injection

10 assembly according to a second exemplary embodiment.

In the exemplary embodiments and figures, identical, similar or similarly acting constituent parts are provided with the same reference symbols. In some figures, individual reference symbols may be omitted to improve the clarity of the figures.

15

Referring now to the drawings, Figure 1 illustrates a fuel injection assembly according to a first exemplary embodiment of the invention in a perspective view.

20

The fuel injection assembly comprises a fuel injector cup 4 and a fuel injector 2 (only partly shown in Fig. 1) secured to the injector cup 4. The injector cup 4 consists of an elongate generally cylindrical body extending along a longitudinal axis

25

L.

A circumferential peripheral wall of the injector cup 4 has a recess 6 at its external side and adjacent its upper end. The injector cup 4 is rigidly secured and hydraulically connected to a common rail (not shown) of the fuel injection assembly through said recess 6. In other embodiments, the cup may be secured to the fuel supply by a connector on its top surface, for example via a drop pipe.

30

The fuel injector 2 comprises - rigidly connected to a valve body - an electrical connection block 8 which is formed of a moulded plastics material and has moulded therein two elongate grooves or recesses 10 extending in the direction of the longitudinal axis L. The recesses 10 extend from an aperture in axial direction towards a fuel outlet port of the fuel injector 2. A spring clip 18, referred to as an indexing clip, serves to locate the fuel injector 2 in the correct angular position relative to the injector cup 4 as described hereinafter.

10

The fuel injector 2 is inserted in the lower end of the injector cup 4 so that a fuel inlet port of the injector 2 (not visible in the figures) is positioned inside the injector cup 4. The fuel injector 2 is secured in the injector cup 4 by a holding element 12 illustrated in Figure 3. The holding element 12 consists of a one-pieced, U-shaped metal bracket having two generally parallel arms 14 extending from a web 15. The web 15 has shoulders 13 which, in the installed position abut the edges of an opening in the form of a slot 17 in the peripheral wall of the injector cup 4. The two arms 14 each have, at their free ends remote from the web 15, an inwardly facing detent 16 to thus provide two facing detents.

20

To assemble the fuel injector 2 to the injector cup 4, the inlet port of the fuel injector is inserted in a cavity of the injector cup 4 through an opening in the bottom of the injector cup 4. The cavity and the opening are shaped by the circumferential exterior wall.

25

The arms 14 of the holding element 12 are pushed through the slot 17 in the peripheral wall of the injector cup until the shoulders 13 abut the edges of the slot 17 as shown in Figures 5A and 5B. The free ends of the arms 14 project through a further slot 19 in the peripheral wall so that their inwardly facing detents 16

30

project laterally beyond the wall of the injector cup 4. In this assembled position, the arms 14 of the holding element engage on respective opposite sides of a groove on the fuel injector and thus locate the fuel injector 2 in the axial direction of the injector cup 4. It is also conceivable that the peripheral wall of the injector cup 4 has two through holes instead of the slot 17 and/or two further through holes instead of the further slot 19, each through-hole configured for receiving one of the arms 14.

10

Since the groove by which the holding element 12 engages the fuel injector 2 extends around the fuel injector 2, it is possible for the fuel injector to rotate about the longitudinal axis L relative to the injector cup 4. This is undesirable because it is necessary for the fuel injector 2 to be at the correct angular displacement when it enters the combustion chamber of the engine to ensure that the desired characteristics and direction of the fuel being injected are realised. In this disclosure the angular position of the fuel injector 2 relative to the injector cup 4 is determined by and maintained by the spring clip 18 as illustrated in Figure 4.

20

Referring now to Figure 4, there is shown a spring clip 18 formed from a one-piece body which may be formed of a moulded plastics material or a pressed metal but in this embodiment is formed of metal. The clip 18 has one face 20 which has an arcuate form with a radius which is substantially identical to that of the exterior wall of the injector cup 4. The spring clip 18 is welded or brazed to the injector cup 2. Other methods of securely bonding the spring clip to the injector cup such as adhesives may be used.

30

Spring clip 18 has two spaced locating sections 22 and 24 each of which has two inspection openings 26 which comprise inspection points to enable the quality of the brazing/welding of the clip

18 to the injector cup 2 to be inspected. The two locating section 22, 24 are positioned on opposite axial sides of the further slot so that the spring clip 18 partially covers the further slot 19, leaving portions of the further slot 19 uncovered in either
5 circumferential direction, the arms 14 extending through the uncovered portions.

Between the two locating sections 22 and 24 the clip 18 includes a spring element 28 which consists of two opposed curved
10 cantilever spring leaves 30 which engage in the detents 16 in the arms 14 of the holding element 12 to securely lock the holding element in the injector cup 2, as illustrated in Figure 5A.

The spring clip 18 has two parallel depending legs 32 which extend
15 parallel to the longitudinal axis L and engage in the grooves or recesses 10 in the fuel injector body 8. When the injector cup is being offered up, an indexing tab 33 on the fuel injection body 8 is located between and is engaged by the legs 32. In this way, the angular position of the fuel injector 2 relative to the
20 injector cup 4 is accurately located by the tab 33 in the desired angular position relative to the injector cup 4.

Assembly of the fuel injector to the injector cup is achieved very quickly in two steps. The fuel injector is inserted in the
25 injector cup and the holding element is then inserted in a push fit until the web shoulders 13 abut the cup wall, in which position the detents 16 are engaged by the spring clip 18. In the same step, any necessary angular movement of the fuel injector is made.

30 Figure 5B illustrates an alternative form of the spring element 28 with straight spring leaves, reference 34. This gives an alternative characteristic to the spring to give a desired spring rate.

In a further modification of the spring clip 18, the depending legs 34 are strengthened by increasing their cross-sectional area typically by including a web or raised section along the face away from the recesses 10, the web or raised section preferably being
5 thicker or more pronounced towards the root or base of the legs adjacent the lower locating section 24.

In another modification, the cup 2 has two openings which replace the slot 17 and the arms 14 are a push fit through these openings
10 until the web 15 abuts the outside of the injector cup.

CLAIMS

1. A fuel injection assembly having a longitudinal axis (L) and comprising
- 5 - an elongate fuel injector (2) having a fuel inlet port and a fuel outlet port,
- an injector cup (4),
- a holding element (12) for securing the fuel injector (2) to the injector cup (4), and
- 10 - a spring clip (18)
- wherein
- the injector cup (4) comprises a generally cylindrical body extending along the axis L and having an upper and a lower end, the cup (4) having a cavity at its lower end
- 15 adapted to receive a fuel inlet port of the fuel injector (2),
- a first opening or openings are formed in the peripheral wall of the injector cup for receiving the holding element (12),
- 20 - the holding element (12) is generally U-shaped having two generally parallel arms (14) shaped and positioned to engage opposite lateral sides of an annular groove in the fuel injector (2) to secure the fuel injector (2) in the injector cup (4),
- 25 - when inserted in the injector cup (4), the free ends of the two arms (14) of the holding element (12) project from the injector cup (4), and have adjacent the free ends a retention arrangement (16) engageable by the spring clip (18),
- 30 - the spring clip (18) has at least one depending leg (32) engageable in a corresponding receiving part (10) on the fuel injector (2) to accurately locate the angular position the fuel injector (2) relative to the injector cup (4).

2. A fuel injection assembly according to claim 1, wherein the retention arrangement (18) on the holding element comprises inwardly directed detents (16) adjacent to the ends of the two arms (14) of the holding element (12), the spring clip (18) having a spring element (28) engageable in the inwardly directed detents (16).
5
3. A fuel injection assembly according to claim 2, wherein the spring clip (18) comprises a one-piece body incorporating the spring element (28) and is securable to the injector cup.
10
4. A fuel injection assembly according to claim 3, wherein the spring clip (18) is securable to the injector cup (2) by brazing or welding and has at least one locating section (22) having therein at least one inspection opening (26) to enable the quality of the brazing/welding of the clip 18 to the injector cup 2 to be inspected.
15
5. A fuel injection assembly according to claim 4, wherein the spring clip (18) includes two locating sections (22, 24) spaced in the longitudinal axial direction and each locating section has two inspection openings (26).
20
6. A fuel injection assembly according to claim 3, 4 or 5 wherein the locating sections (22, 24) are curved, having a radius of curvature to match that of the exterior wall of the injector cup (4).
25
7. A fuel injection assembly according to any one of the preceding claims, wherein the spring clip (18) has two depending legs (32) in spaced parallel relationship, the legs (32) engaging on either side of an indexing tab (33) on the fuel injector body thereby to accurately locate the
30

angular position of the fuel injector (2) relative to the injector cup (4).

- 5 8. A fuel injection assembly according to any one of the preceding claims, wherein each leg is engageable in a corresponding receiving part (10) on the fuel injector (2), the receiving part or parts (10) comprise recesses in the fuel injector (2).
- 10 9. A fuel injection assembly according to claim 8, wherein the recesses are formed in a plastics component part of the fuel injector (2).
- 15 10. A fuel injection assembly according to any one of the preceding claims, wherein the spring element (18) is formed by opposing cantilevered leaf sections (30) having an arcuate profile.
- 20 11. A fuel injection assembly according to any one of the preceding claims 1 to 9, wherein the spring element is formed by opposing cantilevered leaf sections (34) which are substantially straight.

ABSTRACT

A fuel injection assembly for an internal combustion engine

5 A fuel injection assembly having a fuel injector (2), an injector cup (4) and a U-shaped holding element (12) for securing the fuel injector (2) to the injector cup (4) through slots in cup wall. The holding element (12) has two parallel arms (14) adapted to engage opposite sides of an annular groove in the fuel injector
10 (2) to secure the fuel injector (2) in the injector cup (4). When inserted in the injector cup (4), the free ends of the two arms (14) project from the injector cup (4) to be engaged by a spring clip (18) having at least one depending leg (32) engageable in a corresponding receiving part (10) on the fuel injector (2) to
15 accurately position the fuel injector (2) relative to the injector cup (4).

[Figure 1]

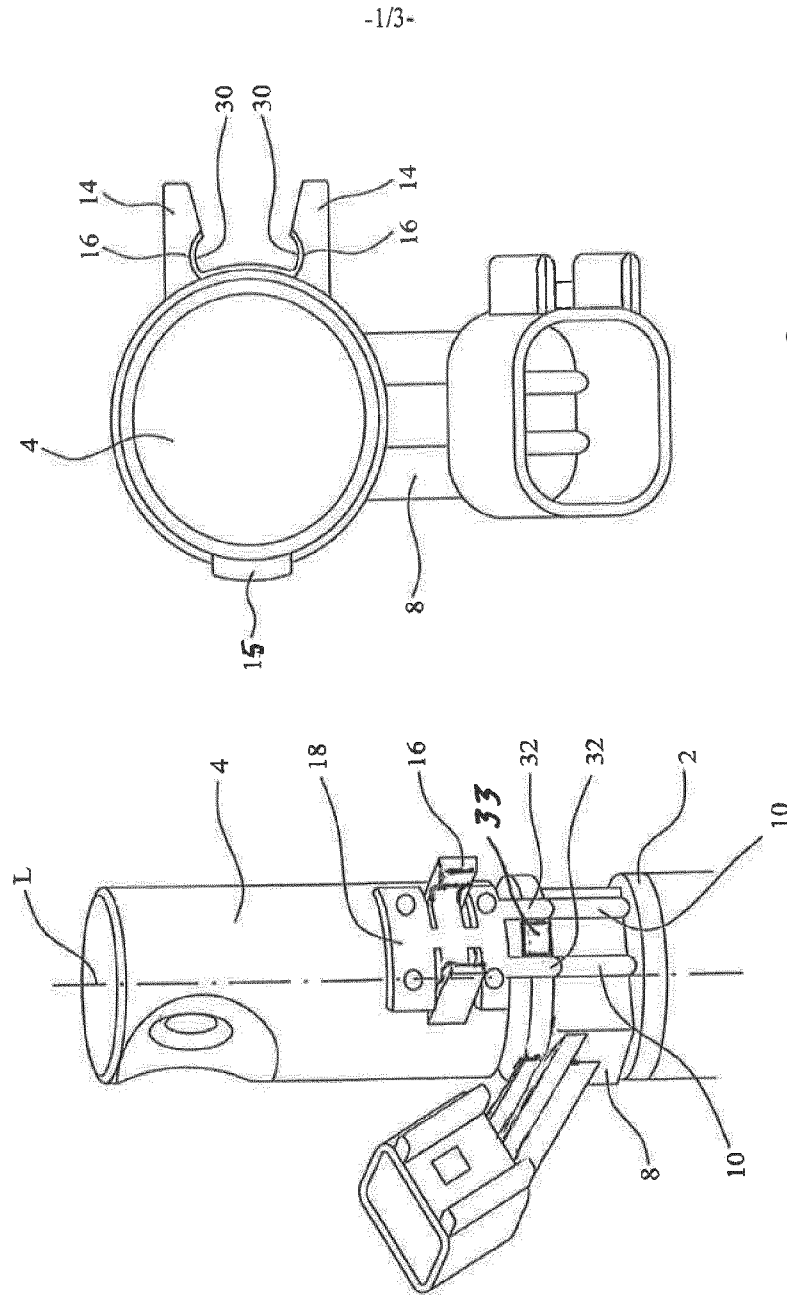


Fig. 2

Fig. 1

Fig. 3

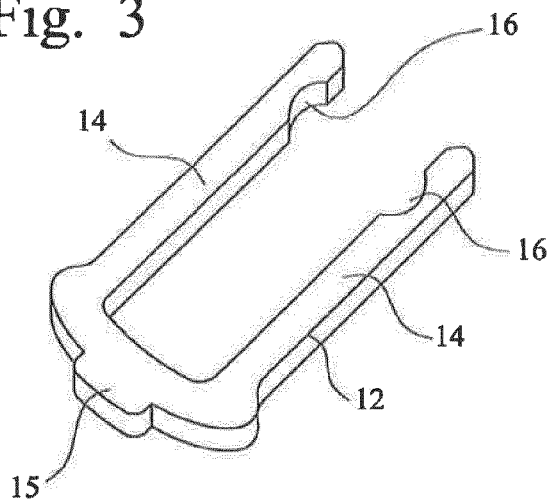
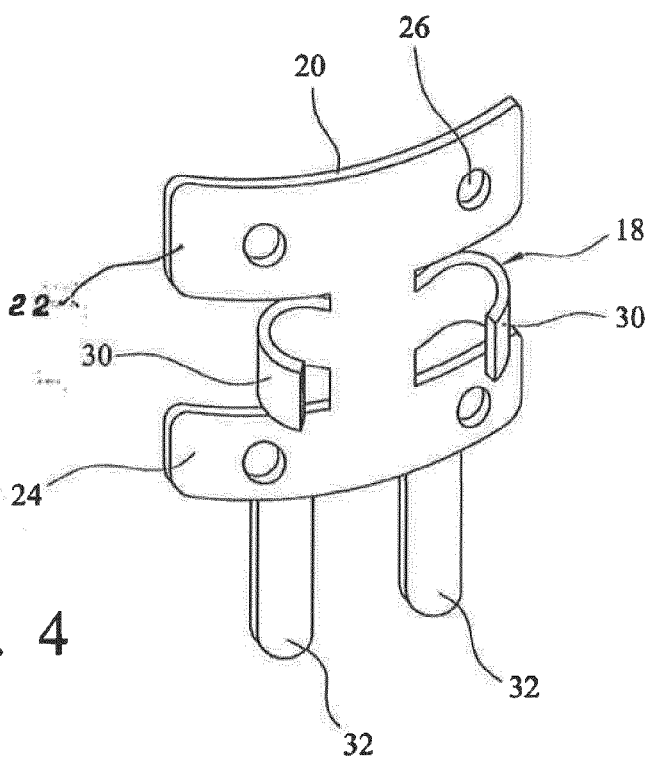


Fig. 4



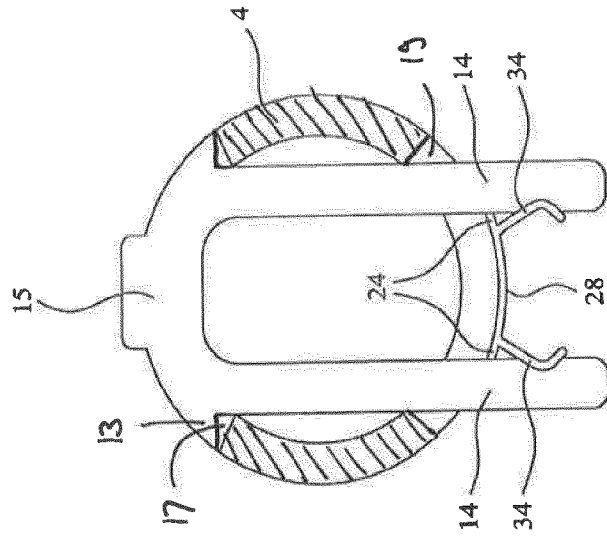


Fig. 5A

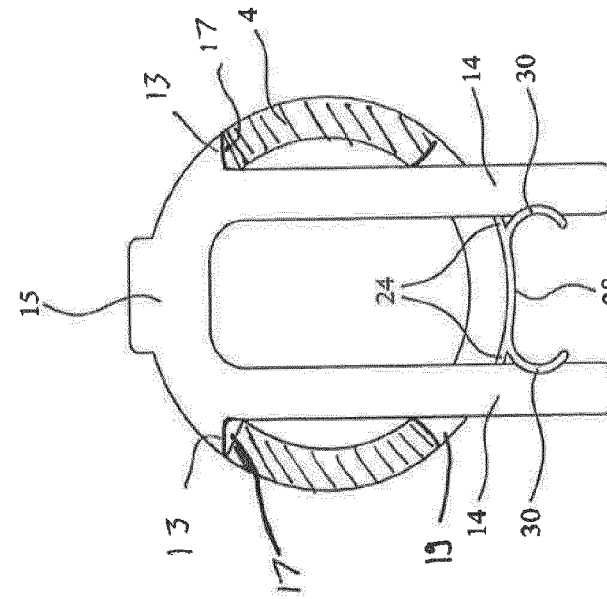


Fig. 5B