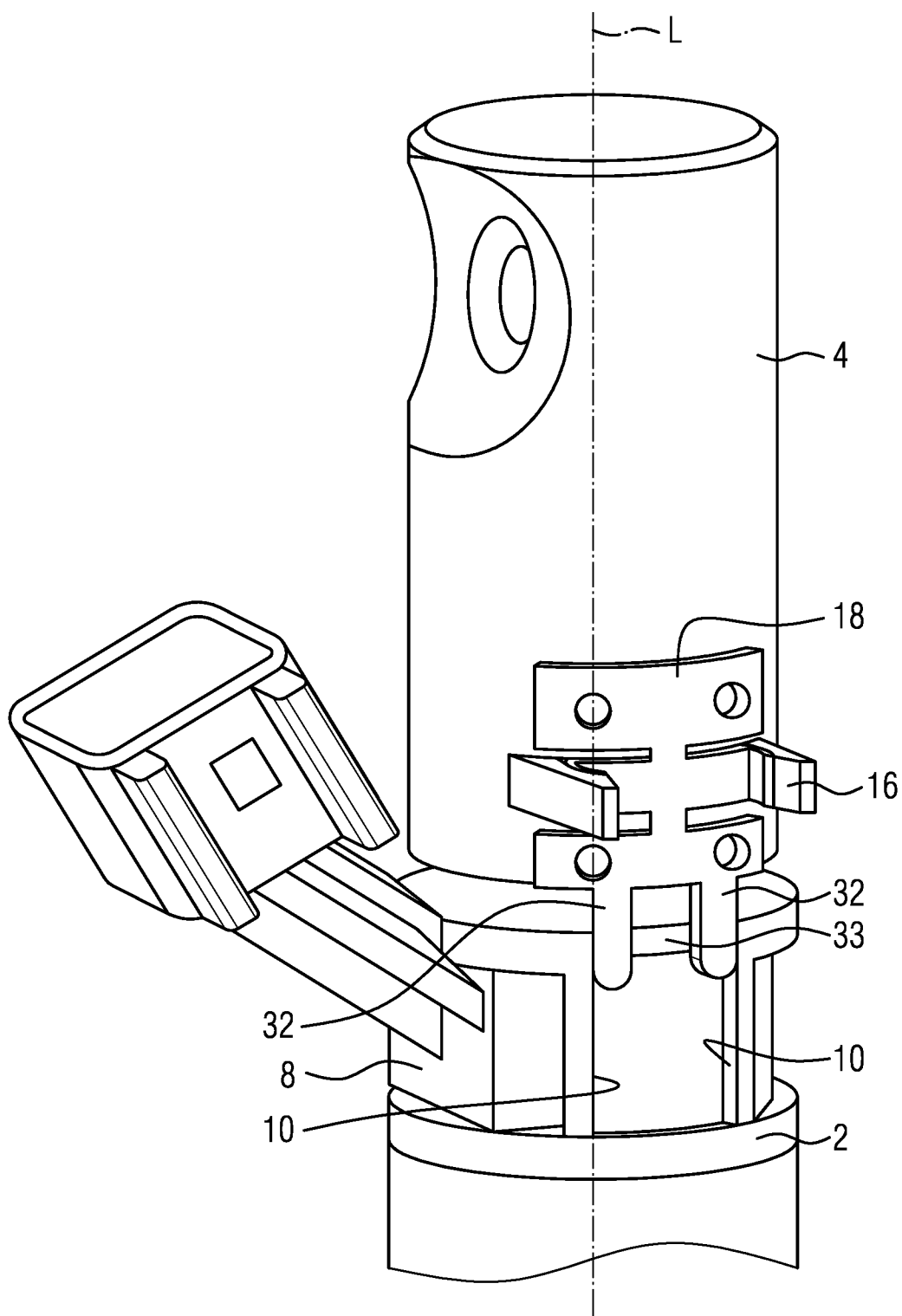


201602555

1/4

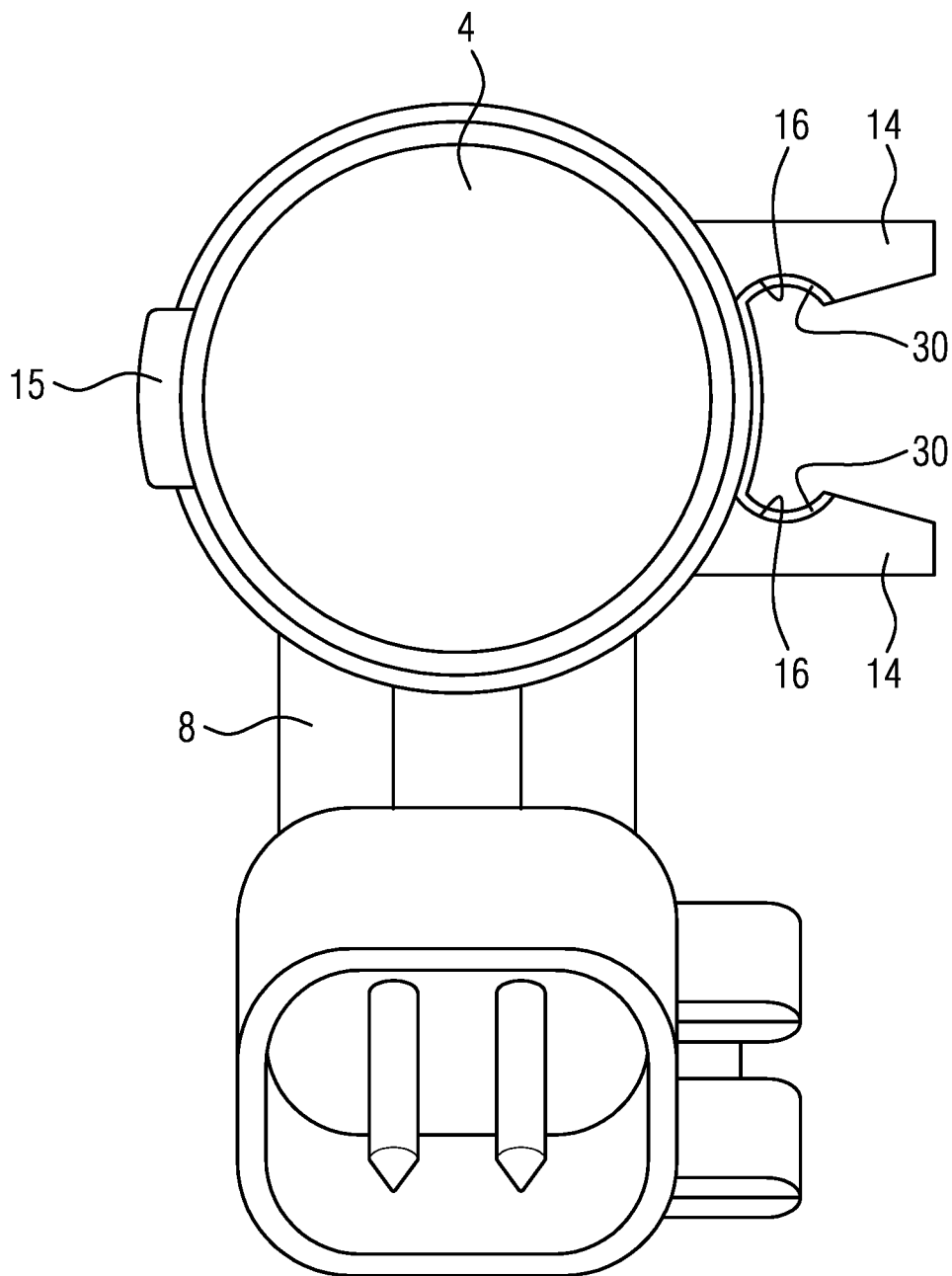
FIG 1



201602555

2/4

FIG 2



201602555

3/4

FIG 3

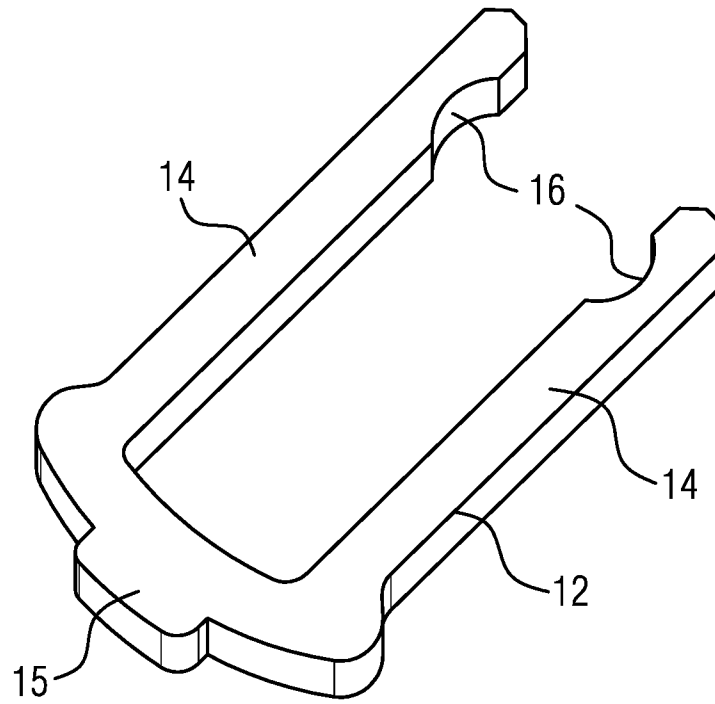
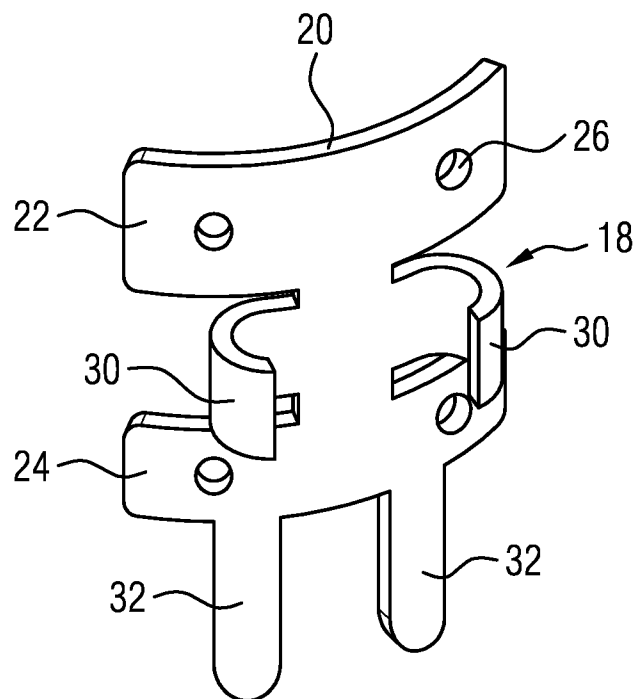


FIG 4



201602555

4/4

FIG 5A

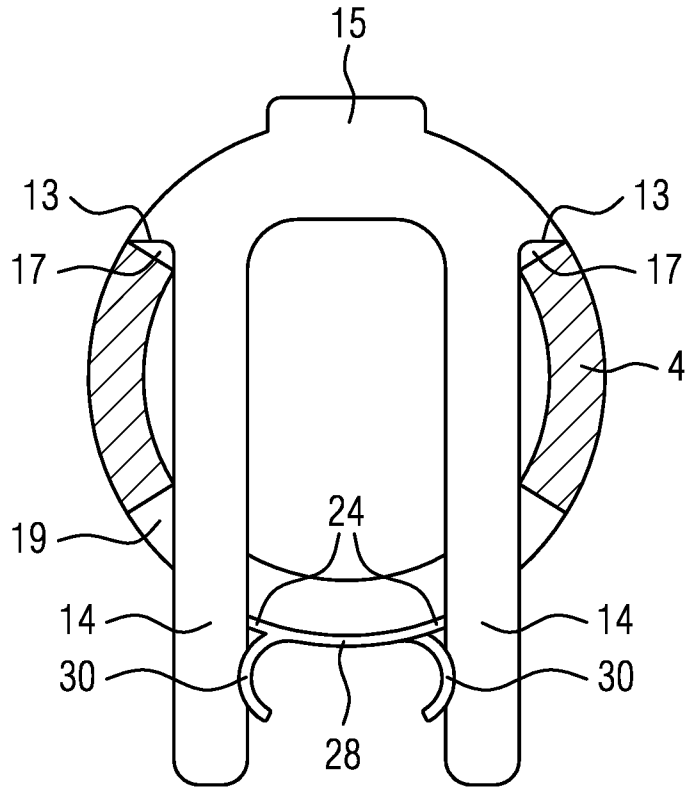


FIG 5B

