

CORRECTED VERSION

(19) World Intellectual Property Organization  
International Bureau



(10) International Publication Number  
WO 2018/044791 A8

(43) International Publication Date  
08 March 2018 (08.03.2018)

(51) International Patent Classification:  
A61M 1/00 (2006.01)

(21) International Application Number:  
PCT/US2017/048898

(22) International Filing Date:  
28 August 2017 (28.08.2017)

(25) Filing Language: English

(26) Publication Language: English

(30) Priority Data:  
62/381,118 30 August 2016 (30.08.2016) US

(71) Applicant: LIFECCELL CORPORATION [US/US]; 5 Giralda Farms, Madison, New Jersey 07940 (US).

(72) Inventors: FRIEDMAN, Evan; 22 Stone Drive, West Orange, New Jersey 07052 (US). JESSOP, Israel, James; 443 Cokesbury Road, Annandale, NJ 08801 (US). WANG, Kai-Roy; 347 Varick Street, Apt. 421A, Jersey City, NJ 07302 (US). BARERE, Aaron; 1027 Park Avenue, Hoboken, NJ 07030 (US). COLLINS, Brendan, P.; 384 Goffstown Road, Manchester, NH 03102 (US). HUGGER, Derek; 2 Timberwood Drive, Unit 304, Goffstown, NH 03045

(US). LABAK, Christopher; 11 Bear Hill Road, Brookline, NH 03033 (US). WOODRUFF, Scott; 1136 South Delano Court #815W, Chicago, IL 60605 (US).

(74) Agent: VAN EMAN, Matthew R. et al.; McCarter & English, LLP, 265 Franklin Street, Boston, MA 02110 (US).

(81) Designated States (unless otherwise indicated, for every kind of national protection available): AE, AG, AL, AM, AO, AT, AU, AZ, BA, BB, BG, BH, BN, BR, BW, BY, BZ, CA, CH, CL, CN, CO, CR, CU, CZ, DE, DJ, DK, DM, DO, DZ, EC, EE, EG, ES, FI, GB, GD, GE, GH, GM, GT, HN, HR, HU, ID, IL, IN, IR, IS, JO, JP, KE, KG, KH, KN, KP, KR, KW, KZ, LA, LC, LK, LR, LS, LU, LY, MA, MD, ME, MG, MK, MN, MW, MX, MY, MZ, NA, NG, NI, NO, NZ, OM, PA, PE, PG, PH, PL, PT, QA, RO, RS, RU, RW, SA, SC, SD, SE, SG, SK, SL, SM, ST, SV, SY, TH, TJ, TM, TN, TR, TT, TZ, UA, UG, US, UZ, VC, VN, ZA, ZM, ZW.

(84) Designated States (unless otherwise indicated, for every kind of regional protection available): ARIPO (BW, GH, GM, KE, LR, LS, MW, MZ, NA, RW, SD, SL, ST, SZ, TZ, UG, ZM, ZW), Eurasian (AM, AZ, BY, KG, KZ, RU, TJ, TM), European (AL, AT, BE, BG, CH, CY, CZ, DE, DK, EE, ES, FI, FR, GB, GR, HR, HU, IE, IS, IT, LT, LU, LV,

(54) Title: SYSTEMS AND METHODS FOR MEDICAL DEVICE CONTROL

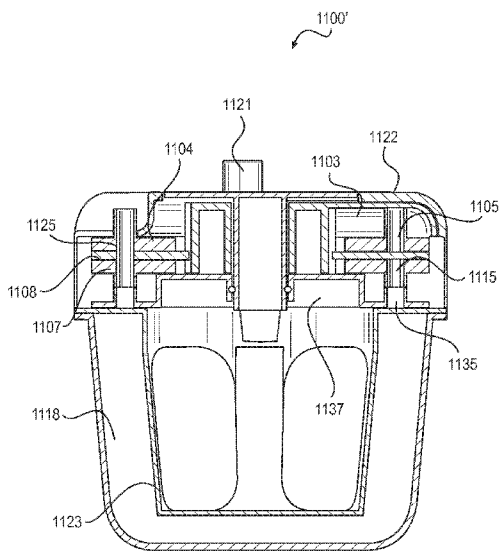


FIG. 12A

(57) Abstract: Systems, devices, and methods of the present disclosure assist with management of tubes and hoses during surgical procedures. The systems, devices, and methods provide for the proper opening and closing of tubes to facilitate performance of steps in a surgical procedure. Systems, devices, and methods of the present disclosure control fluid delivery to and from a medical device, including devices for tissue processing and cleaning.

WO 2018/044791 A8

MC, MK, MT, NL, NO, PL, PT, RO, RS, SE, SI, SK, SM,  
TR), OAPI (BF, BJ, CF, CG, CI, CM, GA, GN, GQ, GW,  
KM, ML, MR, NE, SN, TD, TG).

**Declarations under Rule 4.17:**

- *as to applicant's entitlement to apply for and be granted a patent (Rule 4.17(ii))*
- *as to the applicant's entitlement to claim the priority of the earlier application (Rule 4.17(iii))*

**Published:**

- *with international search report (Art. 21(3))*

**(48) Date of publication of this corrected version:**

17 January 2019 (17.01.2019)

**(15) Information about Correction:**

see Notice of 17 January 2019 (17.01.2019)