

REPLACEMENT SHEET 17/66

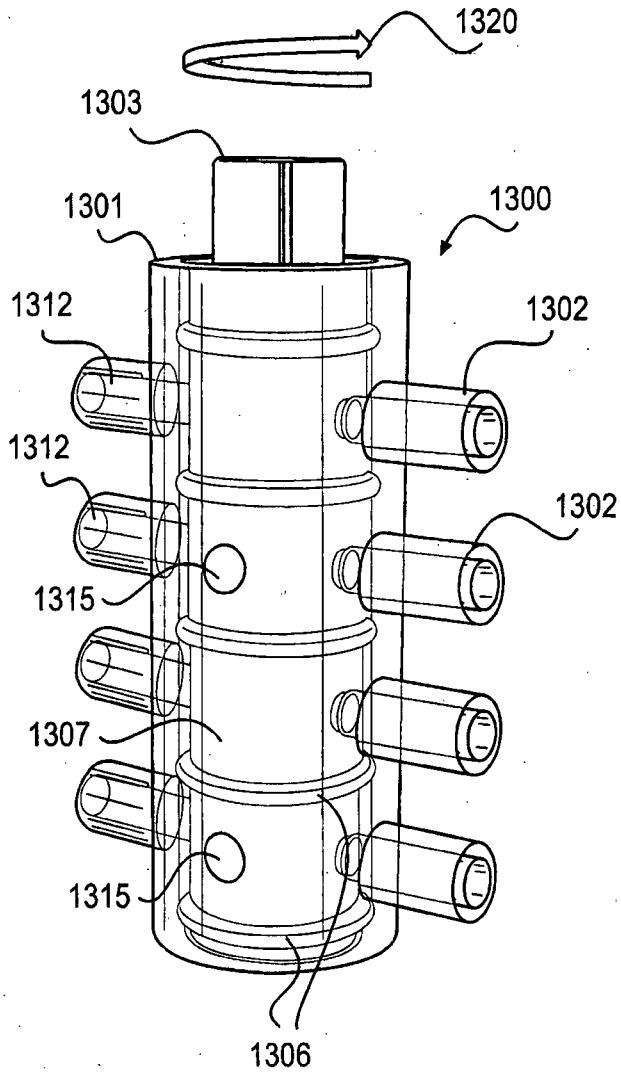


FIG. 13A

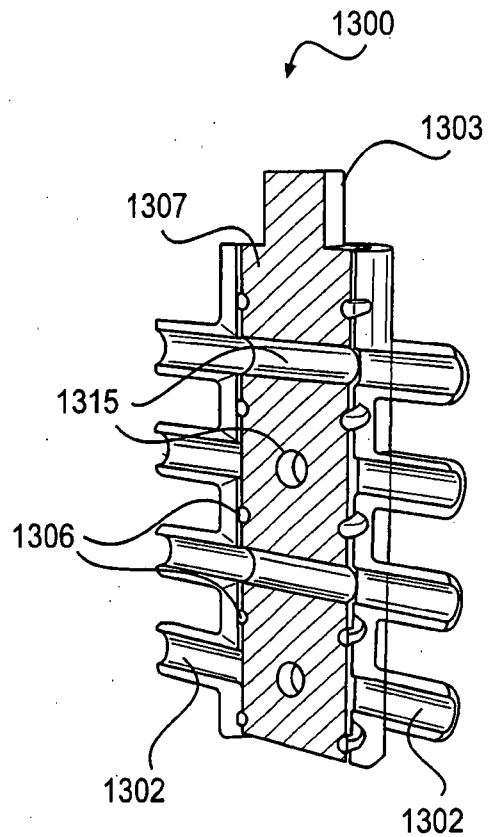


FIG. 13B