



(51) International Patent Classification:

H02J 7/00 (2006.01) *G06Q 20/20* (2012.01)
G07G 5/00 (2006.01) *G06Q 30/04* (2012.01)

(21) International Application Number:

PCT/EP2017/071473

(22) International Filing Date:

25 August 2017 (25.08.2017)

(25) Filing Language:

English

(26) Publication Language:

English

(30) Priority Data:

16473006.1 26 August 2016 (26.08.2016) EP

(71) Applicant: **CPD LTD.** [BG/BG]; 15-17, Tintyava str., 1113 Sofia (BG).

(72) Inventors: **VELEV, Ivaylo Emilov**; Debelo Guno str. 999, Pancharevo, 1137 Sofia (BG). **DOSEV, Ivan Georgiev**; zk. Druzhiba, 418, en. b, floor 6, ap.43, 1582 Sofia (BG).

(74) Agent: **BENATOV, Samuil Gabriel**; Asen Peykov Str., No 6, 1113 Sofia (BG).

(81) Designated States (unless otherwise indicated, for every kind of national protection available):

AE, AG, AL, AM, AO, AT, AU, AZ, BA, BB, BG, BH, BN, BR, BW, BY, BZ, CA, CH, CL, CN, CO, CR, CU, CZ, DE, DJ, DK, DM, DO, DZ, EC, EE, EG, ES, FI, GB, GD, GE, GH, GM, GT, HN, HR, HU, ID, IL, IN, IR, IS, JO, JP, KE, KG, KH, KN, KP, KR, KW, KZ, LA, LC, LK, LR, LS, LU, LY, MA, MD, ME, MG, MK, MN, MW, MX, MY, MZ, NA, NG, NI, NO, NZ, OM, PA, PE, PG, PH, PL, PT, QA, RO, RS, RU, RW, SA, SC, SD, SE, SG, SK, SL, SM, ST, SV, SY, TH, TJ, TM, TN, TR, TT, TZ, UA, UG, US, UZ, VC, VN, ZA, ZM, ZW.

(84) Designated States (unless otherwise indicated, for every kind of regional protection available):

ARIPO (BW, GH, GM, KE, LR, LS, MW, MZ, NA, RW, SD, SL, ST, SZ, TZ, UG, ZM, ZW), Eurasian (AM, AZ, BY, KG, KZ, RU, TJ, TM), European (AL, AT, BE, BG, CH, CY, CZ, DE, DK, EE, ES, FI, FR, GB, GR, HR, HU, IE, IS, IT, LT, LU, LV, MC, MK, MT, NL, NO, PL, PT, RO, RS, SE, SI, SK, SM, TR), OAPI (BF, BJ, CF, CG, CI, CM, GA, GN, GQ, GW, KM, ML, MR, NE, SN, TD, TG).

(54) Title: LOW VOLTAGE FISCAL DEVICE

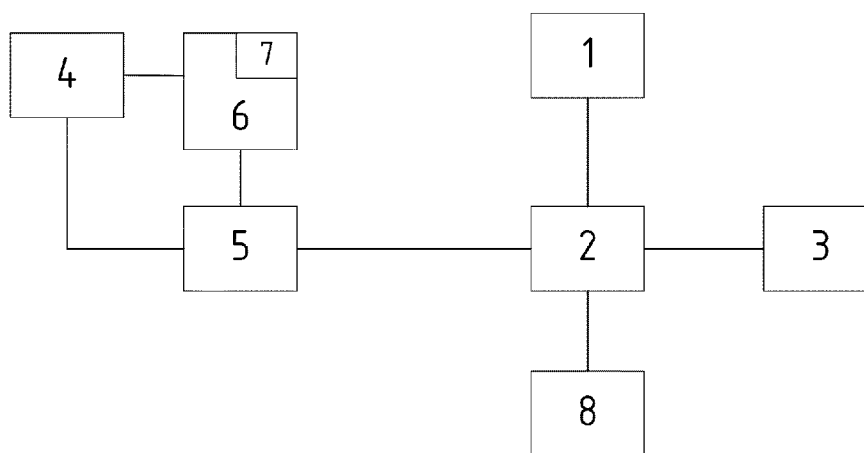


Fig. 3

(57) Abstract: Low voltage fiscal device applicable for both public and private needs, intended to be used for fiscal data collection and processing. The device comprises one or more means for data input (1) as a built-in or external peripheral device, data processing block (2), fiscal memory (3), input for charge and/or power supply (4) for attaching to a source of electrical power supply source, power supply block (5) adapted to convert and distribute voltage to all internal blocks of the fiscal device and peripheral devices. The input power supply is a low voltage input that provides direct current and direct voltage with values up to essentially 5.5V, wherein all internal blocks of the fiscal device and peripheral devices are adapted for power supply with direct current and direct voltage with values of up to essentially 5.5V. Preferably, the input for charge and/or power supply (4) is a standard USB port with the possibility to receive and transmit data from and to external devices.



Declarations under Rule 4.17:

- *as to the identity of the inventor (Rule 4.17(i))*
- *as to applicant's entitlement to apply for and be granted a patent (Rule 4.17(ii))*
- *as to the applicant's entitlement to claim the priority of the earlier application (Rule 4.17(iii))*
- *of inventorship (Rule 4.17(iv))*

Published:

- *with international search report (Art. 21(3))*

LOW VOLTAGE FISCAL DEVICE

TECHNICAL FIELD OF THE INVENTION

- 5 A low voltage fiscal device is applicable for both public and private needs and is intended to be used for fiscal data collection and processing.

BACKGROUND OF THE INVENTION

- In many countries such as Bulgaria, Romania, Macedonia, Ethiopia, Montenegro,
10 Serbia local tax legislation requires using of electronic cash registers with fiscal memory (fiscal devices) for recording and control of commercial operations (for example sales of goods and services).

- The present fiscal devices usually comprise the following basic building blocks: power supply block, central processing unit, fiscal memory, communication block,
15 block for communication with peripheral (external) devices, printing mechanism, block with additional logic for arithmetic and logical operations and monitoring.

- Fiscal memory (as used in the present specification) is a non-volatile memory specifically designed and registered to operate with only one fiscal device. The fiscal memory must be mounted in a separate module with solid opaque walls,
20 permanently marked with an individual number and with the possibility of reliable sealing as it is an integral part in the overall design of the fiscal device.

- All data stored in the fiscal memory must be software and hardware protected and must be impossible to change and/or delete any data already recorded in it. To protect the data in the fiscal memory from physical access, the fiscal memory,
25 together with the fiscal device control logic containing the fiscal device firmware, must be placed in a heat-shrink sleeve or covered with epoxy resin and sealed in such a way that it cannot be dismounted without an evidence. The seal itself, called fiscal seal should be placed in a prominent position allowing easy non-destructive visual control/inspection.

- 30 All protective measures in regards with the fiscal memory are taken due to the sensitive data recorded in the fiscal memory. The sensitive data itself represents, for example, the amounts for sold goods and/or services due to be taxed, individual

fiscal number of the fiscal memory and the fiscal device, other sensitive data related with the fiscal device hardware and taxpayer. The data in the fiscal memory is stored in separate records (blocks) for each day of operation and each record has predefined specific structure, for example type of the record, date, time, total amount, total taxable amount by VAT groups, number of operative memory resets,
5 number of VAT rates changes, number of the last fiscal document issued, checksum of the record and other.

The removal of fiscal memory is performed under string regulatory procedure by an authorized person.

10 At present all fiscal devices are powered from both alternating and direct voltage. When the voltage is alternating, usually the mains power supply is used, which is essentially 230V (or 110V depending on the power network and the electrical standards adapted by the country for which the fiscal device is intended for).

Another known solution is the use of an external power adapter, which lowers the
15 mentioned alternating mains voltage to a lower value, e.g. 18V.

Both known solutions, however, require the input (mains power supply) alternating voltage to be lowered first, depending on its value, and secondly – converted into direct voltage, which inevitably leads to losses from both conversions. This imposes integration, in the circuit of the known fiscal devices, of transforming blocks such as
20 transformers with different conversion factors and rectification components to realize the rectification and stabilization of the alternating voltage. Also, if at least one transformer is used in the circuit solution, this requires the whole construction to conform to its mechanical size, which usually are considerable. Furthermore, the use of a transformer leads to an increase of the total weight of the fiscal device due
25 to the nature and the mechanical characteristics of the materials used for the manufacturing of the transformer.

In other known solutions an external adapter is used to transform directly alternating voltage to direct voltage, wherein the output direct voltage has values essentially above 7V.

30 In all above mentioned cases, the power supply voltage on the input of the fiscal device is with the mentioned value essentially above 7V. This value is applied as an input for the power supply block of the fiscal devices. The attachment to the power

supply block of the alternating mains voltage or the external adapter is strongly individual and depends on the mechanical characteristics and geometrical size of the electrical wires and contact terminals that are used. This provides for hundreds of ways of attaching the output voltage from the mains power supply network or the external adapter to the fiscal device. Thereby, in case of failure of the connecting wires and/or terminals (elements) of the mains power supply or power adapter, to 5
repel the failure, the user has to find exactly identical to the original ones attaching wires and/or terminals (elements). As known, each component manufactured is only kept in stock by manufacturers for a certain period before its manufacturing 10
stops it or, in best case scenario, a new equivalent is being introduced. This could cause a delay in the failure repealing until the exact attaching element or its equivalent is found and moreover, it could cause inconvenience from inability to register or report of fiscal operations - sales of goods and services.

In the known fiscal devices, the direct voltage applied to the input of the power supply block with values above 7V is transformed by increasing it or lowering it to 15
different values that are needed for each of the building blocks of the fiscal device – central processing unit, battery block, printing mechanism, etc. For example, in order to provide the necessary voltage and normal operation of the printing mechanism, it is required the battery block to provide voltage with value essentially 20
7V. To ensure this voltage it is required first several battery cells to be in a serial connection in order to increase the resultant voltage. This complicates the construction of the fiscal device as more physical space would be needed as well as extra mechanical attachments would be required for mounting the mentioned more than one battery cells. The increase and decrease of the input mains power 25
supply voltage is done by the respective voltage convertors, wherein it is known that with each increase or decrease of the voltage there are losses of electrical energy on one hand, and complication of the circuit solution, on the other, due to the addition of extra electrical components - passive and/or active. In addition, when connecting the mentioned battery cells, it is necessary to take measures for 30
their proper charging with the respective balancing charge circuit solutions, which makes the task even more complicated.

The power supply block also ensures voltage for the central processing unit, the block for communication with peripheral (external) devices, the block for additional

logic for arithmetic and logic operations and monitoring, the fiscal memory, the GSM/GPRS module and other. For decades, these blocks have been working essentially with voltage up to 5V, which requires the power supply voltage in the existing solutions to be lowered. This is achieved, again, by the addition of extra
5 components - passive and/or active, which adjust the voltage from the power supply block and/or the battery block to the values necessary for operating of the mentioned blocks and devices.

Depending on their application, the fiscal devices are required to communicate with external peripheral devices. This is achieved via a separate communication port for
10 which must be provided at least one separate attaching terminal mechanically located inside the fiscal device housing. This makes the construction of the fiscal device more complex as the respective communication components are required also be added – semiconductor integrated circuits (SICs) which provide the communication standard for communication with the external device. The
15 mentioned semiconductor integrated circuits, depending on the communication standard are required to provide voltage with positive or negative sign. These are either provided by the respective integrated circuit for the standard being used or by the power supply block. In both cases ensuring these voltages is achieved by decreasing or increasing of the voltage which again leads to losses.

20

SUMMARY OF THE INVENTION

The task of the present invention is to provide a compact low voltage fiscal device with low voltage power supply input with direct voltage values of up to 5.5V, preferably a standard USB port, with a simplified design with standard, widely
25 spread on the market components, and increased efficiency and energy savings.

An additional aspect to this task is providing of a universal input for charge and/or power supply, which is also used as an input and output of data.

Another task of the invention is ensuring of a battery block of the fiscal device which is adapted to be directly charged from the input power supply in order to increase
30 the battery cells charge efficiency.

Another task of the invention is providing of a power supply directly to some of the blocks of the fiscal device without increasing the voltage.

These and other tasks are solved by designing a low voltage fiscal device for collection and processing of fiscal data, which comprises from one or more means for data input, a data processing block, fiscal memory, an input for charge and/or power supply for attachment to electrical power source, power supply block with a voltage/current regulator, adapted to convert and distribute the voltage to the internal blocks of the device, a battery block which accumulates electrical energy with at least one battery cell and a printing mechanism. According to the invention the input for charge and/or power supply is a low voltage input for direct voltage of up to essentially 5.5V, wherein all internal blocks of the fiscal device are adapted for power supply, directly or indirectly from the input for charge and/or power supply, by direct voltage of up to essentially 5.5V, without increase of the voltage.

In one embodiment, the printing mechanism is adapted to be directly connected to the low voltage input for charge and/or power supply, without increase of the voltage, and in another embodiment, the printing mechanism is adapted to be directly connected to the battery block, without increase of the voltage.

Preferably, the input for charge and/or power supply is standard USB port, which can be additionally adapted for data transmission from and to external devices.

In one embodiment, the input for charge and/or power supply is connected to provide voltage directly only to the battery block, wherein the battery block is adapted to power the internal blocks of the device through the power supply block.

In another embodiment the input for charge and/or power supply is connected to provide voltage only to the power supply block, wherein the power supply block is adapted to charge the mentioned at least one battery cell of the battery block.

Preferably, for the last described embodiment, the voltage of the abovementioned at least one battery cell of the battery block is selected in such a way that it allows charging of the battery block directly from the low voltage input for charge and/or power supply, via the voltage/current regulator of the power supply block, without increase of the voltage.

In a third embodiment the input for charge and/or power supply is connected directly to provide voltage to the battery block, without increase of the voltage, as well as to the power supply block, wherein the battery block is connected to provide

voltage to the power supply block.

It is possible that the fiscal device includes additionally in its configuration one or more of the following modules: data visualization device and wireless communication module for data exchange.

- 5 In one embodiment, the wireless communication module is adapted to be connected directly to the low voltage input for charge and/or power supply, without voltage conversion, and in another embodiment, the wireless communication module is adapted to be directly connected to the battery block, without voltage conversion.
- 10 It is possible that the battery block comprises from two or more battery cells, which form a battery pack, in which the battery cells are connected in such a way that the battery pack is with an increased maximum current and capacity while keeping the same output voltage.

The described construction allows to be used a low power source in combination
15 with a widespread standard USB port for communication, as well as for charge and/or power supply. In case it faults, it can be easily replaced by a charging device for a smartphone or a tablet or a cable for connection to a personal computer.

The use of one port for both communication and charge and/or power supply,
considerably simplifies the construction of the fiscal device and makes the
20 communication easier as a widespread communication protocol is used.

With the proposed solution for power supply and attachment, and the subsequent voltage distribution in the low voltage fiscal device the number of used components is considerably decreased, the efficiency of the low voltage fiscal device is increased when using the electrical energy of the power supply source.

25

BRIEF DESCRIPTION OF THE DRAWINGS

The device according to the invention is described in details and it is illustrated by means of preferred embodiments, given as non-limiting examples of scope of the invention, with reference to the accompanying drawings, wherein:

- 30 Fig. 1 is a block scheme of the fiscal device according to the invention in its first embodiment in which the input for charge and/or power supply is connected to

provide voltage directly the battery block.

Fig. 2 is a block scheme of the fiscal device according to the invention, in its second embodiment, wherein the input for charge and/or power supply is connected to provide voltage only to the power supply block.

- 5 Fig.3. is a block scheme of the fiscal device according to the invention, in its third embodiment, wherein the input for charge and/or power supply is connected to provide voltage to both the battery block and to the power supply block.

Fig. 4 is a block scheme of the fiscal device according to the invention, in a modification of the third embodiment, wherein the printing mechanism and wireless
10 communication module are directly connected to the input for charge and/or power supply.

Fig. 5 is a block scheme of the fiscal device according to the invention, in a different modification of the third embodiment, wherein the printing mechanism and the wireless communication module are connected to the battery block in order to be
15 power supplied.

Fig. 6 is a block scheme of the fiscal device according to the invention, in a different modification of the third embodiment, wherein the printing mechanism and the wireless communication module are connected to the power supply block in order to be power supplied.

20

EMBODIMENTS OF THE INVENTION

The fiscal device according to the invention is an electronic device made of electromechanical units, connected in a certain way, incorporating semiconducting components – active and passive, and enclosed in one and the same protective
25 housing, and the device itself is low voltage and operates with voltage of essentially up to 5.5 V.

The low voltage fiscal device (figures 1, 2 or 3) comprises the following common blocks: at least one means for data input 1, a data processing block 2, for example central processing unit, fiscal memory 3, an input for charge and/or power supply 4
30 for attaching to electrical power source, a power supply block 5, adapted to convert and distribute the voltage towards the other internal blocks of the fiscal device, a

battery block 6 with at least one battery cell 7, and a printing mechanism 9. Additionally, the fiscal device could include other blocks such as: a communication block 10, a printing mechanism 9 and means for data visualization 8, e.g. a display. According to the invention the input for charge and/or power supply 4 is a low
5 voltage input for power supply with direct voltage with values up to essentially 5.5V, wherein all internal blocks of the fiscal device are adapted for power supply with direct voltage with values up to essentially 5.5V.

Preferably, the low voltage input is a standard USB port. In this case the input for charge and/or power supply have attaching terminals, which are according to the
10 USB specification. Even more preferred is the aforementioned standard USB port, except for charge and/or power supply and also to be adapted for data transmission from and to external devices.

The low voltage fiscal device receives power supply from power supply source, which could be the mains power supply network through the power supply adapter,
15 external electrical energy storage device, or any other device that is connected to the electrical power supply network or has its own battery block and can supply power with direct voltage and values up to essentially 5.5V. The power supply is provided through a USB cable or another connector designed for direct current and direct voltage power supply, which is connected to the low voltage input of the low
20 voltage fiscal device, which could be standard USB port or another connector designed for direct current and direct voltage power supply.

The use of just one and the same port for both communication and charge and/or power supply significantly simplifies the construction of the fiscal device and facilitates the communication due to the use of widely spread communication and
25 interface protocols.

After the voltage source is connected, the power supply is provided to the battery block and/or power supply block, where it is split and distributed to the other blocks of the device, such as the central processing unit, the printing mechanism (in the embodiments in which it is present), etc.

30 According to the invention there are several ways to provide the current from the input for charge and/or power supply 4 to the other blocks of the devices.

First embodiment, shown in figure 1

The input for charge and/or power supply 4 is connected directly only to the battery block 6, i.e. from the input for charge and/or power supply 4 the voltage is provided directly to the battery block 6. For this purpose, the battery block 6 is adapted with
5 logical analog-to-digital circuits (LADC) to be charged directly by the current, which is provided through the input for charge and/or power supply 4, without the need to convert the voltage. Then the battery block provides voltage to the power supply block 5, which distributes it and/or lowers the voltage to be supplied to other internal blocks of the device such as the central processing unit.

10

Second embodiment, shown in figure 2

The input for charge and/or power supply 4 is connected directly only to the power supply block 5. In this embodiment, the current, provided through the input for charge and/or power supply 4 is then provided directly to the power supply block 5,
15 which distributes it and/or lowers it to supply the other internal blocks of the fiscal device. The power supply block 5 is adapted to charge the battery cells 7 of the battery block 6 and for this purpose the power supply block 5 has a voltage/current regulator. Furthermore the power supply block 5 is adapted also to be provided with current from the battery block 6, for the cases when the fiscal device is not
20 connected to a current source or if the voltage provided on the input for charge and/or power supply is insufficient to supply the blocks of the fiscal device.

In this embodiment the voltage of the battery cells 7 of the battery block 6 is chosen in such a way that it allows charging the battery block 6 directly from the low voltage input for charge and/or power supply 4 through the voltage/current regulator of the
25 power supply block 5 without increasing the voltage.

Third embodiment, shown in figure 3.

The input for charge and/or power supply 4 is connected directly with the battery block 6, without increasing the voltage, as well as to the power supply block 5. As in
30 the first embodiment, the battery block 6 is charged directly from the input for charge and/or power supply 4. Furthermore the power supply block 5 is powered directly from the input for charge and/or power supply 4 and provides the power

supply for the rest of the internal blocks of the fiscal device. At the same time the battery block 6 is connected to the power supply block 5, in order to charge it in cases the fiscal device is not connected to a power supply source or when the voltage of the input current is insufficient to supply the blocks of the fiscal device.

- 5 The fiscal device can be provided with a device for data transfer via a wireless transmission medium, designed as communication module 10, which turns on/off the GSM/GPRS communication module, wherein the communication module could be compatible with third generation mobile telecommunication technology (3G). Moreover, the communication module 10 could also include Bluetooth[®], Wi-Fi, NFC
10 (Near Field Communication), etc.

In all of the three described embodiments of the invention, the printing mechanism 9 or the wireless communication module 10, with appropriately chosen electrical characteristics, could be provided with power supply in several ways:

- directly from the input for charge and/or power supply 4, respectively without
15 increasing or converting the voltage (figure 4);
- directly from the battery block, respectively without increasing or converting the voltage (figure 5), or
- through the power supply block 5 (figure 6).

In all mentioned variants the printer and the other periphery should perform their
20 predefined functions. Therefore the total power consumption from the internal fiscal device blocks should be met and the operating voltage should not drop lower than a certain threshold.

For example in the known solutions for powering the fiscal devices and respectively the printing mechanism with voltage with value of at least 7V and the printing
25 mechanism consumes again 15W in total, the current that is going to be drained is around 2A.

If the printing mechanism is connected directly for power supply from the battery block and it consumes 15W in total for proper operation and the minimum voltage that the battery block can reach is 3V, the current that is going to be drained from
30 the battery block is 5A. The minimum voltage of 3V that the battery block can reach is determined from the minimum operating voltage of the integrated circuits (IC)

used in the electronic circuit design. Usually the ICs stop operation when the voltage drops below 2.8V. Therefore these conditions require solving the challenge of draining so much current from the battery block without creating big voltage drop in it and disrupting the operation of the other integral blocks of the fiscal device. If
5 the battery block is drained with current of 5A and it has internal resistance of 100 milliohms, then the voltage drop will be 0.5V.

When the battery block 6 includes two or more battery cells 7, they form a battery pack. In a preferable embodiment the battery cells 7 are connected in such a way that the battery block 6 is with increased maximum current and capacity, while
10 keeping the same resulting output voltage. Depending on the power supply source are defined the modes of charge and discharge from the battery block 6.

In addition, the power supply block 5 could be adapted to control the charge and discharge of the battery block 6, via actuating mechanisms which are set as a limit values on parameters stored in the internal registers of power supply block 6. Such
15 are the charge current, admissible current consumed by the external power supply source, temperature of the battery pack, etc. Also, different values are set for the charging circuit, detection of the external power supply. This is ensured with logical analog-to-digital circuits (LADC). The power supply block 5 is configured by the central processing unit 2 which sends data and commands to the power supply
20 block 5.

Additionally, the power supply block 5 could incorporate protective elements in its circuit such as fuses, coupling elements for attaching of the battery block, socket for the battery block and other mechanical fittings for securing the individual building blocks.

25 The reference numbers of the technical features which are given in the claims only for the purpose to increase the understanding of the claims and therefore these reference numbers have no limiting effect in terms of the interpretation of the elements, marked with these reference numbers.

Patent Claims

1. Low voltage fiscal device for input and processing of fiscal data, comprising one or more means for data input (1), a data processing block (2), a
5 fiscal memory (3), an input for charge and/or power supply (4) for attaching to a source of electrical power supply, a power supply block (5) with a voltage/current regulator adapted to convert and distribute the voltage to internal blocks of the device, a battery block to accumulate electrical energy (6) with at least one battery cell (7), and a printing mechanism (9) **characterized in that** the input for charge
10 and/or power supply (4) is a low voltage input for direct voltage with values up to essentially 5.5V, wherein all internal blocks of the fiscal device are adapted to be provided with power supply, directly or indirectly from the input for charge and/or power supply (4), with direct voltage and values up to essentially 5.5V, without increasing the voltage.

15

2. Low voltage fiscal device according to claim 1 **characterized in that** the printing mechanism (9) is adapted to be directly connected to the low voltage input for charge and/or power supply (4), without increasing the voltage.

20

3. Low voltage fiscal device according to claim 1 **characterized in that** the printing mechanism (9) is adapted to be directly connected to the battery block (6), without increasing the voltage.

25

4. The low-voltage fiscal device according to claim 1, 2 or 3, **characterized in that** the input for charge and/or power supply (4) is a standard USB port.

30

5. Low voltage fiscal device according to claim 4, **characterized in that** said standard USB port, used for charge and/or power supply, is also adapted to receive and transmit data from and to external devices.

35

6. Low voltage fiscal device according to any of the previous claims **characterized in that** the input for charge and/or power supply (4) is connected to provide voltage directly to the battery block (6) only, wherein the battery block (6) is adapted to supply the internal blocks of the device through the power supply block (5).

7. Low voltage fiscal device according to any of the claims from 1 to 5 **characterized in that** the input for charge and/or power supply (4) is connected to provide voltage to the power supply block (5) only, wherein the power supply block
5 (5) is adapted to charge the aforementioned at least one battery cell (7) of the battery block (6).

8. Low voltage fiscal device according to claim 7 **characterized in that** the voltage of said at least one battery cell (7) of the battery block (6) is selected in
10 such a way that it allows charging the battery block (6) directly from the low voltage input for charge and/or power supply (4) through the voltage/current regulator of the power supply block (5), without increasing the voltage.

9. Low voltage fiscal device according to any of the claims from 1 to 5
15 **characterized in that** the input for charge and/or power supply (4) is connected directly to provide voltage both to the battery block (6), without increasing the voltage, and to the power supply block (5), wherein the battery block (6) is also connected to supply voltage to the power supply block (5).

20 10. Low voltage fiscal device according to any of the previous claims **characterized in that** it additionally comprises means for data visualization (8) and/or a wireless communication module (10) for data transfer.

11. Low voltage fiscal device according to claim 10 **characterized in that**
25 the wireless communication module (10) is adapted to be directly connected to the low voltage input for charge and/or power supply (4), without increasing the voltage.

12. Low voltage fiscal device according to claim 10 **characterized in that** the wireless communication module (10) is adapted to be directly connected to the
30 battery block (6), without converting the voltage.

13. Low voltage fiscal device according to any of the previous claims **characterized in that** the battery block (6) comprises two or more battery cells (7), forming a battery pack, wherein the battery cells are connected in such a way that
35 the battery block (6) is with increased maximum current and capacity while keeping the same resulting output voltage.

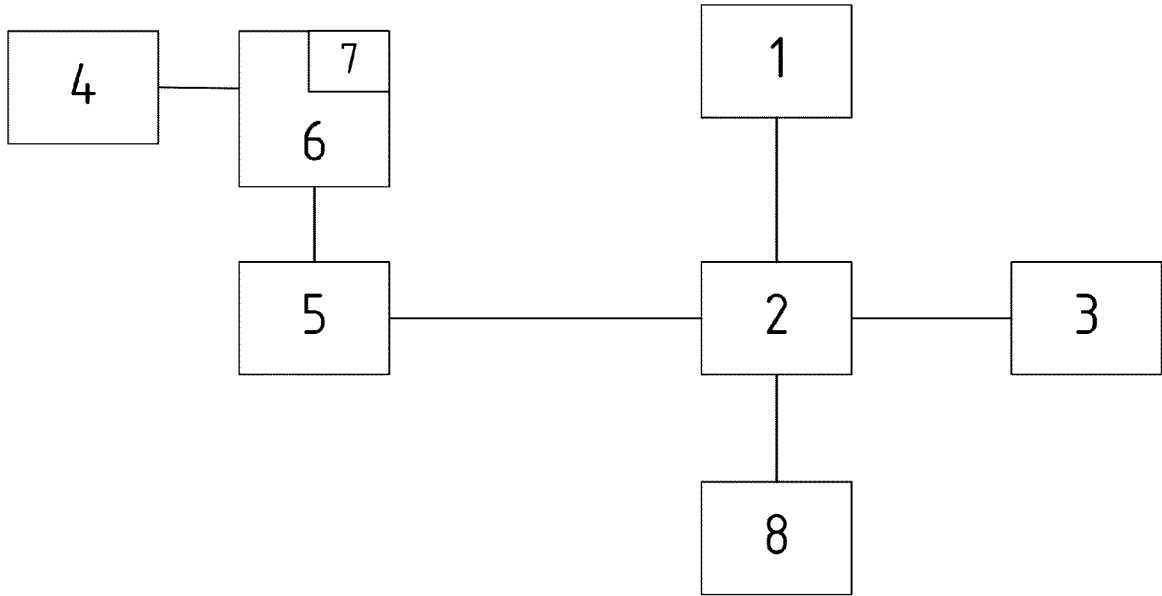


Fig. 1

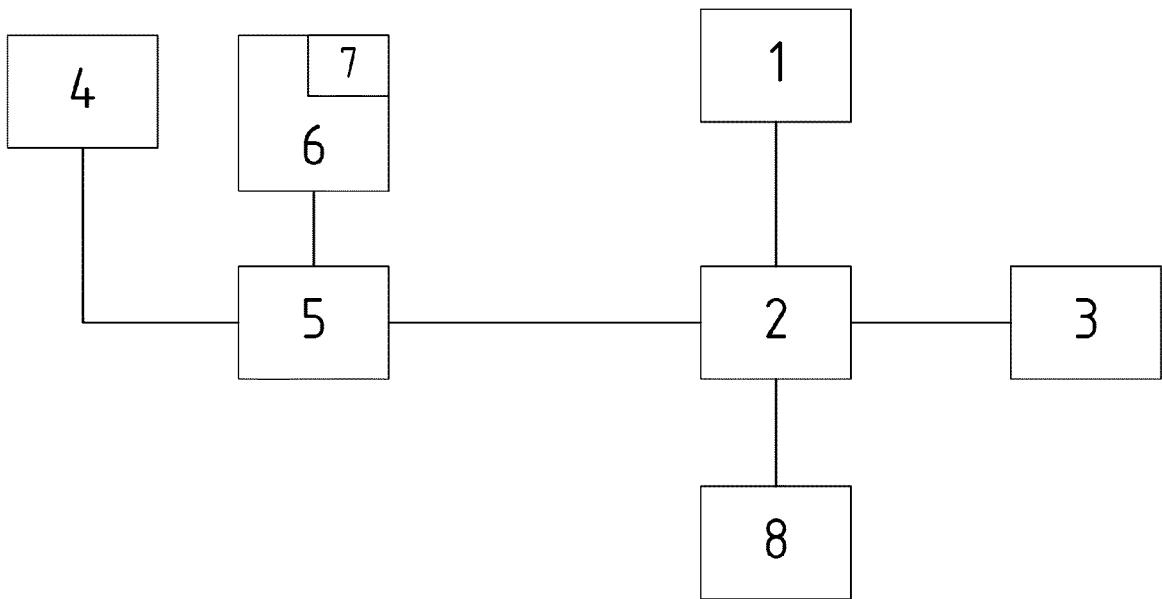


Fig. 2

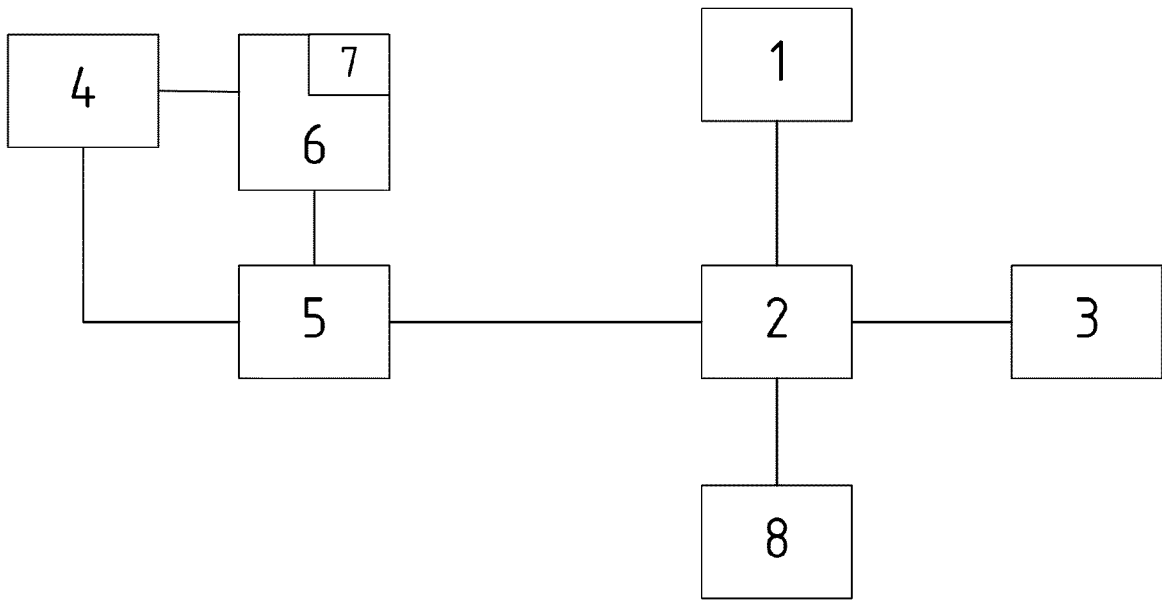


Fig. 3

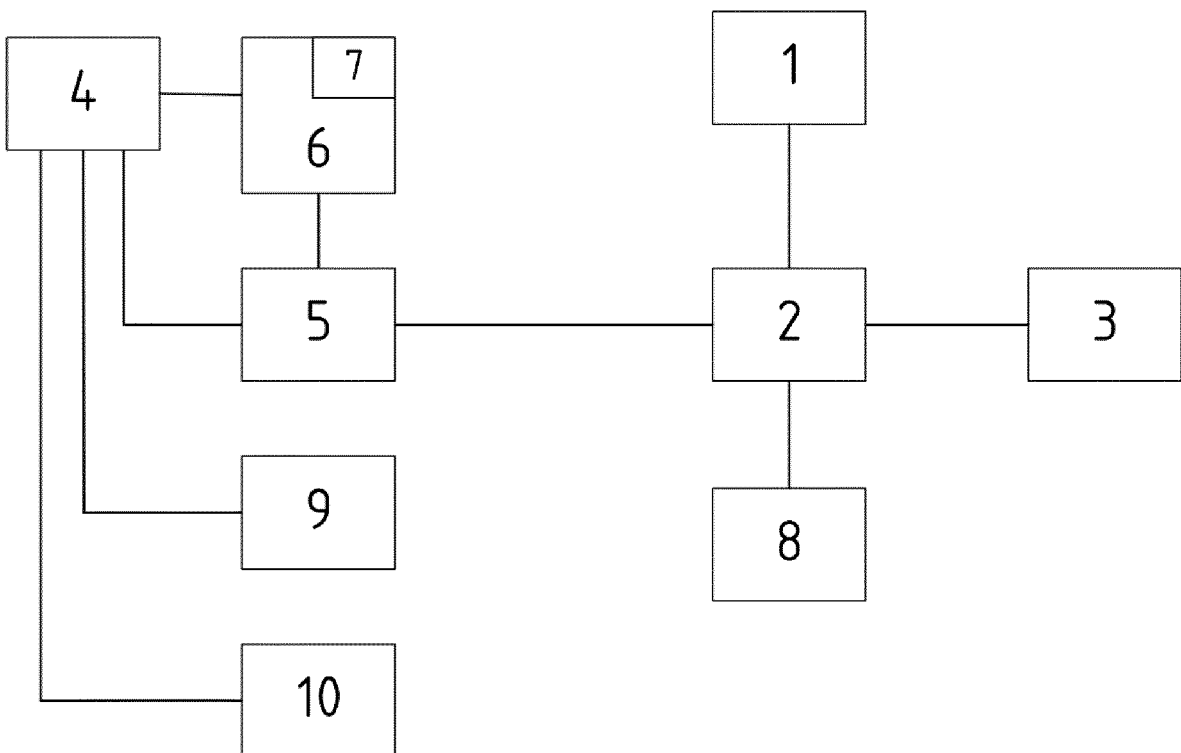


Fig. 4

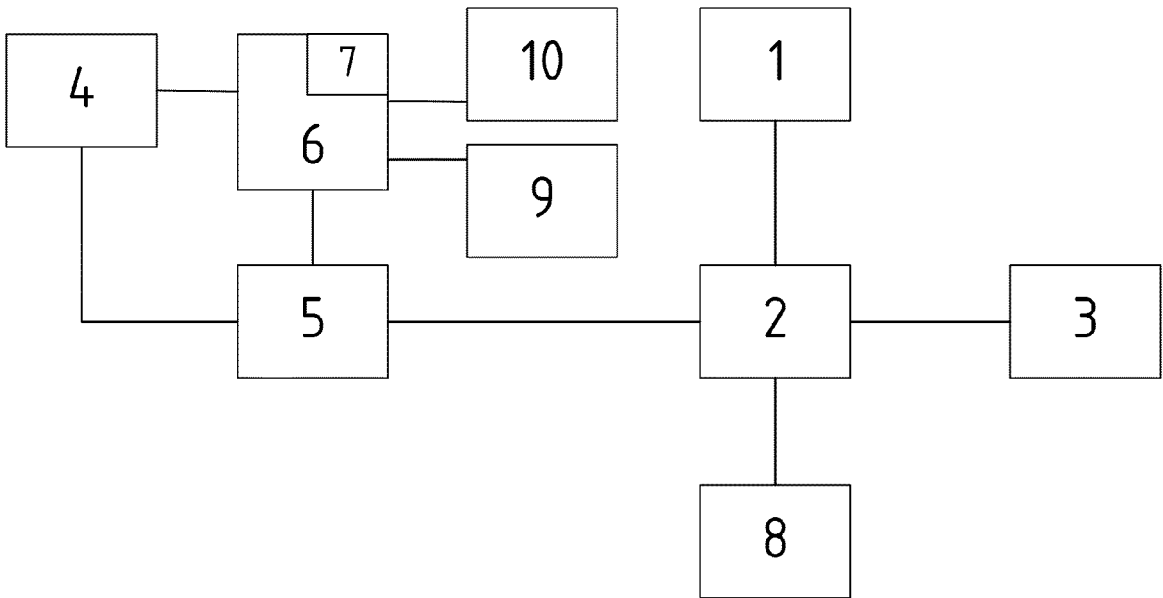


Fig. 5

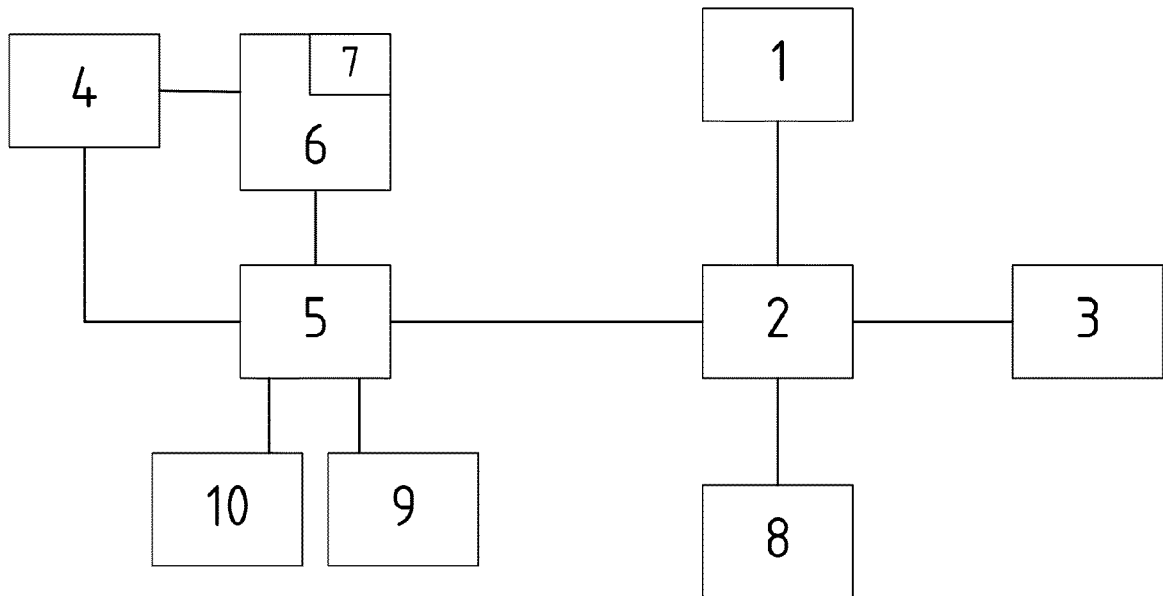


Fig. 6

INTERNATIONAL SEARCH REPORT

International application No
PCT/EP2017/071473

A. CLASSIFICATION OF SUBJECT MATTER
INV. H02J7/00 G07G5/00 G06Q20/20 G06Q30/04
ADD.
According to International Patent Classification (IPC) or to both national classification and IPC

B. FIELDS SEARCHED
Minimum documentation searched (classification system followed by classification symbols)
H02J G07G G06Q

Documentation searched other than minimum documentation to the extent that such documents are included in the fields searched

Electronic data base consulted during the international search (name of data base and, where practicable, search terms used)
EPO-Internal, WPI Data

C. DOCUMENTS CONSIDERED TO BE RELEVANT

Category*	Citation of document, with indication, where appropriate, of the relevant passages	Relevant to claim No.
X	US 9 092 766 B1 (BEDIER OSAMA [US] ET AL) 28 July 2015 (2015-07-28) column 1, line 14 - column 30, line 34; figures 1-21	1-13
A	US 2005/039453 A1 (SILVERBROOK KIA [AU]) 24 February 2005 (2005-02-24) paragraph [0464] - paragraph [0467]	1-13
A	US 2004/255141 A1 (HODDER LEONARD B [CA] ET AL) 16 December 2004 (2004-12-16) paragraph [0012] - paragraph [0049]; figures 1-2	1-13
A	US 2003/054703 A1 (FISCHER DANIEL M [CA] ET AL) 20 March 2003 (2003-03-20) paragraph [0018] - paragraph [0046]; figures 1-5	1-13
	----- -/--	

Further documents are listed in the continuation of Box C.

See patent family annex.

* Special categories of cited documents :

- "A" document defining the general state of the art which is not considered to be of particular relevance
- "E" earlier application or patent but published on or after the international filing date
- "L" document which may throw doubts on priority claim(s) or which is cited to establish the publication date of another citation or other special reason (as specified)
- "O" document referring to an oral disclosure, use, exhibition or other means
- "P" document published prior to the international filing date but later than the priority date claimed

- "T" later document published after the international filing date or priority date and not in conflict with the application but cited to understand the principle or theory underlying the invention
- "X" document of particular relevance; the claimed invention cannot be considered novel or cannot be considered to involve an inventive step when the document is taken alone
- "Y" document of particular relevance; the claimed invention cannot be considered to involve an inventive step when the document is combined with one or more other such documents, such combination being obvious to a person skilled in the art
- "&" document member of the same patent family

Date of the actual completion of the international search 15 November 2017	Date of mailing of the international search report 23/11/2017
--	---

Name and mailing address of the ISA/ European Patent Office, P.B. 5818 Patentlaan 2 NL - 2280 HV Rijswijk Tel. (+31-70) 340-2040, Fax: (+31-70) 340-3016	Authorized officer Holz, Matthias
--	---

INTERNATIONAL SEARCH REPORT

International application No
PCT/EP2017/071473

C(Continuation). DOCUMENTS CONSIDERED TO BE RELEVANT		
Category*	Citation of document, with indication, where appropriate, of the relevant passages	Relevant to claim No.
A	US 2016/218539 A1 (HERRMANN JOHN E [US] ET AL) 28 July 2016 (2016-07-28) paragraph [0002] - paragraph [0023]; figures 1, 2 -----	1-13

INTERNATIONAL SEARCH REPORT

Information on patent family members

International application No PCT/EP2017/071473

Patent document cited in search report	Publication date	Patent family member(s)	Publication date	
US 9092766	B1	28-07-2015	CN 107004146 A	01-08-2017
			US 9092766 B1	28-07-2015
			US 2016117659 A1	28-04-2016
			US 2016117662 A1	28-04-2016
			US 2016364705 A1	15-12-2016
			US 2017039550 A1	09-02-2017
			US 2017308882 A1	26-10-2017
			WO 2016069703 A1	06-05-2016

US 2005039453	A1	24-02-2005	US 2005039453 A1	24-02-2005
			US 2005279090 A1	22-12-2005
			US 2009244194 A1	01-10-2009

US 2004255141	A1	16-12-2004	AR 043380 A1	27-07-2005
			BR PI0401586 A	18-01-2005
			CN 1540595 A	27-10-2004
			US 2004255141 A1	16-12-2004
			US 2009182640 A1	16-07-2009

US 2003054703	A1	20-03-2003	CA 2374342 A1	01-09-2002
			CA 2517333 A1	01-09-2002
			US 2003054703 A1	20-03-2003

US 2016218539	A1	28-07-2016	NONE	
