

ePCT Document Upload

IA Number:

PCT/US2015/000373

To:

IB

Date at recipient Office:

02 May 2018 21:22:03 CEST

From:

Monica Jacobs

The following documents have been uploaded via ePCT:

- Request for Rectification
- Rectified Sheets

Signature: /Edwin E. Richards/

IN THE UNITED STATES PATENT AND TRADEMARK OFFICE

Applicant: INTEL CORPORATION
Intl. App. No.: PCT/US2015/000373
Intl. Filing Date: 26-December-2015 (26.12.2015)
For: CONFINED AND SCALABLE HELMET

Attn: PCT Receiving Section
The Intl. Bureau of WIPO
34, chemin des Colombettes
1211 Geneva 20, Switzerland

REQUEST FOR RECTIFICATION OF OBVIOUS MISTAKE UNDER RULE 91

Sir:

On 22-March-2016, Applicant submitted a Response to the Invitation to Correct Defects in the International Application. In the Response, Applicant submitted replacement drawing sheets 1-10.

In error, only the drawings that were referred to in the Invitation to Correct Defects were submitted, (sheets 1-8). In other words, a complete set of drawings was not submitted in the Response. To remedy the error, Applicant hereby requests that WIPO accept the complete set of drawings (sheets 1-11).

Respectfully submitted,

02-May-2018 (02.05.2018)
Date

/Edwin E. Richards, Reg. No. 53,514/
Edwin E. RICHARDS
Reg. No. 53,514
TROP, PRUNER & HU, P.C.
1616 S. Voss Rd., Ste. 750
Houston, TX 77057-2631
(512) 418-9944, ext 3 [Ph]
(713) 468-8883 [Fax]

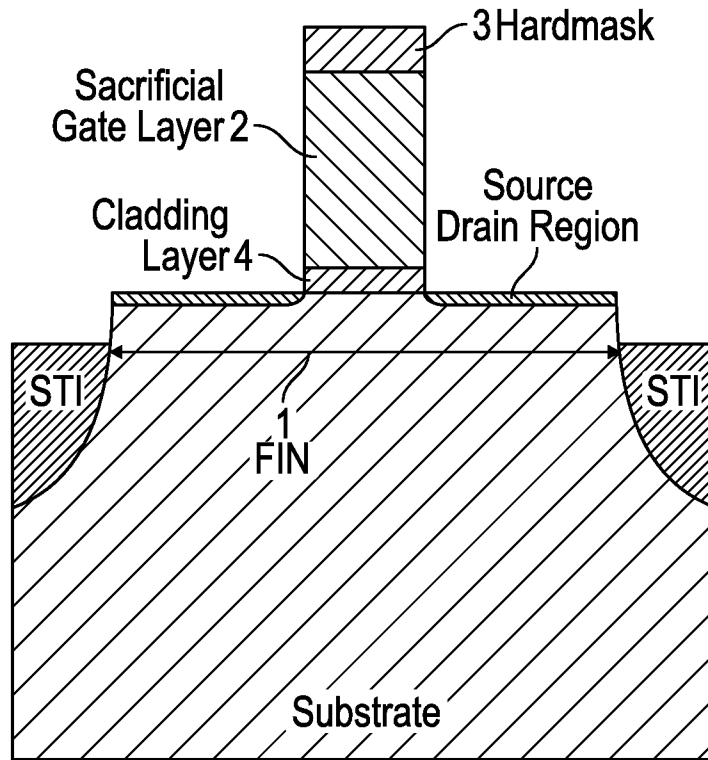


FIG. 1A
(Prior Art)

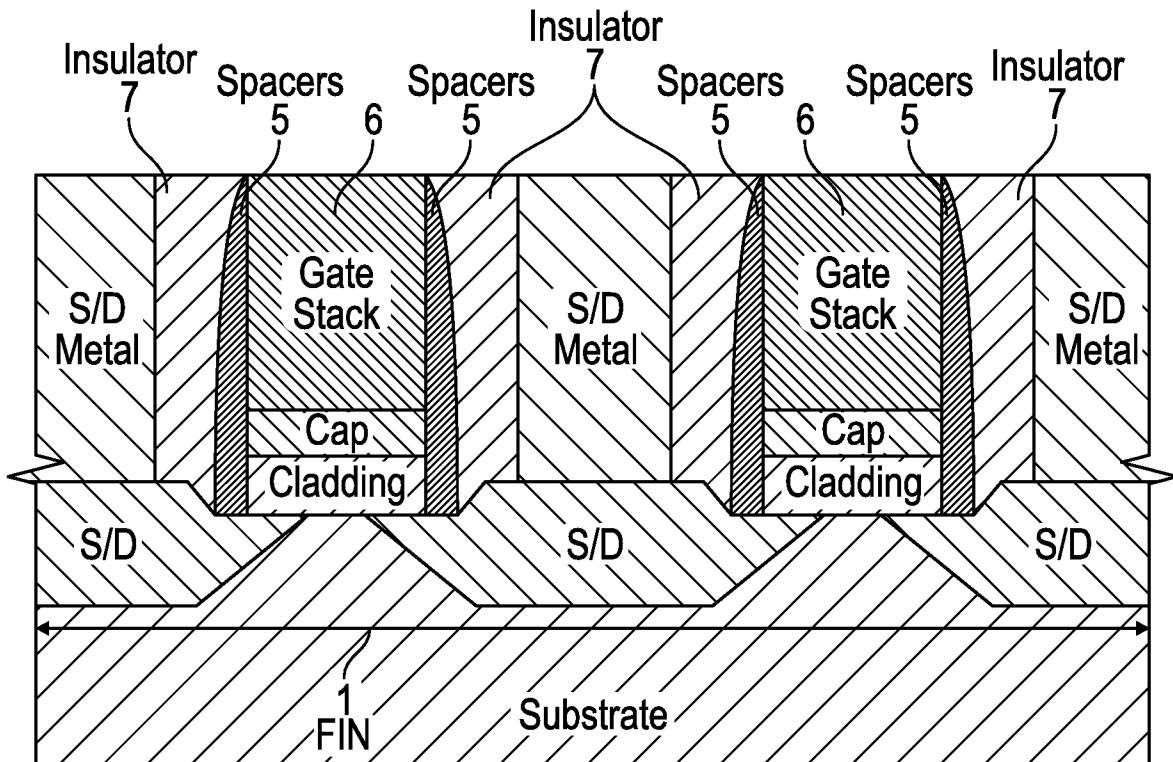


FIG. 1B
(Prior Art)

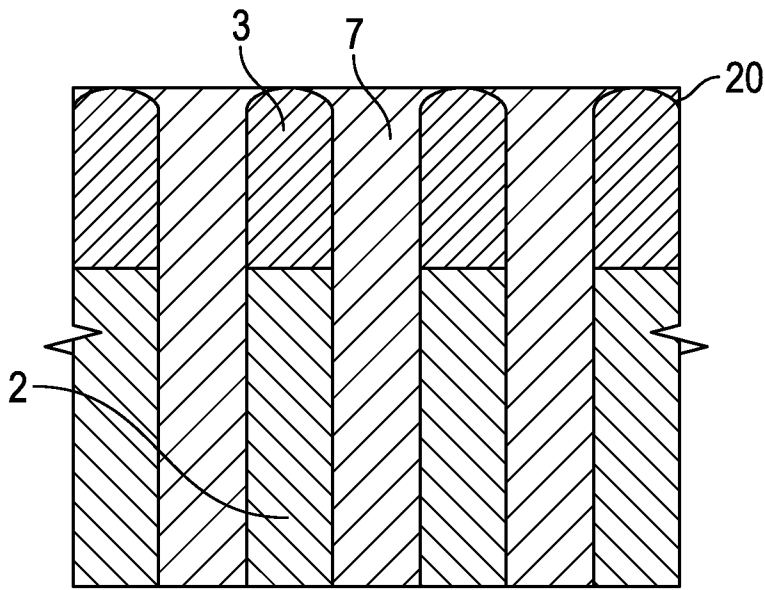


FIG. 2A

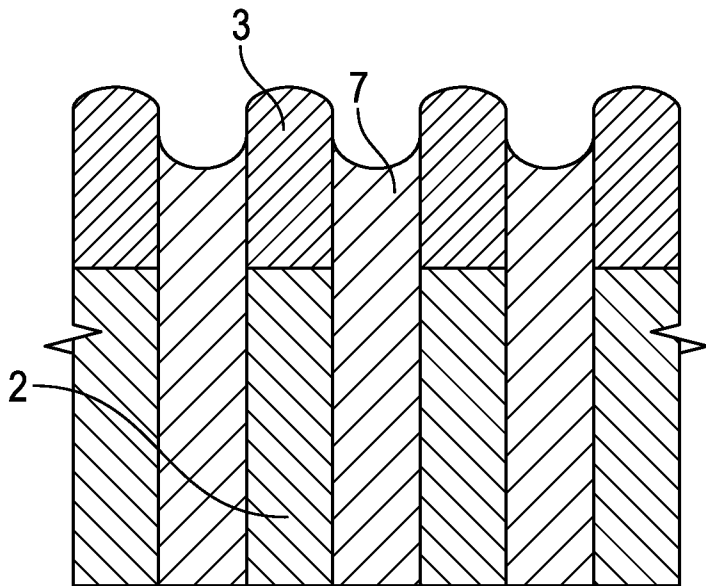


FIG. 2B

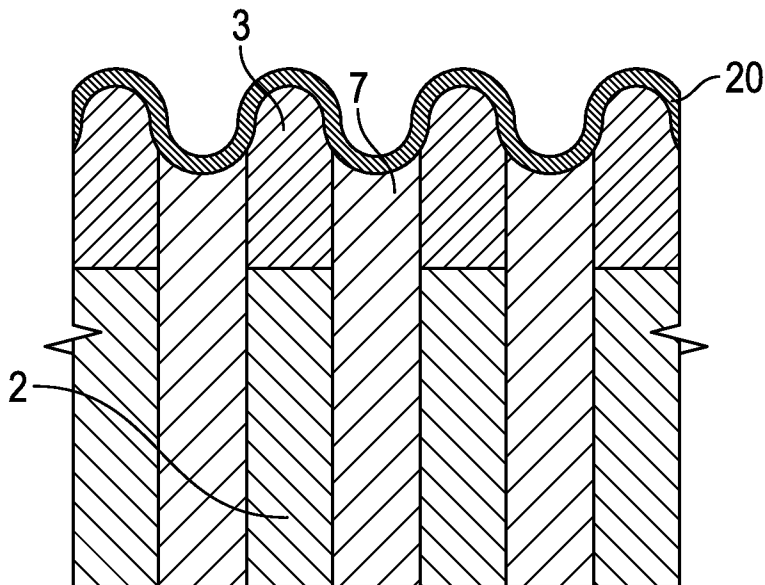


FIG. 2C

REPLACEMENT SHEET

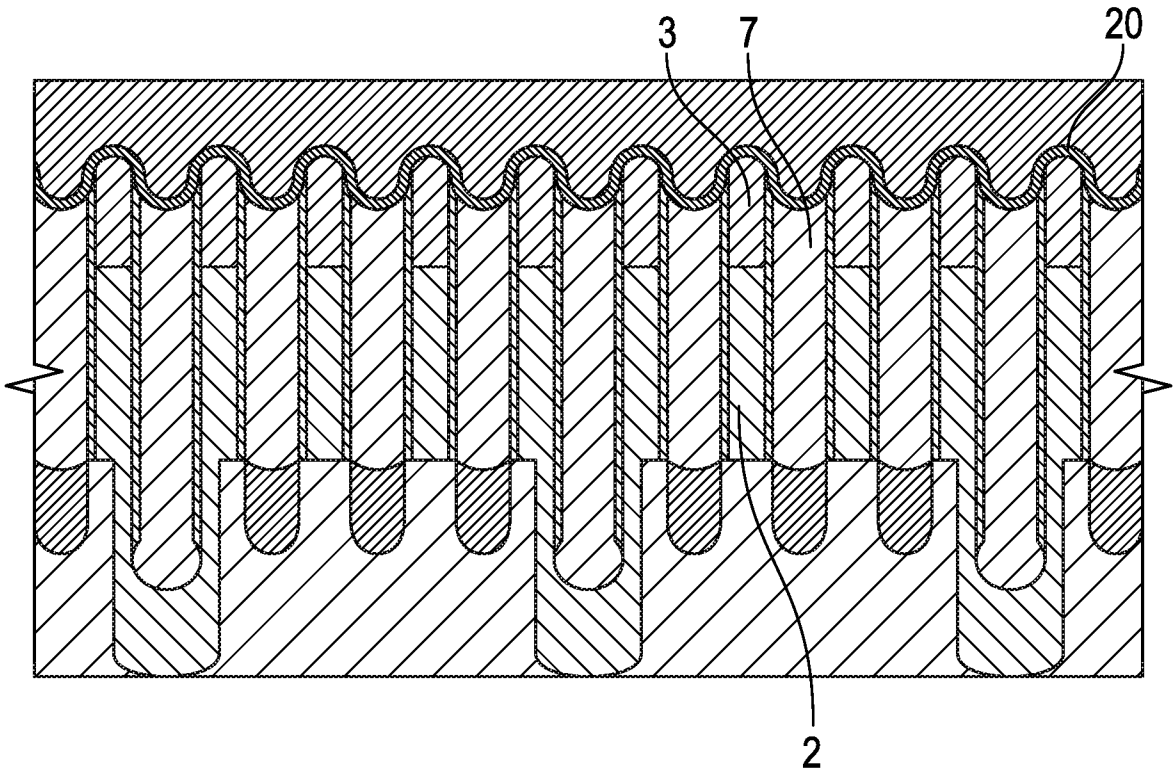


FIG. 2D

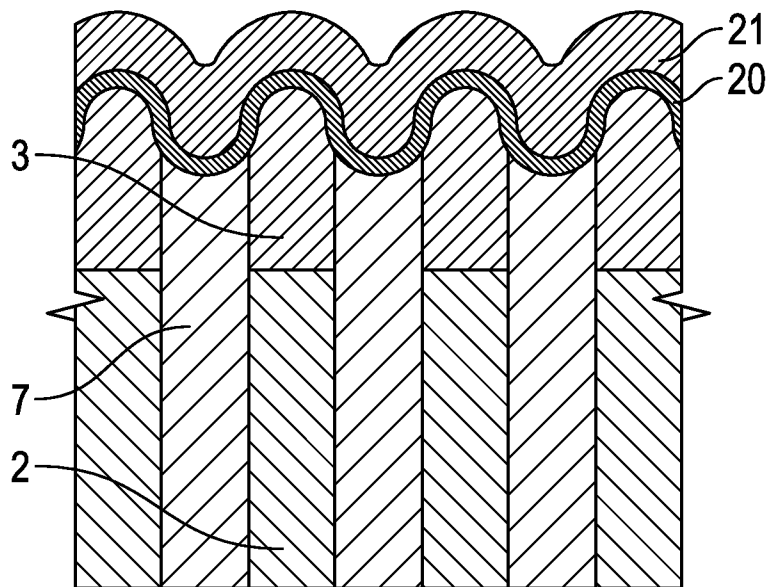


FIG. 2E

REPLACEMENT SHEET

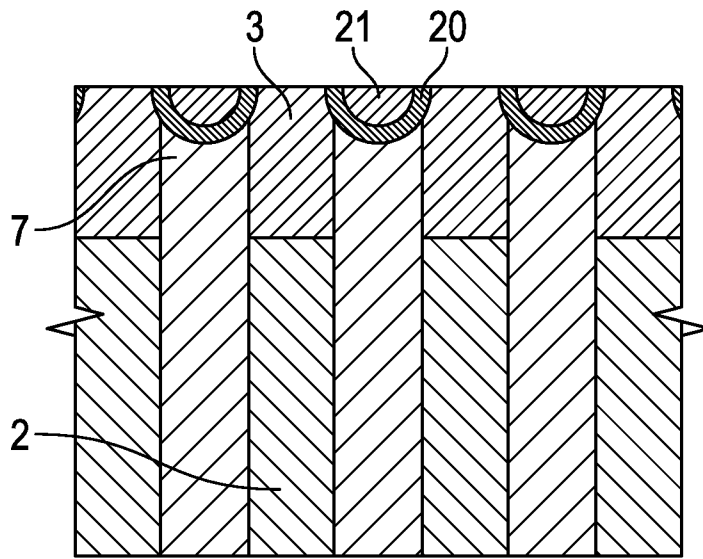


FIG. 2F

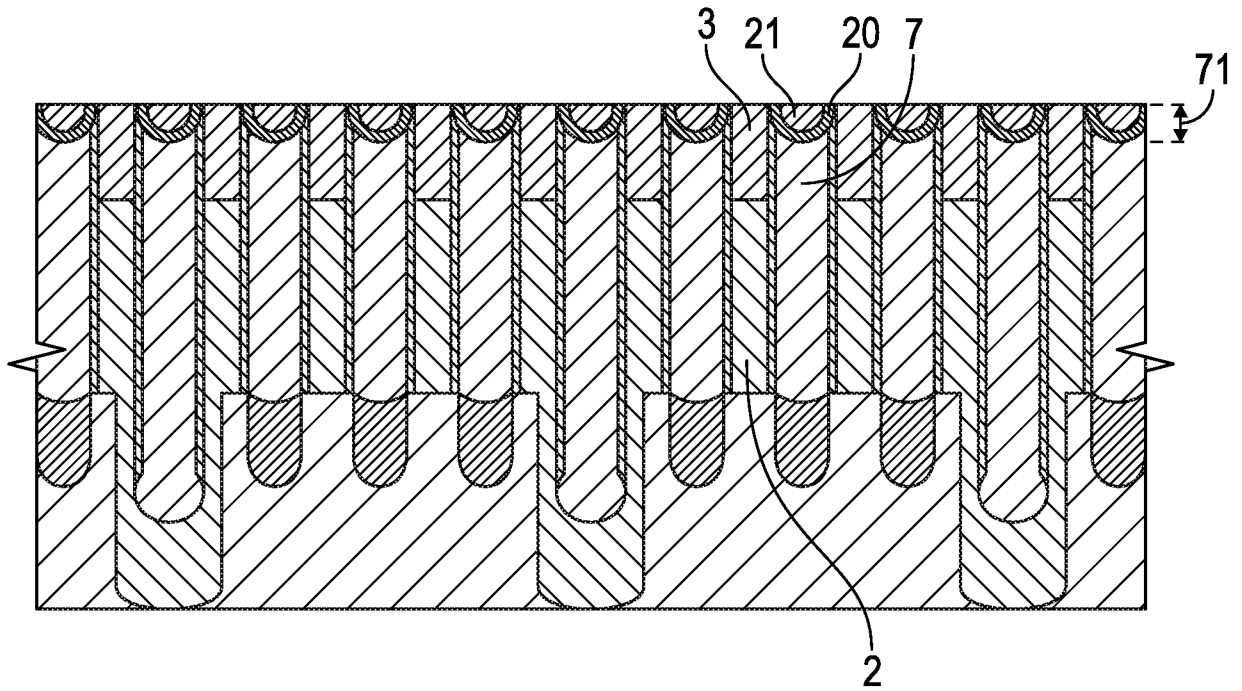


FIG. 2G

REPLACEMENT SHEET

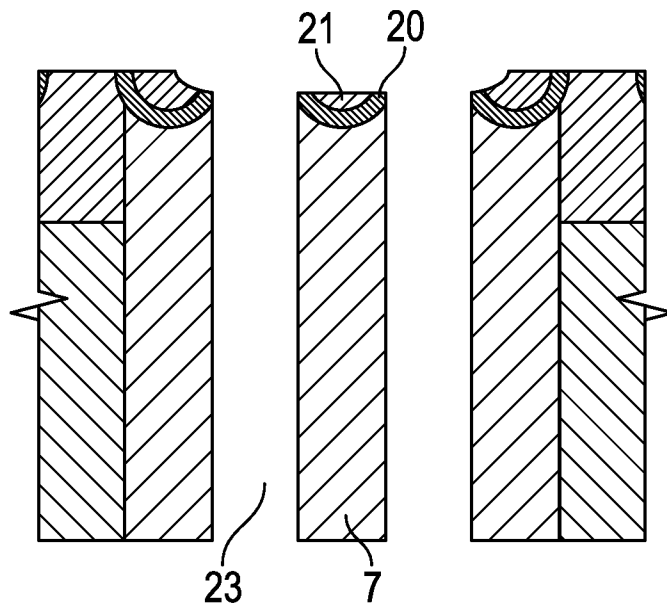


FIG. 2H

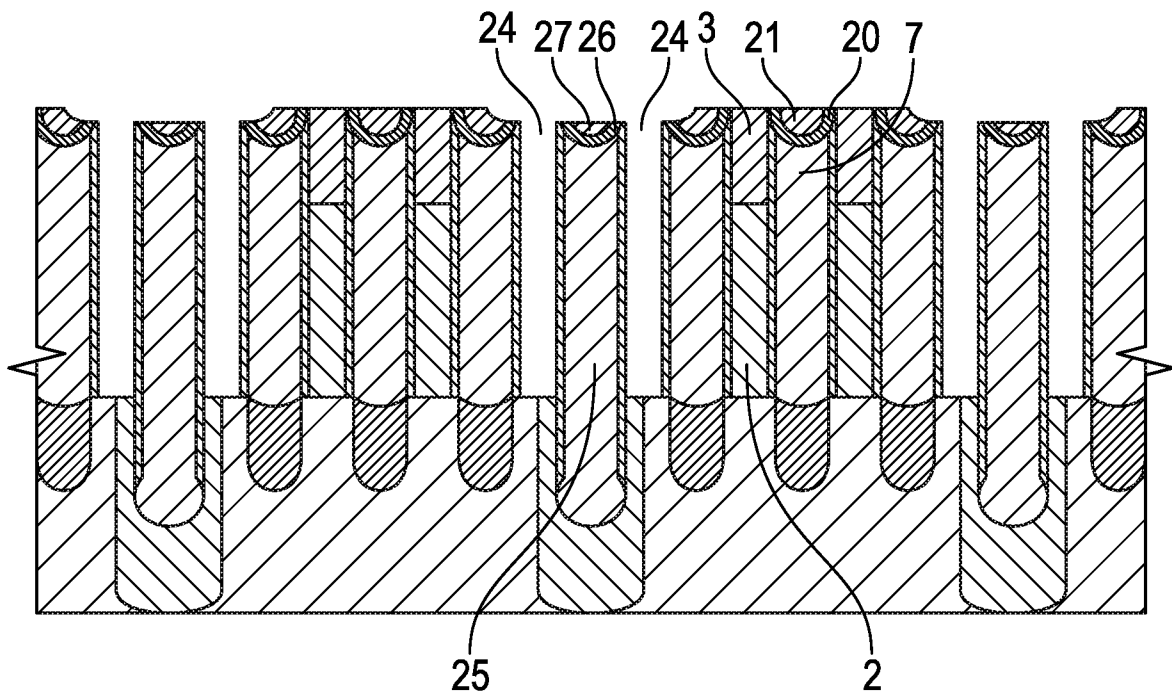


FIG. 2I

REPLACEMENT SHEET

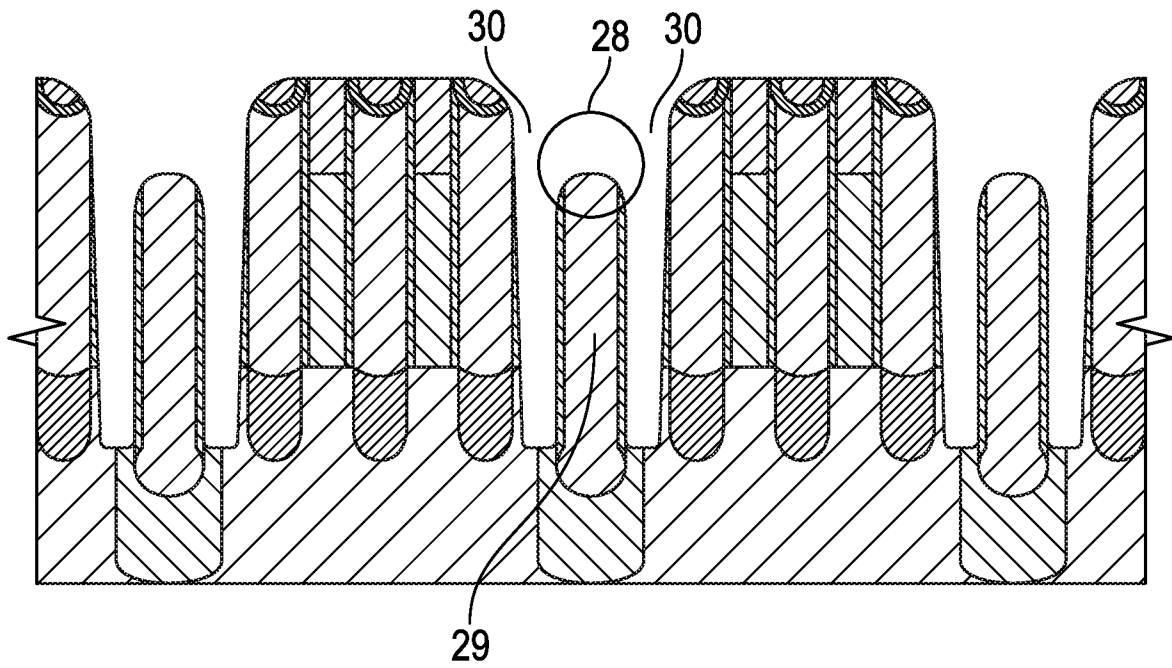


FIG. 2J
(Prior Art)

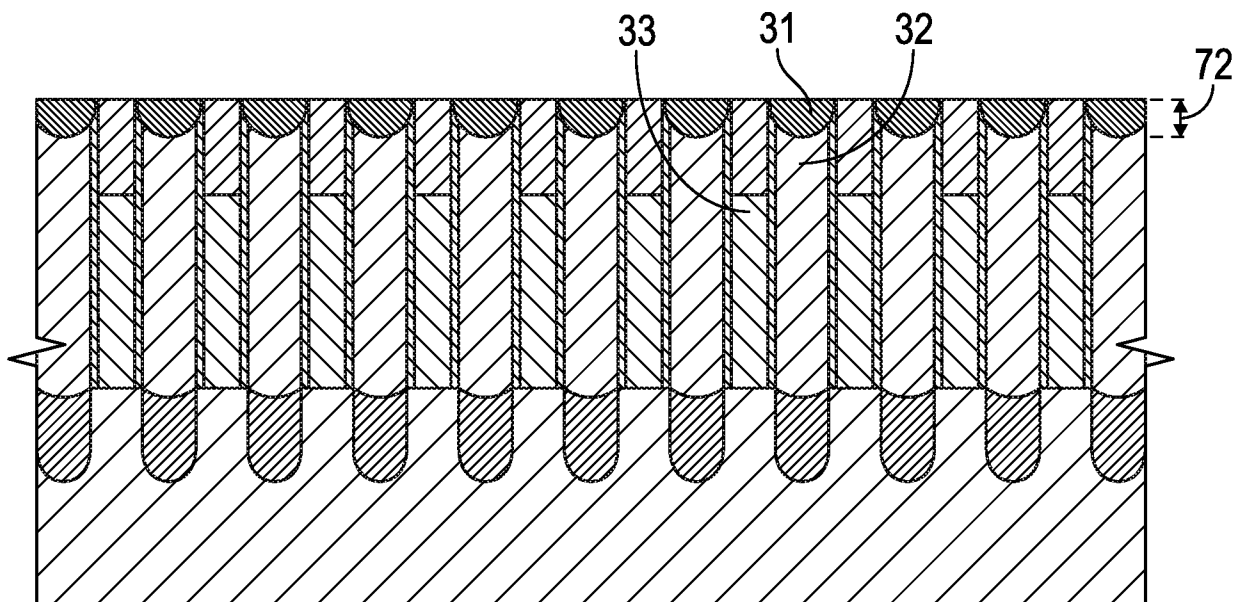


FIG. 3A

REPLACEMENT SHEET

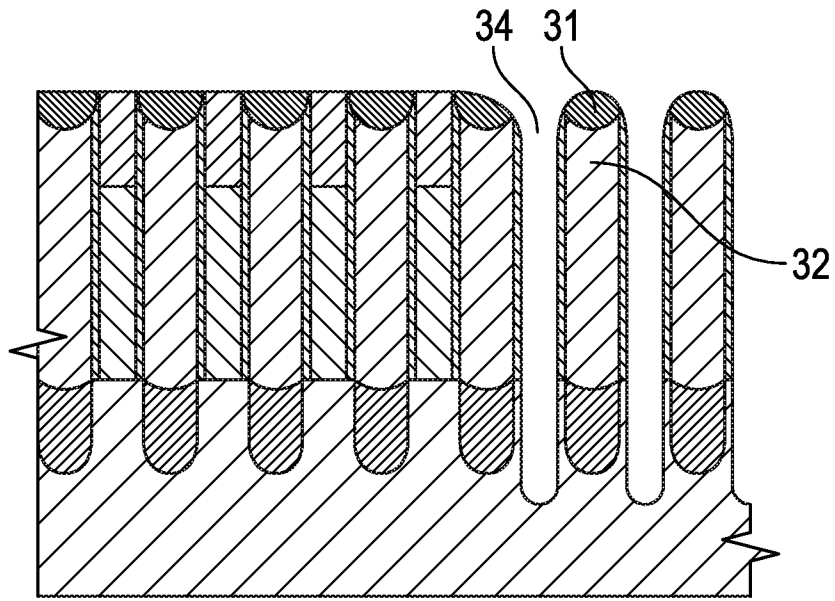


FIG. 3B

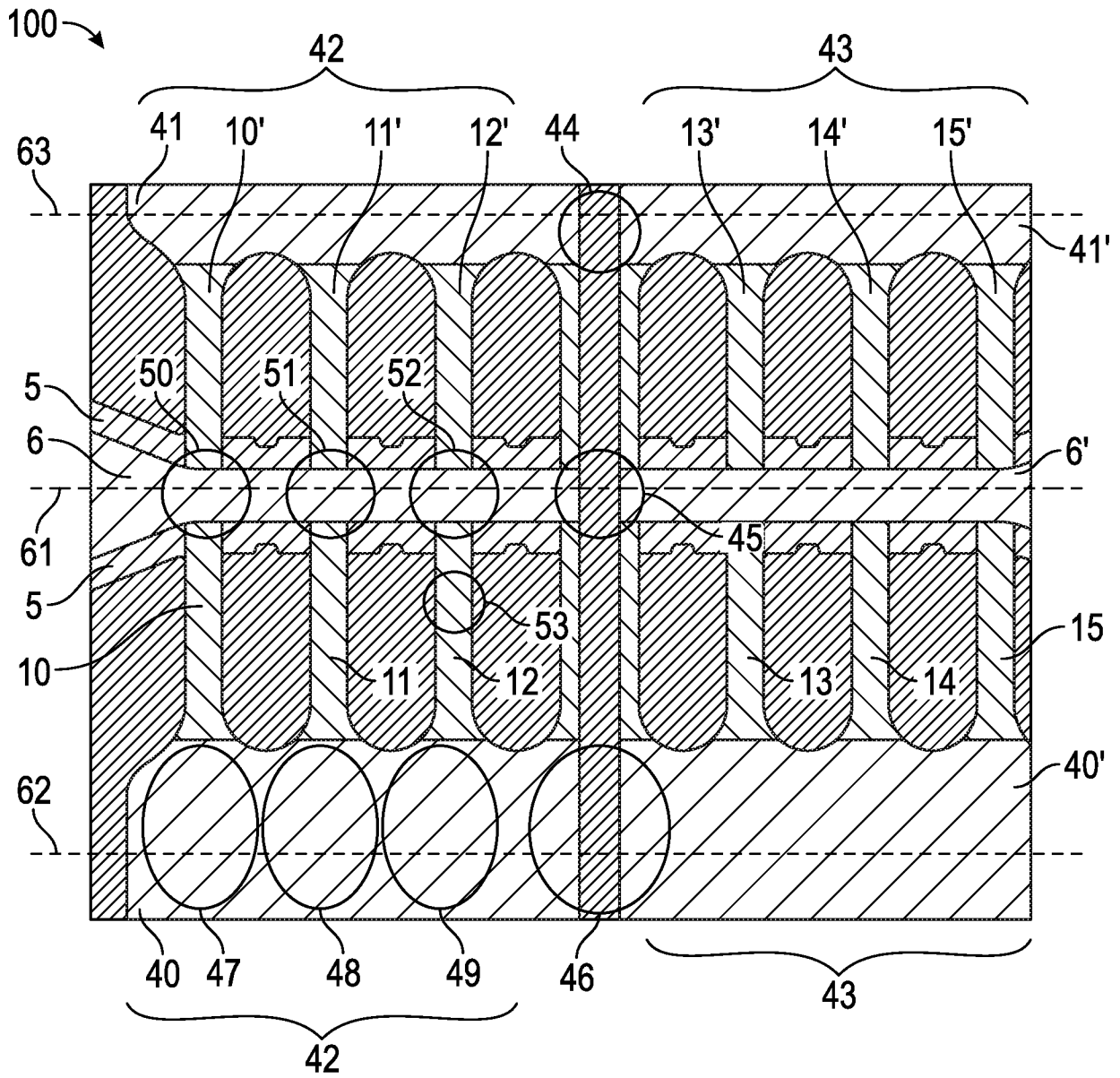


FIG. 4
REPLACEMENT SHEET

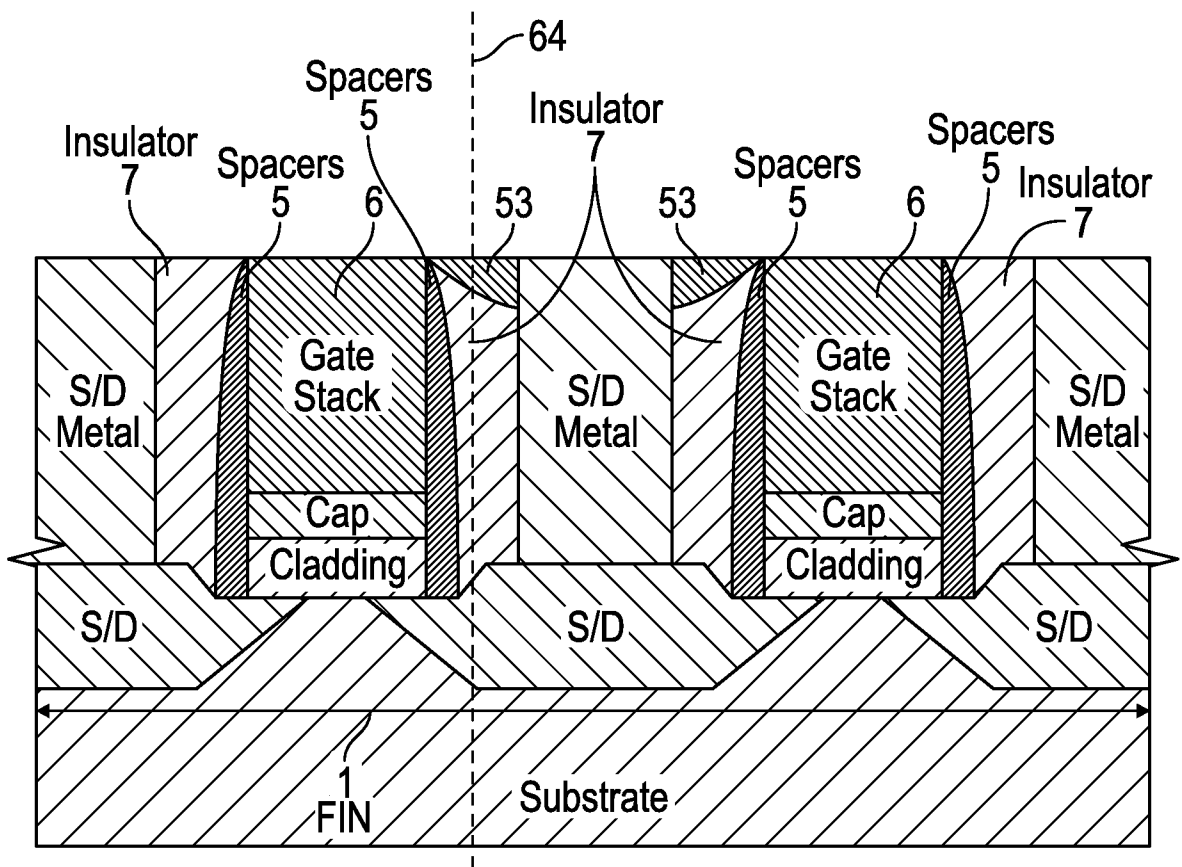


FIG. 5

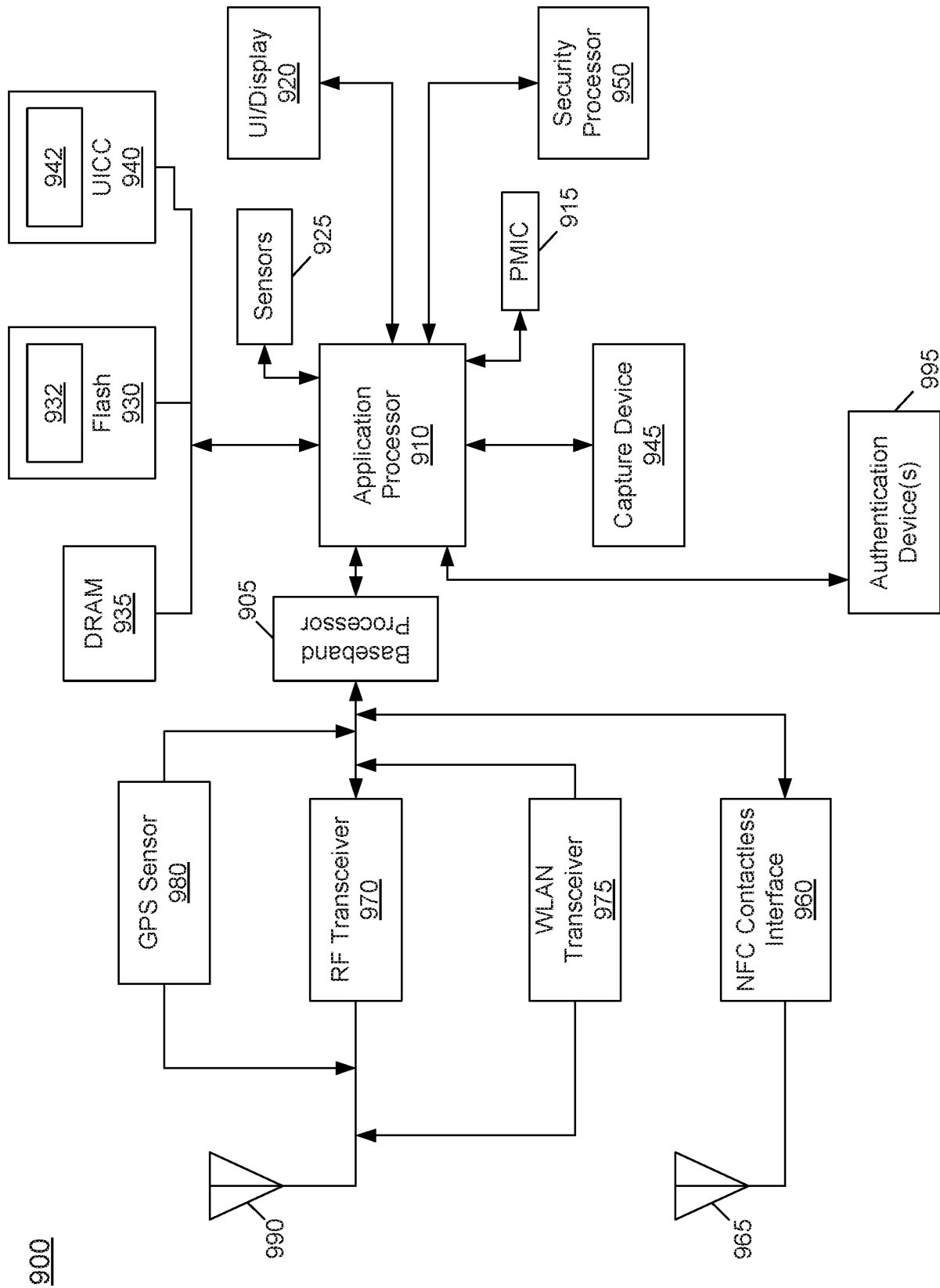


Figure 6

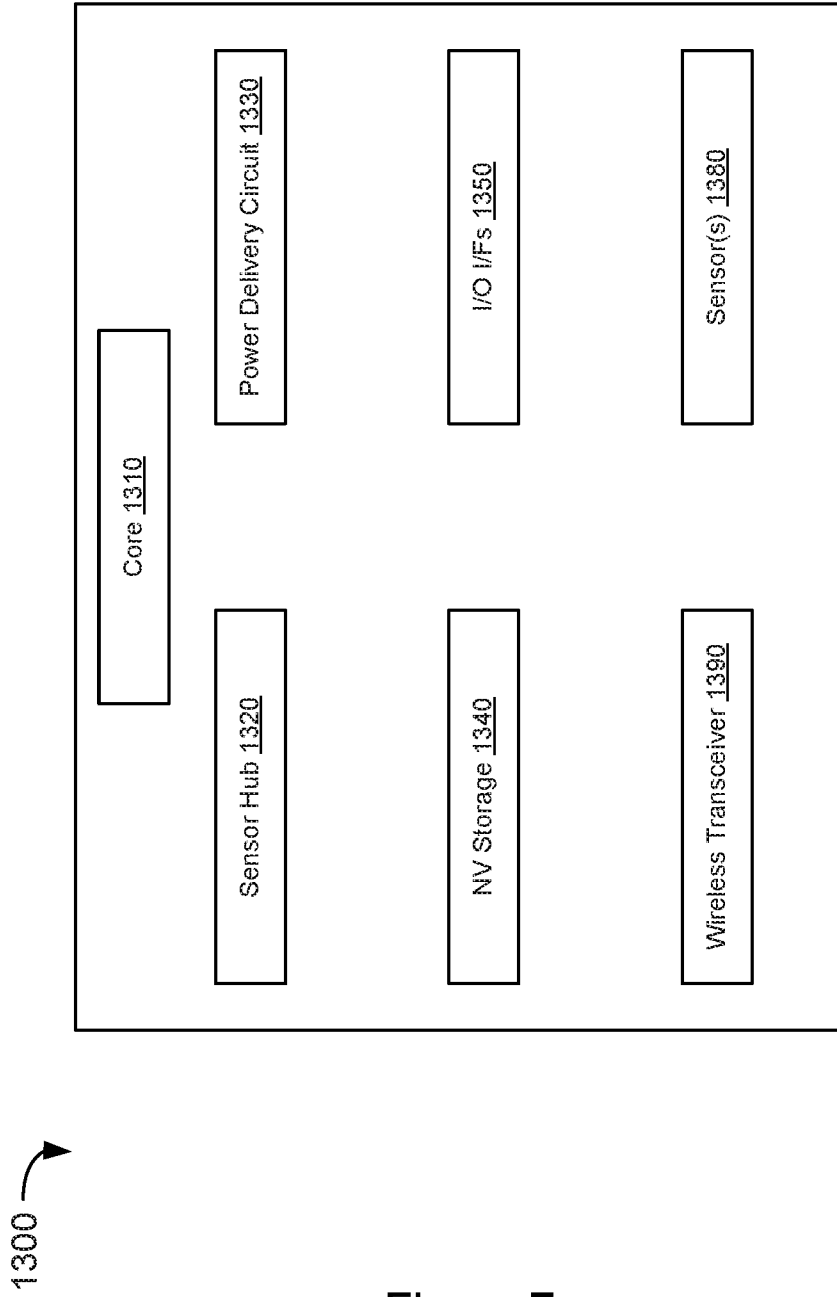


Figure 7

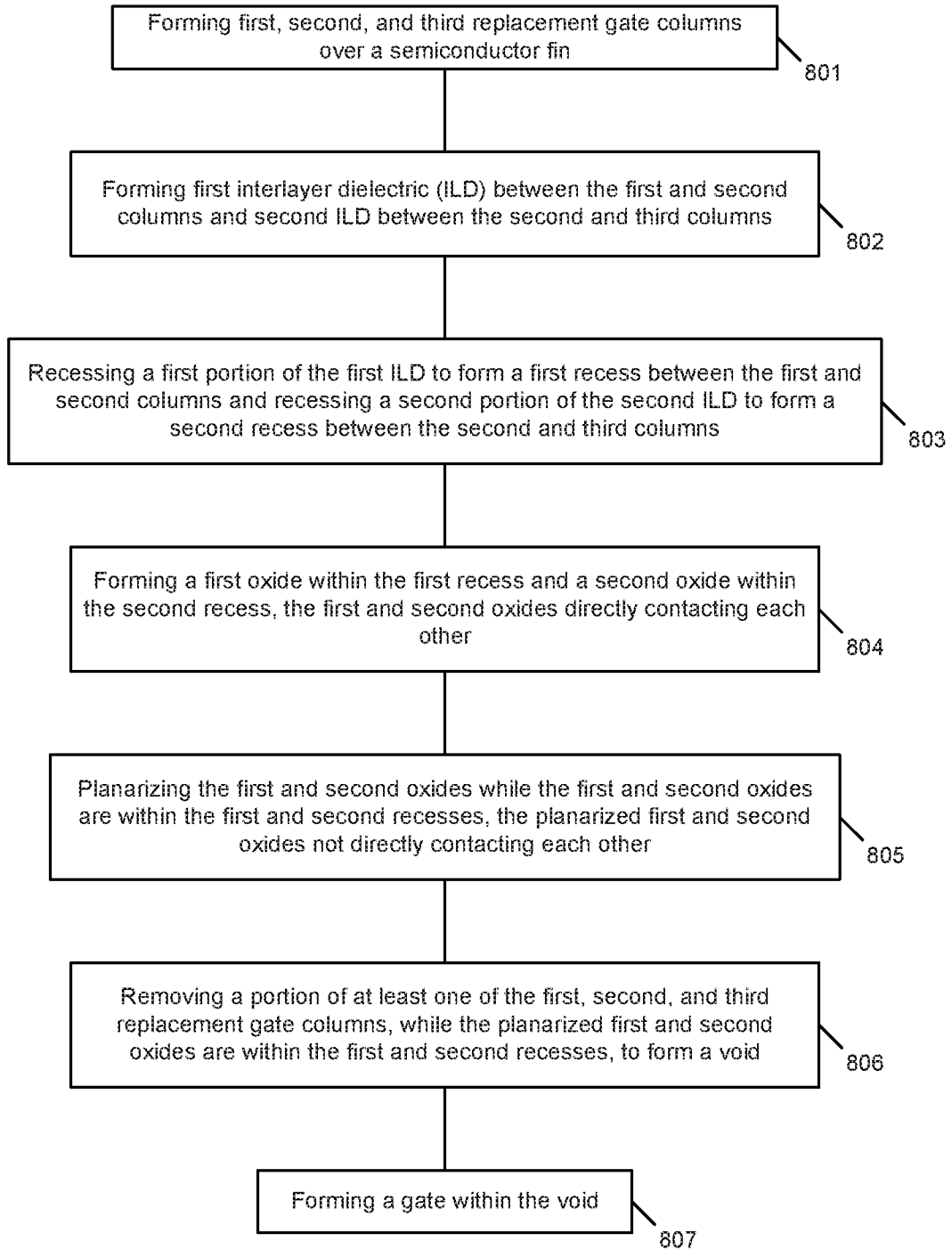
800

Figure 8