



(43) International Publication Date
15 September 2016 (15.09.2016)

(51) International Patent Classification:
F15D 1/10 (2006.01)

(21) International Application Number:
PCT/US2016/019693

(22) International Filing Date:
26 February 2016 (26.02.2016)

(25) Filing Language: English

(26) Publication Language: English

(30) Priority Data:
62/129,426 6 March 2015 (06.03.2015) US

(71) Applicant: **FLUID-QUIP, INC.** [US/US]; 1940 South Yellow Springs Street, Springfield, OH 45506 (US).

(72) Inventor: **SPRAGUE, Allison**; 2460 Second Concession, RRI, Prescott, ON K0E 1T0 (CA).

(74) Agents: **JACKSON, Randall S., Jr.** et al.; Wood, Herron & Evans, LLP, 2700 Carew Tower, 441 Vine Street, Cincinnati, OH 45202-2917 (US).

(81) Designated States (unless otherwise indicated, for every kind of national protection available): AE, AG, AL, AM,

AO, AT, AU, AZ, BA, BB, BG, BH, BN, BR, BW, BY, BZ, CA, CH, CL, CN, CO, CR, CU, CZ, DE, DK, DM, DO, DZ, EC, EE, EG, ES, FI, GB, GD, GE, GH, GM, GT, HN, HR, HU, ID, IL, IN, IR, IS, JP, KE, KG, KN, KP, KR, KZ, LA, LC, LK, LR, LS, LU, LY, MA, MD, ME, MG, MK, MN, MW, MX, MY, MZ, NA, NG, NI, NO, NZ, OM, PA, PE, PG, PH, PL, PT, QA, RO, RS, RU, RW, SA, SC, SD, SE, SG, SK, SL, SM, ST, SV, SY, TH, TJ, TM, TN, TR, TT, TZ, UA, UG, US, UZ, VC, VN, ZA, ZM, ZW.

(84) Designated States (unless otherwise indicated, for every kind of regional protection available): ARIPO (BW, GH, GM, KE, LR, LS, MW, MZ, NA, RW, SD, SL, ST, SZ, TZ, UG, ZM, ZW), Eurasian (AM, AZ, BY, KG, KZ, RU, TJ, TM), European (AL, AT, BE, BG, CH, CY, CZ, DE, DK, EE, ES, FI, FR, GB, GR, HR, HU, IE, IS, IT, LT, LU, LV, MC, MK, MT, NL, NO, PL, PT, RO, RS, SE, SI, SK, SM, TR), OAPI (BF, BJ, CF, CG, CI, CM, GA, GN, GQ, GW, KM, ML, MR, NE, SN, TD, TG).

Published:

— with international search report (Art. 21(3))

(54) Title: RADIAL FLOW PROCESSOR AND METHOD FOR USING SAME

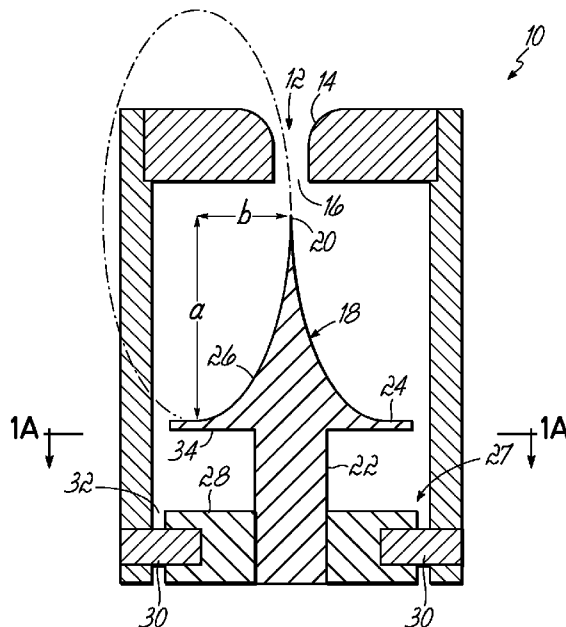


FIG. 1

(57) Abstract: A liquid treatment apparatus (10) for processing a liquid includes an inlet nozzle (12) having an orifice (16) for directing a flow of liquid through the orifice (16) to define a fluid jet, and a conical diffuser (18) including a tip (20), a base portion (22), and a curved surface (26) therebetween. The conical diffuser (18) is generally aligned with the orifice (16) such that the fluid jet impacts upon the tip (20) of the conical diffuser (18). Moreover, the curvature of the curved surface (26) is selected to maintain a substantially constant Froude number of the liquid along the conical diffuser (18).



RADIAL FLOW PROCESSOR AND METHOD FOR USING SAME

Technical Field

[0001] The invention relates to a liquid treatment apparatus for treating a liquid medium and, more particularly, to an apparatus and method for enhancing reaction rates for diffusion-controlled chemical reactions.

Background

[0002] Many industrial processes rely on various chemical reactions in a liquid medium to achieve a certain end product. Accordingly, manufacturers and others that perform these industrial processes continually seek improvements to these processes so as to improve their efficiency and provide a cost benefit. By way of example, increasing the collision frequency in chemical reactions occurring in a liquid medium may result in a decrease in processing time, which may lead to an increase in overall production and decrease in operating costs, and/or a decrease in chemical consumption in the liquid medium for achieving the desired result which may also reduce operating costs. Increasing collision frequency via increasing shear rates may also serve to increase surface area of weakly bonded particulate matter and/or flocs. These are only exemplary and, depending on the specific application, many other benefits may be gained by increasing shear rates.

[0003] As an example, two types of industrial applications that may benefit from increased diffusion rates are reactions involving catalysts and enzymes.

[0004] Current static mixers do not sufficiently utilize available energy to optimize shear rates in order to enhance reactions. For example, static mixers sold under the trademark Kenics do not effectively generate a thin liquid film while maintaining laminar flow and increasing acceleration, such that these mixers do not

provide optimized shear rates. Therefore, a need exists for a liquid flow processor which enhances reactions by optimizing shear rates.

Summary

[0005] A liquid treatment apparatus for processing a liquid includes an inlet nozzle having an orifice for directing a flow of liquid through the orifice to define a fluid jet, and a conical diffuser including a tip, a base portion, and a curved surface therebetween. The conical diffuser is generally aligned with the orifice such that the fluid jet impacts upon the tip of the conical diffuser. Moreover, the curvature of the curved surface is selected to maintain a substantially constant Froude number of the liquid along the conical diffuser.

[0006] In one embodiment, a profile of the conical diffuser, when viewed in cross section, is defined by a quarter of an ellipse. In a more particular embodiment, the ellipse is defined by the following equations:

$$a = r_0 \times \sqrt[5]{\frac{Fr^8}{2}}$$

$$b = \frac{a^2}{r_0 \times Fr^2}$$

where a = the major radius of the ellipse

b = the minor radius of the ellipse

r_0 = the radius of the orifice

Fr = the desired Froude number.

[0007] In one embodiment, the inlet nozzle may include a curved inlet wall. Moreover, the base portion includes a rear wall on a side of the base portion opposite the tip that is generally planar. Alternatively, the rear wall may be generally curved, wherein the curve is characterized by a substantially constant radius of curvature. Furthermore, the liquid treatment apparatus may include a mounting plate

to which the conical diffuser is mounted. The mounting plate may include one or more apertures for allowing liquid to pass through the mounting plate. The liquid treatment apparatus may include a plurality of inlet nozzles and a plurality of conical diffusers, wherein each conical diffuser is generally aligned with a corresponding orifice of an inlet nozzle.

[0008] In another embodiment, a system for processing a liquid includes a tank for holding a liquid medium, a pump, and a liquid treatment apparatus as described above, wherein the pump is configured to direct the liquid in the tank through the liquid treatment apparatus. The system may further include a recirculation loop for directing liquid treated by the liquid treatment apparatus back to the tank.

[0009] In yet another embodiment, a method of treating a liquid includes directing a flow of liquid through an orifice to define a fluid jet; impacting the fluid jet upon a conical diffuser having a tip, a base portion, and a curved surface therebetween; and maintaining a substantially constant Froude as the liquid flows from the tip toward the base portion of the conical diffuser.

[0010] In accordance with the method, maintaining a substantially constant Froude number further comprises selecting the curvature of the curved surface in order to maintain a substantially Froude number. In one embodiment, selecting the curvature of the curved surface further comprises defining a profile of the conical diffuser, when viewed in cross section, to be a quarter of an ellipse. By way of example, defining the profile of the conical diffuser further comprises defining the ellipse by the following equations:

$$a = r_0 \times \sqrt[5]{\frac{Fr^8}{2}}$$

$$b = \frac{a^2}{r_0 \times Fr^2}$$

where a = the major radius of the ellipse

b = the minor radius of the ellipse

r_0 = the radius of the orifice

Fr = the desired Froude number.

[0011] According to an embodiment, the method further includes (a) pumping a supply of liquid from a tank to the orifice; (b) directing the liquid that has impacted the conical diffuser back to the tank; and repeating steps (a) and (b) one or more times.

Brief Description of the Drawings

[0012] Fig. 1 is a cross sectional view of an exemplary radial flow processor in accordance with the principles of the present invention.

[0013] Fig. 1A is a cross sectional view of the radial flow processor shown in Fig. 1 taken along line 1A—1A.

[0014] Fig. 2 is a cross sectional view of an alternative exemplary radial flow processor in accordance with the principles of the present invention.

[0015] Fig. 3 is a cross sectional view of an alternative exemplary radial flow processor in accordance with the principles of the present invention.

[0016] Fig. 4A is a schematic illustration of a single-pass flow configuration in accordance with the principles of the present invention.

[0017] Fig. 4B is a schematic illustration of a recirculation loop flow configuration in accordance with the principles of the present invention.

Detailed Description

[0018] When a liquid is subjected to shear, the large eddies initially formed subsequently break down into somewhat smaller eddies which in turn break down into successively smaller eddies in an energy cascade. The rate of kinetic energy dissipation due to shear is directly proportional to the cube of the initial velocity and inversely proportional to a characteristic dimension, such as flow channel diameter or film thickness/depth of flow. If U_0 represents the average flow velocity and L_0 represents the characteristic dimension, then the energy dissipation rate may be approximated as $\varepsilon \sim U_0^3/L_0$. Thus, with regards to the characteristic dimension, for a given flow velocity, reducing the characteristic dimension increases the energy dissipation rate, which may then increase the collision frequency.

[0019] For open channel flow over a flat surface, as U_0 becomes greater or as L_0 becomes smaller, the flow regime has a greater tendency to transition from laminar to turbulent. The conditions under which the transition may occur may be calculated utilizing the Froude number. The Froude number is a ratio of the inertial and gravitational forces. If U_0 represents the velocity of the fluid, L_0 represents the depth of the fluid, and G is the acceleration due to gravity, then the Froude number $Fr = \frac{U_0}{\sqrt{GL_0}}$. If the Froude number is substantially less than 1, then the flow tends to be laminar. If the Froude number is substantially greater than 1, then the flow will tend to suddenly transition to turbulent flow. When the flow regime transitions to turbulent flow, the depth of the fluid will tend to suddenly increase. The sudden change in depth is referred to as hydraulic jump. Shear stresses within the fluid are reduced downstream of the jump due to the reduction in net flow velocity resulting from the increase in flow area and because of the increase in film thickness. The length of

the transition zone from laminar to turbulent flow will tend to become shorter as the Froude number is increased.

[0020] Note that the Froude number was originally developed for open channel flow where gravity provided the primary resistance to increase in surface elevation which would result from hydraulic jump. Under other flow conditions where the fluid is subjected to rapid change in velocity, the primary acceleration forces may be due more to the rapid change in fluid velocity rather than acceleration due to gravity. Under such conditions, it would become necessary to replace acceleration due to gravity (G) with an expression for the acceleration generated due to the change in velocity. This instantaneous acceleration would be equal to U^2 / R , where U represents the fluid velocity and R represents the instantaneous radius of curvature of the flow path.

[0021] If the open flow channel were to curve “upward” towards the free surface of the fluid, the acceleration resulting from the change in flow direction would be added to G. This tends to increase the resistance to the formation of a hydraulic jump. If U_0 represents the velocity of the fluid and R represents the radius of curvature of the flow path, the rate of acceleration associated with the change in flow path direction would be U_0^2/R . Reducing the radius of curvature would tend to increase the rate of acceleration, which may be increased to match the shear stresses resisting flow (which tend to cause the fluid to pile up on itself and form a hydraulic jump). Moreover, in applications where the flow is not necessarily horizontal and/or when U_0^2/R is significantly greater than G, the initial Froude number may be approximated by replacing G with U_0^2/R so that $Fr = \frac{U_0}{\sqrt{\frac{U_0^2 L_0}{R}}} = \sqrt{\frac{R}{L_0}}$.

Therefore, to maintain a substantially constant Froude number as the fluid film

thickness is reduced, the radius of curvature must be reduced by the same ratio as the film thickness.

[0022] In a 2004 Thesis entitled “Application of Particle Image Velocimetry to the Hydraulic Jump” by Justin M. Lennon, the author described how the Froude number may be utilized to control the formation and location of hydraulic jumps in open channel flows. Referring to table 4.2 and figure 4.6 of the thesis, it would appear that at the velocities he was testing, with a Froude number of approximately 3, the distance from the inlet to the hydraulic jump was approximately 12.5 times the depth of flow. Under these conditions, based upon the Froude number $Fr = 3$, $\sqrt{\frac{R}{L_0}} = 3$ such that $R = 9L_0$ or $L_0 = 0.11R$.

[0023] Note that for this example, if the Froude number were to be greater than 3 at some location upstream of the hydraulic jump, but were to have a value of 3 at the jump, thickness of the film immediately prior to the jump would tend to be greater than if the Froude number were to be held constant at 3 (because of the additional shear energy input within the high Froude number section). Similarly, if the Froude number were to be less than 3 at some point upstream of the hydraulic jump, but were to have a value of 3 at the jump, the distance from the initial point of shear to the hydraulic jump would be increased, and again the thickness of the film immediately prior to the hydraulic jump would be greater than if the Froude number were to be held constant at 3 (because of the additional shear energy input within the longer low Froude number section).

[0024] By maintaining a constant and optimal Froude number as the film thickness is varied, the film thickness may be minimized prior to the formation of a hydraulic jump, and thus the shear energy dissipation rate may be maximized to optimize the reaction rate. If the depth of flow (represented by L_0) were to be

reduced and the flow velocity were to remain constant, to maintain the same Froude number, it would be necessary to reduce the radius of curvature. Thus, a means is required to simultaneously reduce the depth of flow, by maintaining a constant Froude number, while decreasing the radius of curvature.

[0025] Hypothetically, if a round jet of fluid were to impact upon a flat plate, the flow would be forced to flow radially from the center of impact. This would serve to reduce the depth of flow as the “width” of the flow path would increase with diameter. However, this does not provide controlled change in “radius of curvature” of the flow path. In fact, the radius of curvature would be minimum near the point where the depth of flow is maximum rather than where it achieves minimum depth. Similarly, if a round jet were to impact upon the tip of a conical diffuser whose diameter increased in a linear manner away from the tip, the “width” of the flow path would increase linearly with distance from the tip. However, the “radius of curvature” would not decrease in the desired manner to minimize film thickness prior to the formation of a hydraulic jump.

[0026] However, if a round jet were to impact upon the tip of a conical diffuser whose diameter increased more rapidly further from the tip, then the “radius of curvature” of the flow path would tend to be reduced further from the tip and the rate of acceleration would increase. In fact, if, when viewed in cross section, the radius of the conical diffuser were to expand substantially in the form of a quarter ellipse such that the ellipse’s largest radius of curvature would be near the tip and the ellipse’s smallest radius of curvature would be at the base where the flow path transitioned to pure radial flow, it would be possible to maintain a substantially constant and specific Froude number by adjusting the dimensions of the ellipse.

[0027] Under optimum conditions, the hydraulic jump would occur at the point where the flow path transitions to pure radial flow. Due to variations in fluid characteristics, surface roughness and other factors, the optimum Froude number may vary for differing applications. This in turn may result in different optimal diffuser surface profiles, depending upon the application.

[0028] Therefore, turning now to Fig. 1, a radial flow processor 10 may include an inlet nozzle 12 having a curved wall 14 and an orifice 16. The radial flow processor 10 may further include a conical diffuser 18 arranged in line with the axis of the inlet nozzle 12, such that a fluid jet flowing through the orifice 16 may impact upon the tip 20 of the conical diffuser 18. In addition to the tip 20, the conical diffuser 18 may have a constant diameter portion 22, a base portion 24 and a curved surface 26 extending between the tip 20 and the base portion 24, such that the rate of increase of the diameter of the conical diffuser 18 increases more rapidly than a linear cone further from the tip 20. For example, the conical diffuser 18 may exhibit a substantially quarter-elliptical profile when viewed in cross section. In other words, the shape of the conical diffuser 18 may be substantially defined by a quarter of an ellipse (shown in phantom). In particular, the curvature of the curved surface 26 may be defined by the radius of curvature of the ellipse, which is a function of the major radius, or semi-major axis length a , and the minor radius, or semi-minor axis length b , of the ellipse. Therefore, the dimensions a , b of the ellipse may be selected to adjust the curvature of the curved surface 26 in order to maintain a substantially constant and specific Froude number. Overall, the Froude number should be within 5% of the desired value, but localized variations should be smaller to avoid surface roughness which would induce excessive turbulence. As previously stated, this may minimize film thickness prior to the formation of a hydraulic jump, and may therefore

maximize kinetic energy dissipation rate due to shear to optimize chemical or physical reaction rates.

[0029] The parameters of the required ellipse may be calculated as follows. The radius of the orifice 16 of the inlet nozzle 12 may be designated as r_0 and the initial trial Froude number Fr chosen as 3 (this has proven to be a good starting point for optimization). However, it will be appreciated that any suitable Froude number may be chosen. For example, a Froude number between approximately 2 and 10 may be chosen. Preferably, a Froude number between approximate 3 and 6 may be chosen. The thickness L_0 of the inlet stream at the tip 20 of the conical diffuser 18 equals the inlet jet radius r_0 . Thus, at the tip 20 of the diffuser 18, $L_0 = r_0$. If $Fr = \sqrt{\frac{R}{L_0}}$, and $L_0 = r_0$, by substituting r_0 for L_0 , $Fr = \sqrt{\frac{R}{r_0}}$. Then by squaring both sides of the equation and then multiplying both sides by r_0 , the required radius of curvature R , at the tip 20 of the diffuser 18 becomes $R = r_0 \times Fr^2$. This is also equal to the major radius of curvature R_{max} of the ellipse. The largest radius of curvature of an ellipse $R_{max} = a^2/b$. Setting these equations equal, the minor radius b may be expressed in terms of the major radius a , such that $b = \frac{a^2}{r_0 Fr^2}$.

[0030] As the incoming stream of fluid passes over the curved surface 26 of the conical diffuser 18, moving away from the tip 20, the diameter of the flow path increases and the film thickness L decreases. At the point where the flow first becomes purely radial, at diffuser radius = b , the film thickness, designated L_b , can be calculated as the area of the inlet jet divided by the circumference at a radius = b , so that $L_b = \frac{\pi r_0^2}{2\pi b} = \frac{r_0^2}{2b}$. To maintain a substantially constant Froude number, the radius of curvature at b must be $R_b = L_b \times Fr^2 = \frac{r_0^2}{2b} \times Fr^2$. The minimum radius of curvature

of an ellipse $R_{\min} = b^2/a$. Thus, $b^2/a = \frac{r_0^2}{2b} \times Fr^2$. Substituting $\frac{a^2}{r_0 \times Fr^2}$ for b , and

simplifying, $a = \sqrt[5]{\frac{(r_0 \times Fr^2)^3 \times r_0^2 \times Fr^2}{2}} = \sqrt[5]{\frac{r_0^5 \times Fr^8}{2}} = r_0 \times \sqrt[5]{\frac{Fr^8}{2}}$. As an example, if $r_0 = 0.125$

centimeters and $Fr = 3$, then $a = 0.631$ centimeters and $b = 0.354$ centimeters.

[0031] It should be appreciated that surface roughness of the conical diffuser 18 should be held to less than 5% of L at a given point to avoid premature transition of the flow regime from laminar to turbulent. Thus, local variations in the radius of curvature R should be held to less than 5% of L at that point, or $0.05 R/Fr^2$.

[0032] It should also be appreciated that the conical diffuser 18 may extend radially past radius = b . In one embodiment, the Froude number may be selected so that a hydraulic jump may occur at radius = b . This may provide the minimum film thickness for a given inlet nozzle diameter and the maximum shear energy dissipation rate.

[0033] It should also be appreciated that the optimal shear energy dissipation rate may vary inversely with inlet nozzle diameter. For example, reducing the inlet diameter by 50% may permit the shear energy dissipation rate to be doubled while maintaining the same Froude number.

[0034] The conical diffuser 18 may be mounted within the radial flow processor 10 by way of a mounting assembly 27. For example, as shown in Fig. 1, the constant diameter portion 22 of the conical diffuser 18 may be attached to a mounting plate 28, which may be held in place by spokes 30. The spokes 30 may be spaced apart to provide outlet apertures 32, as shown in Fig. 1A. Therefore, fluid exiting the radial flow processor 10 may flow around the mounting plate 28 and between the spokes 30 through outlet apertures 32. In addition or alternatively,

apertures may be provided in the mounting plate for allowing fluid to flow therethrough (not shown).

[0035] As shown in Fig. 1, in one embodiment, the base portion 24 may include a flat-surfaced or generally planar bottom side 34 which intersects the constant diameter portion 22 of the diffuser 18 at a substantially right angle.

Alternatively, as shown in Fig. 2, where like numerals represent like features, in one embodiment, the base portion 24a may include a curved bottom side 34a having a radius for smoothly transitioning to the constant diameter portion 22a. For example, the bottom side 34a may have a substantially constant radius. The radius may provide fluid flowing from below the base portion 24a with a radial velocity component, and thus may reduce back pressure at diffuser radius = b . This may permit the use of a greater Froude number which in turn may result in a thinner fluid film at diffuser radius = b and a higher kinetic energy dissipation rate.

[0036] In one embodiment, the surfaces of the radial flow processor 10 subject to contact with the fluid may be constructed of a material having a high surface energy. For example, the inlet nozzle 12, conical diffuser 18, mounting plate 28, spokes 30, and/or the interior walls of the radial flow processor 10 may be constructed of nickel, platinum, copper, or the like, or any other suitable material having a high surface energy. Alternatively, such components may be constructed of a different material and the surfaces of the components that are exposed to the fluid may be coated with a material having a high surface energy. It will be appreciated that by providing a surface constructed of a material having a high surface energy, chemical reactions in the fluid contacting the surface may be enhanced by the high surface turnover rate. In this manner, the surface may advantageously act as a catalyst for promoting chemical reactions in the fluid.

[0037] In another embodiment, the radial flow processor 10 may be constructed such that the electrical charge on the surface of the conical diffuser 18 (e.g., the curved surface 26) may be different from the electrical charge on the surrounding surfaces (e.g., the interior walls of the radial flow processor 10). In this manner, efficient charge transfer may be provided to the fluid.

[0038] In one embodiment, a plurality of conical diffusers 18 may be installed in parallel in a manifold 40 to obtain a desired flow rate while maintaining an optimal energy dissipation rate, as shown in Fig. 3. In one embodiment, the conical diffusers 18 may each be mounted on a single mounting plate 42, which may be held in place within the manifold 40 by spokes 30.

[0039] In one embodiment, a radial flow processor 10 may be incorporated into a single-pass flow configuration 50, as shown in Fig. 4A. For example, a processing fluid may be drawn from a tank 52 by a pump 54, such as a centrifugal pump. The processing fluid may be pumped into a radial flow processor 10, where the fluid jet may impact upon the tip 20 of a conical diffuser 18. After the fluid passes over the conical diffuser 18, the fluid may exit the radial flow processor 10 via outlet apertures 36. The fluid may then be directed through a discharge or other processor 56, depending on the application.

[0040] In another embodiment, a radial flow processor 10 may be incorporated into a recirculation loop flow configuration 60, as shown in Fig. 4B. For example, a processing fluid may be drawn from a tank 52 by a pump 54, such as a centrifugal pump. The processing fluid may be pumped into a radial flow processor 10, where the fluid jet may impact upon the tip 20 of a conical diffuser 18. After the fluid passes over the conical diffuser 18, the fluid may exit the radial flow processor 10 via outlet apertures 36. The fluid may then be recirculated back to the tank 52,

from which it may be again pumped by the pump 54 to the radial flow processor 10 for additional processing.

[0041] While the present invention has been illustrated by a description of various preferred embodiments and while these embodiments have been described in some detail, it is not the intention of the Applicant to restrict or in any way limit the scope of the appended claims to such detail. Additional advantages and modifications will readily appear to those skilled in the art. Thus, the various features of the invention may be used alone or in numerous combinations depending on the needs and preferences of the user. There may be many variations of the design parameters which may be preferred, and the combination to be used will depend on preferences of the end user (e.g. pump performance parameters). Thus, alternative design parameters and methods of selecting design parameters may be used without departing from the spirit and scope of the present invention.

What is claimed is:

1. A liquid treatment apparatus for processing a liquid, comprising:
 an inlet nozzle including an orifice for directing a flow of liquid fluid through the orifice to define a fluid jet; and
 a conical diffuser including a tip, a base portion, and a curved surface therebetween, wherein the conical diffuser is generally aligned with the orifice such that the fluid jet impacts upon the tip of the conical diffuser, and wherein the curvature of the curved surface is selected to maintain a substantially constant Froude number of the liquid along the conical diffuser.

2. The liquid treatment apparatus of claim 1, wherein a profile of the conical diffuser, when viewed in cross section, is defined by a quarter of an ellipse.

3. The liquid treatment apparatus of claim 2, wherein the ellipse is defined by the following equations:

$$a = r_0 \times \sqrt[5]{\frac{Fr^8}{2}}$$

$$b = \frac{a^2}{r_0 \times Fr^2}$$

where a = the major radius of the ellipse

b = the minor radius of the ellipse

r_0 = the radius of the orifice

Fr = the desired Froude number.

4. The liquid treatment apparatus of any of the preceding claims, wherein the inlet nozzle includes a curved inlet wall.

5. The liquid treatment apparatus of any of the preceding claims, wherein the base portion includes a rear wall on a side of the base portion opposite to the tip that is generally planar.
6. The liquid treatment apparatus of any of claims 1-4, wherein the base portion includes a rear wall on a side of the base portion opposite to the tip that is generally curved, the curved rear wall having a substantially constant radius of curvature.
7. The liquid treatment apparatus of any of the preceding claims, further comprising a mounting plate to which the conical diffuser is mounted, the mounting plate including one or more apertures for allowing liquid to pass through the mounting plate.
8. The liquid treatment apparatus of any of the preceding claims, wherein the liquid treatment apparatus includes a plurality of inlet nozzles and a plurality of conical diffusers, each conical diffuser being generally aligned with a corresponding orifice of an inlet nozzle.
9. The liquid treatment apparatus of any of the preceding claims, wherein a surface of the liquid treatment apparatus is constructed of or coated with a material having a high surface energy for promoting a chemical reaction in the liquid fluid.
10. The liquid treatment apparatus of any of the preceding claims, wherein an electrical charge on a surface of the conical diffuser differs from an electrical charge on a surrounding surface of the liquid treatment apparatus.

11. A system for processing a liquid, comprising:
a tank for holding a liquid medium;
a pump; and
a liquid treatment apparatus according to any of claims 1-8, wherein the pump is configured to direct the liquid in the tank through the liquid treatment apparatus.
12. The system of claim 11, further comprising a recirculation loop for directing liquid treated by the liquid treatment apparatus back to the tank.
13. A method of treating a liquid, comprising:
directing a flow of liquid through an orifice to define a fluid jet;
impacting the fluid jet upon a conical diffuser having a tip, a base portion, and a curved surface therebetween; and
maintaining a substantially constant Froude number as the liquid flows from the tip toward the base portion of the conical diffuser.
14. The method of claim 13, wherein maintaining a substantially constant Froude number further comprises selecting the curvature of the curved surface in order to maintain a substantially constant Froude number.
15. The method of claim 14, wherein selecting the curvature of the curved surface further comprises defining a profile of the conical diffuser, when viewed in cross section, to be a quarter of an ellipse.
16. The method of claim 15, wherein defining the profile of the conical diffuser further comprises defining the ellipse by the following equations:

$$a = r_0 \times \sqrt[5]{\frac{Fr^8}{2}}$$

$$b = \frac{a^2}{r_0 \times Fr^2}$$

where a = the major radius of the ellipse

b = the minor radius of the ellipse

r_0 = the radius of the orifice

Fr = the desired Froude number

17. The method of any of claims 13-16, further comprising:
- (a) pumping a supply of liquid from a tank to the orifice;
 - (b) directing the liquid that has impacted the conical diffuser back to the tank;
- and
- (c) repeating steps (a) and (b).

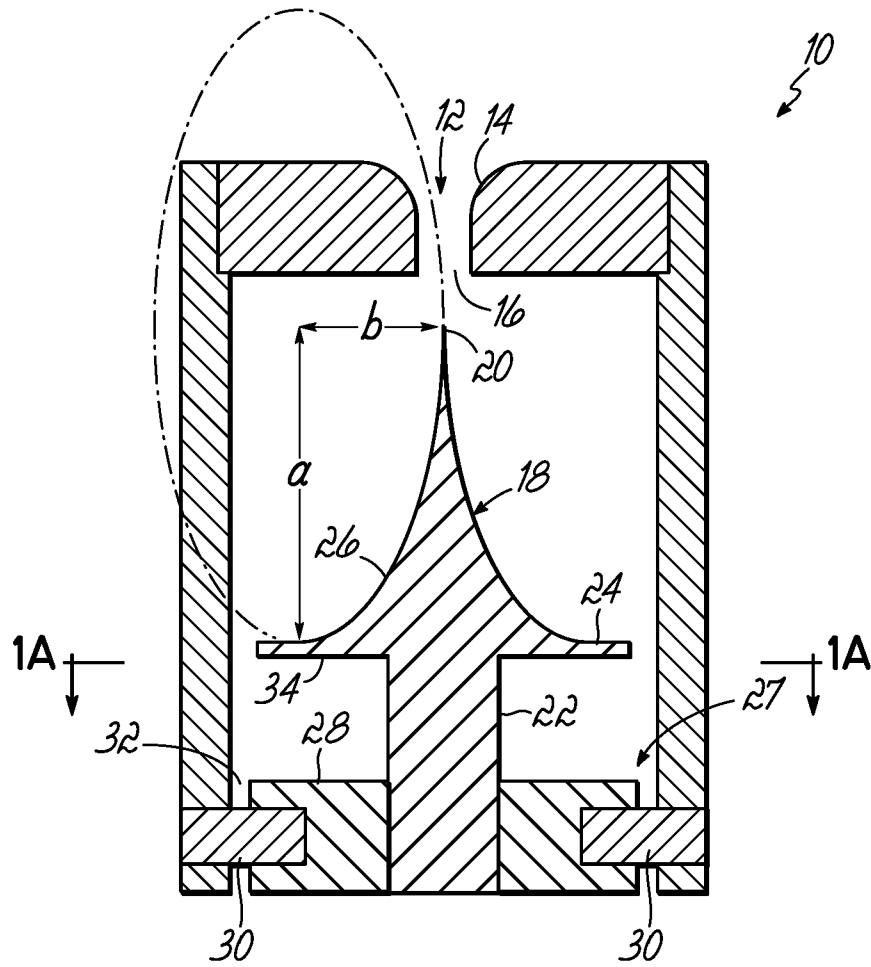


FIG. 1

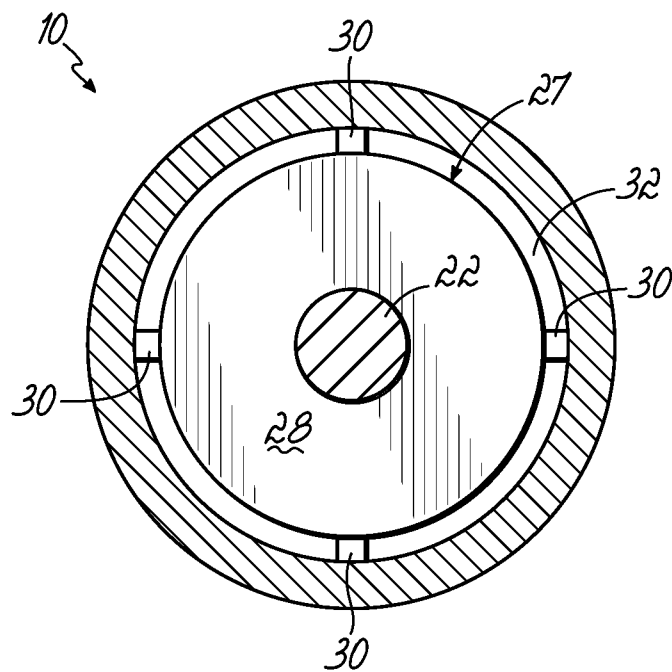


FIG. 1A

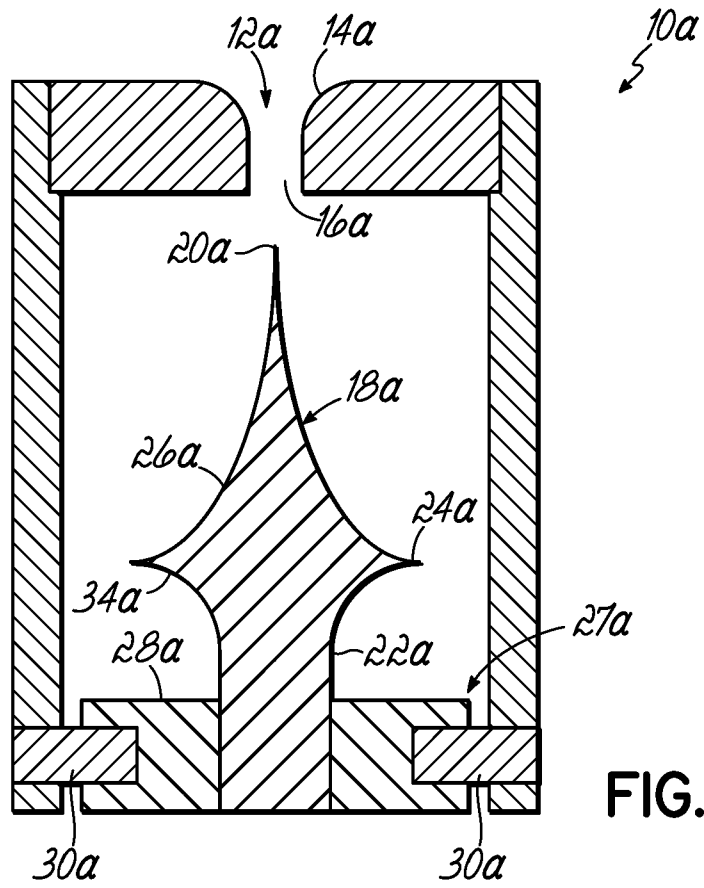


FIG. 2

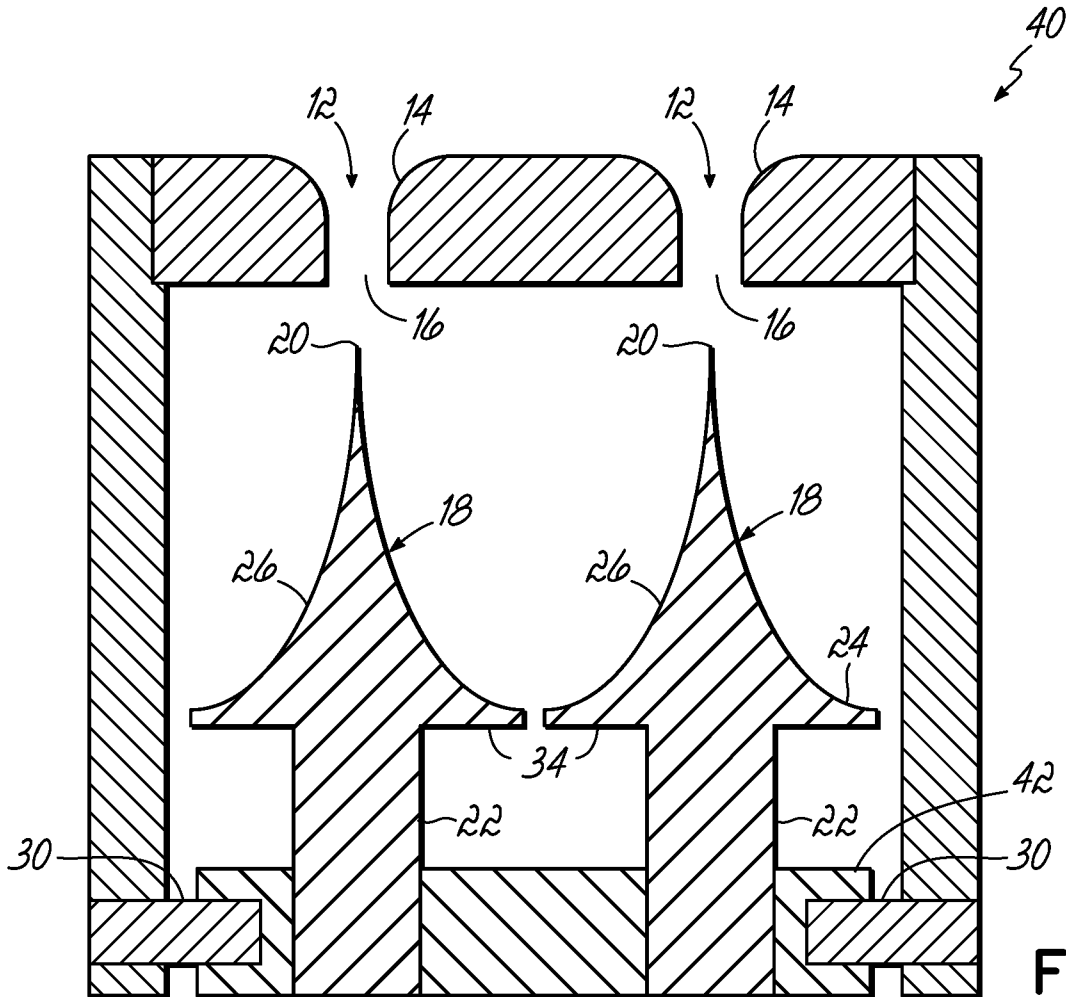


FIG. 3

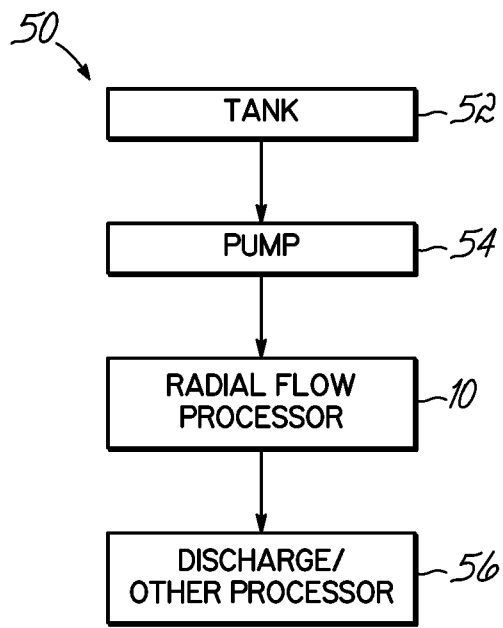


FIG. 4A

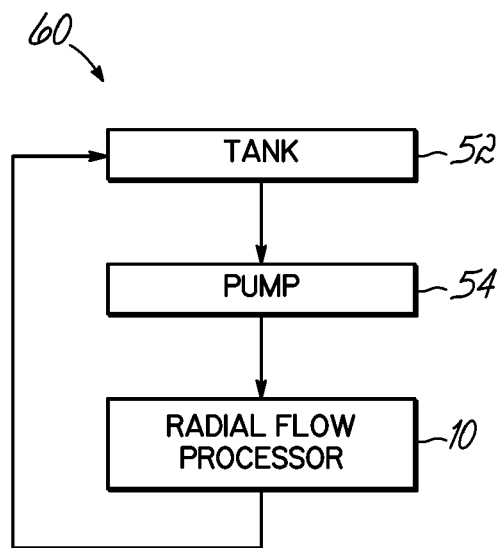


FIG. 4B

INTERNATIONAL SEARCH REPORT

International application No.

PCT/US2016/019693

A. CLASSIFICATION OF SUBJECT MATTER IPC(8) - F15D 1/10 (2016.01) CPC - F15D 1/10 (2016.02) According to International Patent Classification (IPC) or to both national classification and IPC		
B. FIELDS SEARCHED Minimum documentation searched (classification system followed by classification symbols) IPC(8) - B01F 5/02, 5/06, 5/10; F15D 1/04, 1/08, 1/10, 1/14 (2016.01) CPC - B01F 5/0268, 5/064, 5/0642, 5/0652, 5/0656, 5/0688, 5/0689; F15D 1/04, 1/08, 1/10, 1/14 (2016.02)		
Documentation searched other than minimum documentation to the extent that such documents are included in the fields searched USPC - 138/43; 210/137, 153, 634, 644, 749 (keyword delimited)		
Electronic data base consulted during the international search (name of data base and, where practicable, search terms used) PatBase, Google Patents, Google Scholar, Google Search terms used: liquid treatment, nozzle, inlet, diffuser, flow regulator, orifice, jet, conical, curvature, ellipse, Froude, constant		
C. DOCUMENTS CONSIDERED TO BE RELEVANT		
Category*	Citation of document, with indication, where appropriate, of the relevant passages	Relevant to claim No.
A	US 2002/0148222 A1 (ZASLAVSKY et al) 17 October 2002 (17.10.2002) entire document	1-4, 13-17
A	US 2012/0267294 A1 (HERMAN et al) 25 October 2012 (25.10.2012) entire document	1-4, 13-17
A	US 6,684,801 B1 (KUKLINSKI) 03 February 2004 (03.02.2004) entire document	1-4, 13-17
A	US 2001/0047836 A1 (WELKER) 06 December 2001 (06.12.2001) entire document	1-4, 13-17
<input type="checkbox"/> Further documents are listed in the continuation of Box C.		
<input type="checkbox"/> See patent family annex.		
* Special categories of cited documents: "A" document defining the general state of the art which is not considered to be of particular relevance "E" earlier application or patent but published on or after the international filing date "L" document which may throw doubts on priority claim(s) or which is cited to establish the publication date of another citation or other special reason (as specified) "O" document referring to an oral disclosure, use, exhibition or other means "P" document published prior to the international filing date but later than the priority date claimed "T" later document published after the international filing date or priority date and not in conflict with the application but cited to understand the principle or theory underlying the invention "X" document of particular relevance; the claimed invention cannot be considered novel or cannot be considered to involve an inventive step when the document is taken alone "Y" document of particular relevance; the claimed invention cannot be considered to involve an inventive step when the document is combined with one or more other such documents, such combination being obvious to a person skilled in the art "&" document member of the same patent family		
Date of the actual completion of the international search 19 April 2016		Date of mailing of the international search report 28 APR 2016
Name and mailing address of the ISA/ Mail Stop PCT, Attn: ISA/US, Commissioner for Patents P.O. Box 1450, Alexandria, VA 22313-1450 Facsimile No. 571-273-8300		Authorized officer Blaine R. Copenheaver PCT Helpdesk: 571-272-4300 PCT OSP: 571-272-7774

INTERNATIONAL SEARCH REPORT

International application No.

PCT/US2016/019693

Box No. II Observations where certain claims were found unsearchable (Continuation of item 2 of first sheet)

This international search report has not been established in respect of certain claims under Article 17(2)(a) for the following reasons:

1. Claims Nos.:
because they relate to subject matter not required to be searched by this Authority, namely:

2. Claims Nos.:
because they relate to parts of the international application that do not comply with the prescribed requirements to such an extent that no meaningful international search can be carried out, specifically:

3. Claims Nos.: 5-12
because they are dependent claims and are not drafted in accordance with the second and third sentences of Rule 6.4(a).

Box No. III Observations where unity of invention is lacking (Continuation of item 3 of first sheet)

This International Searching Authority found multiple inventions in this international application, as follows:

1. As all required additional search fees were timely paid by the applicant, this international search report covers all searchable claims.
2. As all searchable claims could be searched without effort justifying additional fees, this Authority did not invite payment of additional fees.
3. As only some of the required additional search fees were timely paid by the applicant, this international search report covers only those claims for which fees were paid, specifically claims Nos.:

4. No required additional search fees were timely paid by the applicant. Consequently, this international search report is restricted to the invention first mentioned in the claims; it is covered by claims Nos.:

Remark on Protest

- The additional search fees were accompanied by the applicant's protest and, where applicable, the payment of a protest fee.
- The additional search fees were accompanied by the applicant's protest but the applicable protest fee was not paid within the time limit specified in the invitation.
- No protest accompanied the payment of additional search fees.