

1/6

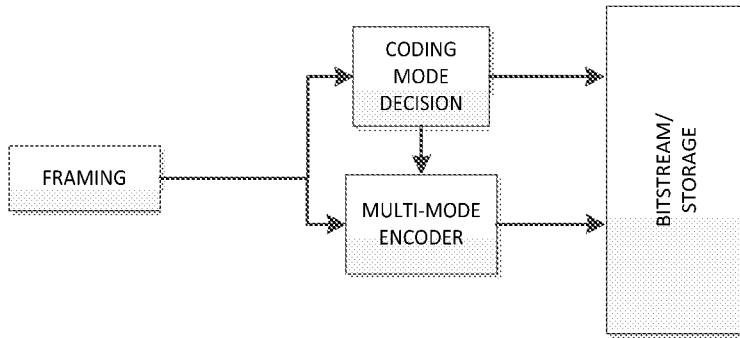


Figure 1a

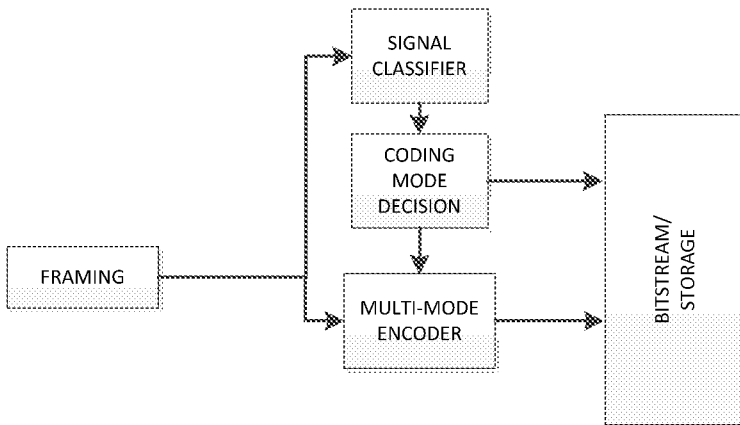


Figure 1b

2/6

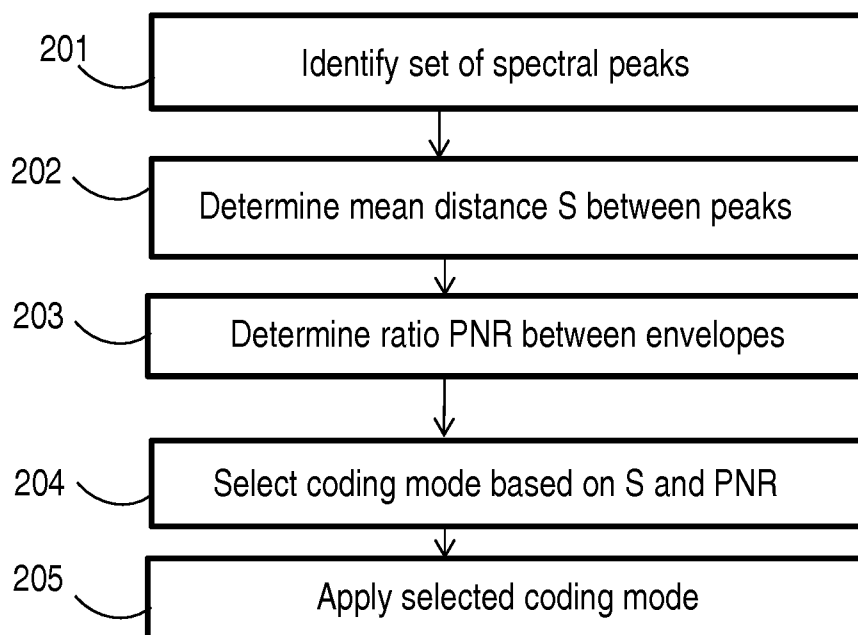


Figure 2

3/6

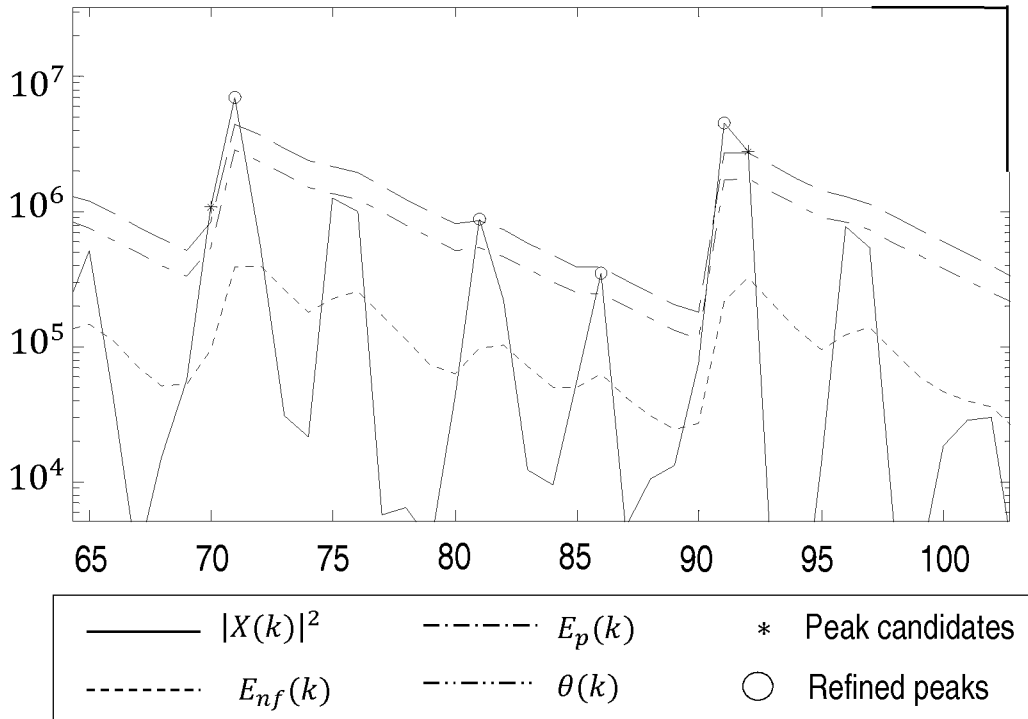


Figure 3a

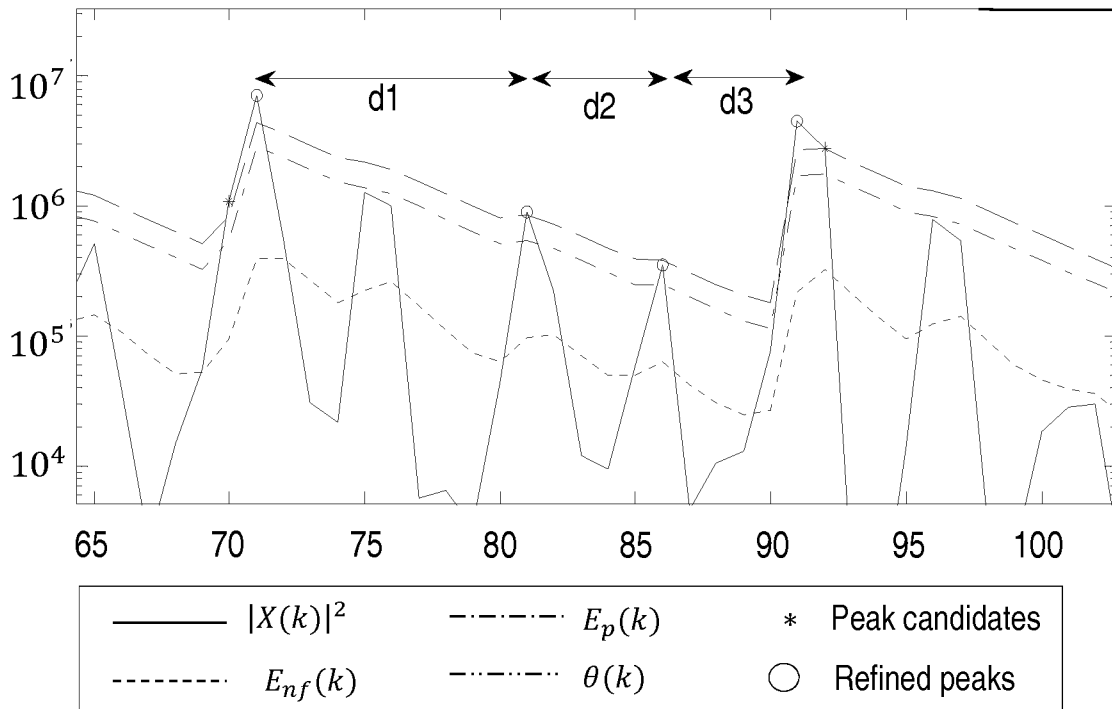


Figure 3b

4/6

$$\begin{aligned} \text{issparse} &= S > S_{THR} \\ \text{isclean} &= PNR > PNR_{THR} \end{aligned}$$

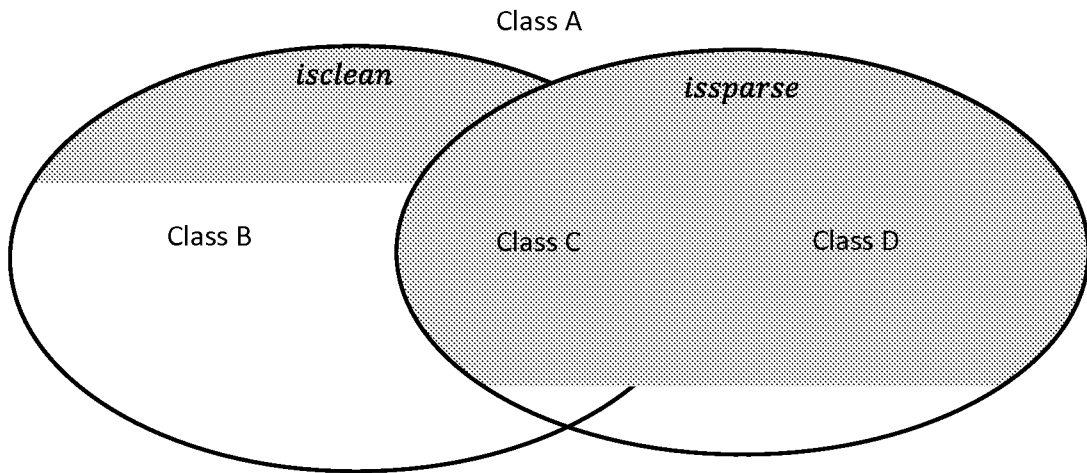


Figure 4

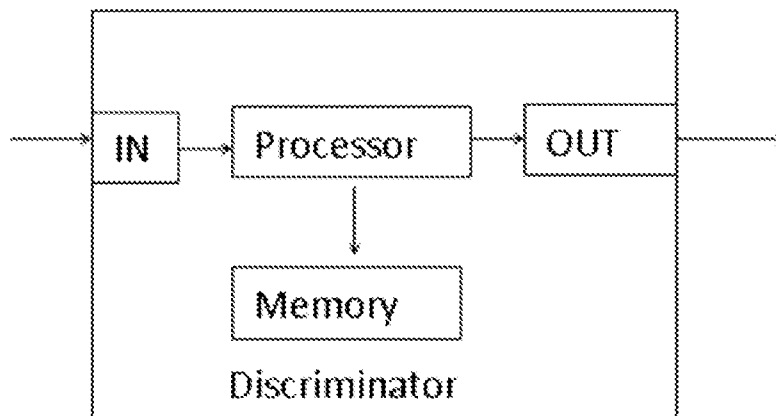


Figure 5d

5/6

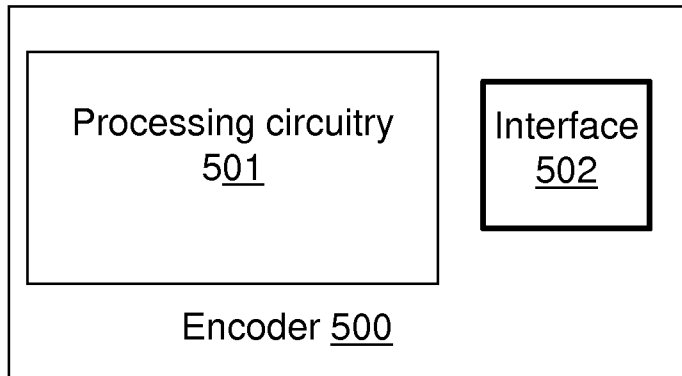


Figure 5a

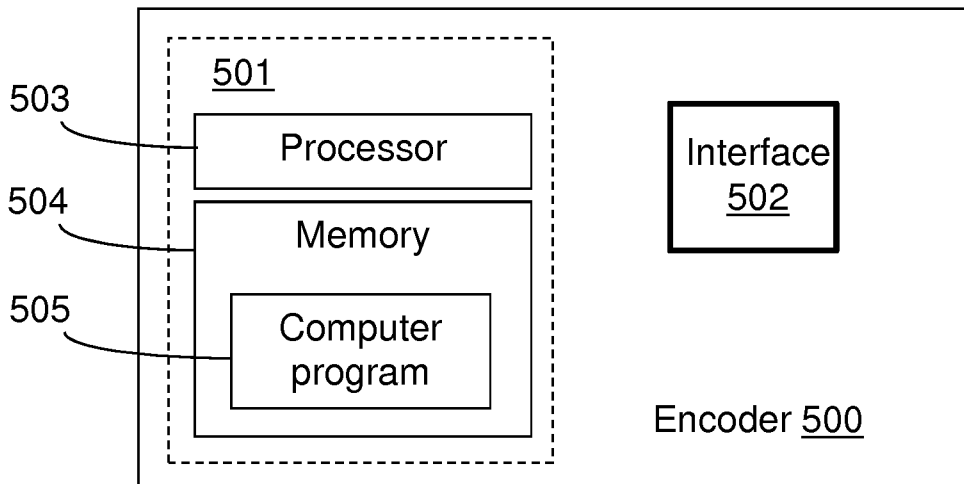


Figure 5b

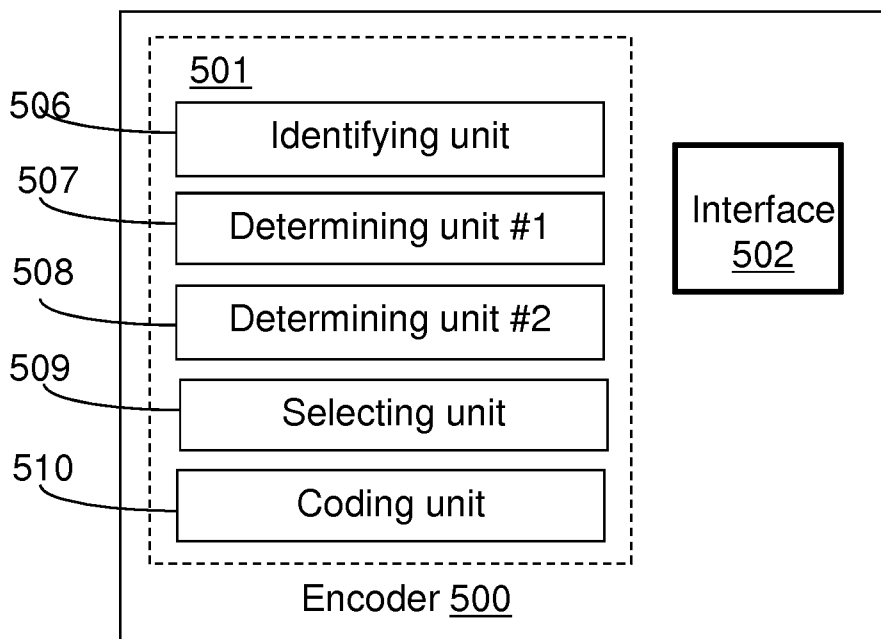


Figure 5c

6/6

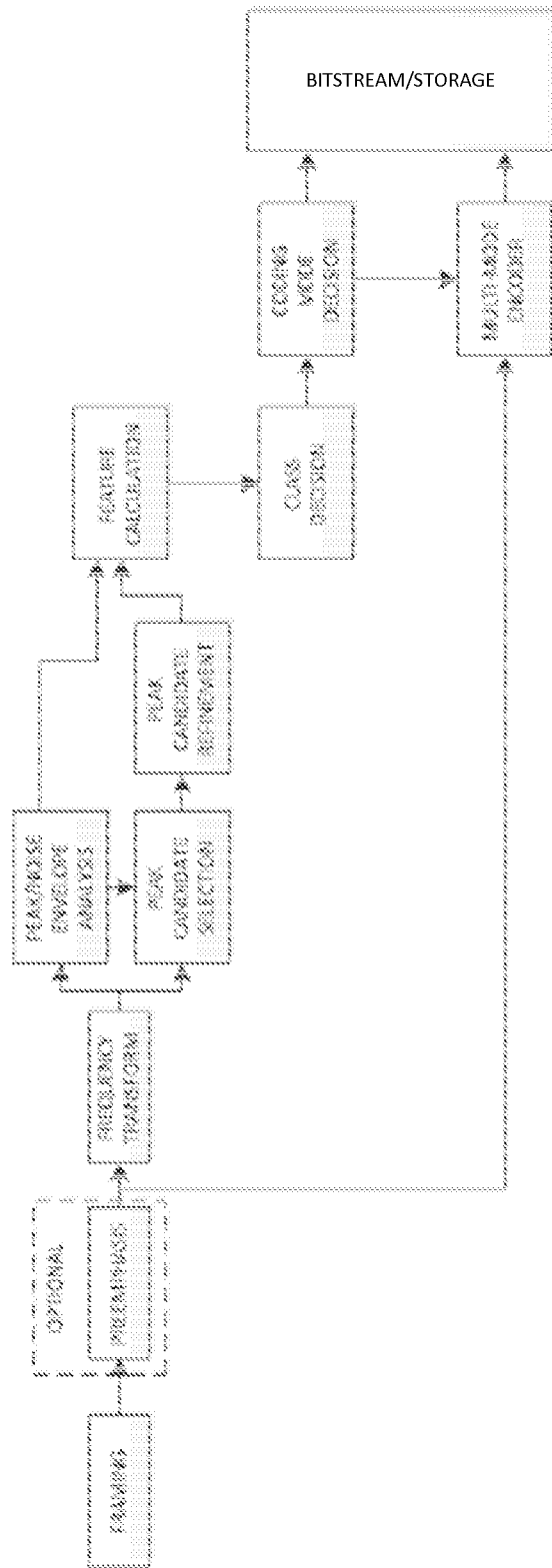


Figure 6