

TEST TUBE CAPPING AND DE-CAPPING APPARATUSFIELD

5 The present invention relates to a capping and de-capping device and a method for attaching and removing caps from tubes, and, more particularly, a device and method for removing screw-threaded caps from test tubes such as micro tubes used in laboratories or micro-biological
10 systems.

BACKGROUND

High value biological samples are often stored and
15 processed using so-called SBS format racks containing a plurality of test tubes. Such racks may contain, for example, 96 test tubes in an array of 8 by 12 apertures designed to hold the tubes securely. The test tubes and their contents may be maneuvered in a processing system,
20 for example between a cold store and various processing stations and may be required to be filled (partly or fully) or processed simultaneously or individually.

Conventionally, capping and de-capping has either been
25 carried out by hand or else by means of a capping and de-capping unit one test tube at a time, either while they are still held in the rack or after they have been separated from the rack. This is not only tedious (particularly in the case of manual capping and de-capping), but also slow as it is usual for multiple tubes
30 to require processing in the same way at the same time.

It is known to provide a linear array of capping and de-capping units to allow for the capping and de-capping of

a row of tubes, but such systems have been bulky as a result of the dimensions of the drive mechanisms for the capping and de-capping units, the close spacing of the test tubes requiring the drive mechanisms of the capping and de-capping units to be remote from the capping and de-capping heads and disposed over a larger footprint than the rack because of their size.

EP 1882949 disclose a capping and de-capping apparatus having a test tube rack support for supporting a rack containing a plurality of capped test tubes in a given position. A head unit supports a two-dimensional array of capping and de-capping spindles, each of which includes a clutch and a capping and de-capping spigot or socket, the spindles being aligned with the test tube positions defined in the rack. A drive mechanism moves the tubes and the head unit relatively towards and away from one another in use, when a rack containing capped test tubes is disposed in the rack support, causing engagement and disengagement of the spigots or sockets with and from the tube caps. A spindle drive system provides simultaneous rotation of the spigots or sockets together after engagement with the caps, either to attach caps to the tubes or detach caps from the tubes. Ejection of the caps from the spigots is caused by moving an external net in the opposite direction to the spindle translational movement thereby detaching all sockets from all caps in one movement.

30 SUMMARY

On this background the present applicants realized the need for a simple and customizable apparatus for capping and de-capping one or more test tubes held within the

tight confinement of standard laboratory test tube racks; which will permit each tube to be individually capped and de-capped for some laboratory uses while retaining the ability to cap or de-cap all tubes within the rack at the
5 same time for other uses.

This object is achieved by providing a apparatus for capping and de-capping test tubes having one or more capping and de-capping grippers equipped with a capping
10 and de-capping socket unit wherein said one or more grippers each are configured with an ejector pin moveably arranged within said one or more grippers and wherein said ejector pin may perform a translational movement relative to the said one or more grippers effecting the
15 release from the socket unit of a cap retained by the socket unit.

This object is further achieved by providing a capping and de-capping gripper equipped with a capping and de-
20 capping socket unit said gripper and socket unit so arranged as to permit said ejector pin to perform a translational movement relative to the said gripper and socket unit effecting the release from the socket unit of a cap retained by the socket unit.

25 This object is further achieved by providing said ejector pin with an actuator unit capable of rotating said ejector pin.

30 This object is further achieved by providing said capping and de-capping socket unit with a socket for grabbing and retaining a test tube cap adaptable to a plurality of different laboratory test tube systems.

This object is further achieved by combining the above apparatus with a programmable logic controller, microprocessor, or computer application, either internal or external to said apparatus, for controlling the movement of the gripper units and ejector pins individually, in subgroups of the total array of gripper units and ejector pins, or the totality of the gripper units and ejector pins and by providing a user interface permitting the user to select which gripper or grippers within the array of grippers that shall engage a corresponding tube within the rack.

Further objects, features, advantages, and properties of the apparatus and method according to the present disclosure will become apparent from the detailed description.

BRIEF DESCRIPTION OF THE DRAWINGS

In the following detailed portion of the present description, the teachings of the present document will be explained in more detail with reference to the exemplary embodiments shown in the drawings, in which:

Figures 1a and 1b present two different views of the capping and de-capping apparatus according to the teachings herein. In Figure 1a the combination of the apparatus according to the present invention with an external control unit is exemplarily shown without this embodiment being thereby considered preferred,

Figure 2 is a view of a capping and de-capping gripper according to the teachings herein,

Figure 3a is an exemplary view of four of the capping and de-capping socket units according to the teachings herein, and

5 Figure 3b is an exemplary view of a capping and de-capping socket unit combined with an external spring encircling the capping and de-capping socket.

DETAILED DESCRIPTION

10

In the following detailed description the capping and de-capping apparatus, the capping and de-capping gripper, the capping and de-capping socket unit and the application for controlling the capping and de-capping
15 grippers individually are described in detail with reference to the exemplary embodiments.

An embodiment of the capping and de-capping apparatus 100 according to the invention is depicted in detail in
20 Figure 1a and 1b. In Figure 1a an external control unit 160 is shown for illustrative purposes. As is clear to the skilled person, the control unit 160 can be external to the apparatus 100 for some purposes or can be integrated into the apparatus for other purposes. Further
25 the connection between the control unit 160 and the apparatus 100 may be a cable as shown in the figure or could be a WIFI-signal or other like options depending on the skilled person's choice, such choices being considered trivial in a modern laboratory setting.

30 The capping and de-capping apparatus 100 is equipped with a rack support 110 for supporting a tube rack 111, preferably a test tube rack, for containing in at least one given position within the rack 111 at least one tube

112, preferably a test tube, fitted to receive and/or dispose of a cap 113, preferably a screw cap.

The capping and de-capping apparatus 100 is further
5 equipped with a head unit 120 supporting a two-
dimensional array 121 (in the present exemplary
embodiment a 6 * 8 array) of capping and de-capping
grippers 122, each capping and de-capping gripper 122
including a capping and de-capping socket unit 123
10 capable of engaging and retaining a cap, the capping and
de-capping grippers 122 being aligned with the tube
positions within the rack 111.

The capping and de-capping apparatus 100 is also equipped
15 with a drive system 130 for moving the rack support 110
and head unit 120 relatively towards and away from one
another in use, when a rack 111 containing at least one
tube 112 is disposed in the rack support 110, to cause
engagement and disengagement of at least one capping and
20 de-capping socket unit 123 with and from the at least one
tube 112.

The capping and de-capping apparatus 100 is further
equipped with a drive system 140 for rotating at least
25 one capping and de-capping gripper 122 and the capping
and de-capping socket unit 123 attached thereto, said
rotation of the capping and de-capping socket unit 123,
after engagement of the at least one capping and de-
capping socket unit 123 with at least one cap 113, can
30 cause either attachment of the at least one cap 113 to
the at least one tube 112 within the rack 111 when the at
least one capping and de-capping gripper 122 rotate in
the one direction or detachment of the at least one cap
113 from the at least one tube 112 when the at least one

capping and de-capping gripper 122 rotate in the other direction.

Further, the capping and de-capping apparatus 100 is
5 further equipped with a drive system 150 internal to the
head unit 120, permitting a first attachment body 151 and
a second attachment body 152 to perform a movement
towards and away from each other independently of the
movement of the head unit 120 when moved by the drive
10 system 150.

Finally, the capping and de-capping apparatus 100 is
further equipped with a control unit 160, said control
unit being preferably a programmable logic controller, a
15 microprocessor, or a computer application, said control
unit 160 being either internal or external to said
apparatus 100, for controlling the movement, both
translational and rotational, of the gripper units and
ejector pins individually, in subgroups of the total
20 array of gripper units and ejector pins, or the totality
of the gripper units and ejector pins and by providing a
user interface permitting the user to select which
gripper or grippers within the array of grippers that
shall engage a corresponding tube within the rack. In a
25 preferred embodiment the control unit 160 is equipped
with means 270 for measuring the torque associated with
each rotating gripper, preferably by measuring the
current supplied to the drive system 140 needed to
effectuate a continued rotation of at least one gripper,
30 and means 280 for terminating the rotation of the at
least one gripper if a given threshold value is exceeded.

An embodiment of the capping and de-capping gripper 122 according to the invention is depicted in detail in Figure 2.

5 The capping and de-capping gripper 122 comprises a capping and de-capping socket unit 123 capable of engaging and retaining a cap, said capping and de-capping socket unit 123 having a through going passage 211, an ejector pin guide 220 also having a through going passage
10 221, and an ejector pin 230, and wherein the socket unit 123 and the ejector pin guide 220 are so arranged to permit said ejector pin 230 to perform a translational movement within said socket unit 123 and said ejector pin guide 220.

15

The ejector pin 230 is stationary with respect to the above mentioned first attachment body 151, for example because it is attached to said first attachment body 151. Likewise the ejector pin guide 220 is stationary with
20 respect to said second attachment body 152, for example because it is attached to said second attachment body 152. Accordingly, upon the activation of the drive system 150, said translational movement of said ejector pin 230 within said socket unit 123 and said ejector pin guide
25 220 can be effectuated.

While it is possible for said capping and de-capping socket unit 123 and said ejector pin guide to be manufactured in one piece, it is preferred that they are
30 not. Therefore in a preferred embodiment the capping and de-capping socket unit 123 is attachable and detachable to said ejector pin guide 220 such that when said capping and de-capping socket unit 123 is attached to said ejector pin guide 220, said ejector pin 230 may perform a

translational movement within the said ejector pin guide 220 attached to the said capping and de-capping socket unit 123.

5 The drive system 140 for rotating the ejector pin 230 comprises a plurality of actuator units 240 coupled to said ejector pin 230, each actuator unit 240 comprising an actuator 250, preferably an electro motor, mechanically coupled to said ejector pin 230. In a
10 preferred embodiment of the actuator unit 240, said actuator 250 is mechanically coupled to said ejector pin 230 by means of a gear 260. Additionally the drive system 140 may comprise internal or external means 270 for sensing the torque on said ejector pin 230, e.g. if the
15 actuator 250 is an electro motor, by detecting a change in the current supplied to the actuator 250, and internal or external means 280 for halting the actuator movement if a certain threshold torque is exceeded. Preferably, however, the means 270 for sensing torque and the means
20 280 for halting the actuator movement are associated with the control unit 160.

In this further embodiment wherein said ejector pin 230 is rotated by said actuator unit 240, preferably in the
25 configuration of an actuator 250 coupled to a gear 260, said ejector pin 230 includes means 231 for transferring the rotational movement created by said actuator unit 240 to said ejector pin guide 220 or said capping and de-capping socket unit 123. In one embodiment said means 231
30 for transferring the rotational movement of said ejector pin 230 to said ejector pin guide 220 consists in a pin 232 protruding from said ejector pin 230 at a right angle and into a longitudinal groove 221 in the ejector pin guide 220.

In a further embodiment the ejector pin guide 220 further comprises means 222 for attaching a capping and de-capping socket unit 123 to said ejector pin guide 220. In
5 a preferred embodiment the means 222 for attaching a capping and de-capping socket unit 123 further comprises a biasing means 223, preferably a coil spring.

An embodiment of the capping and de-capping socket unit
10 123 according to the invention is depicted in detail in Figure 3.

A capping and de-capping socket unit 123 capable of engaging and retaining a cap 113, preferably a test tube
15 cap, for use with a capping and de-capping gripper 122 having a gripper connector 310 for attaching and detaching to said capping and de-capping gripper 122, or in the most preferred embodiment, to said ejection pin guide 220, is described in Figure 3. The less preferred
20 embodiment of a capping and de-capping socket unit permanently attached to said ejection pin guide is not shown in the figure. It is however to be understood, and such is also clear from the contents of Figure 3, that the socket unit 123 is so conceived that the manner of
25 which it engages and disengages a cap is independent of how it attaches to the ejector pin guide 220, and whether this attachment is permanent or not.

Both in the embodiment of a socket unit 213 permanently
30 attached to said ejector pin guide 220 or in the preferred embodiment of a socket unit 123 which is attachable and detachable to said ejector pin guide 220, said socket unit 123 comprises a socket 320 for connecting to a cap, preferably a test tube cap, and even

more preferably a screw cap for a test tube. In the preferred embodiment of an attachable or detachable socket unit 123, the socket unit 123 may further comprise a mechanical connection 330 between said gripper connector 310 and said socket 320, said gripper connector 310, said socket 320 and said optional mechanical connection 330 each having a through going passage 221.

The socket unit 123 and ejector pin guide 220 are preferably manufactured from a plastics material, preferably in a molding process such as injection molding. When the socket unit is permanently attached to said ejector pin guide 220, also this assembly may be manufactured from a plastics material, preferably in a molding process such as injection molding. When the socket unit 123 is not permanently attached to said ejector pin guide 220, said ejector pin guide 220 may also be manufactured from a material different from plastics, including metals such as but not limited to, aluminum or stainless steel, and using other means for manufacturing of said ejector pin guide 220 than injection molding.

Known plastics materials which are useful in the manufacture of the socket unit 123 and ejector pin guide 220 can be PEEK (Polyetheretherketone) or POM (Polyoximethylene) but also other plastics materials will be known to the skilled person.

The socket 320 is described in further detail in Figures 3a and b. A variety of test tube caps are known in the art and it is a further aim of the present invention to enable the attachment of the socket unit 123 in a simple

manner to the test tube caps by applying a simple and adaptable method of attachment.

To this purpose each socket 320 is equipped with at least
5 one friction pin 321, but preferably with a plurality of
friction pins 321. A socket 320 according to the
invention further has a through going passage 221, to
permit the passage of the said ejector pin 230 through
the said socket 320.

10

A socket 320 according to the present invention is so
manufactured that upon engagement with a test tube cap
113, the socket 320 is squeezed over the test tube cap
113 and/or, where the test tube cap 113 contains a groove
15 for inserting a socket into said groove, the socket 320
may further be inserted into said groove. Independently of
the method of attachment for use with a specific test
tube cap, the at least one friction pin 321 ensures a
tight contact between the socket 320 and the test tube
20 cap 113 such that when the capping and de-capping gripper
122 is undergoing a movement, either a translation or a
translation combined with a rotation, the cap 113 is
retained within the socket 320 until ejected using the
ejector pin 230.

25

In one embodiment of the socket 320, for use with a test
tube cap 113 that does not have a groove into which a
socket can be inserted, the socket 320 has an inner
geometrical shape that matches the outer geometrical
30 shape of the test tube cap 113, that it is about to
engage with the at least one, but preferably a plurality
of friction pins 321 arranged on the inner surface of the
socket, such that the pins protrude towards the center of
the ejector pin guide 220.

In another embodiment of the socket 320, for use with a cap 113 that does have a groove into which a socket can be inserted, the socket 320 has at least one, but preferably a plurality of friction pins 321 arranged on the surface of said socket 320 facing away from the said ejector pin guide 220.

In a further embodiment, for use with some test tube caps, it is preferable to combine the two previous modes of arranging the at least one friction pin 321.

In Figures 3a and 3b an improvement of the socket unit 123 is shown which offers enhanced attachment to a test tube cap 113, this being particularly useful when said cap is damaged or worn, wherein a spring 340 is placed externally to the socket 320, encircling said socket, thereby providing either an internal friction force on a cap, when mounted internally (Figure 3a) or a compression force (Figure 3b) towards the center of the socket 320 and thus increasing the friction on said cap 113 exerted by the at least one friction pin 321. The shape of the spring is determined by shape of the socket 320 to which it is external. The spring 340 may be made from any elastic material, but preferentially it is made from an elastomer, such as (but not limited to) rubber or PVC, preferentially in the form of an O-ring, or circlips such as e.g. a metallic spring ring.

In operation, the head unit 120 is moved towards the rack support 110 by the drive system 130. A capping and de-capping gripper 122 engages an opposing cap 113 on an opposing test tube 112 via the socket 320 on the socket unit 123. Disengagement of the cap 113 from the test tube

112 is brought about by the concerted movement of the drive system 130 moving now the head unit 120 away from the rack support 110 and a rotational movement of the actuator unit 240 connected to said capping and de-capping gripper 122 in contact with said cap 113. Caps in contact with a capping and de-capping gripper 122 but not undergoing a rotation by the actuator unit 240 forming part of such a capping and de-capping gripper 122 are not removed from their respective test tubes 112.

10

To attach a removed cap, the above procedure is reversed. It is stopped when the means 270 for sensing the torque on the ejector pin registers that a certain threshold torque is exceeded. The tube 112 now having a cap has its cap ejected from the socket 320, by moving said tube 112 towards the ejector pin 230 by the drive mechanism 150, whereby the socket unit 123 and ejector pin guide 220 are moved past that end of the ejector pin 230 that is in contact with the cap 113 and said cap is thereby released, freeing the capping and de-capping system 100 to perform a new cycle of capping and de-capping.

20

The term "comprising" as used in the claims does not exclude other elements or steps. The term "a" or "an" as used in the claims does not exclude a plurality. The controller may fulfill the functions of several means recited in the claims. The reference signs used in the claims shall not be construed as limiting the scope.

30

Although the present invention has been described in detail for purpose of illustration, it is understood that such detail is solely for that purpose, and variations

can be made therein by those skilled in the art without departing from the scope of the invention.

CLAIMS:

1. A capping and de-capping apparatus (100) for capping
5 and de-capping capable tubes (112) disposed in a
rack (111) with a two dimensional array of apertures
for holding said tubes, said apparatus (100)
comprising:
- 10 - a rack support (110) for supporting said rack
(111),
 - a head unit (120) supporting a two-dimensional
array (121) of capping and de-capping grippers
15 (122), each capping and de-capping gripper (122)
including a capping and de-capping socket unit
(123) configured for engaging and retaining a cap
(113), said capping and de-capping grippers (122)
being aligned with tube apertures defined by the
20 array in said rack (111),
 - a drive mechanism (130) for moving the rack
support (110) and head unit (120) relatively
towards and away from one another, to cause
25 engagement or disengagement of at least one
capping and de-capping socket unit (123) with or
from a cap (113) of at least one tube (112); and
 - a drive system (140) for rotating at least one
30 capping and de-capping gripper (122) and the
capping and de-capping socket unit (123) attached
thereto, wherein rotation of the capping and de-
capping socket unit (123), after engagement of the
at least one capping and de-capping socket unit

(123) with at least one cap (113), causes attachment of the at least one cap (113) to the at least one tube (112) within the rack (111) when the at least one capping and de-capping gripper (122) rotates in one direction and causes detachment of the at least one cap (113) from the at least one tube (112) when the at least one capping and de-capping gripper (122) rotates in the opposite direction,

10 **characterized in that**

- 15 - the at least one capping and de-capping gripper (122) has a through going passage (221) extending through the at least one capping and de-capping gripper (122) and the capping and de-capping socket unit (123) attached thereto,
- 20 - an ejector pin (230) moveably arranged within said through going passage (221);
- 25 - and wherein said ejector pin (230) is configured to perform a translational movement relative to the at least one capping and de-capping gripper (122) and capping and de-capping socket unit (123) attached to said gripper (122) thereby effecting a release of a cap (113) retained within the capping and de-capping socket unit (123).

30 2. A capping and de-capping apparatus (100) according to claim 1 comprising a plurality of capping and de-capping grippers (122) each with a capping and de-capping socket unit (123) attached thereto so configured that each capping and de-capping gripper

(122) may engage and/or disengage a cap (113) independently.

3. A capping and de-capping apparatus (100) according
5 to claim 1 or 2, configured such that each tube
(112) received in said rack (111) can be capped
and/or de-capped independently.
4. A capping and de-capping apparatus (100) according
10 to any one of the claims 1 to 3 wherein said
apparatus further comprises a control unit (160)
configured to control the operation of each of said
capping and de-capping grippers (122) and each of
said ejector pins (230) independently from one
15 another.
5. A capping and de-capping apparatus (100) according
to any one of the claims 1 to 4 wherein the said cap
(113) is a screw cap.
20
6. The capping and de-capping apparatus (100) according
to any one of the claims 1 to 5 further comprising a
user interface associated with said control unit
(160) and configured to permit a user to decide
25 which capping and de-capping gripper (122) shall
engage and/or disengage a said tube (112) configured
to receive and/or dispose of a cap (113) placed
within said rack (111) at a position corresponding
to the position of said capping and de-capping
30 gripper (122) within said head unit (120).
7. A capping and de-capping gripper (122) comprising

- a capping and de-capping socket unit (123) capable of engaging and retaining a cap (113), having a through going passage (221),
- an ejector pin guide (220) also having a through going passage (221), and
- an ejector pin (230);

and wherein said socket unit (123) and said ejector pin guide (220) are so aligned that when said socket unit (123) is attached to said guide (220), said ejector pin (230) can perform a translational movement within the said guide (220) and said socket unit (123).

8. A capping and de-capping gripper (122) according to claim 7 wherein the said socket unit (123) is attachable and detachable to the said ejector pin guide (220).

9. A capping and de-capping gripper (122) according to either claim 7 or claim 8 further comprising

- an actuator unit (240) configured to induce a rotational movement in said ejector pin (230) upon actuation,

- said actuator unit (240) comprising an actuator (250), preferably an electro motor, and optionally, a gear (260), and

- said actuator unit (240) attached to said ejector pin (230), and

30

- a means 231 for transferring a rotational movement of said ejector pin (230) to said ejector pin

guide (220) or to said capping and de-capping socket unit (123).

10. The capping and de-capping gripper of claim 9
5 further comprising a sensor configured to detect the torque on said actuator unit 240 and internal or external means for halting the rotational movement of said actuator unit 240 if a predetermined threshold value of torque acting on said actuator
10 unit 240 is exceeded.

11. A plurality of capping and de-capping grippers (123) according to any of the claims 7 to 10 so arranged within said capper and de-capper apparatus
15 (100) that each capping and de-capping gripper 123 is individually rotationally actuated and controlled.

12. A capping and de-capping socket unit (123)
20 capable of engaging and retaining a cap for use with a capping and de-capping gripper (122) according to any of the claims 7 to 11 comprising

- a gripper connector (310),
- 25 - a socket (320), and optionally
- a mechanical connection (330) between said gripper connector (310) and said socket (320);

each of said gripper connector (310), said socket
30 (320), and said optional mechanical connection (330) having a through going passage (221)

characterized in that:

when the gripper connector (310), the socket (320), and the optional mechanical connection (330) are assembled to form said socket unit (123) the through going passages (221) are so aligned that when said capping and de-capping socket unit (123) is attached to said guide (220), said ejector pin (230) can perform a translational movement within the said guide (220) and said socket unit (123).

10 13. A capping and de-capping socket according to claim 12 further comprising a biasing means (223), preferably a coil spring, external to the said mechanical connection (330).

15 14. A capping and de-capping socket (320) for use in a capping and de-capping socket unit (132) according to any of the claims 12 or 13 comprising

- a through going passage (221), and
- 20 - at least one friction pin (321) oriented towards, away, or both towards and away, at right angles from the center line of said through going passage (221),

25 characterized in that

the said at least one friction pin (321) is oriented to either grab around a cap (113) or to be inserted into a cavity within said cap (113) or both to grab around and to be inserted into said cap (113).

30

15. A capping and de-capping socket (320) according to claim 14 further comprising an external spring (340) encircling said capping and de-capping socket

(320), preferably the external spring (340) is an O-ring manufactured from an elastomeric material.

- 5 16. A capping and de-capping socket unit (123) or a capping and de-capping socket (320) according to any the claims 12 to 15 made from plastics, preferably PEEK or POM.
- 10 17. A capping and de-capping socket unit (123) or a capping and de-capping socket (320) according to claim 16 having been injection molded.
- 15 18. An apparatus (100) according to any of the claims 1 to 6 comprising at least one capping and de-capping gripper (122) according to any of the claims 7 to 11 and at least one capping and de-capping socket unit (123) according to any of the claims 12 to 17.
- 20 19. Use of an apparatus (100) according to any of the claims 1 to 6 or 18.
- 25 20. A method of operating an apparatus (100) according to any one of claim 1 to 6 or 18, to attach or detach at least on cap, said method comprising:
- moving the head unit 120 towards the rack support 110 by the drive system 130,
 - 30 - a capping and de-capping gripper 122 engages an opposing cap 113 on an opposing test tube 112 via the socket 320 on the socket unit 123, and
 - disengagement of the cap 113 from the test tube 112 is brought about by the concerted movement

of the drive system 130 moving the head unit 120 away from the rack support 110 and a simultaneous rotational movement of at least one gripper unit 122 caused by the at least one actuator unit 240 connected to said at least one capping and de-capping gripper 122 in contact with said cap 113, whereby

- caps in contact with a capping and de-capping gripper 122 but not undergoing a rotation by the actuator unit 240 forming part of such a capping and de-capping gripper 122 are not removed from their respective test tubes 112; and
- to attach a removed cap, the above steps are reversed and stopped when the means 270 for sensing the torque on the ejector pin registers that a certain threshold torque is exceeded; and
- to eject the tube 112 now having a cap by moving said tube 112 towards the ejector pin 230 by the drive mechanism 150, whereby the socket unit 123 and ejector pin guide 220 are moved past that end of the ejector pin 230 that is in contact with the cap 113 thereby releasing the said tube 112, freeing the capping and de-capping apparatus 100 to perform a new cycle of capping and de-capping.

ABSTRACTTUBE CAPPING AND DE-CAPPING APPARATUS

5

An apparatus for automated capping and de-capping of test tubes having an ejector pin system for individualized cap ejection.

1/5

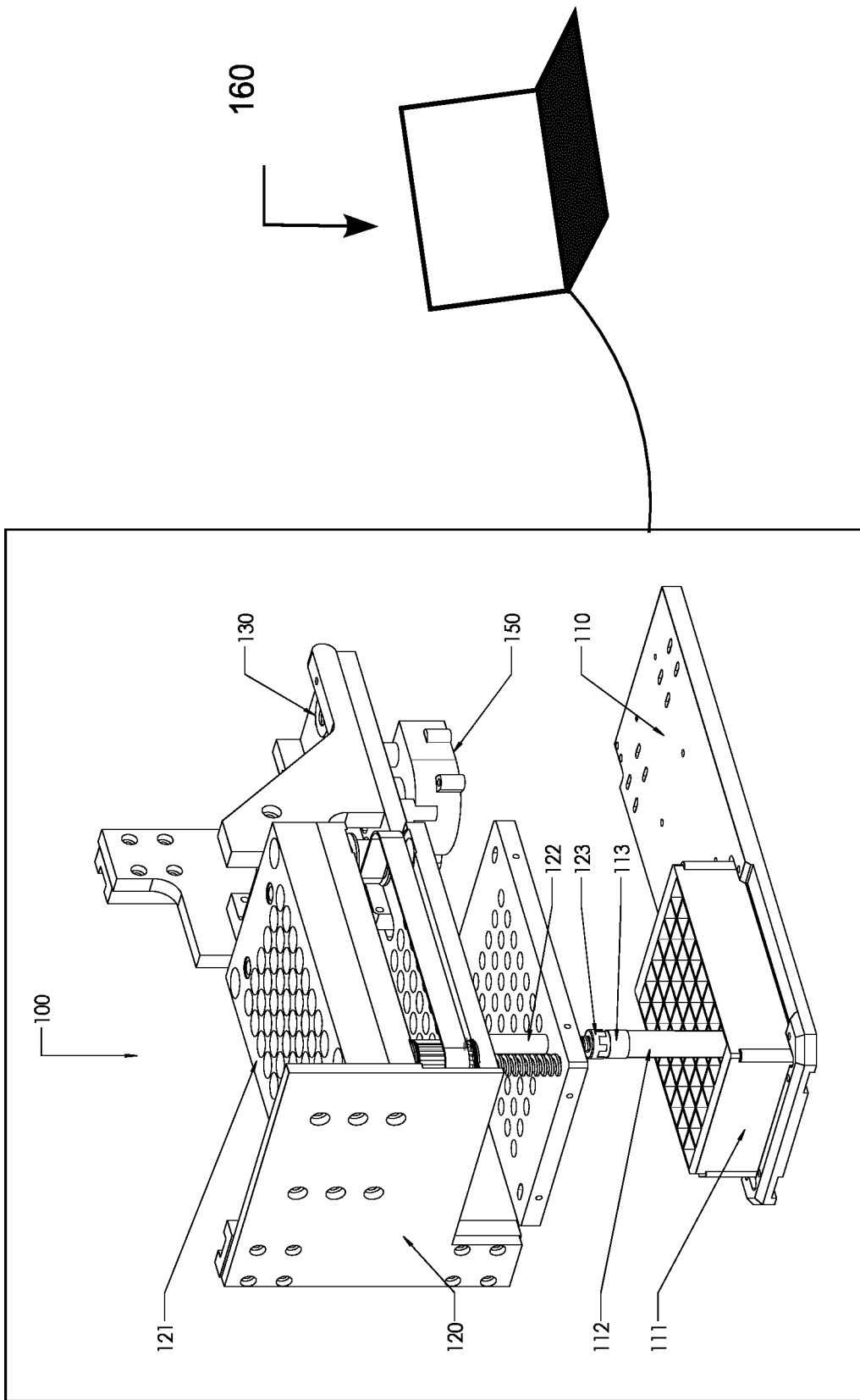


Figure 1a

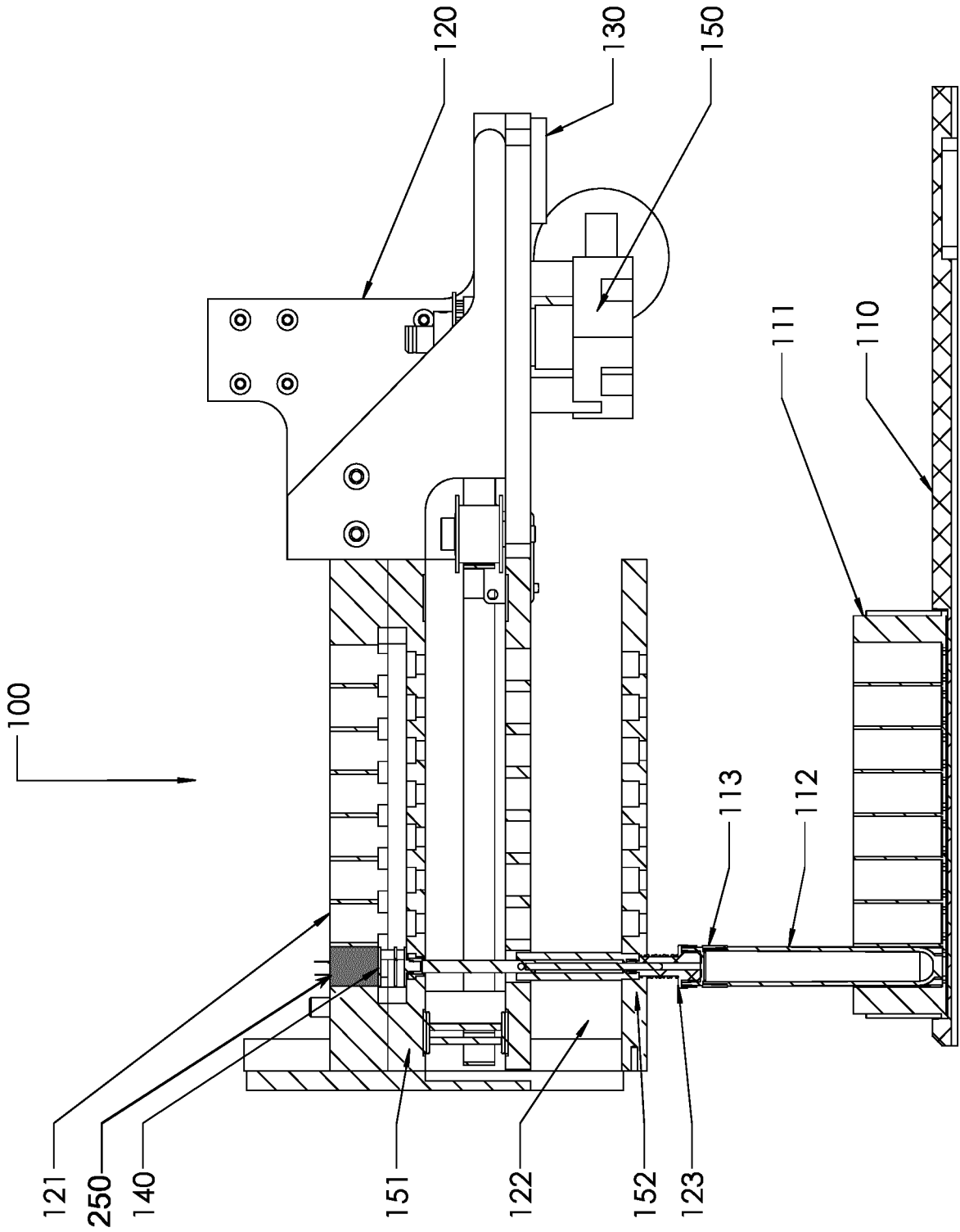


Figure 1b

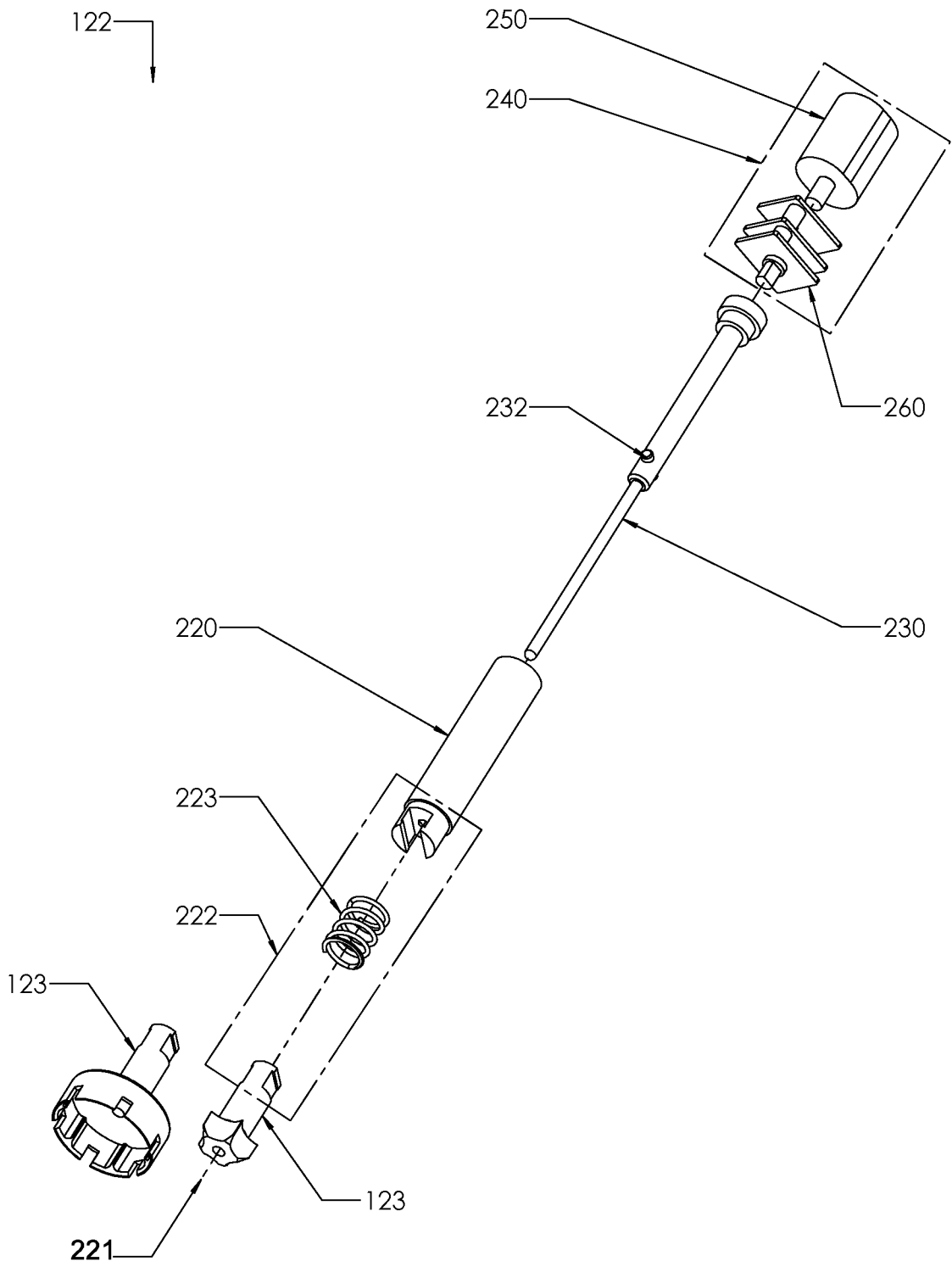


Figure 2

4/5

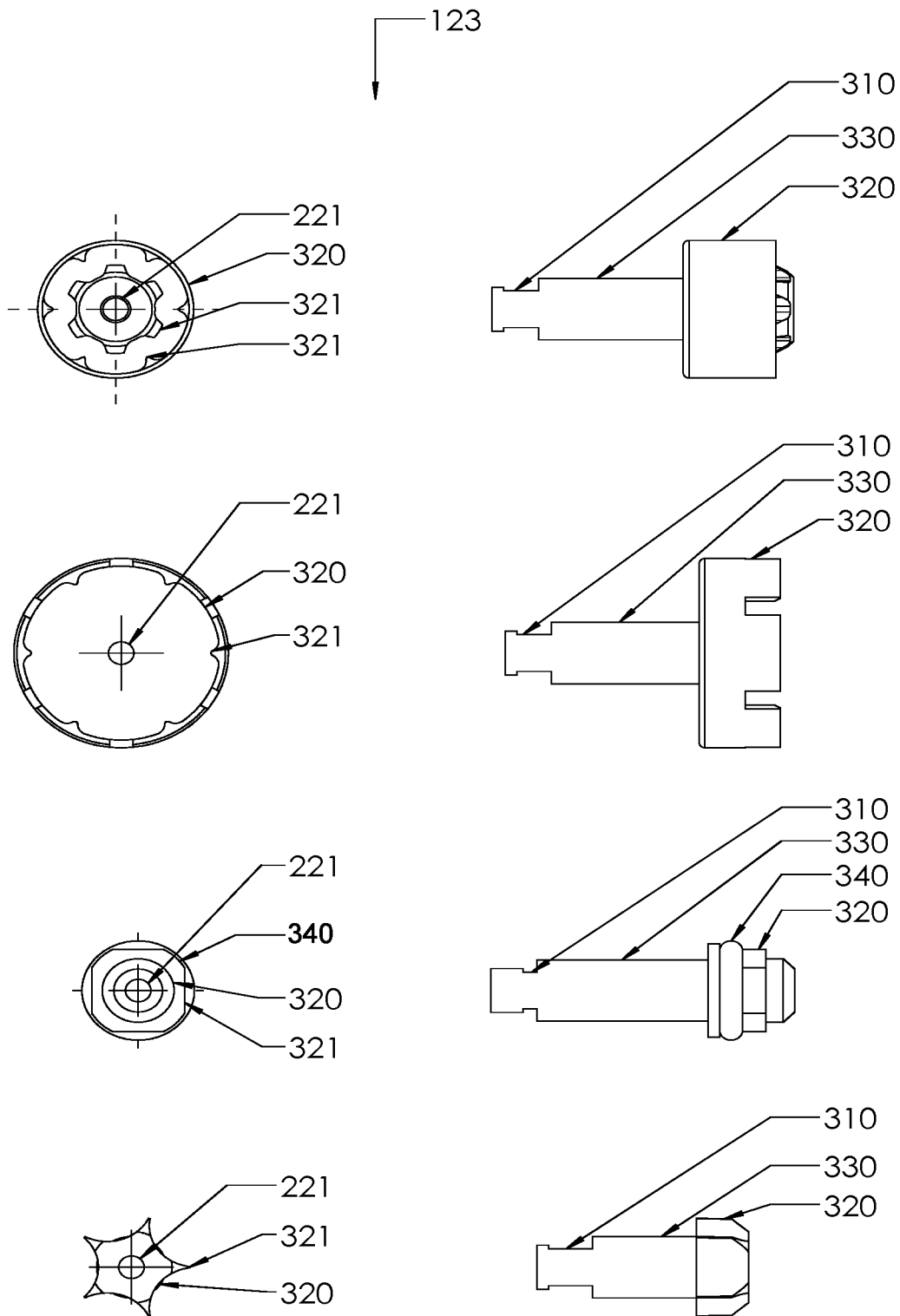


Figure 3a

5/5

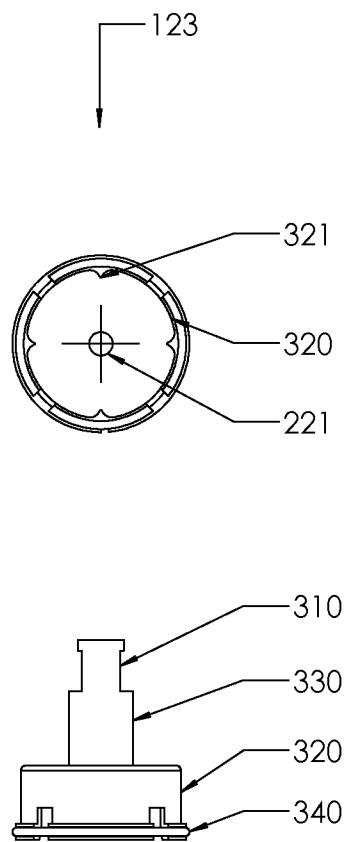


Figure 3b