

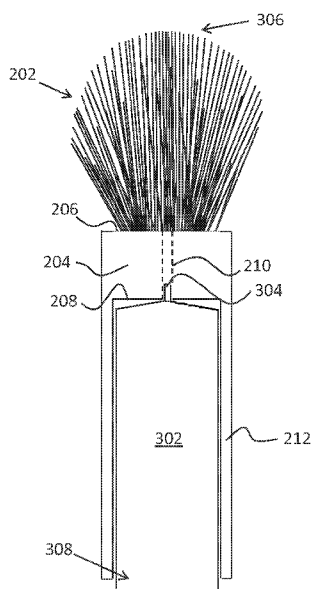


- (51) International Patent Classification:  
A46B 11/00 (2006.01) A45D 27/04 (2006.01)
- (21) International Application Number:  
PCT/US2012/030165
- (22) International Filing Date:  
22 March 2012 (22.03.2012)
- (25) Filing Language: English
- (26) Publication Language: English
- (30) Priority Data:  
13/072,913 28 March 2011 (28.03.2011) US
- (71) Applicant (for all designated States except US): **OLD SKOOL PRODUCTIONS, LLC** [US/US]; Suite 201, 2667 East Commercial Boulevard, Fort Lauderdale, Florida 33308 (US).
- (72) Inventors; and
- (75) Inventors/Applicants (for US only): **SCRENCI, JR., Ralph S.** [US/US]; 2667 East Commercial Boulevard, Fort Lauderdale, Florida 33308 (US). **ALCI, Ozgur** [US/US]; 3932 North Ocean Boulevard, Fort Lauderdale, Florida 33308 (US).

- (74) Agents: **THE SMILEY IP LAW GROUP, P.A.** et al.; Suite 100, 200 South Andrews Avenue, Fort Lauderdale, Florida 33301 (US).
- (81) Designated States (unless otherwise indicated, for every kind of national protection available): AE, AG, AL, AM, AO, AT, AU, AZ, BA, BB, BG, BH, BR, BW, BY, BZ, CA, CH, CL, CN, CO, CR, CU, CZ, DE, DK, DM, DO, DZ, EC, EE, EG, ES, FI, GB, GD, GE, GH, GM, GT, HN, HR, HU, ID, IL, IN, IS, JP, KE, KG, KM, KN, KP, KR, KZ, LA, LC, LK, LR, LS, LT, LU, LY, MA, MD, ME, MG, MK, MN, MW, MX, MY, MZ, NA, NG, NI, NO, NZ, OM, PE, PG, PH, PL, PT, QA, RO, RS, RU, RW, SC, SD, SE, SG, SK, SL, SM, ST, SV, SY, TH, TJ, TM, TN, TR, TT, TZ, UA, UG, US, UZ, VC, VN, ZA, ZM, ZW.
- (84) Designated States (unless otherwise indicated, for every kind of regional protection available): ARIPO (BW, GH, GM, KE, LR, LS, MW, MZ, NA, RW, SD, SL, SZ, TZ, UG, ZM, ZW), Eurasian (AM, AZ, BY, KG, KZ, MD, RU, TJ, TM), European (AL, AT, BE, BG, CH, CY, CZ, DE, DK, EE, ES, FI, FR, GB, GR, HR, HU, IE, IS, IT, LT, LU, LV, MC, MK, MT, NL, NO, PL, PT, RO, RS, SE, SI, SK, SM, TR), OAPI (BF, BJ, CF, CG, CI, CM, GA, GN, GQ, GW, ML, MR, NE, SN, TD, TG).

[Continued on next page]

(54) Title: SELF-FOAMING SHAVING BRUSH



(57) Abstract: A shaving brush assembly includes a plurality of bristles (202), a base (204) with a first side (206) coupled to and supporting the plurality of bristles, a second side opposite (208) the first side, and defining a passageway (210) from the first side to the second side, the passageway dimensioned to receive at least a portion of a nozzle (304) of a shaving cream container (302). The assembly also includes a sleeve (212) coupled to and extending from the second side of the base, with the sleeve having an inner diameter less than an outer diameter of a standard-sized container of shaving cream.



**Declarations under Rule 4.17:**

— *as to the identity of the inventor (Rule 4.17(i))*

**Published:**

— *with international search report (Art. 21(3))*

— *before the expiration of the time limit for amending the claims and to be republished in the event of receipt of amendments (Rule 48.2(h))*

**(88) Date of publication of the international search report:**

21 March 2013

INTERNATIONAL SEARCH REPORT

International application No  
PCT/US2012/030165

A. CLASSIFICATION OF SUBJECT MATTER  
INV. A46B11/00 A45D27/04  
ADD.  
According to International Patent Classification (IPC) or to both national classification and IPC

B. FIELDS SEARCHED  
Minimum documentation searched (classification system followed by classification symbols)  
A46B A45D

Documentation searched other than minimum documentation to the extent that such documents are included in the fields searched

Electronic data base consulted during the international search (name of data base and, where practicable, search terms used)  
EPO-Internal, WPI Data

C. DOCUMENTS CONSIDERED TO BE RELEVANT

Category*	Citation of document, with indication, where appropriate, of the relevant passages	Relevant to claim No.
X	US 3 653 090 A (WEAVER RONALD L) 4 April 1972 (1972-04-04) cited in the application	1,3-6, 8-10, 12-15, 17-19
A	column 1 - column 2; figures 3, 4 -----	2,11,20
X	EP 0 126 905 A2 (BRAUN & WETTBERG GMBH [DE]) 5 December 1984 (1984-12-05)  page 1 - page 5; figure 1 -----	1-6, 8-15, 17-20

Further documents are listed in the continuation of Box C.

See patent family annex.

\* Special categories of cited documents :

"A" document defining the general state of the art which is not considered to be of particular relevance	"T" later document published after the international filing date or priority date and not in conflict with the application but cited to understand the principle or theory underlying the invention
"E" earlier application or patent but published on or after the international filing date	"X" document of particular relevance; the claimed invention cannot be considered novel or cannot be considered to involve an inventive step when the document is taken alone
"L" document which may throw doubts on priority claim(s) or which is cited to establish the publication date of another citation or other special reason (as specified)	"Y" document of particular relevance; the claimed invention cannot be considered to involve an inventive step when the document is combined with one or more other such documents, such combination being obvious to a person skilled in the art
"O" document referring to an oral disclosure, use, exhibition or other means	"&" document member of the same patent family
"P" document published prior to the international filing date but later than the priority date claimed	

Date of the actual completion of the international search  7 August 2012	Date of mailing of the international search report  30/01/2013
--	--

Name and mailing address of the ISA/ European Patent Office, P.B. 5818 Patentlaan 2 NL - 2280 HV Rijswijk Tel. (+31-70) 340-2040, Fax: (+31-70) 340-3016	Authorized officer  Wirth, Christian
--	--

# INTERNATIONAL SEARCH REPORT

International application No.  
PCT/US2012/030165

## Box No. II Observations where certain claims were found unsearchable (Continuation of item 2 of first sheet)

This international search report has not been established in respect of certain claims under Article 17(2)(a) for the following reasons:

1.  Claims Nos.:  
because they relate to subject matter not required to be searched by this Authority, namely:
  
2.  Claims Nos.:  
because they relate to parts of the international application that do not comply with the prescribed requirements to such an extent that no meaningful international search can be carried out, specifically:
  
3.  Claims Nos.:  
because they are dependent claims and are not drafted in accordance with the second and third sentences of Rule 6.4(a).

## Box No. III Observations where unity of invention is lacking (Continuation of item 3 of first sheet)

This International Searching Authority found multiple inventions in this international application, as follows:

see additional sheet

1.  As all required additional search fees were timely paid by the applicant, this international search report covers all searchable claims.
  
2.  As all searchable claims could be searched without effort justifying an additional fees, this Authority did not invite payment of additional fees.
  
3.  As only some of the required additional search fees were timely paid by the applicant, this international search report covers only those claims for which fees were paid, specifically claims Nos.:
  
4.  No required additional search fees were timely paid by the applicant. Consequently, this international search report is restricted to the invention first mentioned in the claims; it is covered by claims Nos.:

1-6, 8-15, 17-20

### Remark on Protest

- The additional search fees were accompanied by the applicant's protest and, where applicable, the payment of a protest fee.
- The additional search fees were accompanied by the applicant's protest but the applicable protest fee was not paid within the time limit specified in the invitation.
- No protest accompanied the payment of additional search fees.

**FURTHER INFORMATION CONTINUED FROM PCT/ISA/ 210**

This International Searching Authority found multiple (groups of) inventions in this international application, as follows:

1. claims: 1-6, 8-15, 17-20

A shaving brush assembly with an inner diameter of a sleeve being greater than an outer diameter of a travel-size container

---

2. claims: 7, 16

A shaving brush assembly with a sleeve that has substantially the standard length of a travel-size container of shaving cream

---

# INTERNATIONAL SEARCH REPORT

Information on patent family members

International application No

PCT/US2012/030165

Patent document cited in search report	Publication date	Patent family member(s)	Publication date
US 3653090	A	04-04-1972	NONE
-----			
EP 0126905	A2	05-12-1984	DE 3319462 A1 29-11-1984
			EP 0126905 A2 05-12-1984
-----			