



(51) International Patent Classification:
E21B 43/12 (2006.01) E21B 43/16 (2006.01)
F04B 43/10 (2006.01)

(71) Applicant (for all designated States except US): SMITH INTERNATIONAL, INC. [US/US]; 1310 Rankin Rd., Houston, TX 77073 (US).

(21) International Application Number:
PCT/US2010/032389

(72) Inventor; and
(75) Inventor/Applicant (for US only): STODDARD, Kenneth, John [US/US]; 717 E 230 S, Santaquin, UT 84655 (US).

(22) International Filing Date:
26 April 2010 (26.04.2010)

(25) Filing Language: English

(74) Agents: WARFFORD, Rodney et al.; Schlumberger SRC, Legal IP Dept., 14910 Airline Road, Bldg 14, Rosharon, TX 77583 (US).

(26) Publication Language: English

(30) Priority Data:
12/431,140 28 April 2009 (28.04.2009) US

(81) Designated States (unless otherwise indicated, for every kind of national protection available): AE, AG, AL, AM, AO, AT, AU, AZ, BA, BB, BG, BH, BR, BW, BY, BZ, CA, CH, CL, CN, CO, CR, CU, CZ, DE, DK, DM, DO, DZ, EC, EE, EG, ES, FI, GB, GD, GE, GH, GM, GT,

[Continued on next page]

(54) Title: SUBMERSIBLE PUMP HAVING A TWO-STEP CONTROL HYDRAULIC VALVE

(57) Abstract: A submersible pump includes a pump valve configured to switch the pump between first and second states in which a piston is respectively extended and retracted. The pump valve includes first and second components that reciprocate between corresponding first and second positions. The pump is in the first state when both components are in their corresponding first position. The pump is in the second state when both components are in their corresponding second position. Neither the valve nor the pump is hydraulically locked at any time during normal operation.



WO 2010/129225 A3

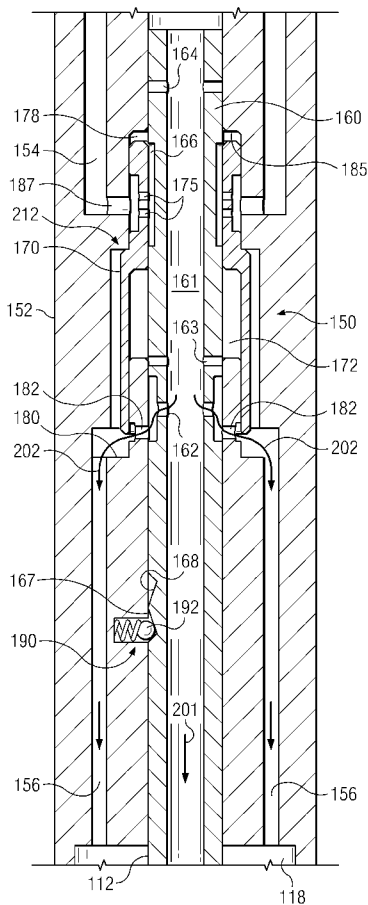


FIG. 2A



HN, HR, HU, ID, IL, IN, IS, JP, KE, KG, KM, KN, KP, KR, KZ, LA, LC, LK, LR, LS, LT, LU, LY, MA, MD, ME, MG, MK, MN, MW, MX, MY, MZ, NA, NG, NI, NO, NZ, OM, PE, PG, PH, PL, PT, RO, RS, RU, SC, SD, SE, SG, SK, SL, SM, ST, SV, SY, TH, TJ, TM, TN, TR, TT, TZ, UA, UG, US, UZ, VC, VN, ZA, ZM, ZW.

- (84) Designated States** (unless otherwise indicated, for every kind of regional protection available): ARIPO (BW, GH, GM, KE, LR, LS, MW, MZ, NA, SD, SL, SZ, TZ, UG, ZM, ZW), Eurasian (AM, AZ, BY, KG, KZ, MD, RU, TJ, TM), European (AT, BE, BG, CH, CY, CZ, DE, DK, EE, ES, FI, FR, GB, GR, HR, HU, IE, IS, IT, LT, LU, LV, MC, MK, MT, NL, NO, PL, PT, RO, SE, SI, SK, SM, TR), OAPI (BF, BJ, CF, CG, CI, CM, GA, GN, GQ, GW, ML, MR, NE, SN, TD, TG).

Declarations under Rule 4.17:

- as to applicant's entitlement to apply for and be granted a patent (Rule 4.17(ii))
- as to the applicant's entitlement to claim the priority of the earlier application (Rule 4.17(iii))

Published:

- with international search report (Art. 21(3))
- before the expiration of the time limit for amending the claims and to be republished in the event of receipt of amendments (Rule 48.2(h))

(88) Date of publication of the international search report:

24 February 2011

A. CLASSIFICATION OF SUBJECT MATTER*E21B 43/12(2006.01)i, F04B 43/10(2006.01)i, E21B 43/16(2006.01)i*

According to International Patent Classification (IPC) or to both national classification and IPC

B. FIELDS SEARCHED

Minimum documentation searched (classification system followed by classification symbols)

E21B 43/12; G06F 15/16; H04J 3/22; H04B 7/02

Documentation searched other than minimum documentation to the extent that such documents are included in the fields searched

Korean utility models and applications for utility models

Japanese utility models and applications for utility models

Electronic data base consulted during the international search (name of data base and, where practicable, search terms used)

eKOMPASS(KIPO internal) & Keywords: hydraulic valve; pump; piston; and pilot spool

C. DOCUMENTS CONSIDERED TO BE RELEVANT

Category*	Citation of document, with indication, where appropriate, of the relevant passages	Relevant to claim No.
A	US 2008-0003118 A1 (TRAYLOR; LELAND B. et al.) 03 January 2008 See abstract; paragraphs [0019]-[0025]; claims 1, 12; and figures 1, 2	1-19
A	US 6889765 B1 (TRAYLOR; LELAND B.) 10 May 2005 See abstract; column 8 line 29-column 9 line 2; claim 1; and figure 1	1-19
A	US 2006-0008364 A1 (TRAYLOR; LELAND B.) 12 January 2006 See abstract; paragraphs [0018]-[0022]; claims 1, 9; and figure 1	1-19
A	US 4649956 A (ZEUNER; KENNETH W. et al.) 17 March 1987 See abstract; column 2 line 44-column 4 line 38; claim 1; and figure 1	1-19

 Further documents are listed in the continuation of Box C. See patent family annex.

* Special categories of cited documents:

"A" document defining the general state of the art which is not considered to be of particular relevance

"E" earlier application or patent but published on or after the international filing date

"L" document which may throw doubts on priority claim(s) or which is cited to establish the publication date of citation or other special reason (as specified)

"O" document referring to an oral disclosure, use, exhibition or other means

"P" document published prior to the international filing date but later than the priority date claimed

"T" later document published after the international filing date or priority date and not in conflict with the application but cited to understand the principle or theory underlying the invention

"X" document of particular relevance; the claimed invention cannot be considered novel or cannot be considered to involve an inventive step when the document is taken alone

"Y" document of particular relevance; the claimed invention cannot be considered to involve an inventive step when the document is combined with one or more other such documents, such combination being obvious to a person skilled in the art

"&" document member of the same patent family

Date of the actual completion of the international search

03 JANUARY 2011 (03.01.2011)

Date of mailing of the international search report

03 JANUARY 2011 (03.01.2011)

Name and mailing address of the ISA/KR

Korean Intellectual Property Office
Government Complex-Daejeon, 139 Seonsa-ro, Seo-gu,
Daejeon 302-701, Republic of Korea

Facsimile No. 82-42-472-7140

Authorized officer

SO, Hyeon Young

Telephone No. 82-42-481-5521



INTERNATIONAL SEARCH REPORT

Information on patent family members

International application No.

PCT/US2010/032389

Patent document cited in search report	Publication date	Patent family member(s)	Publication date
US 2008-0003118 A1	03.01.2008	AU 2007-266495 A1	06.12.2007
		CA 2651181-A1	06.12.2007
		CN 101454570 A	10.06.2009
		WO 2007-140436 A2	06.12.2007
		WO 2007-140436 A3	06.12.2007
		WO 2007-140436 A3	16.10.2008
US 6889765 B1	10.05.2005	None	
US 2006-0008364 A1	12.01.2006	CA 2510919 C	12.01.2010
		CA 2510919-A1	08.01.2006
		GB 0514048 D0	17.08.2005
		GB 2416004 A	11.01.2006
		GB 2416004 B	31.12.2008
		US 7252148 B2	07.08.2007
US 4649956 A	17.03.1987	EP 0134744 A2	20.03.1985
		EP 0134744 A3	16.03.1988
		EP 0134744 B1	09.05.1990
		EP 0134744 B1	29.12.1999
		JP 07-076561 B2	16.08.1995
		JP 2079884 C	09.08.1996
		JP 60-121305 A	28.06.1985
		US 4589437 A1	20.05.1986