

(19) World Intellectual Property Organization
International Bureau



(43) International Publication Date
13 December 2007 (13.12.2007)

PCT

(10) International Publication Number
WO 2007/143566 A3

- (51) International Patent Classification: **B23B 31/30** (2006.01)
- (21) International Application Number: PCT/US2007/070243
- (22) International Filing Date: 1 June 2007 (01.06.2007)
- (25) Filing Language: English
- (26) Publication Language: English
- (30) Priority Data: 60/810,415 2 June 2006 (02.06.2006) US
- (71) Applicant (for all designated States except US): **APPLIED MATERIALS, INC.** [US/US]; 3050 Bowers Avenue, Santa Clara, CA 95054 (US).
- (72) Inventors; and
- (75) Inventors/Applicants (for US only): **CHEN, Hung Chih** [CN/US]; 430 Waddington Avenue, Sunnyvale, CA 94085 (US). **OH, Jeonghoon** [KR/US]; 880 Fremont Avenue #514, Sunnyvale, CA 94087 (US). **NAGENGAST, Andrew** [US/US]; 659 Santa Paula Avenue, Sunnyvale, CA 94086 (US). **ZUNIGA, Steven, M.** [US/US]; 351 Los Robles Road, Soquel, CA 95073 (US).
- (74) Agents: **PATTERSON, B., Todd** et al.; Patterson & Sheridan, L.L.p., 3040 Post Oak Blvd., Suite 1500, Houston, Texas 77056-6582 (US).
- (81) Designated States (unless otherwise indicated, for every kind of national protection available): AE, AG, AL, AM, AT, AU, AZ, BA, BB, BG, BH, BR, BW, BY, BZ, CA, CH, CN, CO, CR, CU, CZ, DE, DK, DM, DO, DZ, EC, EE, EG, ES, FI, GB, GD, GE, GH, GM, GT, HN, HR, HU, ID, IL, IN, IS, JP, KE, KG, KM, KN, KP, KR, KZ, LA, LC, LK, LR, LS, LT, LU, LY, MA, MD, MG, MK, MN, MW, MX, MY, MZ, NA, NG, NI, NO, NZ, OM, PG, PH, PL, PT, RO, RS, RU, SC, SD, SE, SG, SK, SL, SM, SV, SY, TJ, TM, TN, TR, TT, TZ, UA, UG, US, UZ, VC, VN, ZA, ZM, ZW.
- (84) Designated States (unless otherwise indicated, for every kind of regional protection available): ARIPO (BW, GH, GM, KE, LS, MW, MZ, NA, SD, SL, SZ, TZ, UG, ZM, ZW), Eurasian (AM, AZ, BY, KG, KZ, MD, RU, TJ, TM), European (AT, BE, BG, CH, CY, CZ, DE, DK, EE, ES, FI, FR, GB, GR, HU, IE, IS, IT, LT, LU, LV, MC, MT, NL, PL,

[Continued on next page]

(54) Title: FAST SUBSTRATE LOADING ON POLISHING HEAD WITHOUT MEMBRANE INFLATION STEP

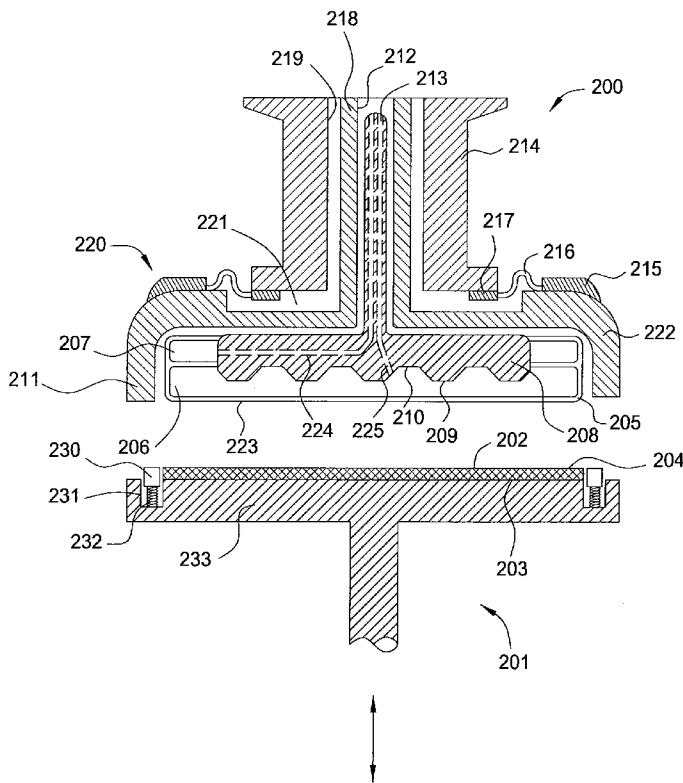


FIG. 2

(57) Abstract: The present invention relates to an apparatus and method for improving and speeding up a substrate loading process. The apparatus (200) includes a base member (208) having a bottom surface (209) with a plurality of recesses (210) formed therein and passages (224,225) formed within to pump a control gas in or out. The apparatus also includes a flexible membrane (205) that forms a center chamber (206) and an edge chamber (207) that may be inflated and deflated independently. A substrate support (201) is used to load a substrate (202) on the apparatus.

WO 2007/143566 A3



PT, RO, SE, SI, SK, TR), OAPI (BF, BJ, CF, CG, CI, CM,
GA, GN, GQ, GW, ML, MR, NE, SN, TD, TG).

Published:

— *with international search report*

(88) Date of publication of the international search report:

18 September 2008

INTERNATIONAL SEARCH REPORT

International application No.

PCT/US07/70243

A. CLASSIFICATION OF SUBJECT MATTER
 .IPC: **B23B 31/30**(2006.01)

USPC: 279/3;451/288
 According to International Patent Classification (IPC) or to both national classification and IPC

B. FIELDS SEARCHED

Minimum documentation searched (classification system followed by classification symbols)
 U.S. : 279/3; 451/288,289,388; 269/21; 118/500

Documentation searched other than minimum documentation to the extent that such documents are included in the fields searched

Electronic data base consulted during the international search (name of data base and, where practicable, search terms used)

C. DOCUMENTS CONSIDERED TO BE RELEVANT

Category *	Citation of document, with indication, where appropriate, of the relevant passages	Relevant to claim No.
X --- A	US 6,056,632 (MITCHEL et al) 2 May 2000 (02.05.2000), entire document.	1-5 ----- 6-20
X --- A	US 2004/0266324 A1 (BOTTEMA et al) 30 December 2004 (30.12.2004), entire document.	6, 7, 10-18, and 20 ----- 8, 9, and 19

Further documents are listed in the continuation of Box C. See patent family annex.

* Special categories of cited documents:	"T"	later document published after the international filing date or priority date and not in conflict with the application but cited to understand the principle or theory underlying the invention
"A" document defining the general state of the art which is not considered to be of particular relevance	"X"	document of particular relevance; the claimed invention cannot be considered novel or cannot be considered to involve an inventive step when the document is taken alone
"E" earlier application or patent published on or after the international filing date	"Y"	document of particular relevance; the claimed invention cannot be considered to involve an inventive step when the document is combined with one or more other such documents, such combination being obvious to a person skilled in the art
"L" document which may throw doubts on priority claim(s) or which is cited to establish the publication date of another citation or other special reason (as specified)	"&"	document member of the same patent family
"O" document referring to an oral disclosure, use, exhibition or other means		
"P" document published prior to the international filing date but later than the priority date claimed		

Date of the actual completion of the international search 01 June 2008 (01.06.2008)	Date of mailing of the international search report 03 JUL 2008
Name and mailing address of the ISA/US Mail Stop PCT, Attn: ISA/US Commissioner for Patents P.O. Box 1450 Alexandria, Virginia 22313-1450 Facsimile No. (571) 273-3201	Authorized officer David Bryant <i>[Signature]</i> Telephone No. 571-272-3700 <i>[Signature]</i>