

(19) World Intellectual Property Organization
International Bureau



(43) International Publication Date
28 September 2006 (28.09.2006)

PCT

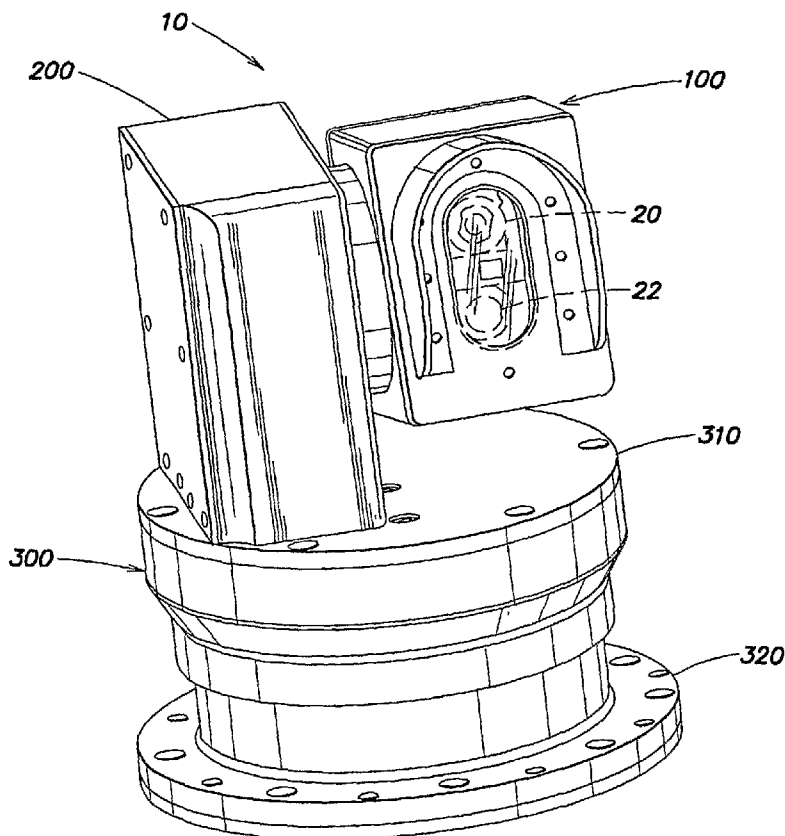
(10) International Publication Number
WO 2006/102371 A3

- (51) International Patent Classification:
G03B 17/08 (2006.01)
- (21) International Application Number:
PCT/US2006/010325
- (22) International Filing Date: 22 March 2006 (22.03.2006)
- (25) Filing Language: English
- (26) Publication Language: English
- (30) Priority Data:
60/663,969 22 March 2005 (22.03.2005) US
- (71) Applicant (for all designated States except US): **PINO-TAGE, L.L.C.** [US/US]; 20 East Center Street, Fayetteville, AR 72701 (US).
- (72) Inventor; and
- (75) Inventor/Applicant (for US only): **THOMPSON, Robert, Lee** [US/US]; 19308 Pinecrest Trail, Rogers, AR 72756 (US).
- (74) Agent: **PRATT, Shannon**; Wolf, Greenfield & Sacks, P.C., 600 Atlantic Avenue, Boston, MA 02210 (US).

- (81) Designated States (unless otherwise indicated, for every kind of national protection available): AE, AG, AL, AM, AT, AU, AZ, BA, BB, BG, BR, BW, BY, BZ, CA, CH, CN, CO, CR, CU, CZ, DE, DK, DM, DZ, EC, EE, EG, ES, FI, GB, GD, GE, GH, GM, HR, HU, ID, IL, IN, IS, JP, KE, KG, KM, KN, KP, KR, KZ, LC, LK, LR, LS, LT, LU, LV, LY, MA, MD, MG, MK, MN, MW, MX, MZ, NA, NG, NI, NO, NZ, OM, PG, PH, PL, PT, RO, RU, SC, SD, SE, SG, SK, SL, SM, SY, TJ, TM, TN, TR, TT, TZ, UA, UG, US, UZ, VC, VN, YU, ZA, ZM, ZW.
 - (84) Designated States (unless otherwise indicated, for every kind of regional protection available): ARIPO (BW, GH, GM, KE, LS, MW, MZ, NA, SD, SL, SZ, TZ, UG, ZM, ZW), Eurasian (AM, AZ, BY, KG, KZ, MD, RU, TJ, TM), European (AT, BE, BG, CH, CY, CZ, DE, DK, EE, ES, FI, FR, GB, GR, HU, IE, IS, IT, LT, LU, LV, MC, NL, PL, PT, RO, SE, SI, SK, TR), OAPI (BF, BJ, CF, CG, CI, CM, GA, GN, GQ, GW, ML, MR, NE, SN, TD, TG).
- Published:**
— with international search report

[Continued on next page]

(54) Title: IMAGING DEVICE ASSEMBLY



(57) Abstract: An assembly for mounting an imaging device, such as a camera, is provided. The assembly may include a housing and an imaging device mounted to the housing. The housing is constructed and arranged in a manner that absorbs and/or dampens a shock and/or vibration to minimize any resulting damage to the imaging device. The assembly may be constructed and arranged to meet MIL-S-901D (NAVY). In one embodiment, resilient and/or robust materials are incorporated into the mounting assembly.

WO 2006/102371 A3



(88) Date of publication of the international search report:

22 February 2007

For two-letter codes and other abbreviations, refer to the "Guidance Notes on Codes and Abbreviations" appearing at the beginning of each regular issue of the PCT Gazette.

INTERNATIONAL SEARCH REPORT

International application No

PCT/US2006/010325

A. CLASSIFICATION OF SUBJECT MATTER
INV. G03B17/08

According to International Patent Classification (IPC) or to both national classification and IPC

B. FIELDS SEARCHED

Minimum documentation searched (classification system followed by classification symbols)
G03B H04N

Documentation searched other than minimum documentation to the extent that such documents are included in the fields searched

Electronic data base consulted during the international search (name of data base and, where practical, search terms used)

EP0-Internal, PAJ

C. DOCUMENTS CONSIDERED TO BE RELEVANT

Category*	Citation of document, with indication, where appropriate, of the relevant passages	Relevant to claim No.
X	PATENT ABSTRACTS OF JAPAN vol. 2003, no. 05, 12 May 2003 (2003-05-12) -& JP 2003 015207 A (SONY CORP), 15 January 2003 (2003-01-15) paragraphs [0005], [0009] - [0011], [0022], [0023]; figures 2,3 -----	1-4,7,8, 24
A	"MIL-S-901D (NAVY) SHOCK TESTS, H.I. (HIGH-IMPACT) SHIPBOARD MACHINERY, EQUIPMENT, AND SYSTEMS, REQUIREMENTS FOR" [Online] 17 March 1989 (1989-03-17), , XP002394828 Retrieved from the Internet: URL:http://www.dcfp.navy.mil/library/dcpub s/MIL-S-901D.pdf> page 7 - page 29 ----- -/--	1-3

Further documents are listed in the continuation of Box C.

See patent family annex.

* Special categories of cited documents :

"A" document defining the general state of the art which is not considered to be of particular relevance
"E" earlier document but published on or after the international filing date
"L" document which may throw doubts on priority claim(s) or which is cited to establish the publication date of another citation or other special reason (as specified)
"O" document referring to an oral disclosure, use, exhibition or other means
"P" document published prior to the international filing date but later than the priority date claimed

"T" later document published after the international filing date or priority date and not in conflict with the application but cited to understand the principle or theory underlying the invention

"X" document of particular relevance; the claimed invention cannot be considered novel or cannot be considered to involve an inventive step when the document is taken alone

"Y" document of particular relevance; the claimed invention cannot be considered to involve an inventive step when the document is combined with one or more other such documents, such combination being obvious to a person skilled in the art.

"&" document member of the same patent family

Date of the actual completion of the international search

16 August 2006

Date of mailing of the international search report

10. 11. 2006

Name and mailing address of the ISA/

European Patent Office, P.B. 5818 Patentlaan 2
NL - 2280 HV Rijswijk
Tel. (+31-70) 340-2040, Tx. 31 651 epo nl,
Fax: (+31-70) 340-3016

Authorized officer

Breccia, Luca

INTERNATIONAL SEARCH REPORT

International application No.
PCT/US2006/010325

Box II Observations where certain claims were found unsearchable (Continuation of item 2 of first sheet)

This International Search Report has not been established in respect of certain claims under Article 17(2)(a) for the following reasons:

1. Claims Nos.:
because they relate to subject matter not required to be searched by this Authority, namely:

2. Claims Nos.:
because they relate to parts of the International Application that do not comply with the prescribed requirements to such an extent that no meaningful International Search can be carried out, specifically:

3. Claims Nos.:
because they are dependent claims and are not drafted in accordance with the second and third sentences of Rule 6.4(a).

Box III Observations where unity of invention is lacking (Continuation of item 3 of first sheet)

This International Searching Authority found multiple inventions in this international application, as follows:

see additional sheet

1. As all required additional search fees were timely paid by the applicant, this International Search Report covers all searchable claims.
2. As all searchable claims could be searched without effort justifying an additional fee, this Authority did not invite payment of any additional fee.
3. As only some of the required additional search fees were timely paid by the applicant, this International Search Report covers only those claims for which fees were paid, specifically claims Nos.:
4. No required additional search fees were timely paid by the applicant. Consequently, this International Search Report is restricted to the invention first mentioned in the claims; it is covered by claims Nos.:

1-8, 24

Remark on Protest

- The additional search fees were accompanied by the applicant's protest.
- No protest accompanied the payment of additional search fees.

FURTHER INFORMATION CONTINUED FROM PCT/ISA/ 210

This International Searching Authority found multiple (groups of) inventions in this international application, as follows:

1. claims: 1-8,24

Imaging device mounting assembly provided with a sub-assembly and a resilient material in order to dampen movement and minimize damage to the imaging device.

2. claims: 9-13

Imaging device mounting assembly with means for providing the device with tilting capabilities.

3. claim: 14

Imaging device mounting assembly wherein the outer housing is sealed to be water resistant.

4. claims: 15-17

Imaging device mounting assembly with a heater to control the temperature of the imaging device.

5. claims: 18-23

Imaging device mounting assembly including a night vision camera.

6. claim: 25

Imaging device mounting assembly adapted to be deployable into a remote location and to transmit data to a second location.

INTERNATIONAL SEARCH REPORT

International application No

PCT/US2006/010325

C(Continuation). DOCUMENTS CONSIDERED TO BE RELEVANT

Category*	Citation of document, with indication, where appropriate, of the relevant passages	Relevant to claim No.
A	US 2002/067411 A1 (THOMPSON ROBERT LEE ET AL) 6 June 2002 (2002-06-06) cited in the application the whole document -----	1-3

INTERNATIONAL SEARCH REPORT

Information on patent family members

International application No

PCT/US2006/010325

Patent document cited in search report	Publication date	Patent family member(s)	Publication date
JP 2003015207	A	NONE	
US 2002067411	A1	US 6577339 B1	10-06-2003