

(19) World Intellectual Property Organization
International Bureau



(43) International Publication Date
14 July 2005 (14.07.2005)

PCT

(10) International Publication Number
WO 2005/062970 A3

- (51) International Patent Classification:
B65D 19/00 (2006.01)
- (21) International Application Number:
PCT/US2004/043505
- (22) International Filing Date:
22 December 2004 (22.12.2004)
- (25) Filing Language: English
- (26) Publication Language: English
- (30) Priority Data:
60/532,293 23 December 2003 (23.12.2003) US
11/017,955 21 December 2004 (21.12.2004) US
- (71) Applicant (for all designated States except US): **NORAM-PAC SCHENECTADY, INC.** [US/US]; 801 Corporation Park, Schenectady, NY 12302 (US).

(81) Designated States (unless otherwise indicated, for every kind of national protection available): AE, AG, AL, AM, AT, AU, AZ, BA, BB, BG, BR, BW, BY, BZ, CA, CH, CN, CO, CR, CU, CZ, DE, DK, DM, DZ, EC, EE, EG, ES, FI, GB, GD, GE, GH, GM, HR, HU, ID, IL, IN, IS, JP, KE, KG, KP, KR, KZ, LC, LK, LR, LS, LT, LU, LV, MA, MD, MG, MK, MN, MW, MX, MZ, NA, NI, NO, NZ, OM, PG, PH, PL, PT, RO, RU, SC, SD, SE, SG, SK, SL, SM, SY, TJ, TM, TN, TR, TT, TZ, UA, UG, US, UZ, VC, VN, YU, ZA, ZM, ZW.

(84) Designated States (unless otherwise indicated, for every kind of regional protection available): ARIPO (BW, GH, GM, KE, LS, MW, MZ, NA, SD, SL, SZ, TZ, UG, ZM, ZW), Eurasian (AM, AZ, BY, KG, KZ, MD, RU, TJ, TM), European (AT, BE, BG, CH, CY, CZ, DE, DK, EE, ES, FI, FR, GB, GR, HU, IE, IS, IT, LT, LU, MC, NL, PL, PT, RO, SE, SI, SK, TR), OAPI (BF, BJ, CF, CG, CI, CM, GA, GN, GQ, GW, ML, MR, NE, SN, TD, TG).

- (72) Inventor; and
- (75) Inventor/Applicant (for US only): **WEST, Thomas** [US/US]; 212 Locust Grove Road, Greenfield Center, NY 12833 (US).
- (74) Agent: **HOFFMAN, Michael, F.**; Hoffman, Warnick & D'Alessandro LLC, Three E-Comm Square, Albany, NY 12207 (US).

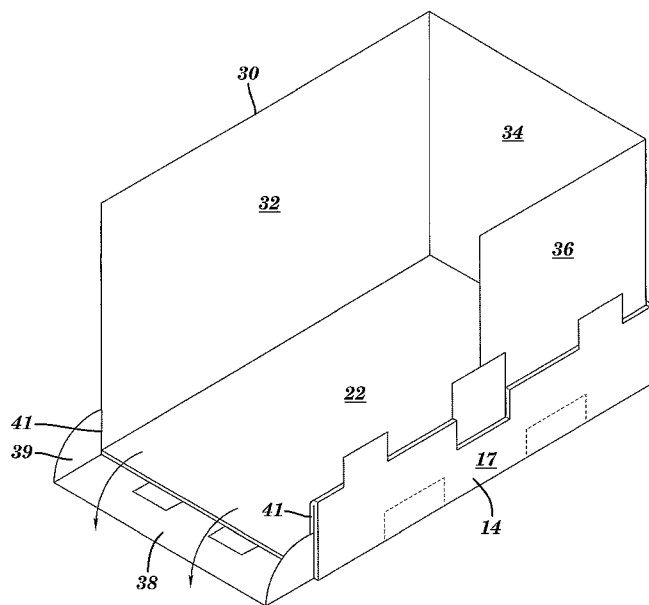
Declaration under Rule 4.17:
— of inventorship (Rule 4.17(iv))

Published:
— with international search report

(88) Date of publication of the international search report:
14 September 2006

[Continued on next page]

(54) Title: LIFT VAN SYSTEM



(57) Abstract: The present invention relates to a pallet container system that includes: a top (12) and bottom cap (14), each comprising tabs (16) that interlock in the collapsed condition. In the collapsed condition a pallet (20) and sidewall sections (30, 40) are stored within the top and bottom caps. Provisions (18) for receiving a fork lift tines are provided in the top and bottom caps for use when the sidewall sections (30, 40) are removed and the container constructed in the erected state. The bottom cap (14) includes a drop down flap (38) for loading and unloading the container system.

WO 2005/062970 A3



For two-letter codes and other abbreviations, refer to the "Guidance Notes on Codes and Abbreviations" appearing at the beginning of each regular issue of the PCT Gazette.

INTERNATIONAL SEARCH REPORT

International application No.

PCT/US04/43505

A. CLASSIFICATION OF SUBJECT MATTER
 IPC: **B65D 19/00** (2006.01)

USPC: 206/386
 According to International Patent Classification (IPC) or to both national classification and IPC

B. FIELDS SEARCHED

Minimum documentation searched (classification system followed by classification symbols)
 U.S. : 206/386

Documentation searched other than minimum documentation to the extent that such documents are included in the fields searched

Electronic data base consulted during the international search (name of data base and, where practicable, search terms used)
 BRS text search

C. DOCUMENTS CONSIDERED TO BE RELEVANT

Category *	Citation of document, with indication, where appropriate, of the relevant passages	Relevant to claim No.
X --- Y	US 4,085,847 A (Jacalone) 25 April 1978 (25.04.1978), See figures 2 and 7, col. 2, lines 19, 20 and 31.	1, 3, 4, 8, 9, 12, 16, 17, 20, 22 and 23 ----- 5-7, 13-15, 19 and 21
X --- Y	US 6,041,718 A (Brandes et al) 28 March 2000 (28.03.2000), See figures 1-28 and col. 7, lines 15 and 18.	1, 3, 4, 8, 9, 12, 16, 17, 20, 22 and 23 ----- 2, 5-7, 10, 13-15, 18, 19 and 21
Y	US 4,069,938 A (Palte et al) 24 January 1978 (24.01.1978), See figure 2, #19 and #25.	2, 10, 18
Y	US 6,581,769 B2 (Nist) 24 June 2003 (24.06.2003), See figures 1, 7 and #22, #24.	6, 14

Further documents are listed in the continuation of Box C. See patent family annex.

* Special categories of cited documents:	"T"	later document published after the international filing date or priority date and not in conflict with the application but cited to understand the principle or theory underlying the invention
"A" document defining the general state of the art which is not considered to be of particular relevance	"X"	document of particular relevance; the claimed invention cannot be considered novel or cannot be considered to involve an inventive step when the document is taken alone
"E" earlier application or patent published on or after the international filing date	"Y"	document of particular relevance; the claimed invention cannot be considered to involve an inventive step when the document is combined with one or more other such documents, such combination being obvious to a person skilled in the art
"L" document which may throw doubts on priority claim(s) or which is cited to establish the publication date of another citation or other special reason (as specified)	"&"	document member of the same patent family
"O" document referring to an oral disclosure, use, exhibition or other means		
"P" document published prior to the international filing date but later than the priority date claimed		

Date of the actual completion of the international search 20 April 2006 (20.04.2006)	Date of mailing of the international search report 31 MAY 2006
Name and mailing address of the ISA/US Mail Stop PCT, Attn: ISA/US Commissioner for Patents P.O. Box 1450 Alexandria, Virginia 22313-1450 Facsimile No. (571) 273-3201	Authorized officer David T. Fidei <i>Sharon N. Greene</i> Telephone No. (571) 272-3700

INTERNATIONAL SEARCH REPORT

International application No.
PCT/US04/43505

C. (Continuation) DOCUMENTS CONSIDERED TO BE RELEVANT

Category *	Citation of document, with indication, where appropriate, of the relevant passages	Relevant to claim No.
Y	US 4,424,753 A (Eatherton) 10 January 1984 (10.01.1984), See figures 1 and 2.	7, 15
Y	US 5,139,194 A (Youell, Jr.) 18 August 1992 (18.08.1992), See figures 2 and 3.	11, 19