



PCT / GB04 / 003218



INVESTOR IN PEOPLE

The Patent Office
Concept House
Cardiff Road
Newport
South Wales
NP10 8QQ

REC'D 10 SEP 2004
WIPO PCT

PRIORITY DOCUMENT

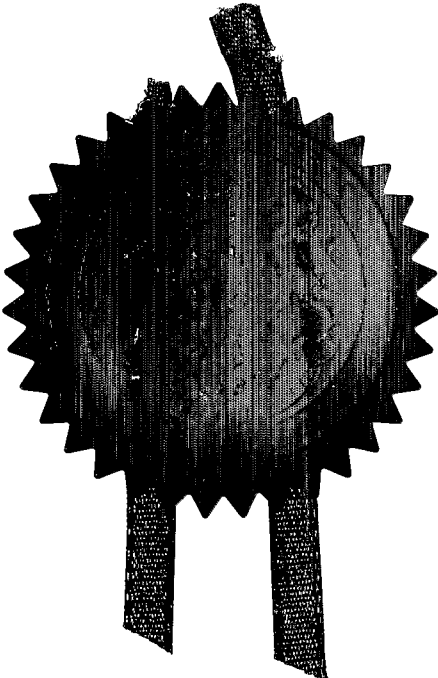
SUBMITTED OR TRANSMITTED IN COMPLIANCE WITH RULE 17.1(a) OR (b)

I, the undersigned, being an officer duly authorised in accordance with Section 74(1) and (4) of the Deregulation & Contracting Out Act 1994, to sign and issue certificates on behalf of the Comptroller-General, hereby certify that annexed hereto is a true copy of the documents as originally filed in connection with the patent application identified therein.

In accordance with the Patents (Companies Re-registration) Rules 1982, if a company named in this certificate and any accompanying documents has re-registered under the Companies Act 1980 with the same name as that with which it was registered immediately before re-registration save for the substitution as, or inclusion as, the last part of the name of the words "public limited company" or their equivalents in Welsh, references to the name of the company in this certificate and any accompanying documents shall be treated as references to the name with which it is so re-registered.

In accordance with the rules, the words "public limited company" may be replaced by p.l.c., plc, P.L.C. or PLC.

Re-registration under the Companies Act does not constitute a new legal entity but merely subjects the company to certain additional company law rules.



Signed

Dated 23 August 2004



Patents Act 1977
(Rule 16)



24JUL03 EB24808-1 D00022
POL/7700 0.00-0317239.2

THE PATENT OFFICE
K

Request for grant of a patent

(See the notes on the back of this form. You can also get an explanatory leaflet from the Patent Office to help you fill in this form)

22 JUL 2003

The Patent Office

Cardiff Road
Newport
South Wales
NP10 8QQ

1. Your reference KL/SS/38259

2. Patent application number 0317239.2
(The Patent Office will fill in this part) 23 JUL 2003

3. Full name, address and postcode of the or of each applicant (underline all surnames)
Maurice Barron
No. 1 Highway
Edgcomb Park
Crowthorne
Berkshire R045 6HE

08679348001
Patents ADP number (if you know it)

If the applicant is a corporate body, give the country/state of its incorporation

4. Title of the invention Dummy Window

5. Name of your agent (if you have one) fJ Cleveland
"Address for service" in the United Kingdom to which all correspondence should be sent (including the postcode)
40-43 Chancery Lane
London
WC2A 1JQ

Patents ADP number (if you know it) 07368855001 ✓

6. If you are declaring priority from one or more earlier patent applications, give the country and the date of filing of the or of each of these earlier applications and (if you know it) the or each application number	Country	Priority application number (if you know it)	Date of filing (day / month / year)
----------------------------------------------------------------------------------------------------------------------------------------------------------------------------------------------------------------------------	---------	-------------------------------------------------	----------------------------------------

7. If this application is divided or otherwise derived from an earlier UK application, give the number and the filing date of the earlier application	Number of earlier application	Date of filing (day / month / year)
-------------------------------------------------------------------------------------------------------------------------------------------------------	-------------------------------	----------------------------------------

8. Is a statement of inventorship and of right to grant of a patent required in support of this request? (Answer 'Yes' if:

- a) any applicant named in part 3 is not an inventor, or
- b) there is an inventor who is not named as an applicant, or
- c) any named applicant is a corporate body.

See note (d)

No

Patents Form 1/77

9. Enter the number of sheets for any of the following items you are filing with this form. Do not count copies of the same document

Continuation sheets of this form

Description	7	/
Claim(s)	2	/
Abstract	1	/
Drawing(s)	1	+ 1 R

10. If you are also filing any of the following, state how many against each item.

Priority documents

Translations of priority documents

Statement of inventorship and right to grant of a patent (Patents Form 7/77)

Request for preliminary examination and search (Patents Form 9/77)

1 /

Request for substantive examination (Patents Form 10/77)

1 /

Any other documents (please specify)

11. I/We request the grant of a patent on the basis of this application

Signature fj Cleveland Date 22 July 2003
fJ Cleveland

12. Name and daytime telephone number of person to contact in the United Kingdom Keith Leaman 0118 902 6932

Warning
After an application for a patent has been filed, the Comptroller of the Patent Office will consider whether publication or communication of the invention should be prohibited or restricted under Section 22 of the Patents Act 1977. You will be informed if it is necessary to prohibit or restrict your invention in this way. Furthermore, if you live in the United Kingdom, Section 23 of the Patents Act 1977 stops you from applying for a patent abroad without first getting written permission from the Patent Office unless an application has been filed at least 6 weeks beforehand in the United Kingdom for a patent for the same invention and either no direction prohibiting publication or communication has been given, or any such direction has been revoked.

- Notes**
- a) If you need help to fill in this form or you have any questions, please contact the Patent Office on 08459 50050.
 - b) Write your answers in capital letters using black ink or you may type them.
 - c) If there is not enough space for all the relevant details on any part of this form, please continue on a separate sheet of paper and write "see continuation sheet" in the relevant part(s). Any continuation sheet should be attached to this form.
 - d) If you have answered 'Yes' Patents Form 7/77 will need to be filed.
 - e) Once you have filled in the form you must remember to sign and date it.
 - f) For details of the fee and ways to pay please contact the Patent Office.

Dummy Window

5 This invention relates to removable reusable frames for defining openings in a wall that is under construction in bricks or blocks.

When building houses, an architect will design the placement of a window and this can often be problematic to the bricklayer since the window will not
10 necessarily align perfectly with the bricks along a brick course. This necessitates cutting the bricks so as to fit the window frame or alternatively "stretching" the row of bricks by increasing the mortar joint between adjacent bricks beyond the 10mm ideal so that the bricks abut the position of the window frame without the need for cutting. Both are unsatisfactory since cutting is a time consuming and
15 fiddly job whereby "stretching" results in the formation of "zipping" whereby subsequent courses of bricks or blocks have vertical mortar joints of different thicknesses that do not align producing an aesthetically unattractive appearance.

When building properties with many windows, builders have been provided with
20 specific dimensions for the windows to accept standard window fitments. A carpenter is then employed to produce a series of dummy window frames (effectively rectangular wooden frames) which are then inserted into the brickwork to allow the bricklayer to work around the rectangular frame. The frame is then subsequently removed to allow the correct window to be placed in

the opening defined by the frame. This results in considerable wastage in wood whereby, due to the expansion and movement of the wood joints, the wooden frames often become wedged within the brickwork necessitating a high force for removal. This damages the wood, preventing its reuse and also possibly damages the brickwork itself. The use of such dummy frames is time consuming, expensive, and potentially damaging. Furthermore, such frames are subject to twisting out of 90° alignment making the use of such frames difficult since the window must be perfectly rectangular. In a house having up to twenty or thirty windows the costs involved in forming such dummy frames is considerable and is complete wastage.

Most modern houses now utilise new PVC windows which are made to fit existing openings. Once the house has been built with the window sockets left in the brickwork, the glaziers or window companies simply measure the size of the opening and make the windows to fit the opening. This obviates the need for standard frame fitments. One of the advantages of using non-standard frame sizes is that the windows can be placed so as to align perfectly with the brickwork without the need for "stretching" or cutting. However, this does not obviate the need for construction of conventional wooden dummy frames nor the problem that if the window thickness does not correspond to a preset number of bricks in its width, then the cutting or "stretching" will be necessary at one side of the window frame. It is particularly difficult where there are fewer than five brick widths

between the window and the edge of the building such as occurs where there is another window, or door-frame, or corner.

5 It is an object of the present invention to provide a removable reusable frame for defining openings in a wall that is under construction that is adjustable to accommodate different widths of opening.

10 It is a further object of the present invention to provide an adjustable frame that can be made to fit an opening in a wall under construction.

15 According to one aspect of the present invention there is provided a removable reusable frame for defining an opening in a wall that is under construction, said frame comprising a first vertical member defining a first lateral extremity of the opening, and a second vertical member defining a second lateral extremity of the opening, and one or more horizontal links that are of adjustable length interconnecting said second vertical member to the first member.

20 Preferably, there are two horizontal links that define upper and lower extremities of the opening respectively.

Preferably, the, or each, horizontal link comprises two parts, one of which is moveable relative to the other to vary the length of the horizontal link.

Preferably, the first part of the or each link is a hollow tubular member and the second part of the or each link slides inside the bore of the first part.

5 Preferably there is provided a locking means for securing the position of the second part of the or each link relative to the first part of the or each link. The locking means may comprise a snap clamp that has a base secured to the first part and has an arm that is inserted through a hole in the first part to clamp on to the second part and thereby lock them together.

10 If desired, one or more further vertical support members may be provided that extend between the two horizontal links to provide support.

The present invention will now be described by way of example only, with reference to the accompanying drawings:-

15

Figures 1 to 3 show three frames constructed in accordance with the present invention.

20

Referring to the accompanying drawings there is shown three removable reusable frames (10) each for defining an opening in a wall (not shown) that is to be constructed in bricks or blocks. The frame of Figure 1 is for defining an opening that is 1455mm high and between 600mm to 1200mm wide; Figure 2 shows a

frame for defining an opening 1455mm high by 1000mm to 2000 mm wide:

Figure 3 shows a perspective view of a third frame.

5 The metal frame (10) comprises two parts (11, 12) each of which is made of hollow box like construction and has a vertical member (13) or (14) and two horizontal tubes (15, 16) or (17, 18). The cross sectional dimensions of at least the horizontal tubes (15, 16) of the first part (11) are slightly larger than those of the horizontal tubes (17) and (18) of the second part. The tubes (17, 18) are inserted into the bores of the tubes (15, 16) so as to slide therein.

10

Each pair of tubes (15, 17) or (16, 18) together define a horizontal link (19, 20) of adjustable length which effectively interconnect the vertical members (13, 14).

15 In use, the vertical members (13, 14) define the lateral extremity of an opening to be provided in a wall that is to be constructed, for example, in brick or concrete blocks. The height of the frame (10), that is to say the length of the vertical members (13, 14), are chosen to be equal to modules of the height of each individual course of bricks or blocks. The horizontal links (19, 20) define the upper and lower extremities of the opening in the wall respectively.

20

It will be seen from the drawings that the tubes (15, 16) of the first part (11) are provided with two securing means (21) in the form of standard snap clamps the bases of which are secured to each of the tubes (15,16) and the arms of which are

inserted through holes (22) in the tubes (15, 16) to clamp onto the tubes (17, 18) of second part of the frame (10). The clamps (21) thereby lock the two parts of the frame together in a fixed relationship. One or more additional vertical support members (23) may be provided between the horizontal members (15, 16) to provide rigidity. It may be possible to provide similar additional vertical supports between the tubes (17, 18) providing the additional support member does not restrict the amount of horizontal adjustment of the vertical members (13, 14).

To use the frame, the frame (10) is placed upon the course of bricks where it is desired to provide a window or door opening. The bricklayer lays the next course of bricks up to the location of the frame (10) at each side of the frame (10). The length of the horizontal links (19, 20) are adjusted to bring the vertical members (14, 15) into contact with the edges of the first row of bricks. The bricklayer then lays the remaining courses of bricks or blocks so that they abut the vertical members (13, 14) at each side of the frame. Finally, a lintel (not shown) is placed across the top of the frame (10) onto the top course of bricks at each side of the frame to complete the opening in the wall.

Subsequently, when it is required to replace the frame (10) with the final window, the frame (10) is removed and the size of the opening is measured. The final finished permanent window/window frame is made to the size of the opening in the wall and the final window frame is then fitted into the opening.

The frame (10) is reusable and can be adjusted to suit various widths of openings. Different sizes of frames that are adjustable to suit different heights and widths of openings are made to give the builder the flexibility of mixing and matching different sizes of windows or doors.

5

10

15

20

Claims

1. A removable reusable frame for defining an opening in a wall that is under construction, said frame comprising a first vertical member defining a first lateral extremity of the opening, a second vertical member defining a second lateral extremity of the opening, and one or more horizontal links that are of adjustable length interconnecting the second vertical member to the first vertical member.
2. A frame according to claim 1 wherein there are two horizontal links that define the upper and lower extremities of the opening respectively.
3. A frame according to claim 1 and claim 2 wherein the, or each, horizontal links comprises two parts, one of which is moveable relative to the other to vary the length of the horizontal link.
4. A frame according to claim 3 wherein the first part of the or each horizontal link is a hollow tubular member and the second part of the or each link slides inside the bore of the first part.
5. A frame according to any one of the preceding claims wherein there is provided a locking means for securing the position of the second part of the or each link relative to the first part of the or each link.

6. A frame according to claim 5 wherein the locking means comprises a snap clamp that has a base secured to the first part and has an arm that can be inserted through a hole in the first part to clamp on to the second part and thereby lock them together.

5

7. A frame according to any one of the preceding claims wherein there is provided one or more further vertical support members that extend between two horizontal links.

10

15

20

Abstract

A removable reusable frame (10) for defining an opening in a brick or block wall that is under construction. The frame (10) comprises a first vertical member (13), defining a first lateral extremity of the opening and a second vertical member that defines a
5 second lateral extremity of the opening. The second vertical member (15), the first vertical member (13) and the second vertical member (14) are interconnected by one or more horizontal links (19, 20) that are of adjustable lengths.

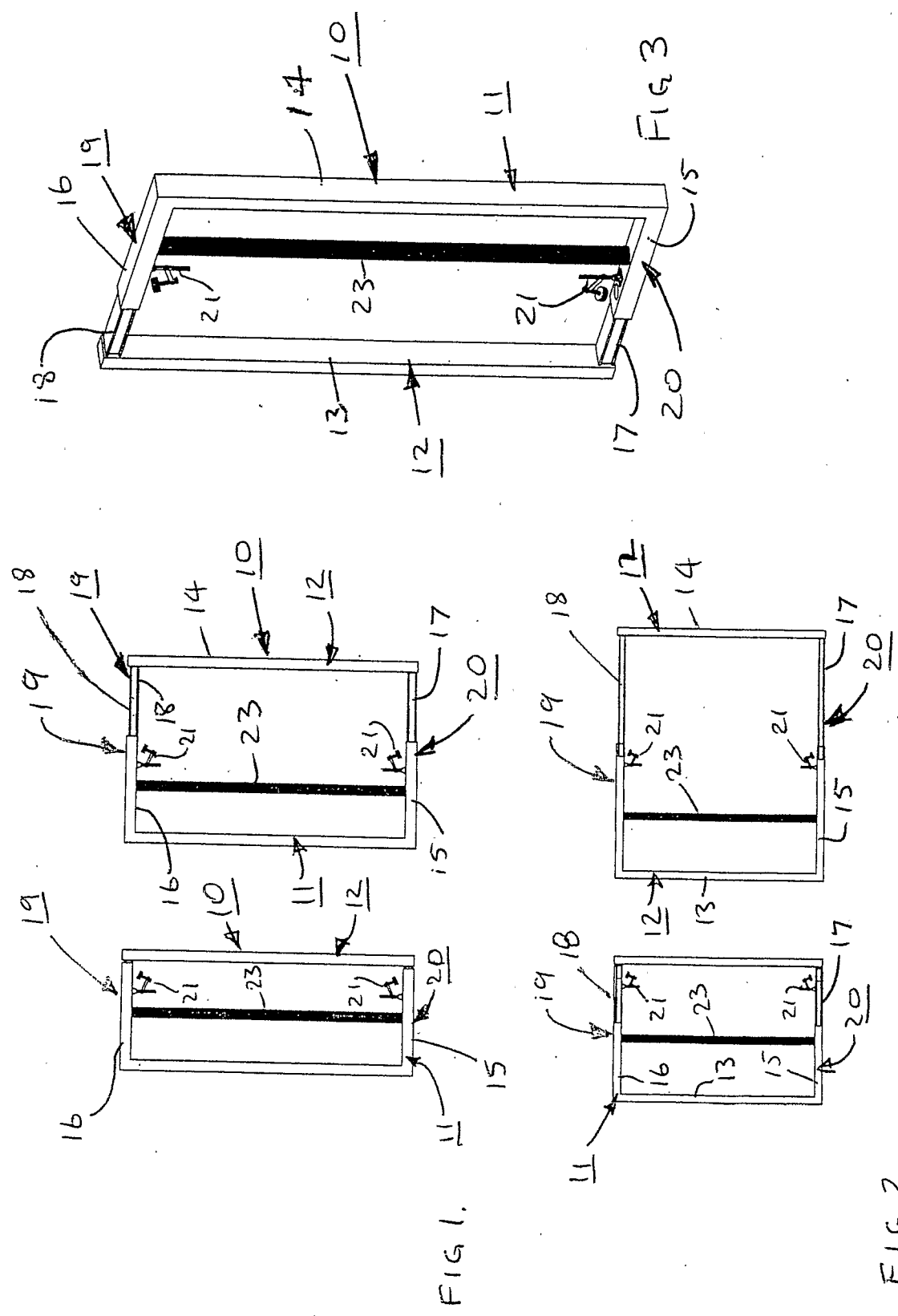


FIG. 1.

FIG. 2.

FIG. 3.

PCT/GB2004/003218

