

(19) World Intellectual Property Organization
International Bureau



(43) International Publication Date
7 March 2002 (07.03.2002)

PCT

(10) International Publication Number
WO 02/17741 A1

(51) International Patent Classification⁷: A43B 5/04

LORATI, Pierluigi [IT/IT]; Via IV Novembre, 67, I-25036 Ponte di Legno (IT). VANIN, Daniele [IT/IT]; Via Boiago, 24/A, I-31055 Quinto di Treviso (IT).

(21) International Application Number: PCT/IT00/00351

(22) International Filing Date:
1 September 2000 (01.09.2000)

(74) Agents: DRAGOTTI, Gianfranco et al.; Dragotti & Associati S.r.l., Via Paris Bordone, 9, I-31100 Treviso (IT).

(25) Filing Language: Italian

(81) Designated States (national): CA, JP, US.

(26) Publication Language: English

(84) Designated States (regional): European patent (AT, BE, CH, CY, DE, DK, ES, FI, FR, GB, GR, IE, IT, LU, MC, NL, PT, SE).

(71) Applicant (for all designated States except US): TECNICA SPA [IT/IT]; Via Frante d'Italia, 56, I-31040 Giv-
era del Montello (IT).

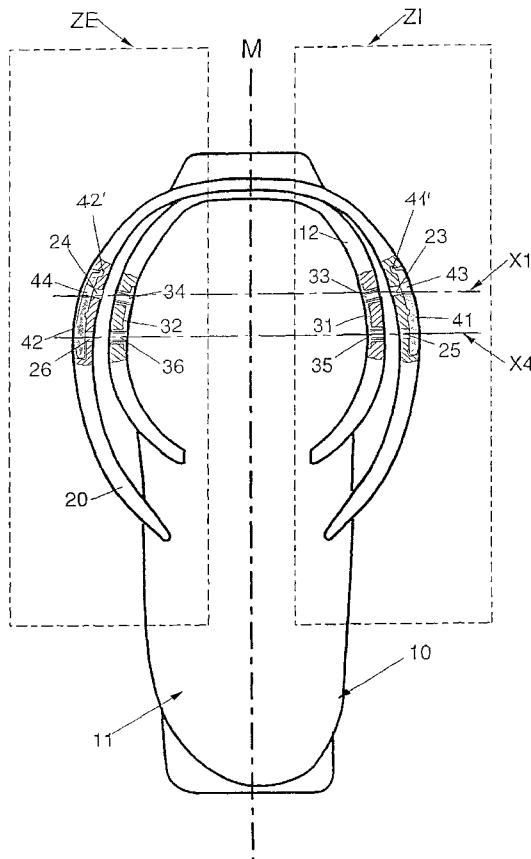
Published:
— with international search report

(72) Inventors; and

(75) Inventors/Applicants (for US only): GRANDIN, Giorgio [IT/IT]; Via Villaggio Monica, 6, I-31040 Trevignano (IT).

For two-letter codes and other abbreviations, refer to the "Guidance Notes on Codes and Abbreviations" appearing at the beginning of each regular issue of the PCT Gazette.

(54) Title: SPORTS SHOE WITH LEG-PIECE HINGED ON THE SHELL



(57) Abstract: Sports shoe having a zone (ZE) on the outer side and a zone (ZI) on the inner side relative to the longitudinal centre plane (M), in which the leg-piece (20) is arranged overlapping a part (12) of the shell (10) and this part (12) has, joined to it, adjustable hinging means (52, 53) which define an axis about which the leg-piece (20) is able to perform a flexing movement of controlled amplitude along the centre plane (M). The invention envisages in the overlapping zones (ZE, ZI) means (42, 41; 47) provided on the outer surfaces of the leg-piece (20), allowing selective insertion and subsequent locking of at least one of the said hinging means (52, 53) in any one of the matching seats (33, 34, 35, 36; 34', 36') provided on the said upwardly extending part (12) of the shell (10). The hinging axis is thus able to assume at least two different angular positions (X1, X2, X3, X4) relative to the longitudinal centre plane (M) of the shoe, as required by the user.



WO 02/17741 A1

Sports shoe with leg-piece hinged on the shellDescriptionTechnical field

The invention relates to a sports shoe, e.g. a
5 shoe used for roller skating or a ski boot, in which
there is a system for hinging the leg-piece on the
shell.

Background art

Very briefly - as illustrated, for example, in EP-
10 A-0,502,795 and EP-A-0,671,134 - a shoe of this kind
comprises two main components which are made from
injection-moulded polymer materials, i.e.:

- a shell with a more rigid part and a front
longitudinal slit for inserting the foot, which defines
15 two softer front portions, and

- a deformable leg-piece which is often formed by
a front part and a rear part and is hinged on the shell
about a transverse axis which is located more or less
level with the user's malleoli.

20 In material terms, the hinging system consists of
a pair of rivets arranged in a zone on the inner side
and in a zone on the outer side where the leg-piece is
arranged overlapping the shell and allows an angular
(flexing) movement of the leg-piece in the lengthwise
25 direction of the shoe.

Background art

Shoes provided with devices which allow the user
to adjust the amplitude of the said flexing movement
are known - see for example FR-A-2,682,859.

30 This possibility of adjustment is undoubtedly
advantageous in the case where it is required to change
from a sporty skiing posture to a more relaxed posture
and/or when there is a change in the location (on-piste

- 2 -

or off-piste) and/or snow conditions (compacted snow or fresh snow), but is of no help for persons whose legs have an anatomical form different from the so-called normal form.

5 Bowed legs or legs which form an "X" rather than a "Y", when viewed frontally, may in fact result in frequent and important manoeuvres such as "edging" of the skis and skates being tiring, if not difficult, to perform, but the present footwear is unable to remedy
10 these situations.

Disclosure of the invention

The main object of the invention is to propose a sports shoe in which the system for hinging the leg-piece on the shell may be adjusted so as to take into
15 account also the actual morphology of the users' legs, so that the fatigue arising during the various manoeuvres required by the sporting discipline, in the case of anatomically abnormal legs, is reduced significantly, if not eliminated.

20 According to the main characteristic feature of the invention, these and other objects are obtained by providing a sports shoe of this kind with means which allow adjustment of the angle formed by the transverse hinging axis of the leg-piece on the shell with the
25 longitudinal centre plane of the shoe.

Brief description of the drawings

By way of a non-limiting example, in order to illustrate more clearly the characteristic features and advantages of the invention, an application thereof
30 will now be described with reference to the accompanying drawing in which (excluding many details which are well-known to persons skilled in the art but

- 3 -

which are of no importance for the subject of the invention):

- Figure 1 shows a simplified profile view of a ski boot;

5 - Figure 2 is another simplified view which shows the same boot viewed from above and partially sectioned along a horizontal plane perpendicular to the longitudinal centre plane so as to highlight a first embodiment of the means for hinging the shell and leg-
10 piece;

- Figure 3 shows, on a larger scale, a few details of the part shown in cross-section in Figure 2;

- Figure 4 is similar to Figure 3, but shows a second embodiment of the said hinging means;

15 - Figure 5 shows a partial profile view, on a larger scale, of a shoe provided with a third embodiment of the said hinging means;

- Figure 6 shows a three-dimensional view, on a larger scale, of a detail of a fourth embodiment of the
20 said hinging means.

Detailed description of the preferred embodiment(s)

Figures 1 and 2 show, albeit in simplified form, the shell 10 and the leg-piece 20 which, according to the terminology used here, are the main components of a
25 ski boot. The shell 10 comprises a first horizontal part 11 for receiving the user's foot and a second part 12 which extends upwards, for retaining the heel, while the leg-piece 20 comprises two cheeks 27, 28 provided with well-known fastening devices and closing strips
30 29A, 29B and 29C. The leg-piece 20 is arranged overlapping the part 12 of the shell 10 and hinged thereon, using the means described below, in a zone ZE on the outer side and of a zone ZI on the inner side,

- 4 -

where the terms "outer" and "inner" are relative to the longitudinal centre plane M of the shoe.

According to a first embodiment, shown in Figures 2 and 3, the system for hinging the leg-piece 20 on the shell 10 comprises:

- a first proximal plate 32 and a first distal plate 42 which are arranged behind one another in the zone ZE. The proximal plate 32 is rigidly retained (e.g. by means of over-injection of polymer material) on the inner surface of the part 12 of the shell 10 and provided with two threaded holes 34 and 36 which pass through the whole thickness of the shell 10. The distal plate 42 is retained by means of an undercut 42', with a certain backlash allowing manipulation thereof, inside a recess on the visible surface of the leg-piece 20 having two through-holes 24 and 26. The distal plate 42 has a single through-hole 44 which is flared towards the outside of the shoe and aligned with the hole 24 of the leg-piece 20 in the arrangement shown in Figures 2 and 3;

- a second proximal plate 31 and a second distal plate 41 which are respectively identical to the plates 32 and 42 in the zone ZI. The proximal plate 31 is rigidly retained (e.g. by means of over-injection of the polymer material) on the inner surface of the part 12 of the shell 10 and has two threaded holes 33 and 35 which pass through the whole thickness of the shell 10. The distal plate 41 is retained by means of an undercut 41', with a certain backlash allowing manipulation thereof, inside a recess on the visible surface of the leg-piece 20 having two through-holes 23 and 25. The distal plate 41 has a single through-hole 43 which is flared towards the outside of the shoe and aligned with

- 5 -

the hole 23 of the leg-piece 20 in the arrangement shown in Figure 2;

- as actual adjustable-hinging means, a pair of flathead screws (only one of which, indicated by the reference number 52, is shown in Figures 1 and 3) with the same threading as that of the holes 33, 35 and 34, 36 in the proximal plates 31 and 32;

- a pair of conical bushes preventing unscrewing, only one of which, indicated by the reference number 62, is shown in Figure 3.

The boot is usually supplied by the manufacturer with the above-described arrangement of the distal plates 41, 42 (referred to in short as "insertion means" in the claims below). In the zone ZE the screw 52, which is locked by the bush 62, passes through the holes 44 in the first distal plate 42 and 24 of the leg-piece 20 and engages in the first threaded hole 34 of the first proximal plate 32 - see Figure 3 - while in the zone ZI the other screw (not shown) passes through the holes 43 in the second distal plate 41 and 23 of the leg-piece 20 and engages inside the first threaded hole 33 of the second proximal plate 31. In this way the two screws are aligned, in accordance with an arrangement, indicated by X1 in Figure 2, which joins together the centres of the threaded holes 33 and 34 and defines the hinging axis of the leg-piece 20 on the shell 10. Thus, in the configuration supplied by the manufacturer, the boot allows relatively soft and yielding flexing movements of the leg-piece 20 on the shell 10 in the lengthwise direction of the boot since the arrangement X1 of the hinging axis is set back and moreover configured for users who have anatomically

- 6 -

normal - i.e. straight - legs, the arrangement X1 being also perpendicular to the longitudinal centre plane M.

Owing to the invention, however, it is also possible to obtain other arrangements of the hinging axis of the leg-piece 20 on the shell 10, which may be conveniently and easily adjusted as follows at the time of sale of the boot.

If the user's knees are rotated outwards, the only operations required are performed in the outer overlapping zone ZE and consist in the removal of the screw 52 together with the bush 62, rotation of the first distal plate 42 through 180° in its plane (so that the undercut 42' is located on the opposite side to that shown in Figure 3) and re-insertion of the screw 52 together with the bush 62 into the through-hole 44 of the said distal plate 42 so that, after passing through the hole 26 in the leg-piece 20, it thus engages inside the second threaded hole 36 of the proximal plate 32. The axes of the two screws are thus aligned in an arrangement X2 which, joining together the centres of the threaded holes 36 and 33, defines again the hinging axis of the leg-piece 20 on the shell 10. The arrangement X2 has an inclination α relative to the longitudinal centre plane M and produces a second configuration of the boot which, obviously, opposes the natural tendency of the said leg morphology to spread the tip of the skis.

If, on the other hand, the user's knees are rotated inwards, the only operations required in order to modify the configuration of the boot (again with respect to the configuration in which it is supplied by the boot manufacturer - shown in Figures 2 and 3) are performed in the internal overlapping zone and

- 7 -

correspond to those just described. The screw together with the associated bush is in fact removed from the distal plate 41, which is then rotated through 180° in its plane. The screw together with the bush is finally
5 re-inserted into the hole 43 of the plate 41 so that, after passing through the second hole 25 in the leg-piece 20, it engages into the second threaded hole 35 of the proximal plate 31. The axis for hinging the leg-piece 20 on the shell 10, which now joins together
10 the centres of the threaded holes 34 and 35, thus assumes an arrangement X3 with an inclination β which produces a third configuration of the boot. Since the inclination β is opposite to the inclination α relative to the longitudinal centre plane M, this third
15 configuration of the boot obviously opposes the natural tendency of persons who have the abovementioned anatomical morphology of their legs to move the tips of their skis towards each other.

The invention also offers a further possibility of
20 adjusting hinging of the leg-piece on the shell, by carrying out both the sequences of operations described above. In this way, the hinging axis of the leg-piece 20 on the shell 10, which now joins together the centres of the threaded holes 36 and 35, assumes an
25 arrangement which is indicated in Figure 2 by X4 and is perpendicular to the longitudinal centre plane M, but located in a relatively advanced position on the boot. This arrangement of the hinging axis results in a configuration of the boot which is particular suitable
30 for users who have anatomically normal legs and prefer relatively rigid flexing of the leg-piece.

A second embodiment of the invention is shown in Figure 4 where, for the sake of simplicity, the parts

- 8 -

which are unvaried with respect to the first embodiment, described hereinabove, retain the same reference numbers. For example, in the outer overlapping zone ZE, each of the proximal plates 31, 32
5 are now replaced by two flanged and threaded cylindrical bushes 37 which pass through the entire thickness of the part 12 of the shell 10 and are retained on the said part 12. Moreover, the distal plate 42 and the underlying recess of the leg piece 20
10 inside which it is housed have two aligned through-holes instead of only one, indicated respectively by the reference numbers 44, 46 and 24, 26. Figure 4 shows, together with the associated conical bushes 62 and 63, preventing unscrewing, two screws 52 and 53
15 which engage in each of the bushes 37 so as to lock entirely (if the user so wishes) hinging of the leg-piece 20 on the shell 10. In other words, in this embodiment of the invention the boot may assume a fifth configuration. In order to obtain the other four
20 configurations described further above it is sufficient to use only one screw in each of the zones ZE and ZI and close the hole which is not used with a stopper 54, preferably supplied by the manufacturer, in order to prevent snow entering inside the boot. From the point
25 of view of practical use, a further advantage offered by this second embodiment consists in the fact that it is not necessary to rotate the distal plates in their planes in order to change from one configuration of the boot to another.

30 A third embodiment of the invention differs from the preceding embodiment in that it envisages, in the zones ZE and ZI, distal plates, such as that indicated in Figure 5 by the reference number 47, as means for

- 9 -

inserting the screws 52 and/or 53 which form the actual adjustable hinging means for the leg-piece 20 on the shell 10. The plate 47 has two through-holes 44, 46 which are associated with vertically elongated eyelets 28 and 29 provided on the leg-piece 20 in the recess inside which said plate is housed. Consequently, in addition to the five configurations of the second embodiment, in this way it is also possible to displace vertically the hinging axis of the leg-piece 20 on the shell 10 (always coinciding with the centres of the threaded holes 34, 36 or 37 on the part 12 of the shell 10 inside which the screws engage). The amount of this possible displacement in the vertical direction corresponds to the eccentricity D of the elongated eyelets 28 and 29. This third embodiment of the invention therefore offers the further advantage that the said means used for adjusting hinging of the leg-piece on the shell also allow adjustment of the so-called "canting" of the boot.

A fourth embodiment of the invention, which also allows the "canting" of the shoe to be adjusted without the addition of special-purpose means, in turn envisages the use of proximal plates such as that indicated by the reference number 38 in Figure 6 and having, on the side directed towards the leg-piece, two lugs 39 with respective threaded holes 34' and 36' designed to engage with screws (not shown) which in this case also are inserted via the holes in the associated distal plates.

From the above description it emerges that the main advantage of the invention consists in an adjustment which hitherto has not been possible for shoes of the type considered here, it being possible to

- 10 -

perform said adjustment in a permanent manner at the time of purchase and with the aid of a basic tool such as a screwdriver. The means which allow transition from one configuration of the shoe to another are, in
5 turn, very simple, entirely compatible with the current technology used for manufacture of this footwear and do not increase significantly the industrial cost of the latter.

In addition to those described hereinabove, other
10 variations and embodiments of the invention may obviously be developed within the scope of protection of the following claims, such as:

- proximal plates which have a more or less round shape owing to the presence of more than two threaded
15 holes, so as to increase the possible arrangements of the axis of rotation of the leg-piece on the shell, if necessary also in planes inclined relative to the longitudinal centre axis of the shoe. By way of a variant it will obviously be possible to use a number
20 of flanged and threaded bushes fixed to the inner surface of the shell, greater than two;

- distal plates slidable horizontally on the outer surface of the leg-piece so as to change from one angular arrangement of the hinging axis to another,
25 relative to the longitudinal centre plane M of the shoe;

- use of hinging means other than screws with a flat flared head, for example conical pins or the like.

- 11 -

Claims

1. Sports shoe, for example for skating or downhill skiing, having a zone on the inner side (ZI) and a zone on the outer side (ZE) relative to the longitudinal centre plane (M), in which the leg-piece (20) is arranged overlapping a part (12) of the shell (10) which extends upwards and this part (12) has, joined to it, adjustable hinging means (52, 53) which define an axis about which the leg-piece (20) is able to perform a flexing movement of controlled amplitude along the centre plane (M), characterized in that each of the said overlapping zones (ZI, ZE) on the outer surfaces of the leg-piece (20) are provided with means (42,41; 47) for allowing selective insertion and subsequent locking of at least one of the hinging means (52, 53) in any one of the matching seats (33, 34, 35, 36; 37; 34', 36') provided on the said upwardly extending part (12) of the shell (10) so that, as required by the user, the said hinging axis may assume at least two different angular positions (X1, X2, X3, X4) relative to the centre plane (M).

2. Sports shoe according to Claim 1, characterized in that the hinging means (52, 53) are elongated bodies designed to be inserted, from the outside, into through-openings (44, 46, 43) provided on rigid insertion plates (42, 41; 47), each of which is able to assume at least two different positions on the outer surface of the leg-piece (20) and the ends of which are engageable in one of the matching seats (33, 34, 35, 36; 37) provided on the said part (12) of the shell (10).

3. Sports shoe according to Claim 2, characterized in that the said rigid insertion plates

- 12 -

(41, 42) are designed to assume at least two angularly spaced positions on the outer surface of the leg-piece (20).

4. Sports shoe according to Claim 2,
5 characterized in that the said rigid insertion plates (41, 42; 47) are designed to assume at least two linearly spaced positions on the outer surface of the leg-piece 20.

5. Sports shoe according to Claim 4,
10 characterized in that, when the said rigid insertion plates (47) are designed to assume at least two linearly spaced positions along the vertical on the outer surface of the leg-piece (20), adjustment of the "canting" is also possible.

15 6. Sports shoe according to any one of the preceding claims, characterized in that the said hinging means are screws (51, 52, 53) and in that their end part is designed to engage in threaded openings (34, 36, 33, 35; 37, 39; 34', 36') fixed to the said
20 upwardly extending part (12) of the shell (10).

7. Sports shoe according to Claim 6,
characterized in that the said threaded openings (33, 35, 34, 36; 34', 36') are provided on rigid plates (31, 32; 37) fixed to the said upwardly extending part (12)
25 of the shell (10).

8. Sports shoe according to Claim 6,
characterized in that the said threaded openings consist of flanged and threaded bushes (37) fixed to the said upwardly projecting part (12) of the shell
30 (10).

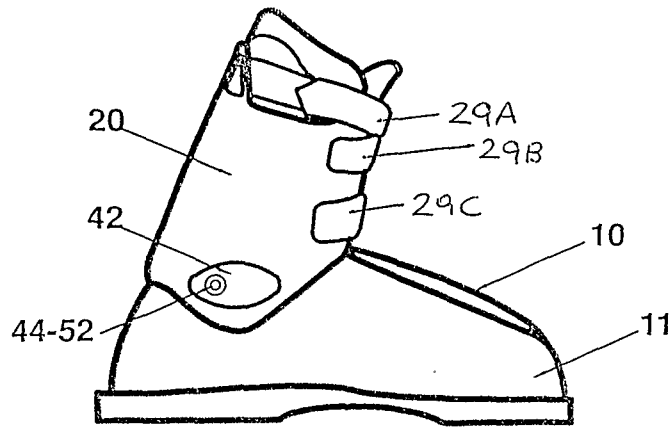


FIG. 1

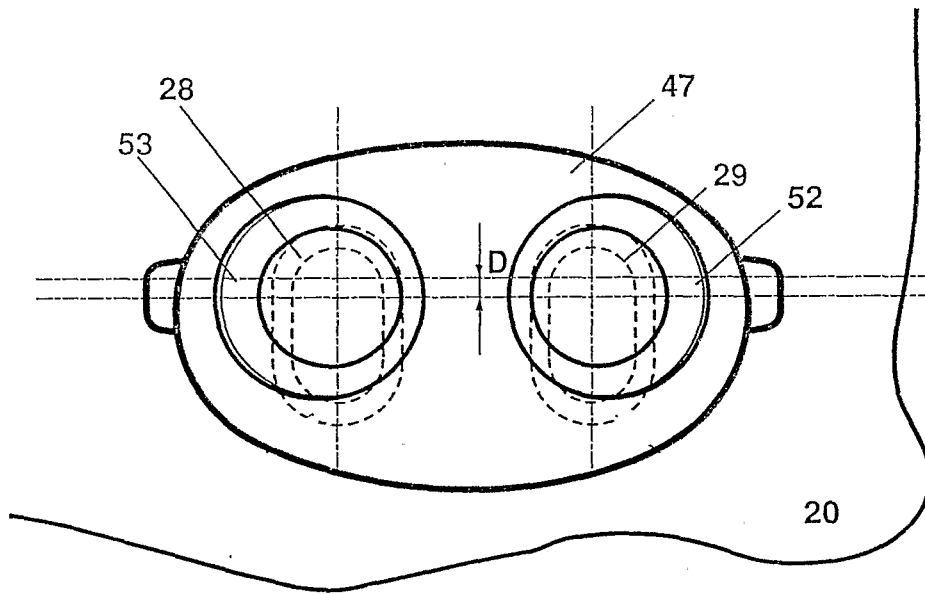


FIG. 5

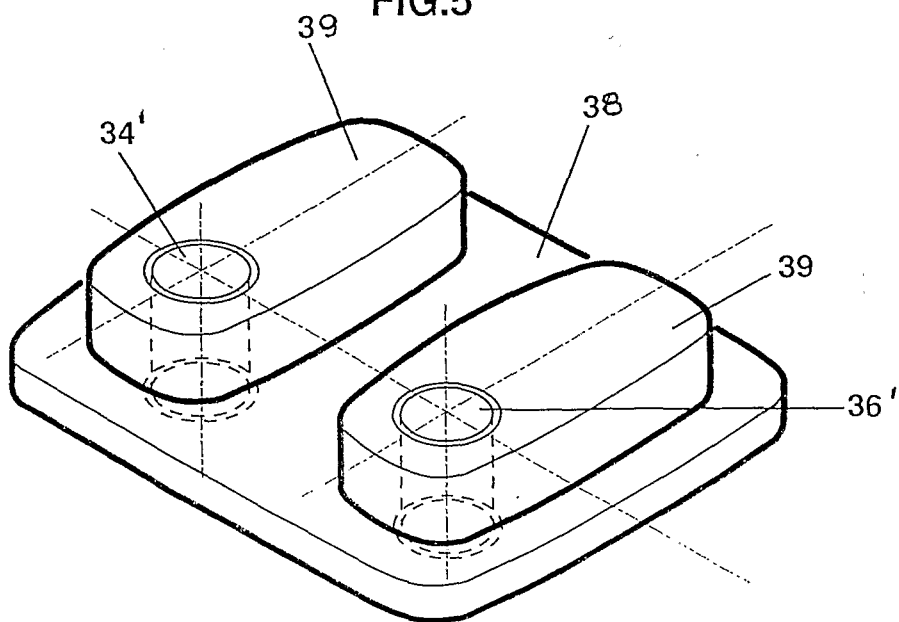


FIG. 6

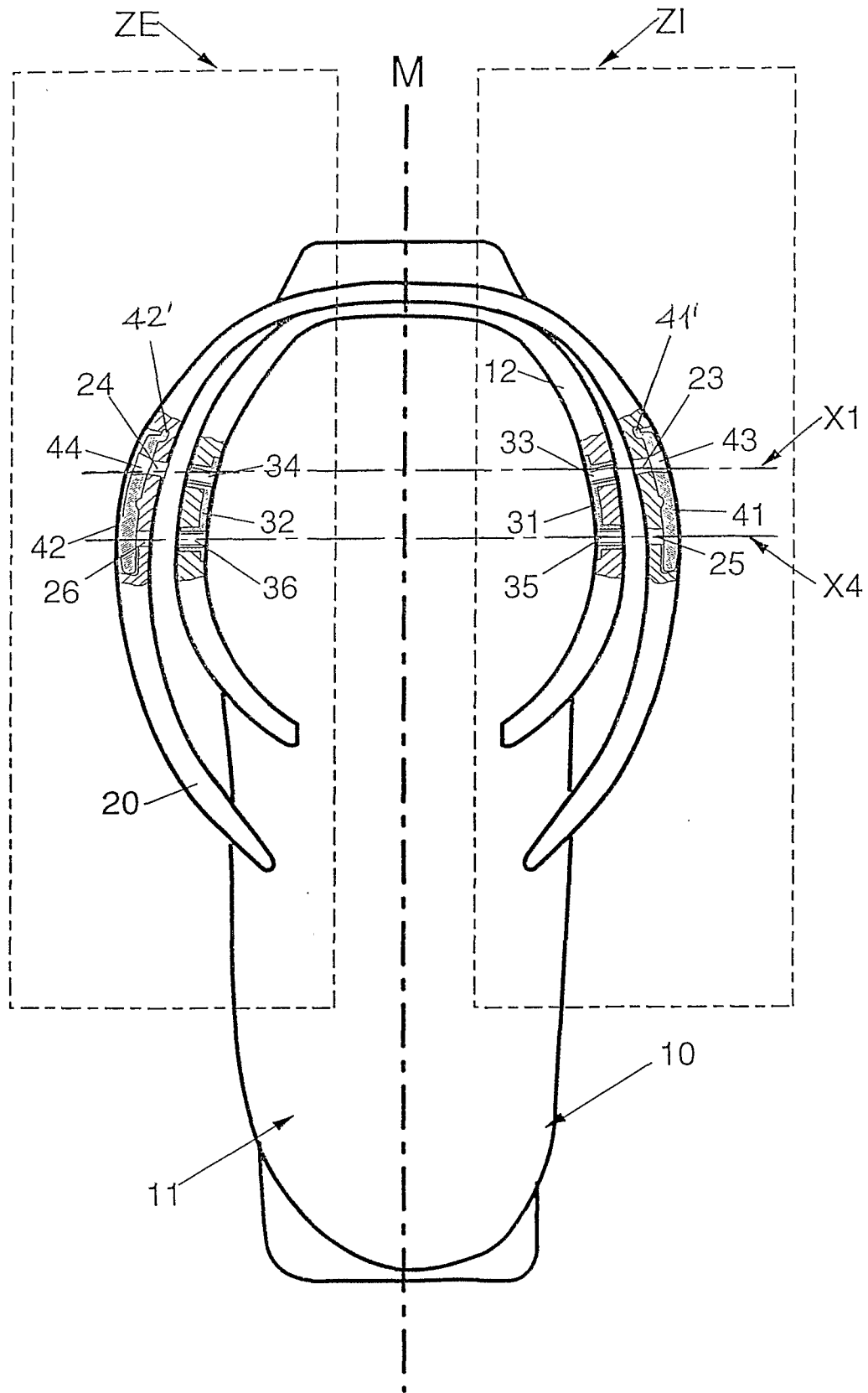


FIG.2

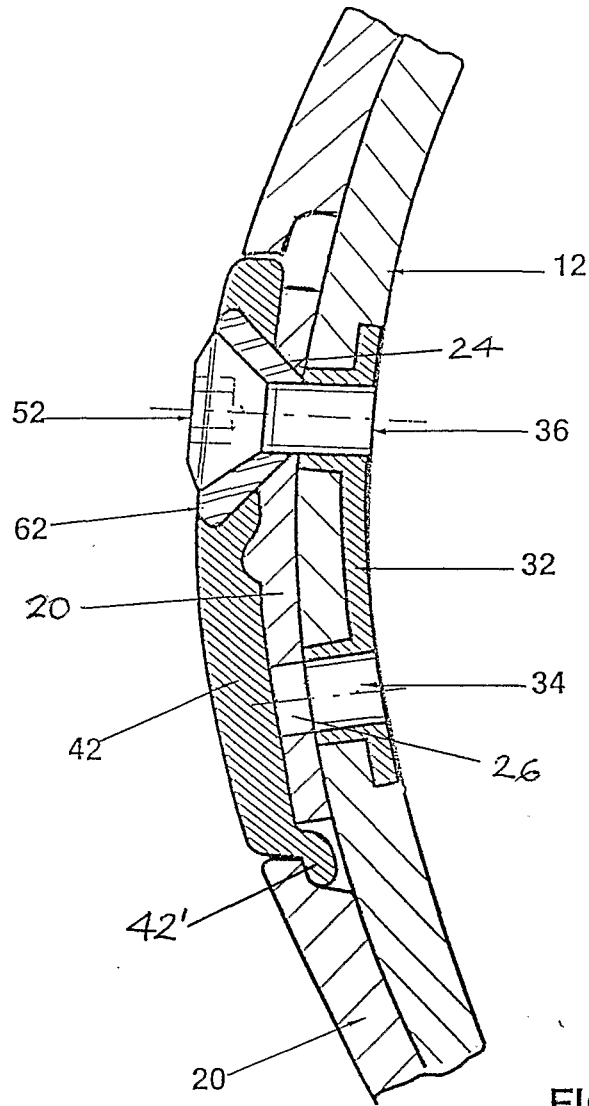


FIG. 3

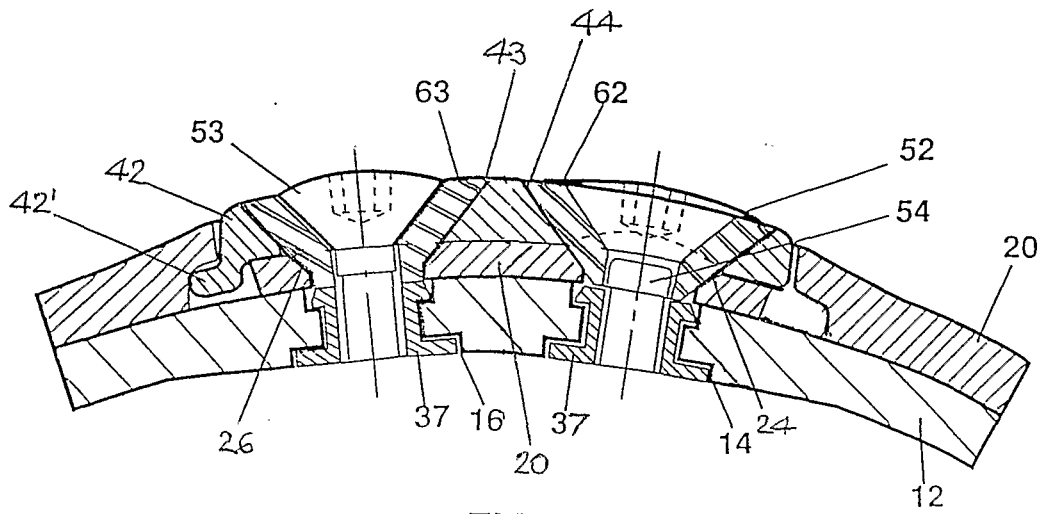


FIG. 4

INTERNATIONAL SEARCH REPORT

Internati .pplication No
PCT/IT 00/00351

A. CLASSIFICATION OF SUBJECT MATTER
IPC 7 A43B5/04

According to International Patent Classification (IPC) or to both national classification and IPC

B. FIELDS SEARCHED

Minimum documentation searched (classification system followed by classification symbols)
IPC 7 A43B

Documentation searched other than minimum documentation to the extent that such documents are included in the fields searched

Electronic data base consulted during the international search (name of data base and, where practical, search terms used)

EPO-Internal, WPI Data, PAJ

C. DOCUMENTS CONSIDERED TO BE RELEVANT

Category °	Citation of document, with indication, where appropriate, of the relevant passages	Relevant to claim No.
X	US 4 916 835 A (PERRISSOUD CLAUDE ET AL) 17 April 1990 (1990-04-17) column 1, line 12 - line 27 column 3, line 7 -column 5, line 9; claims; figures ---	1-7
X	EP 0 775 454 A (WEBER BERNHARD G) 28 May 1997 (1997-05-28) column 3, line 56 -column 4, line 33; claims; figures ---	1-7
X	US 4 601 118 A (ZANATTA RUGGERO) 22 July 1986 (1986-07-22) column 1, line 11 - line 34 column 1, line 52 -column 2, line 2 column 2, line 26 -column 3, line 34; figures ---	1-7
	-/--	

Further documents are listed in the continuation of box C.

Patent family members are listed in annex.

° Special categories of cited documents :

- *A* document defining the general state of the art which is not considered to be of particular relevance
- *E* earlier document but published on or after the international filing date
- *L* document which may throw doubts on priority claim(s) or which is cited to establish the publication date of another citation or other special reason (as specified)
- *O* document referring to an oral disclosure, use, exhibition or other means
- *P* document published prior to the international filing date but later than the priority date claimed

- *T* later document published after the international filing date or priority date and not in conflict with the application but cited to understand the principle or theory underlying the invention
- *X* document of particular relevance; the claimed invention cannot be considered novel or cannot be considered to involve an inventive step when the document is taken alone
- *Y* document of particular relevance; the claimed invention cannot be considered to involve an inventive step when the document is combined with one or more other such documents, such combination being obvious to a person skilled in the art.
- *&* document member of the same patent family

Date of the actual completion of the international search

23 May. 2001

Date of mailing of the international search report

30/05/2001

Name and mailing address of the ISA

European Patent Office, P.B. 5818 Patentlaan 2
NL - 2280 HV Rijswijk
Tel. (+31-70) 340-2040, Tx. 31 651 epo nl,
Fax: (+31-70) 340-3016

Authorized officer

Acerbis, G

INTERNATIONAL SEARCH REPORT

International Application No

PCT/11 00/00351

C.(Continuation) DOCUMENTS CONSIDERED TO BE RELEVANT		
Category *	Citation of document, with indication, where appropriate, of the relevant passages	Relevant to claim No.
X	FR 2 433 311 A (DESIRE SPORT) 14 March 1980 (1980-03-14) page 1, line 7 - line 34 page 3, line 2 - line 11; figures -----	1-5

INTERNATIONAL SEARCH REPORT

Information on patent family members

International Application No PCT/IT 00/00351
--

Patent document cited in search report	Publication date	Patent family member(s)	Publication date
US 4916835 A	17-04-1990	FR 2617380 A IT 1217982 B JP 1198501 A	06-01-1989 30-03-1990 10-08-1989
EP 0775454 A	28-05-1997	CH 689930 A AT 200191 T DE 59606704 D JP 9168403 A	15-02-2000 15-04-2001 10-05-2001 30-06-1997
US 4601118 A	22-07-1986	NONE	
FR 2433311 A	14-03-1980	NONE	