



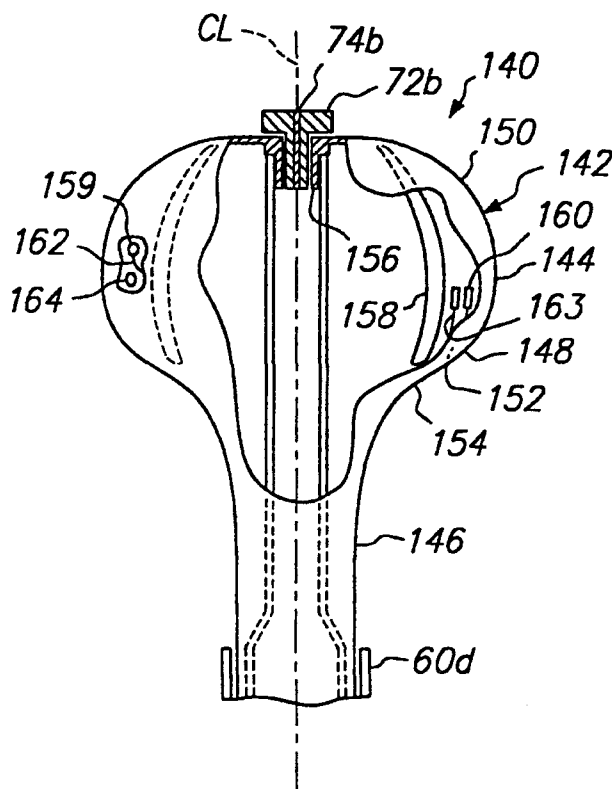
INTERNATIONAL APPLICATION PUBLISHED UNDER THE PATENT COOPERATION TREATY (PCT)

<p>(51) International Patent Classification ⁷ : B29C 41/14, A61B 18/14, A61N 1/05, B29C 41/20, B29C 33/48</p>	A3	<p>(11) International Publication Number: WO 00/29062</p> <p>(43) International Publication Date: 25 May 2000 (25.05.00)</p>
<p>(21) International Application Number: PCT/EP99/08729</p> <p>(22) International Filing Date: 12 November 1999 (12.11.99)</p> <p>(30) Priority Data: 09/189,918 12 November 1998 (12.11.98) US</p> <p>(71) Applicant: BOSTON SCIENTIFIC LIMITED [IE/BB]; Financial Services Centre, P.O. Box 111, Bishop's Court Hill, St. Michael (BB).</p> <p>(72) Inventors: WHAYNE, James, G.; 17930 Los Felice Drive, Saratoga, CA 95070 (US). YANG, Yi; 2394 45th Avenue, San Francisco, CA 94116 (US). OWENS, Patrick, M.; 10380 N. Walnut Circle #A, Cupertino, CA 95014 (US). SWANSON, David, K.; 877 Heatherstone Way #705, Mountain View, CA 94040 (US).</p> <p>(74) Agent: VIERING, JENTSCHURA & PARTNER; Steinsdorfs-trasse 6, D-80538 München (DE).</p>		<p>(81) Designated States: AE, AL, AM, AT, AU, AZ, BA, BB, BG, BR, BY, CA, CH, CN, CR, CU, CZ, DE, DK, DM, EE, ES, FI, GB, GD, GE, GH, GM, HR, HU, ID, IL, IN, IS, JP, KE, KG, KP, KR, KZ, LC, LK, LR, LS, LT, LU, LV, MA, MD, MG, MK, MN, MW, MX, NO, NZ, PL, PT, RO, RU, SD, SE, SG, SI, SK, SL, TJ, TM, TR, TT, TZ, UA, UG, UZ, VN, YU, ZA, ZW, ARIPO patent (GH, GM, KE, LS, MW, SD, SL, SZ, TZ, UG, ZW), Eurasian patent (AM, AZ, BY, KG, KZ, MD, RU, TJ, TM), European patent (AT, BE, CH, CY, DE, DK, ES, FI, FR, GB, GR, IE, IT, LU, MC, NL, PT, SE), OAPI patent (BF, BJ, CF, CG, CI, CM, GA, GN, GW, ML, MR, NE, SN, TD, TG).</p> <p>Published <i>With international search report.</i></p> <p>(88) Date of publication of the international search report: 23 November 2000 (23.11.00)</p>

(54) Title: METHOD OF MANUFACTURING CELLULOSIC STRUCTURES, AND ELECTRODE ASSEMBLY COMPRISING AN EXPANDABLE-COLLAPSIBLE BODY

(57) Abstract

Methods of manufacturing cellulosic structures, e.g., for use in expandable-collapsible electrode assemblies for diagnostic and/or therapeutic electrophysiology devices, are disclosed. One such preferred method includes providing a mandrel having a head portion and a neck portion, the head portion having an outer circumference greater than the neck portion, dipping the mandrel into a cellulosic substance, curing the cellulosic substance, and separating the mandrel from the cured cellulosic substance. According to a separate aspect of the invention, an electrode assembly is provided, which includes an expandable-collapsible body and a biasing device adapted to resiliently urge a distal portion of the body against adjacent body tissue.



FOR THE PURPOSES OF INFORMATION ONLY

Codes used to identify States party to the PCT on the front pages of pamphlets publishing international applications under the PCT.

AL	Albania	ES	Spain	LS	Lesotho	SI	Slovenia
AM	Armenia	FI	Finland	LT	Lithuania	SK	Slovakia
AT	Austria	FR	France	LU	Luxembourg	SN	Senegal
AU	Australia	GA	Gabon	LV	Latvia	SZ	Swaziland
AZ	Azerbaijan	GB	United Kingdom	MC	Monaco	TD	Chad
BA	Bosnia and Herzegovina	GE	Georgia	MD	Republic of Moldova	TG	Togo
BB	Barbados	GH	Ghana	MG	Madagascar	TJ	Tajikistan
BE	Belgium	GN	Guinea	MK	The former Yugoslav Republic of Macedonia	TM	Turkmenistan
BF	Burkina Faso	GR	Greece	ML	Mali	TR	Turkey
BG	Bulgaria	HU	Hungary	MN	Mongolia	TT	Trinidad and Tobago
BJ	Benin	IE	Ireland	MR	Mauritania	UA	Ukraine
BR	Brazil	IL	Israel	MW	Malawi	UG	Uganda
BY	Belarus	IS	Iceland	MX	Mexico	US	United States of America
CA	Canada	IT	Italy	NE	Niger	UZ	Uzbekistan
CF	Central African Republic	JP	Japan	NL	Netherlands	VN	Viet Nam
CG	Congo	KE	Kenya	NO	Norway	YU	Yugoslavia
CH	Switzerland	KG	Kyrgyzstan	NZ	New Zealand	ZW	Zimbabwe
CI	Côte d'Ivoire	KP	Democratic People's Republic of Korea	PL	Poland		
CM	Cameroon	KR	Republic of Korea	PT	Portugal		
CN	China	KZ	Kazakstan	RO	Romania		
CU	Cuba	LC	Saint Lucia	RU	Russian Federation		
CZ	Czech Republic	LI	Liechtenstein	SD	Sudan		
DE	Germany	LK	Sri Lanka	SE	Sweden		
DK	Denmark	LR	Liberia	SG	Singapore		
EE	Estonia						

INTERNATIONAL SEARCH REPORT

International Application No
PCT/EP 99/08729

A. CLASSIFICATION OF SUBJECT MATTER
 IPC 7 B29C41/14 A61B18/14 A61N1/05 B29C41/20 B29C33/48

According to International Patent Classification (IPC) or to both national classification and IPC

B. FIELDS SEARCHED
 Minimum documentation searched (classification system followed by classification symbols)
 IPC 7 B29C B29H A61B

Documentation searched other than minimum documentation to the extent that such documents are included in the fields searched

Electronic data base consulted during the international search (name of data base and, where practical, search terms used)
 EPO-Internal, WPI Data, PAJ

C. DOCUMENTS CONSIDERED TO BE RELEVANT

Category °	Citation of document, with indication, where appropriate, of the relevant passages	Relevant to claim No.
X	FR 651 829 A (BERENYI ET AL.) 28 February 1929 (1929-02-28)	1,4-6, 9-11
Y	the whole document	8,12,13
P,Y	WO 98 58681 A (EP TECHNOLOGIES) 30 December 1998 (1998-12-30) the whole document	8,12,13
X	DE 686 416 C (DR. KURT BRATRING) 14 December 1939 (1939-12-14)	1,4
Y	the whole document	13
Y	US 5 562 720 A (RICHMAN ROXANNE L ET AL) 8 October 1996 (1996-10-08) column 14, line 8 - line 60; figures 19,20	13
	-/--	

Further documents are listed in the continuation of box C. Patent family members are listed in annex.

° Special categories of cited documents :

<p>"A" document defining the general state of the art which is not considered to be of particular relevance</p> <p>"E" earlier document but published on or after the international filing date</p> <p>"L" document which may throw doubts on priority claim(s) or which is cited to establish the publication date of another citation or other special reason (as specified)</p> <p>"O" document referring to an oral disclosure, use, exhibition or other means</p> <p>"P" document published prior to the international filing date but later than the priority date claimed</p>	<p>"T" later document published after the international filing date or priority date and not in conflict with the application but cited to understand the principle or theory underlying the invention</p> <p>"X" document of particular relevance; the claimed invention cannot be considered novel or cannot be considered to involve an inventive step when the document is taken alone</p> <p>"Y" document of particular relevance; the claimed invention cannot be considered to involve an inventive step when the document is combined with one or more other such documents, such combination being obvious to a person skilled in the art.</p> <p>"&" document member of the same patent family</p>
--	--

Date of the actual completion of the international search 14 September 2000	Date of mailing of the international search report 20.09.2000
---	---

Name and mailing address of the ISA European Patent Office, P.B. 5818 Patentlaan 2 NL - 2280 HV Rijswijk Tel. (+31-70) 340-2040, Tx. 31 651 epo nl, Fax: (+31-70) 340-3016	Authorized officer Papone, F
--	--

INTERNATIONAL SEARCH REPORT

In. ational Application No
PCT/EP 99/08729

C.(Continuation) DOCUMENTS CONSIDERED TO BE RELEVANT		
Category °	Citation of document, with indication, where appropriate, of the relevant passages	Relevant to claim No.
A	WO 97 25918 A (EP TECHNOLOGIES) 24 July 1997 (1997-07-24) ref. sign 64,24 column 13, line 10-30; figures 13,5 -----	16
A	US 5 766 171 A (SILVESTRINI THOMAS A) 16 June 1998 (1998-06-16) -----	
A	US 4 043 342 A (MORRISON JR CHARLES F) 23 August 1977 (1977-08-23) -----	
A	EP 0 856 291 A (MEDTRONIC INC) 5 August 1998 (1998-08-05) -----	
A	WO 95 05780 A (HOOD LARRY L) 2 March 1995 (1995-03-02) -----	

INTERNATIONAL SEARCH REPORT

International application No.
PCT/EP 99/08729

Box I Observations where certain claims were found unsearchable (Continuation of item 1 of first sheet)

This International Search Report has not been established in respect of certain claims under Article 17(2)(a) for the following reasons:

- 1. Claims Nos.:
because they relate to subject matter not required to be searched by this Authority, namely:

- 2. Claims Nos.:
because they relate to parts of the International Application that do not comply with the prescribed requirements to such an extent that no meaningful International Search can be carried out, specifically:

- 3. Claims Nos.:
because they are dependent claims and are not drafted in accordance with the second and third sentences of Rule 6.4(a).

Box II Observations where unity of invention is lacking (Continuation of item 2 of first sheet)

This International Searching Authority found multiple inventions in this international application, as follows:

see additional sheet

- 1. As all required additional search fees were timely paid by the applicant, this International Search Report covers all searchable claims.

- 2. As all searchable claims could be searched without effort justifying an additional fee, this Authority did not invite payment of any additional fee.

- 3. As only some of the required additional search fees were timely paid by the applicant, this International Search Report covers only those claims for which fees were paid, specifically claims Nos.:

- 4. No required additional search fees were timely paid by the applicant. Consequently, this International Search Report is restricted to the invention first mentioned in the claims; it is covered by claims Nos.:

Remark on Protest

- The additional search fees were accompanied by the applicant's protest.
- No protest accompanied the payment of additional search fees.

FURTHER INFORMATION CONTINUED FROM PCT/ISA/ 210

This International Searching Authority found multiple (groups of) inventions in this international application, as follows:

1. Claims: 1-15

Method of manufacturing a cellulosic structure

2. Claims: 16-22

Electrode assembly

INTERNATIONAL SEARCH REPORT

Information on patent family members

International Application No

PCT/EP 99/08729

Patent document cited in search report	A	Publication date	Patent family member(s)	Publication date
FR 651829	A	27-02-1929	NONE	
<hr/>				
WO 9858681	A	30-12-1998	US 5991650 A	23-11-1999
			AU 8070298 A	04-01-1999
			EP 0991431 A	12-04-2000
<hr/>				
DE 686416	C		NONE	
<hr/>				
US 5562720	A	08-10-1996	US 5277201 A	11-01-1994
			US 5443470 A	22-08-1995
			US 5443463 A	22-08-1995
			AU 679271 B	26-06-1997
			AU 7931494 A	04-05-1995
			CA 2173851 A	20-04-1995
			EP 0723467 A	31-07-1996
			JP 9503689 T	15-04-1997
			WO 9510326 A	20-04-1995
			US 5643304 A	01-07-1997
			AT 164503 T	15-04-1998
			AU 4105293 A	29-11-1993
			CA 2117900 A	11-11-1993
			DE 69317776 D	07-05-1998
			DE 69317776 T	10-09-1998
			EP 0637943 A	15-02-1995
			FI 945112 A	31-10-1994
			IL 105523 A	10-01-1997
			JP 7506033 T	06-07-1995
			NO 944072 A	26-10-1994
			WO 9321846 A	11-11-1993
			US 6041260 A	21-03-2000
			US 5713942 A	03-02-1998
			AU 6625594 A	08-11-1994
			CA 2159483 A	27-10-1994
			EP 0693955 A	31-01-1996
			JP 8508912 T	24-09-1996
			WO 9423794 A	27-10-1994
			AU 7671594 A	14-03-1996
			WO 9605776 A	29-02-1996
<hr/>				
WO 9725918	A	24-07-1997	US 5879348 A	09-03-1999
			CA 2243481 A	04-12-1997
			CA 2243595 A	24-07-1997
			EP 0879015 A	25-11-1998
			EP 0975386 A	02-02-2000
			JP 2000504242 T	11-04-2000
			WO 9725916 A	24-07-1997
			WO 9725917 A	24-07-1997
			WO 9725919 A	24-07-1997
			WO 9725929 A	24-07-1997
			WO 9745156 A	04-12-1997
			US 5925038 A	20-07-1999
			US 5846238 A	08-12-1998
			US 5871483 A	16-02-1999
			US 5853411 A	29-12-1998
			US 5891135 A	06-04-1999
			US 5891136 A	06-04-1999
			US 5961513 A	05-10-1999
			US 5991650 A	23-11-1999

INTERNATIONAL SEARCH REPORT

Information on patent family members

International Application No

PCT/EP 99/08729

Patent document cited in search report	Publication date	Patent family member(s)	Publication date
WO 9725918 A		US 6099526 A	08-08-2000
US 5766171 A	16-06-1998	AU 686743 B	12-02-1998
		AU 1700395 A	29-08-1995
		BR 9506762 A	07-10-1997
		CA 2183103 A	17-08-1995
		CN 1143900 A	26-02-1997
		EP 0743838 A	27-11-1996
		IL 112576 A	30-10-1998
		JP 9511161 T	11-11-1997
		SG 52621 A	28-09-1998
		WO 9521578 A	17-08-1995
US 4043342 A	23-08-1977	US 3987795 A	26-10-1976
		US 3970088 A	20-07-1976
EP 0856291 A	05-08-1998	US 5916213 A	29-06-1999
		JP 10290806 A	04-11-1998
		US 6068629 A	30-05-2000
WO 9505780 A	02-03-1995	US 5749871 A	12-05-1998
		AU 691198 B	14-05-1998
		AU 7601194 A	21-03-1995
		AU 8076998 A	08-10-1998
		BR 9407569 A	31-12-1996
		CA 2169943 A	02-03-1995
		CN 1133001 A	09-10-1996
		EP 0715505 A	12-06-1996
		JP 9504447 T	06-05-1997
		NO 960716 A	22-04-1996
		PL 313222 A	10-06-1996
		US 5533999 A	09-07-1996