

FOR THE PURPOSES OF INFORMATION ONLY

Codes used to identify States party to the PCT on the front pages of pamphlets publishing international applications under the PCT.

AM	Armenia	GB	United Kingdom	MW	Malawi
AT	Austria	GE	Georgia	MX	Mexico
AU	Australia	GN	Guinea	NE	Niger
BB	Barbados	GR	Greece	NL	Netherlands
BE	Belgium	HU	Hungary	NO	Norway
BF	Burkina Faso	IE	Ireland	NZ	New Zealand
BG	Bulgaria	IT	Italy	PL	Poland
BJ	Benin	JP	Japan	PT	Portugal
BR	Brazil	KE	Kenya	RO	Romania
BY	Belarus	KG	Kyrgystan	RU	Russian Federation
CA	Canada	KP	Democratic People's Republic of Korea	SD	Sudan
CF	Central African Republic	KR	Republic of Korea	SE	Sweden
CG	Congo	KZ	Kazakhstan	SG	Singapore
CH	Switzerland	LI	Liechtenstein	SI	Slovenia
CI	Côte d'Ivoire	LK	Sri Lanka	SK	Slovakia
CM	Cameroon	LR	Liberia	SN	Senegal
CN	China	LT	Lithuania	SZ	Swaziland
CS	Czechoslovakia	LU	Luxembourg	TD	Chad
CZ	Czech Republic	LV	Latvia	TG	Togo
DE	Germany	MC	Monaco	TJ	Tajikistan
DK	Denmark	MD	Republic of Moldova	TT	Trinidad and Tobago
EE	Estonia	MG	Madagascar	UA	Ukraine
ES	Spain	ML	Mali	UG	Uganda
FI	Finland	MN	Mongolia	US	United States of America
FR	France	MR	Mauritania	UZ	Uzbekistan
GA	Gabon			VN	Viet Nam

BLADE HOLDER

The present invention relates to a blade holder for creping of a web, particularly a paper web, travelling on a rotating cylinder, or for doctoring a rotating cylinder surface.

5 The development in the paper manufacture technology has resulted in demands for ever increasing production rates coupled to increasing web widths. Today plants are installed having paper speeds of up to 1500 m/min and with paper widths which in some cases are up to 8 m or
10 more. Such plants require great precision with regard to blade suspension and possibility of section-wise individual adaptation of the engagement pressure of the blade across the whole width of the web. Furthermore, the high costs associated with even short standstill of a large
15 machine require that machine maintenance in the form of for example blade replacement can be carried out quickly and effectively with a minimum of time waste. Furthermore, there is required for obtaining optimal function the possibility of adjusting the blade angle of attack in re-
20 lation to the cylinder on which the paper web is fed in a simple manner.

The present invention has for its object to provide a blade holder device for creping of web travelling on a rotating cylinder or for doctoring a cylinder surface,
25 said device meeting high demands in the respects as indicated above.

Accordingly, the invention has for a primary object to provide a blade holder for creping of a travelling web, particularly a paper web, wherein the engagement
30 pressure of the blade on the cylinder carrying the travelling web can be adjusted along the whole length of the blade without changing the blade angle of attack against the cylinder surface.

Another object of the invention is to provide a blade holder enabling easy exchange of blade at a minimum of
35 time.

Yet an object of the invention is to provide a blade holder by which the blade angle of attack against the cylinder carrying the travelling web can be varied in a simple manner without affecting other parameters.

5 Another object is to provide for a simple method of adjusting the blade holder for varying blade widths.

A further object is to provide possibility for section-wise individual adjustment of the engagement pressure of the blade against the cylinder.

10 For these and other objects which will be clear from the following description there is provided through the present invention a blade holder for creping of a web, particularly a paper web, travelling on a rotating cylinder, or for doctoring the surface of the cylinder, comprising a blade directed opposite to the travelling direction of the cylinder, a blade holder for the blade, further comprising a pressure ledge extending along the whole length of the blade and arranged to exert a pressure at or adjacent to the upper longitudinal edge of the blade via pivotable pressure arms evenly distributed along the length of the ledge and arranged on the blade holder to bring said edge to engagement against the cylinder. Said blade holder is characterized in that each pressure arm is arranged to be individually actuated by a pressure means having a double folded membrane for actuation of the pressure arm by means of a pressure medium.

25 According to a preferred embodiment of the blade holder according to the invention each pressure arm has associated therewith an individually adjustable counter-pressure means whereby the actuation of the blade by the pressure means can be balanced.

In a particularly preferred embodiment of the blade holder according to the invention the membrane is provided with a double folded annular member, said member comprising a central section surrounded by said member cooperating with a stop member fixed onto the blade holder, and a ring-shaped section surrounding the annular

section, said ring-shaped section being leak-tight connected to a surrounding ring element, said membrane and a corresponding lid element together with the ring element defining a pressure chamber which, via an opening, can be
5 pressurized to a desired pressure by means of a pressure medium, said pressure affecting the associated pressure arm via the ring element.

With regard to the blade holder and the attachment of the blade to the holder it is preferred that the blade
10 holder comprises a blade carrier ledge provided with a groove or recess extending along the whole length of the blade carrier ledge and having a depth short of the width of the blade and widening outwardly so that the blade with its lower longitudinal edge contained in the groove
15 or recess in the absence of exterior influence can tilt and move freely towards or away from the cylinder.

It is, moreover, preferred that the blade holder comprises a carrier beam carrying guide ledges extending along the whole length of the blade and between which the
20 blade can be displaced upwardly towards the cylinder synchronously with the wear of the blade.

Furthermore, the carrier beam suitably carries jackscrews whereby the blade carrier ledge is continuously displaceable towards the cylinder in accordance with the
25 wear of the blade.

In this context it is particularly preferred that each jackscrew is provided with an adjustment nob with a scale which is graduated in such a manner as to show the distance between the point of engagement of the blade
30 against the cylinder and the bottom of the recess of the blade carrier ledge thus giving a measure of the width of the blade.

In a preferred embodiment of the blade holder according to the invention the press ledge is arranged to exert its pressure adjacent to the longitudinal edge of the
35 blade engaging the cylinder so as to impart no essential bending of the blade. In order to obtain such condition

it is suitable that the pressure of the press ledge against the blade is exerted along a line at a distance of less than about 15 mm and preferably 3-8 mm from the point of contact of the blade with the cylinder.

5 In yet another preferred embodiment of the blade holder according to the invention it comprises suspension arms for the carrier beam arranged at each end of the blade holder each provided with two legs and attached to the carrier beam at the ends thereof, one leg being piv-
10 tably connected to a fixed element, whereas the other leg via a first position adjustment means can be raised or lowered for controlling the blade angle in relation to a tangent to the surface of the cylinder, and the pivot center (C) being positioned in the point of attachment
15 between the blade and the cylinder. By this arrangement the attack angle of the blade can thus be varied without changing other conditions.

For the purpose of enabling maintenance, for example exchange of blade, it is preferred that the blade holder
20 according to the invention comprises a rocking means, whereby the blade with the carrier beam can be moved between an operating position and an inoperative position, said rocking means comprising link arms arranged at each end of the carrier beam which at one end thereof are pi-
25 votably connected and one link arm at the opposite end thereof is pivotably connected to a pivot arm which is fixed to the rotary shaft of the carrier beam and the opposite end of the other link arm is pivotably connected to the suspension arm, a second position adjustment means
30 being arranged on the latter arm capable of moving the pivotable point of attachment of the link arms to a rectangular operative position or an angular inoperative position.

In a particularly preferred embodiment of this device
35 the second position adjustment means is pivotably connected to the suspension arm and is constituted by a hydraulic or pneumatic cylinder having a piston and a piston

bar at the free end of which said one end of the link arms is pivotably connected. Furthermore, the position adjustment means is suitably connected to the fixed element, whereas the opposite end of the second link arm preferably is connected to a first projection on the second leg.

The invention will now be further illustrated in connection to a preferred embodiment and with reference to the appended drawings, wherein:

10 Fig. 1 is a sideview diagrammatically illustrating a blade holder in accordance with the invention;

Fig. 2 shows said embodiment with the blade in an inoperative position;

15 Fig. 3 shows more in detail and in an enlargement the arrangement around the blade carrier and the blade; and

Fig. 4 shows a detail in enlargement of the blade carrier with carrier beam and operative means associated with the blade.

20 With particular reference to Figs. 1 and 2 the embodiment of the blade holder according to the invention illustrated in the drawings comprises a blade carrier device generally designated 1 carrying a blade 3, for example intended for the creping of a paper web, said blade in
25 turn resting on a blade carrier ledge 5, especially in a groove or recess 11 arranged at the upper part of said ledge. As is clear from for example Fig. 3 said recess 11 extends along the whole length of the blade carrier ledge 5 and has a depth substantially short of the width of the
30 blade and widening upwardly in such a manner that blade 3 with its lower longitudinal edge contained in the recess in the absence of outer influence can tilt and move freely towards or away from a cylinder 2 on which the traveling web is carried.

35 The blade carrier ledge 5 is placed between two guide members 7,9 extending along the whole length of the blade carrier ledge and the blade.

As is clear from Fig. 4 the supporting function of the blade carrier is provided by a beam profile 41 with an upper plate 43 arranged on top of said profile, the blade 3 and associated guide members 7,9 being placed on said plate.

As is clear from Fig. 3 the blade carrier ledge 5 can be moved upwardly synchronously with the wear of the blade 3 by at least two adjustment devices generally designated 45 arranged at both ends of the blade carrier ledge 5. The adjustment device 45 includes a worm gear 47 with a screw 49 and a cooperating tooth wheel 51 rotatable around an axis 53 by means of a handle wheel 55 with a handle 57. The screw 49 is at its upper end provided with a threaded section 59 cooperating with a corresponding interior thread in the blade carrier ledge 5. The handle wheel 55 is provided with a graduated scale 56 which is graduated in such a manner that it shows the distance between the point C of engagement of the blade 3 against the cylinder 2 and the bottom of the recess 11 of the blade carrier ledge 5, said distance being equal to the width of the blade.

In order to provide the engagement of the blade 3 against the cylinder 2 the illustrated embodiment contains as is clear from Fig. 2 a press ledge 13 extending along the whole length of the blade 3. This press ledge 13 is carried by angle arms 15 which are pivotable around a pivot 21 and each comprise an upwardly directed part 17 and a horizontal part 19. The pivot 21 is anchored in a pivot attachment 23 in turn connected to the guide member 7. Each angle arm 15 can be selectively actuated by an upward force affecting the horizontal part 19 of the angle arm 15. This force actuation is provided by a device positioned in a recess 31 in the horizontal part 19 of each angle arm 15. This device is briefly designed in the following manner.

As is clear from Fig. 3 pressure actuation is provided by a double-folded membrane 35 comprising a double-

folded annular section 39, a central section 40 surrounded by said annular section and cooperating with a fixed stop member 37 in the form of an upwardly directed cylinder arranged on the upper plate 43 on the carrier beam 41. Furthermore, the membrane includes a ring-shaped section 42 surrounding the annular section 39 and tightly connected to a surrounding ring element 44. Together with an opposite lid element 46 membrane 35 defines together with the ring element 44 a pressure chamber 33 which via an opening 48 in the lid element 46 can be pressurized to a desired pressure by means of a pressure medium. The pressurization of the pressure chamber 33 which can be provided by hydraulic or pneumatic means affects via the ring element 44 the corresponding angle arm 15 to press blade 3 via press ledge 13 against the cylinder 2. It is important to note that the pressure device just described provides an upward force on the horizontal part 19 of the angle arm 15 which is only determined by the pressure generated by the pressure medium irrespective of the position of the horizontal part 19 in relation to the fixed stop member 37. By using a double-folded membrane 35 every influence of the elasticity properties of the membrane material will thus be avoided and a movement of the horizontal part of angle arm 15 essentially free of friction will be provided.

As is further clear from Fig. 3 the blade holder device is provided with a counter pressure member 25 with associated spring 27, the pressure generated by the membrane device being counteracted to the desired degree. In this manner there is obtained a balanced engagement pressure of the blade via the pressure ledge 13 in view of the fact that the counterpressure by counterpressure member 25 can be controlled by presetting of the counterpressure member 25, for example by arranging member 25 with threads in the angle arm 15 thereby making same possible to preset. The devices just described are contained below a cover sheet 29 extending along the whole length

of the carrier beam 41.

As is clear from Fig. 1 the carrier beam 41 is carried via its shafts 81 by suspension arms 61 arranged at each end of the blade holder. Each suspension arm 61 is provided with two legs, one upwardly directed leg 63 and one horizontal leg 65. The upwardly directed leg 63 is pivotably connected by a pivot 69 to an upper beam 71 via a pivot attachment 67 attached to the beam 71. The second leg can via a first position adjustment device generally designated 76 be lifted or lowered for a purpose to be described below. The position adjustment device 76 comprises two jackscrews 77 with handle wheels 80 coupled in parallel, said screws being pivotably arranged in a pivot attachment 79 connected to the upper beam 71. The screw 75 of jack 77 is pivotably connected to the horizontal leg 65 of the suspension arm 61 via a pivot 73.

As is clear from Fig. 1 the angle of attack of the blade against cylinder 2 can be varied by means of the position adjustment device 76, and this without changing the contact line and the contact pressure against cylinder 2. This is provided by the fact that the center for the swing movement, i.e. the center of pivot 69, coincides with the contact point C between blade 3 and cylinder 2.

As is clear from Figs. 1 and 2 the embodiment of the blade holder according to the invention is provided with a swing device, whereby the blade 3 with the carrier beam 41 can be moved between an operating position (Fig. 1) and an inoperative position (Fig. 2) in order to enable some maintenance, for example exchange of blade. This swing device generally designated 85 comprises link arms 87, 89 arranged at each end of the carrier beam 41, said link arms at one end thereof being pivotably connected to each other via a pivot 91. The opposite end of one link arm 89 is pivotably connected to a lever 105 which is fixed to the pivot or shaft 81 of the carrier beam, whereas the other end of the other link arm 87 is pivotably

connected to the horizontal leg 65 of the suspension arm 61 via an extension 101 on said leg.

The swing device 85 further comprises a second position adjustment device generally designated 86. This
5 second position adjustment device 86 comprises a hydraulic or pneumatic cylinder 95 with piston (not shown) and piston bar 93 at the free end of which the mutually connected ends of the link arms 87,89 are pivotably attached via a pivot 91. The hydraulic or pneumatic cylinder 95 is
10 pivotably connected to the horizontal leg of the suspension arm 61 via a second extension 97.

While manoeuvring hydraulic or pneumatic cylinder 95 with withdrawal of piston bar 93 the blade holder can be adjusted to the position shown in Fig. 2, i.e. an inoperative position enabling for example exchange of blade.
15 By extension of the piston bar 93 the blade 3 can be returned to an operative position according to Fig. 1, and this position can be exactly determined by bringing the link arms 87,89 to a rectilinear position according to
20 Fig. 1. This position can be easily reached by the piston of cylinder 95 taking an end position where link arms 87,89 take the rectilinear position which is shown in Fig. 1.

The embodiment described provides for substantial
25 advantages which briefly are the following.

By means of the arrangement around the pressing ledge 13 the blade can over its entire length be brought to engagement against the cylinder 2 section-wise and individually to obtain an even engagement and creping or doctoring effect over the whole length of the blade. This
30 can be done with great accuracy by the use of the roll membrane 35 in combination with the counter member 25. Furthermore, by means of the adjustment device 45 the blade can be progressively lifted in pace with the wear
35 and with simultaneous control of the remaining width of the blade.

By means of the first position adjustment device 76

the attack angle of the blade 3 against the cylinder 2 can be varied without changing the point of engagement and the engagement pressure of the blade against the cylinder will be changed.

5 Finally, by means of the second position adjustment device 86 the blade together with the carrier beam 41 can in a simple manner be moved to the inoperative position shown in Fig. 2, whereby for example exchange of blade easily can be carried out.

10 The blade holder according to the present invention thus offers improved flexibility under operation, a more even creeping over the whole length of the blade, less waste of time in connection with maintenance, blade exchange etc., and simplified possibility of variation of
15 the attack angle of the blade.

 It should be observed that the present invention is not restricted to the embodiment described above and that its scope is limited only by the contents of the appended claims. The skilled artisan easily realizes how the device
20 can be modified in different ways within the framework of the inventive concept.

CLAIMS

1. Blade holder for creping of a web travelling on a rotating cylinder (2) or for doctoring the surface of the cylinder, comprising a blade (3) directed opposite to the travelling direction of the cylinder (2), a blade carrier (41) for the blade, further comprising a pressure ledge (13) extending along the whole length of the blade and arranged to exert a pressure at or adjacent to the upper longitudinal edge of the blade (3) via pivotable pressure arms (15) evenly distributed along the length of the ledge and arranged on the blade carrier (41) to bring said edge to engagement against the cylinder (2), characterized in that each pressure arm (15) is arranged to be individually actuated by a pressure means having a double folded membrane (35) for actuation of the pressure arm (15) by means of a pressure medium.

2. Blade holder according to claim 1, characterized in that each pressure arm (15) has associated therewith an individually adjustable counter pressure means (25).

3. Blade holder according to claim 1 or 2, characterized in that the membrane (35) is provided with a double folded annular member (39), a central section (40) surrounded by said member and cooperating with a stop member (37) fixed onto the blade carrier (41), and a ring-shaped section (42) surrounding the annular section (39) which is leak-tight connected to a surrounding ring element (44), said membrane (35) and an opposite lid element (46) together with the ring element (44) defining a pressure chamber (33) which, via an opening (48), can be pressurized to a desired pressure by means of a pressure medium, said pressure affecting the associated pressure arm via the ring element (44).

4. Blade holder according to any one of the preceding claims, characterized by a blade carrier ledge (5) provided with a groove or recess (11) at the upper part thereof extending along the whole length of the blade

carrier ledge (5) and having a depth short of the width of the blade (3) and widening outwardly so that the blade (3) with its lower longitudinal edge contained in the groove or recess in the absence of exterior influence can tilt and move freely towards or away from the cylinder (2).

5
10
15
20
25
30
35
40
45
50
55
60
65
70
75
80
85
90
95
100
105
110
115
120
125
130
135
140
145
150
155
160
165
170
175
180
185
190
195
200
205
210
215
220
225
230
235
240
245
250
255
260
265
270
275
280
285
290
295
300
305
310
315
320
325
330
335
340
345
350
355
360
365
370
375
380
385
390
395
400
405
410
415
420
425
430
435
440
445
450
455
460
465
470
475
480
485
490
495
500
505
510
515
520
525
530
535
540
545
550
555
560
565
570
575
580
585
590
595
600
605
610
615
620
625
630
635
640
645
650
655
660
665
670
675
680
685
690
695
700
705
710
715
720
725
730
735
740
745
750
755
760
765
770
775
780
785
790
795
800
805
810
815
820
825
830
835
840
845
850
855
860
865
870
875
880
885
890
895
900
905
910
915
920
925
930
935
940
945
950
955
960
965
970
975
980
985
990
995

5. Blade holder according to claim 4, characterized in that the blade carrier comprises a carrier beam (41) supporting guide ledges (7,9) extending along the whole length of the blade (3) and between which the blade (3) can be displaced upwardly towards the cylinder synchronously with the wear of the blade (3).

6. Blade holder according to claim 5, characterized in that the carrier beam (41) carries jackscrews (47) coupled in parallel, whereby the blade carrier ledge (5) is continuously displacable towards the cylinder (2) in accordance with the wear of the blade (3).

7. Blade holder according to claim 6, characterized in that each jackscrew (47) is provided with an adjustment nob (55) provided with a scale (56) which is graduated in such a manner as to show the distance between the point (C) of engagement of the blade (3) against the cylinder (2) and the bottom of the recess (11) of the blade carrier ledge (5), equal to the width of the blade (3).

8. Blade holder according to any one of the preceding claims, characterized in that the press ledge (13) is arranged to exert its pressure so near to the longitudinal edge of the blade (3) that no essential bending of the blade takes place.

9. Blade holder according to any one of the preceding claims, comprising suspension arms (61) for the carrier beam (41) arranged at each end of the blade holder, each provided with two legs (63,65) and attached to the carrier beam (41) at the ends thereof, one leg (63) being pivotably connected to a fixed element (71), whereas the other leg (65) via a first position adjustment means (75,77) can be raised or lowered for controlling the ang-

le of the blade (3) in relation to a tangent to the surface of the cylinder (2), and the pivot center (C) being positioned in the point of attachment between the blade (3) and the cylinder (2).

5 10. Blade holder according to any one of the preceding claims, comprising a rocking means, whereby the blade (3) with the carrier beam (41) can be moved between an operating position and an inoperative position so as to enable maintenance, for example change of blade, said
10 rocking means (85) comprising link arms (87,89) arranged at each end of the carrier beam (41) which at one end thereof are pivotably connected (91) and one link arm (89) at the opposite end thereof is pivotably connected to a pivot arm (105) which is fixed to the rotary shaft
15 (81) of the carrier beam, and the opposite end of the other link arm being pivotably connected to the suspension arm (61), a second position adjustment means (93,95) being arranged which can move the pivotable point (91) of attachment of the link arms (87,89) to a rectilinear operative position or an angular inoperative position.
20

 11. Blade holder according to claim 10, wherein the second position adjustment means (93,95) is pivotably connected to the suspension arm (61) and is constituted by a hydraulic or pneumatic cylinder (95) having a piston
25 and a piston bar (93) at the free end of which said one end of the link arms (87,89) is pivotably connected.

 12. Blade holder according to claim 4, wherein the position adjustment means (75,77) is connected to the fixed element (71).

30 13. Blade holder according to claim 10 or 11, wherein the opposite end of the second link arm (87) is attached to a first extension (101) on the second leg (65).

 14. Blade holder according to claim 11 or 12, wherein the cylinder (95) is pivotably connected to a second
35 extension (97) on the second leg (65).

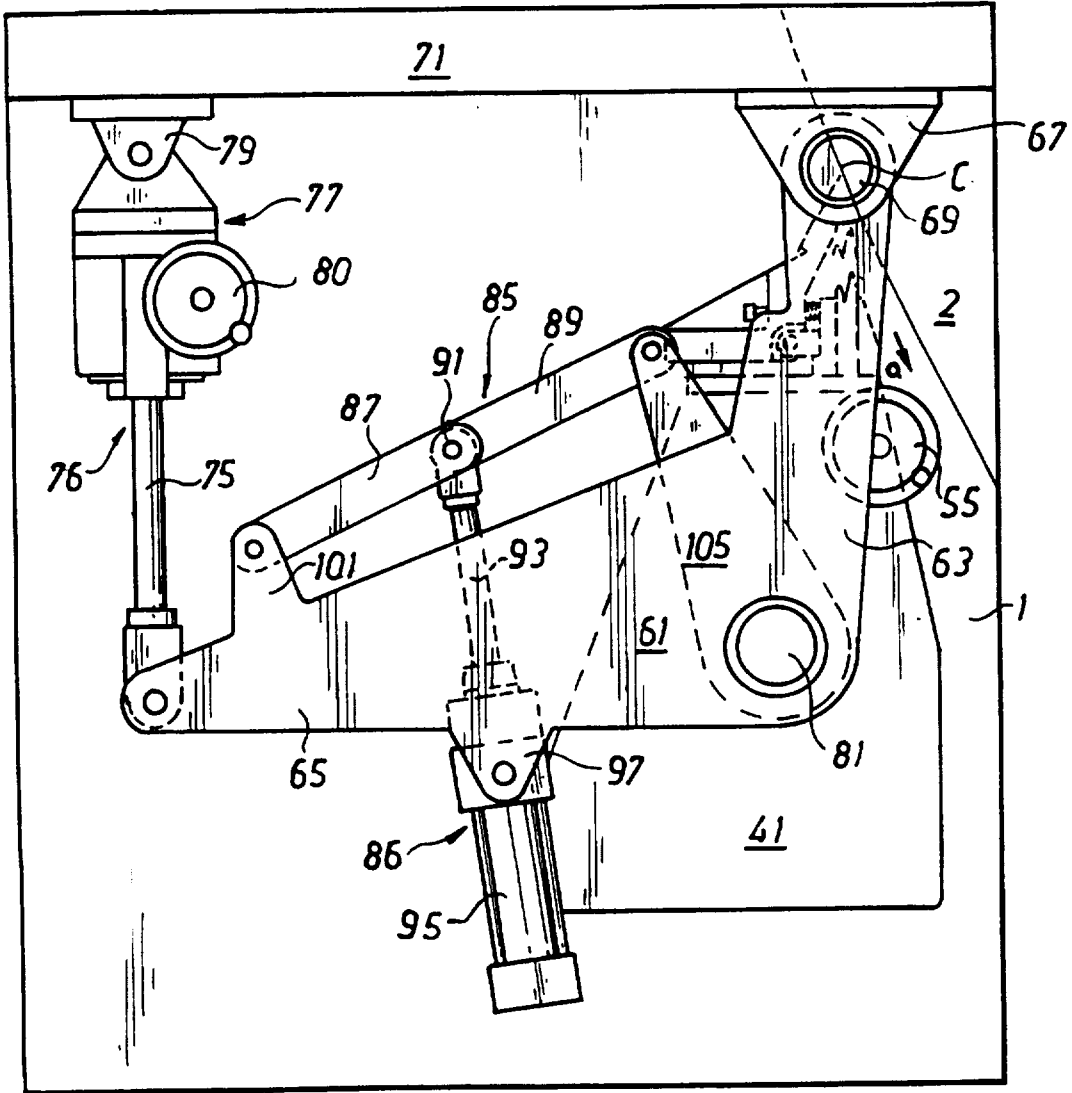


Fig. 1

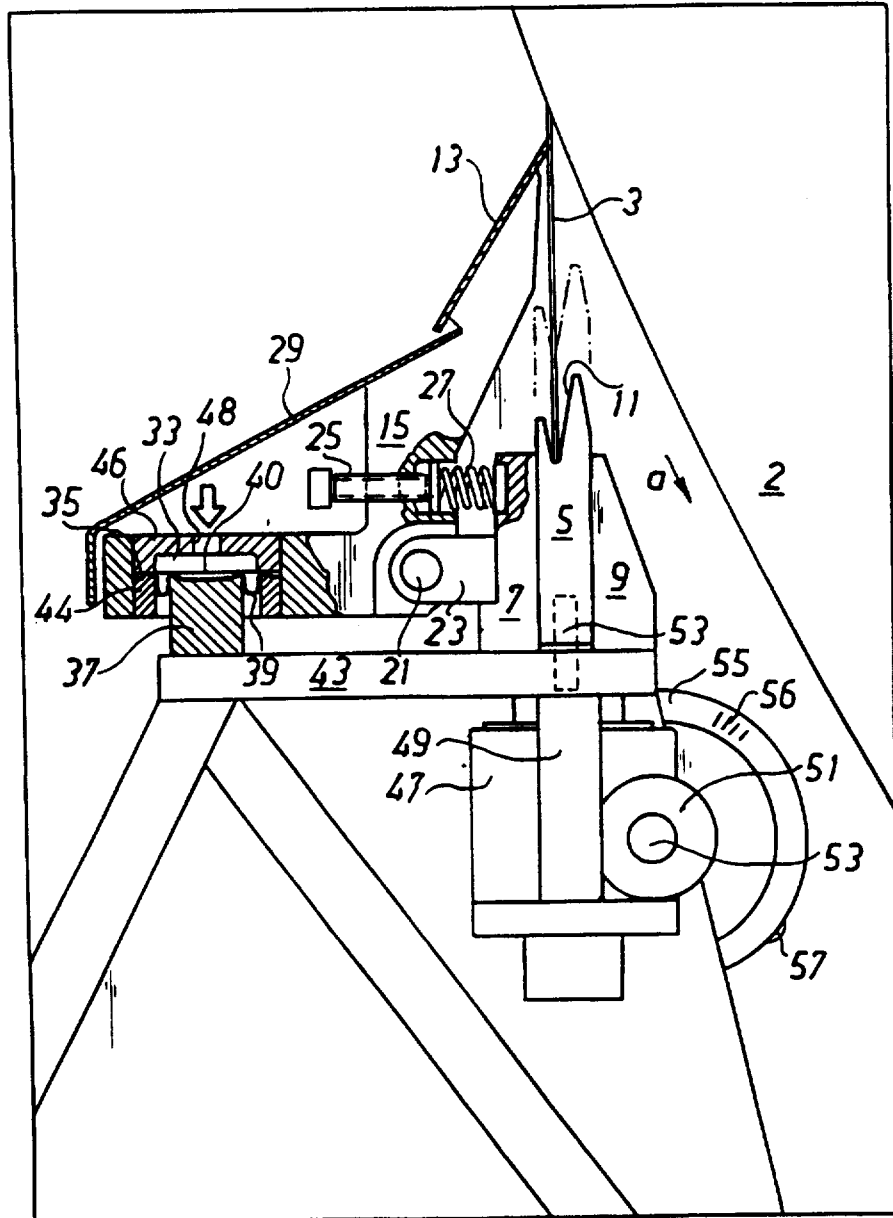


Fig. 3

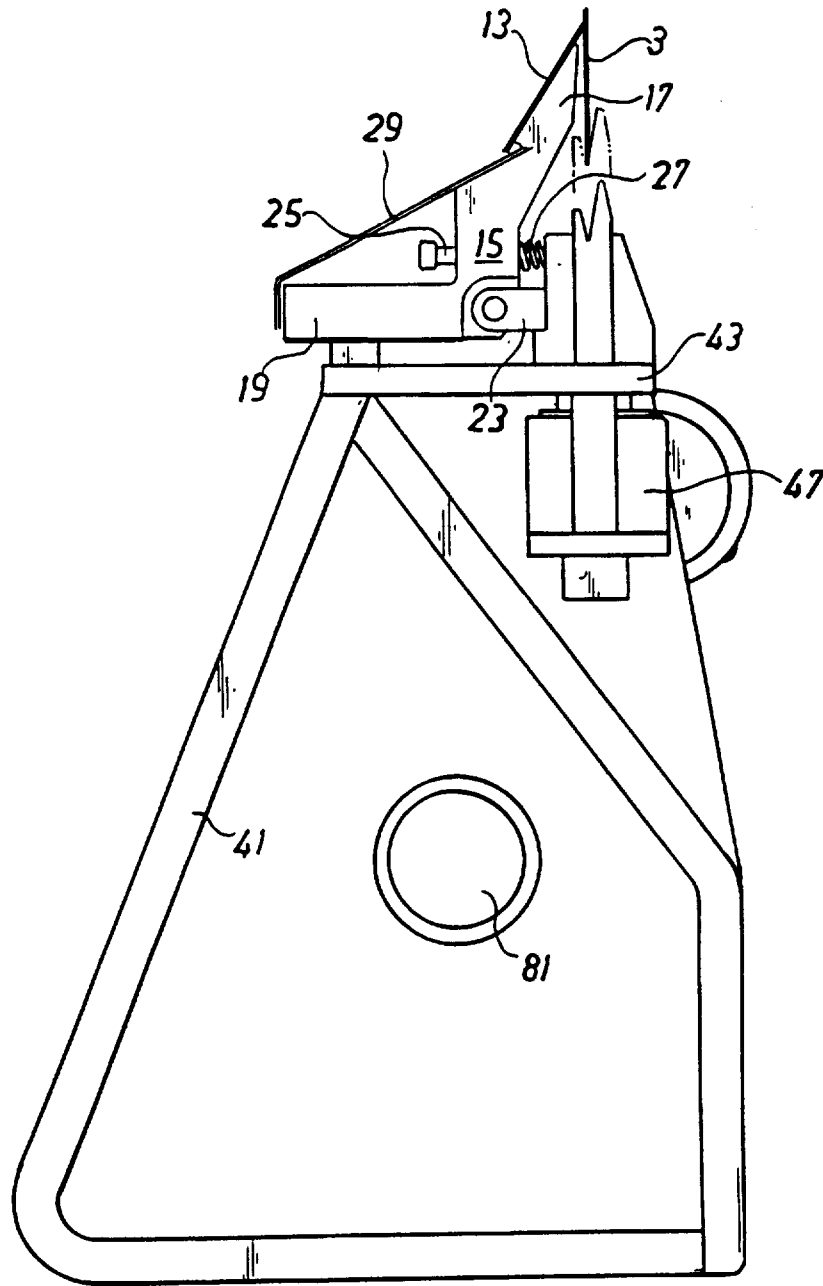


Fig. 4

INTERNATIONAL SEARCH REPORT

International application No.

PCT/SE 96/01630

A. CLASSIFICATION OF SUBJECT MATTER

IPC6: D21G 3/00

According to International Patent Classification (IPC) or to both national classification and IPC

B. FIELDS SEARCHED

Minimum documentation searched (classification system followed by classification symbols)

IPC6: D21G

Documentation searched other than minimum documentation to the extent that such documents are included in the fields searched

SE,DK,FI,NO classes as above

Electronic data base consulted during the international search (name of data base and, where practicable, search terms used)

C. DOCUMENTS CONSIDERED TO BE RELEVANT

Category*	Citation of document, with indication, where appropriate, of the relevant passages	Relevant to claim No.
A	US 5230775 A (R.F. GOODNOW ET AL), 27 July 1993 (27.07.93) -----	1

Further documents are listed in the continuation of Box C.

See patent family annex.

* Special categories of cited documents:

"A" document defining the general state of the art which is not considered to be of particular relevance

"E" earlier document but published on or after the international filing date

"L" document which may throw doubts on priority claim(s) or which is cited to establish the publication date of another citation or other special reason (as specified)

"O" document referring to an oral disclosure, use, exhibition or other means

"P" document published prior to the international filing date but later than the priority date claimed

"T" later document published after the international filing date or priority date and not in conflict with the application but cited to understand the principle or theory underlying the invention

"X" document of particular relevance: the claimed invention cannot be considered novel or cannot be considered to involve an inventive step when the document is taken alone

"Y" document of particular relevance: the claimed invention cannot be considered to involve an inventive step when the document is combined with one or more other such documents, such combination being obvious to a person skilled in the art

"&" document member of the same patent family

Date of the actual completion of the international search

8 April 1997

Date of mailing of the international search report

22.04.97

Name and mailing address of the ISA/
Swedish Patent Office
Box 5055, S-102 42 STOCKHOLM
Facsimile No. +46 8 666 02 86

Authorized officer

Olov Jensen
Telephone No. +46 8 782 25 00

INTERNATIONAL SEARCH REPORT

Information on patent family members

International application No.

PCT/SE 96/01630

Patent document cited in search report	Publication date	Patent family member(s)	Publication date
US 5230775 A	27/07/93	US 5066364 A	19/11/91
		CA 2044873 C	04/07/95
		EP 0515747 A	02/12/92
		FI 97402 B	30/08/96
		JP 6154693 A	03/06/94
