



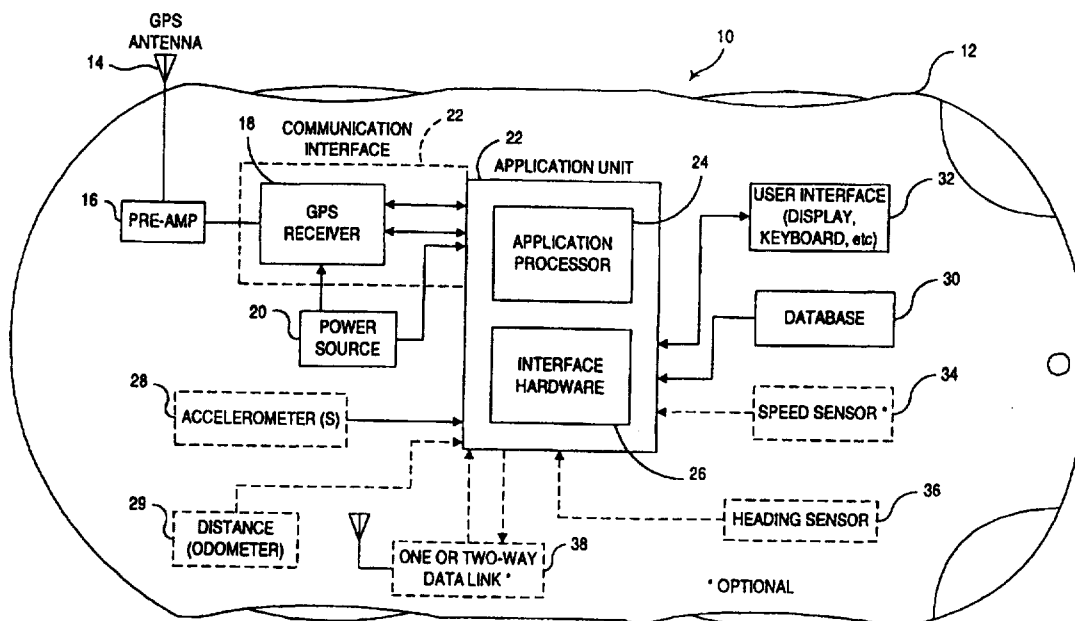
INTERNATIONAL APPLICATION PUBLISHED UNDER THE PATENT COOPERATION TREATY (PCT)

(51) International Patent Classification <sup>6</sup> : <b>G01C 21/20</b>	<b>A1</b>	(11) International Publication Number: <b>WO 97/24584</b>
		(43) International Publication Date: 10 July 1997 (10.07.97)

(21) International Application Number: PCT/US96/20854  
 (22) International Filing Date: 27 December 1996 (27.12.96)  
 (30) Priority Data:  
 08/579,903 28 December 1995 (28.12.95) US  
 (71) Applicant (for all designated States except US): ROCKWELL INTERNATIONAL CORPORATION [US/US]; 2135 West Maple Road, Troy, MI 48084 (US).  
 (72) Inventors; and  
 (75) Inventors/Applicants (for US only): CROYLE, Steven, R. [US/US]; 27201 Gardenway Road, Franklin, MI 48025 (US). SPENCER, Larry, E., II [US/US]; 525 Joslyn Road, Lake Orion, MI 48362 (US).  
 (74) Agent: SLENZAK, Laura, M.; Rockwell International Corporation, 2135 West Maple Road, Troy, MI 48084 (US).

(81) Designated States: JP, US, European patent (AT, BE, CH, DE, DK, ES, FI, FR, GB, GR, IE, IT, LU, MC, NL, PT, SE).  
**Published**  
*With a revised version of the international search report. Before the expiration of the time limit for amending the claims and to be republished in the event of the receipt of amendments.*  
 (88) Date of publication of the revised version of the international search report: 9 October 1997 (09.10.97)

(54) Title: A ZERO MOTION DETECTION SYSTEM FOR IMPROVED VEHICLE NAVIGATION SYSTEM



(57) Abstract

The improved vehicle navigation system can take advantage of the recent availability of low cost micro-machined and piezoelectric sensors, and partially overcomes the low dynamics and line of sight limitations of GPS receivers without resorting to the hard wired approach described above. The low cost sensors introduce system level errors due to their inherent DC offset and drift rates. The improved vehicle navigation system minimizes both the sensor induced errors and GPS low dynamic limitations by using a zero motion detection system as a self contained (within the navigation system), vehicle independent device.

\* (Referred to in PCT Gazette No. 43/1997, Section II)

**FOR THE PURPOSES OF INFORMATION ONLY**

Codes used to identify States party to the PCT on the front pages of pamphlets publishing international applications under the PCT.

<b>AM</b>	Armenia	<b>GB</b>	United Kingdom	<b>MW</b>	Malawi
<b>AT</b>	Austria	<b>GE</b>	Georgia	<b>MX</b>	Mexico
<b>AU</b>	Australia	<b>GN</b>	Guinea	<b>NE</b>	Niger
<b>BB</b>	Barbados	<b>GR</b>	Greece	<b>NL</b>	Netherlands
<b>BE</b>	Belgium	<b>HU</b>	Hungary	<b>NO</b>	Norway
<b>BF</b>	Burkina Faso	<b>IE</b>	Ireland	<b>NZ</b>	New Zealand
<b>BG</b>	Bulgaria	<b>IT</b>	Italy	<b>PL</b>	Poland
<b>BJ</b>	Benin	<b>JP</b>	Japan	<b>PT</b>	Portugal
<b>BR</b>	Brazil	<b>KE</b>	Kenya	<b>RO</b>	Romania
<b>BY</b>	Belarus	<b>KG</b>	Kyrgystan	<b>RU</b>	Russian Federation
<b>CA</b>	Canada	<b>KP</b>	Democratic People's Republic of Korea	<b>SD</b>	Sudan
<b>CF</b>	Central African Republic	<b>KR</b>	Republic of Korea	<b>SE</b>	Sweden
<b>CG</b>	Congo	<b>KZ</b>	Kazakhstan	<b>SG</b>	Singapore
<b>CH</b>	Switzerland	<b>LI</b>	Liechtenstein	<b>SI</b>	Slovenia
<b>CI</b>	Côte d'Ivoire	<b>LK</b>	Sri Lanka	<b>SK</b>	Slovakia
<b>CM</b>	Cameroon	<b>LR</b>	Liberia	<b>SN</b>	Senegal
<b>CN</b>	China	<b>LT</b>	Lithuania	<b>SZ</b>	Swaziland
<b>CS</b>	Czechoslovakia	<b>LU</b>	Luxembourg	<b>TD</b>	Chad
<b>CZ</b>	Czech Republic	<b>LV</b>	Latvia	<b>TG</b>	Togo
<b>DE</b>	Germany	<b>MC</b>	Monaco	<b>TJ</b>	Tajikistan
<b>DK</b>	Denmark	<b>MD</b>	Republic of Moldova	<b>TT</b>	Trinidad and Tobago
<b>EE</b>	Estonia	<b>MG</b>	Madagascar	<b>UA</b>	Ukraine
<b>ES</b>	Spain	<b>ML</b>	Mali	<b>UG</b>	Uganda
<b>FI</b>	Finland	<b>MN</b>	Mongolia	<b>US</b>	United States of America
<b>FR</b>	France	<b>MR</b>	Mauritania	<b>UZ</b>	Uzbekistan
<b>GA</b>	Gabon			<b>VN</b>	Viet Nam

**A. CLASSIFICATION OF SUBJECT MATTER**  
IPC 6 G01C21/20

According to International Patent Classification (IPC) or to both national classification and IPC

**B. FIELDS SEARCHED**

Minimum documentation searched (classification system followed by classification symbols)  
IPC 6 G01C

Documentation searched other than minimum documentation to the extent that such documents are included in the fields searched

Electronic data base consulted during the international search (name of data base and, where practical, search terms used)

**C. DOCUMENTS CONSIDERED TO BE RELEVANT**

Category *	Citation of document, with indication, where appropriate, of the relevant passages	Relevant to claim No.
X	US 5 331 563 A (MASUMOTO YUTAKA ET AL) 19 July 1994  see abstract see column 3, line 50 - column 4, line 35 ---	1,3-5,7, 10,11, 13,14,16
X	EP 0 488 594 A (SUMITOMO ELECTRIC INDUSTRIES) 3 June 1992  see column 3, line 10 - column 4, line 42 ---	1,4,5,7, 10,13, 14,16
A	US 4 912 645 A (KAKIHARA MASAKI ET AL) 27 March 1990 see column 2, line 5 - line 26 ---	2,3,11, 12
	-/--	

Further documents are listed in the continuation of box C.

Patent family members are listed in annex.

\* Special categories of cited documents :

- "A" document defining the general state of the art which is not considered to be of particular relevance
- "E" earlier document but published on or after the international filing date
- "L" document which may throw doubts on priority claim(s) or which is cited to establish the publication date of another citation or other special reason (as specified)
- "O" document referring to an oral disclosure, use, exhibition or other means
- "P" document published prior to the international filing date but later than the priority date claimed

- "T" later document published after the international filing date or priority date and not in conflict with the application but cited to understand the principle or theory underlying the invention
- "X" document of particular relevance; the claimed invention cannot be considered novel or cannot be considered to involve an inventive step when the document is taken alone
- "Y" document of particular relevance; the claimed invention cannot be considered to involve an inventive step when the document is combined with one or more other such documents, such combination being obvious to a person skilled in the art.
- "&" document member of the same patent family

Date of the actual completion of the international search

12 August 1997

Date of mailing of the international search report

14. 08. 97

Name and mailing address of the ISA

European Patent Office, P.B. 5818 Patentlaan 2  
NL - 2280 HV Rijswijk  
Tel. (+ 31-70) 340-2040, Tx. 31 651 epo nl,  
Fax (+ 31-70) 340-3016

Authorized officer

Hunt, J

# INTERNATIONAL SEARCH REPORT

Inter.   nal Application No  
PCT/US 96/20854

C.(Continuation) DOCUMENTS CONSIDERED TO BE RELEVANT		
Category *	Citation of document, with indication, where appropriate, of the relevant passages	Relevant to claim No.
A	US 5 166 882 A (STAMBAUGH JOHN S) 24 November 1992 see column 1, line 38 - line 50 see column 2, line 12 - line 62 -----	9,18

# INTERNATIONAL SEARCH REPORT

Information on patent family members

International Application No

PCT/US 96/20854

Patent document cited in search report	Publication date	Patent family member(s)	Publication date
US 5331563 A	19-07-94	JP 5157572 A	22-06-93
EP 0488594 A	03-06-92	JP 4208808 A	30-07-92
		DE 69107586 D	30-03-95
		DE 69107586 T	18-01-96
		US 5296855 A	22-03-94
US 4912645 A	27-03-90	JP 63238479 A	04-10-88
		JP 63238480 A	04-10-88
US 5166882 A	24-11-92	NONE	