



INTERNATIONAL APPLICATION PUBLISHED UNDER THE PATENT COOPERATION TREATY (PCT)

(51) International Patent Classification ⁶ : H01J 31/12, 29/02	A1	(11) International Publication Number: WO 97/19460 (43) International Publication Date: 29 May 1997 (29.05.97)
(21) International Application Number: PCT/US96/18773 (22) International Filing Date: 20 November 1996 (20.11.96) (30) Priority Data: 08/560,166 20 November 1995 (20.11.95) US (71) Applicant: CANDESCENT TECHNOLOGIES CORPORATION [US/US]; 6580 Via del Oro, San Jose, CA 95119 (US). (72) Inventors: SPINDT, Christopher, J.; 115 Hillside, Menlo Park, CA 94025 (US). FIELD, John, E.; 2165 Carmelita, Hillsborough, CA 94010 (US). HAVEN, Duane, A.; 19968 Portal Plaza, Cupertino, CA 95014 (US). (74) Agent: DAVIS, Paul; Wilson, Sonsini, Goodrich & Rosati, 650 Page Mill Road, Palo Alto, CA 94304-1050 (US).	(81) Designated States: JP, European patent (AT, BE, CH, DE, DK, ES, FI, FR, GB, GR, IE, IT, LU, MC, NL, PT, SE). Published <i>With international search report. Before the expiration of the time limit for amending the claims and to be republished in the event of the receipt of amendments.</i>	
(54) Title: FLAT PANEL DISPLAY WITH REDUCED ELECTRON SCATTERING EFFECTS		
(57) Abstract A flat panel display is disclosed which includes a faceplate with a faceplate interior side, and a backplate including a backplate interior side in an opposing relationship to the faceplate interior side. Side walls are positioned between the faceplate and the backplate. The side walls, faceplate and backplate form an enclosed sealed envelope. A plurality of phosphor subpixels are positioned at the faceplate interior side. A plurality of field emitters are positioned at the backplate interior side. The field emitters emit electrons which strike corresponding phosphor subpixels. A plurality of scattering shields surround each phosphor subpixel and define a subpixel volume. The scattering shields reduce the number of scattered electrons exiting from their corresponding subpixel volume. This reduces the number of scattered electrons from charging internal insulating surfaces in the envelope, as well as striking the non-corresponding phosphor subpixels.		

FOR THE PURPOSES OF INFORMATION ONLY

Codes used to identify States party to the PCT on the front pages of pamphlets publishing international applications under the PCT.

AM	Armenia	GB	United Kingdom	MW	Malawi
AT	Austria	GE	Georgia	MX	Mexico
AU	Australia	GN	Guinea	NE	Niger
BB	Barbados	GR	Greece	NL	Netherlands
BE	Belgium	HU	Hungary	NO	Norway
BF	Burkina Faso	IE	Ireland	NZ	New Zealand
BG	Bulgaria	IT	Italy	PL	Poland
BJ	Benin	JP	Japan	PT	Portugal
BR	Brazil	KE	Kenya	RO	Romania
BY	Belarus	KG	Kyrgystan	RU	Russian Federation
CA	Canada	KP	Democratic People's Republic of Korea	SD	Sudan
CF	Central African Republic	KR	Republic of Korea	SE	Sweden
CG	Congo	KZ	Kazakhstan	SG	Singapore
CH	Switzerland	LI	Liechtenstein	SI	Slovenia
CI	Côte d'Ivoire	LK	Sri Lanka	SK	Slovakia
CM	Cameroon	LR	Liberia	SN	Senegal
CN	China	LT	Lithuania	SZ	Swaziland
CS	Czechoslovakia	LU	Luxembourg	TD	Chad
CZ	Czech Republic	LV	Latvia	TG	Togo
DE	Germany	MC	Monaco	TJ	Tajikistan
DK	Denmark	MD	Republic of Moldova	TT	Trinidad and Tobago
EE	Estonia	MG	Madagascar	UA	Ukraine
ES	Spain	ML	Mali	UG	Uganda
FI	Finland	MN	Mongolia	US	United States of America
FR	France	MR	Mauritania	UZ	Uzbekistan
GA	Gabon			VN	Viet Nam

FLAT PANEL DISPLAY WITH REDUCED ELECTRON SCATTERING EFFECTS

5

BACKGROUND

Field of the Invention

This invention relates to flat panel displays, more particularly to flat panel displays with scattering shields surrounding phosphor subpixels defining subpixel volumes which substantially reduce the number of scattered electrons that exit
10 from their corresponding subpixel volume and (i) charge display internal structures that have insulating surfaces, (ii) strike non-corresponding phosphor subpixels or (iii) reenter other subpixel volumes.

Description of the Related Art

15 Field emission devices include a faceplate, a backplate and connecting walls around the periphery of the faceplate and backplate forming a sealed vacuum envelope. Generally in field emission devices the envelope is held at vacuum pressure, which in the case of CRT displays is about 1×10^{-7} torr or less. The interior surface of the faceplate is coated with light emissive elements, such
20 as phosphor or phosphor patterns, which define an "active region" of the display. Cathodes (field emitters) located adjacent to the backplate, are excited to release electrons that are accelerated toward the phosphor on the faceplate, striking the phosphor, and causing the phosphor to emit light seen by the viewer at the exterior of the faceplate. Emitted electrons from each field emitter are intended
25 to strike only a certain targeted phosphor subpixel. There is generally a one-to-one correspondence between each group of emitters and a phosphor subpixel or a small number of phosphor subpixels for each group of emitters.

Flat panel displays are used in applications where the form-factor of a flat display is required. These applications are typically where there are weight
30 constraints and the space available for installation is limited, such as in aircraft or portable computers.

A certain level of color purity and contrast is needed in CRT displays. Contrast is the comparative difference between dark and bright areas. The

higher the contrast, the better. The parameters of resolution, color-purity and contrast in CRT displays depend on the precise communication of selected electron emitters with corresponding phosphor pixels.

5 High picture brightness, as measured in nits, requires either high power consumption or high phosphor efficiency.

High power consumption in many applications is not acceptable. Efficiency for many phosphors increases as the operating anode voltage increases; the required operating brightness can be achieved with lower power consumption at high voltage. To satisfactorily operate at high anode voltages, 10 e.g., 4kV or higher, the backplate containing the emitter array must be spatially separated from the faceplate, containing the phosphor pixels, by a distance sufficient to prevent unwanted electrical events between the two. This distance is typically greater than 0.5 mm.

Constrained by faceplate and backplate glass area and thickness, the 15 vacuum envelope is unable to withstand 1 atmosphere or greater external pressure without inclusion of internal supports. If the internal supports are not included then the faceplate and backplate can collapse. In rectangular displays with greater than approximately a 1 inch diagonal, the faceplate and backplate are susceptible to this type of mechanical failure due to their high aspect ratio, 20 which is defined as the larger dimension of the display divided by the thickness of the faceplate or backplate. The use of internal supports in the interior of the field emission device substantially eliminates this mechanical failure.

The faceplates and backplates for a desired flat, light portable display are typically about 1 mm thick. Internal supports, providing support in the interior 25 of the display, may include an edge metallization layer to form an electrical connection between the internal supports and the backplate. However, charge can build up on the internal supports from sources including electrons back-scattered off of the faceplate. See WO patent application number 94/18694, filed February 1, 1994; assigned to the same assignee. This application is 30 incorporated herein by reference.

As previously mentioned, there is usually a one-to-one correspondence between each group of field emitters and a phosphor subpixel. High energy

electrons from the field emitters may become back scattered from their intended phosphor subpixel and strike another phosphor subpixel, which may be the wrong color. This reduces color purity and contrast. Additionally, these back scattered electrons can strike internal supports causing them to build up charge.

5 Back scattered electrons pose relatively insignificant problems in conventional CRT's or low voltage field emission displays. With conventional CRT's the phosphor is in a field free region. Scattered electrons are collected in the funnel, as illustrated in Figure 1.

10 Lower voltage field emission displays, typically less than 1kV, are not significantly affected by back scattered electrons.

 In one low voltage display, all of the electrons are confined to one pixel by switching the neighboring pixels off, as illustrated in Figure 2.

 Higher voltage displays have been carbon coated to attenuate back scattering. However, this method gives less than a 2x improvement in contrast.
15 J.J. van Oekel, "Improving the Contrast of CRTs under Low Ambient Illumination with a Graphite Coating", SID International Symposium, Digest of Technical Papers, 1st Ed., pp. 427-43 (May, 1995).

 It would be desirable to provide a high voltage display with scattered electrons that has improved contrast and color purity. It would be further
20 desirable in a high voltage display to reduce the number of scattered electrons that strike non-corresponding phosphor subpixels, or internal insulating and resistive surfaces (e.g., surfaces of internal supports). It would also be desirable to provide, in a high voltage display, a plurality of scattering shields, defining a subpixel volume, to reduce electron escape.

25

SUMMARY

 Accordingly, an object of the invention is to provide a flat panel display with improved contrast and color purity.

 Another object of the invention is to provide a high voltage flat panel
30 display with a reduction of back scattered electrons that strike the wrong phosphor subpixel.

A further object of the invention is to provide a high voltage flat panel display with a reduction of back scattered electrons that charge up internal insulating or resistive structures.

5 Yet another object of the invention is to provide a flat panel display with a faceplate interior side that includes a plurality of scattering shields surrounding each phosphor subpixel and defining a subpixel volume.

Another object of the invention is to provide a flat panel display with scattering shields surrounding each phosphor subpixel, defining a subpixel volume. Scattered electrons are confined to the subpixel volume.

10 These and other objects of the invention are attained in a flat panel display which includes a faceplate with a faceplate interior side, and a backplate with a backplate interior side that is in an opposing relationship to the faceplate interior side. Side walls, positioned between the faceplate and the backplate, form an enclosed sealed envelope of the display. A plurality of phosphor subpixels are positioned at the faceplate interior side. A plurality of field emitters emit electrons which are accelerated to a corresponding phosphor subpixel. A plurality of scattering shields surround each phosphor subpixel. The scattering shields define a subpixel volume. The scattering shields reduce the number of scattered electrons able to escape from the subpixel volume.

15 20 The height of the scattering shields surrounding a phosphor subpixel is sufficient to reduce the number of scattered electrons exiting their corresponding subpixel volume and charging internal insulating surfaces in the envelope. Further, the height of the scattering shields is sufficient to reduce the number of scattered electrons from exiting the corresponding subpixel volumes and striking a non-corresponding subpixel.

The height of the scattering shields can be about 20 to 100 μm above phosphor, or above a top surface of an Al layer overlying the phosphor. Further, the height of the scattering shields can be about 20 to 200 μm above the phosphor.

25 30 The scattering shields can define a display internal structure that aligns field emitters to corresponding phosphor subpixels. One or more internal supports may be included in the envelope to support the backplate and the

faceplate against forces acting in a direction toward the envelope. The scattering shields may be made of a photo patternable material including but not limited to polyimide. Further, the scattering shields may be at least partially formed of a black matrix material.

5 Inclusion of the scattering shields provides an improvement in contrast and color purity and reduces charging. The scattering shields substantially trap scattered electrons in their corresponding subpixel volumes.

DESCRIPTION OF THE DRAWINGS

10 Figure 1 is a diagram of a conventional CRT illustrating the collection of scattered electrons in the CRT funnel.

 Figure 2 is a diagram of a low voltage field emission display which confines all of the electrons to one phosphor subpixel by switching neighboring phosphor subpixels off.

15 Figure 3 is a perspective cutaway view of a flat panel display including a field emission cathode according to one embodiment of the invention.

 Figure 4 is a cross-sectional view of part of a flat panel display according to an embodiment of the invention including field emitters, phosphor subpixels, and scattering shields.

20 Figure 5 is a schematic diagram of back scattered electrons in a display without scattering shields.

 Figure 6 is a schematic diagram illustrating the effect of scattering shields and back scattered electrons.

25 Figure 7 is a graph of the fraction of current striking another phosphor subpixel verses the height of scattering shields for a typical display operated at 4 kV.

DETAILED DESCRIPTION OF THE PREFERRED EMBODIMENTS

30 In the following description, embodiments of the invention are described with respect to a field emission device, more particularly, to a flat cathode ray tube display.

Herein, a flat panel display is a display in which a faceplate and backplate are substantially parallel, and the thickness of the display is small compared to the thickness of a conventional deflected-beam CRT display. The thickness of the display is measured in a direction substantially perpendicular to the faceplate and backplate. Often the thickness of a flat panel display is substantially less than about 2.0 inches and in one embodiment it is about 3.25 mm. For purposes of this disclosure, a high voltage display has electrons from field emitters accelerated to energies of from 1keV to 10keV.

The present invention is a flat panel display with a plurality of phosphor subpixels, and a plurality of oppositely positioned field emitters. The field emitters emit electrons which strike corresponding phosphor subpixels. A plurality of scattering shields surround each phosphor subpixel and define a subpixel volume. The scattering shields reduce the number of scattered electrons exiting from their corresponding subpixel volume. This reduces the number of scattered electrons from charging internal insulating surfaces in the envelope, as well as the number of electrons striking non-corresponding phosphor subpixels. This increases contrast, color purity and power efficiency in the high voltage display.

Referring to Figure 3, a flat panel display 10 includes a faceplate 12, backplate 14 and side walls 16, which together form a sealed envelope 18 held at vacuum pressure, e.g., approximately 1×10^{-7} torr or less. One or more internal supports 20 support faceplate 12 against backplate 14. Internal supports 20 can include electrodes positioned along their longitudinal length. For purposes of this disclosure, internal supports 20 include walls, posts and wall segments.

A plurality of field emitters 22 are formed on a surface of backplate 14 within envelope 18. For purposes of this disclosure, field emitters 22 can include a plurality of field emitters or a single field emitter. Field emitters 22 can be filaments, cones and the like. Each field emitter 22 extends through an aperture in an insulating layer to contact an underlying emitter line. The top of each field emitter 22 is exposed through an opening in an overlying gate line. Row and column electrodes control the emission of electrons from field emitters 22. The electrons are accelerated toward a phosphor subpixel coated interior surface of

faceplate 12 (the phosphor coated area constituting the "active region" of display 10). Integrated circuit chips 24 include driving circuitry for controlling the voltage of the row and column electrodes so that the flow of electrons to faceplate 12 is regulated. Electrically conductive traces are used to electrically connect circuitry on chips 24 to the row and column electrodes.

Referring now to Figure 4, faceplate 12 and backplate 14 consist of glass that is about 1.1 mm thick. A hermetic seal 26 of solder glass, including but not limited to Owens-Illinois CV 120, attaches side walls 16 to faceplate 12 and backplate 14 to create sealed envelope 18. The entire display 10 must withstand a 450 degree C sealing temperature. Within envelope 18 the pressure is typically 10^{-7} torr or less. This high level of vacuum is achieved by evacuating envelope 18 through pump port 28 at high temperature to cause absorbed gases to be removed from all internal surfaces. Envelope 18 is then sealed by a pump port patch 30.

Faceplate 12 includes a plurality of phosphor subpixels 32. Electrons defining an electron beam 34 are accelerated from a plurality of field emitters with energies in the range of 1kV to 10kV. Electron beam 34 is focused by focus grid 36 to strike a corresponding phosphor subpixel 32. There is a one-to-one correspondence between a set of field emitters 22, positioned within a section of focus grid 36, to a phosphor subpixel 32. Each phosphor subpixel 32 is surrounded by a plurality of scattering shields 38 which define a subpixel volume 40.

Figure 5 illustrates the results with a black matrix but without scattering shields 38. Electrons in electron beam 34 are accelerated from a plurality of field emitters 22 to strike their corresponding phosphor subpixels 32. Some of these electrons are back scattered from a phosphor subpixel or an adjacent area to an internal support 20 as represented by ray 42. Other electrons are back scattered and strike non-corresponding phosphor subpixels, as shown with ray 44. Back scattered electrons can strike other insulating elements in envelope 18. Back scattering electrons onto resistive surfaces, such as internal supports 20, affects the ratio of brightness to power of display 10 by limiting the amount of current that can be used. Further, the back scattering onto internal supports 20 limits the

height of internal supports 20 and thus the high voltage. Back scattering of electrons to non-corresponding phosphor subpixels reduces contrast and color purity of display 10. A black matrix typically has a low aspect ratio.

5 Additionally, it is difficult to make a structure with a sufficient aspect ratio to prevent electrons escaping from their subpixel volume 40.

In Figure 6 the effects of scattering shields 38 are illustrated. Back scattered electrons strike scattering shields 38, represented by rays 46 and 48, and do not leave their scattering shield volumes 40. They remain essentially captured in their scattering shield volumes 40. Alternatively, if back scattered
10 electrons escape from their scattering shield volume 40 scattering shields 38 capture the back scattered electrons as in the case of ray 50, preventing them from striking non-corresponding phosphor subpixels.

The height of scattering shields 38 is sufficient to reduce the number of scattered electrons which escape from a subpixel volume 40. Referring now to
15 Figure 7, the fraction of current striking another phosphor subpixel is shown as a function of scattering shield 38 height. Preferably, scattering shield 38 height is 12 μm , 25 μm , 50 μm , 75 μm , 100 μm or greater. However, the actual height and size will vary depending on dimensions of the display. Scattering shields 38 can have heights in the range of about 20 to 200 μm , 20 to 100 μm
20 and 50 to 100 μm beyond a height of the phosphor subpixels 32. With a height of 100 μm , scattering shields 38 provide a fivefold improvement in contrast.

Scattering shields 38 can be made of a photo patternable material including but not limited to polyimide. At least a portion of scattering shields 38 can include a black matrix material.

25 Display 10 may also include at least one internal structure in envelope 18 that fixes and constrains faceplate 12 to backplate 14, and thus aligns a plurality of phosphor subpixels 32 with corresponding field emitters 22 to within a predetermined tolerance of 12 μm or less. This internal structure is a receiving trench, which can also grip and retain and in this instance be a wall gripper,
30 formed on an internal side of faceplate 12, and a locator formed on an interior side of backplate 14. It will be appreciated that the locator can be formed on backplate 14, on faceplate 12 and on both faceplate 12 and backplate 14. An

internal support 20 is mounted in the wall locator. It is important to provide precision alignment between scattering shields 38 and phosphor subpixels 32; focus grid 36 and field emitters 22; and focus grid 36 and scattering shields 38. The structure is thereafter held in place without movement during the thermal assembly process.

Referring now to field emitters 22, a patterned field emission structure is included in backplate 14. The field emission structure consists of, (i) a plurality of field emitters 22, (ii) a patterned metallic emitter electrode, generally known as base electrode, divided into a group of substantially identical straight emitter lines, (iii) a metallic gate electrode divided into a group of substantially identical straight gate-electrode lines and (iv) an electrically insulating layer.

Emitter lines are positioned on the interior surface of backplate 14, extend parallel to each other at a uniform spacing, have a center-to-center spacing of about 315 to 320 μm and can be formed of nickel or chromium with a thickness of about 0.5 μm and a width of 100 μm . An insulating layer lies on the emitter-electrode lines and on laterally adjoining portions of backplate 14. The insulating layer can consist of silicon dioxide with a thickness of about 1 μm or less. The gate-electrode lines are positioned on the insulating layer and extend parallel to one another at a uniform spacing. Their center-to-center spacing is typically about 105 to 110 μm , and they extend perpendicular to the emitter lines. Gate lines can be formed of nickel with a thickness of about 0.02 to 0.5 μm and a width of about 30 μm .

Internal supports 20 have a sufficiently small thickness so they provide minimal interference with the operation of display 10, particularly field emitters 22 and phosphor subpixels 32 of the device. Internal supports 20 are preferably made of a ceramic, glass or glass-ceramic. Other materials include ceramic reinforced glass, devitrified glass, amorphous glass in a matrix, metal with an electrically insulating coating, bulk resistivity materials such as a titanium aluminum chromium oxide, vacuum compatible polyimides or insulators such as silicon nitride. Internal supports 20 have a thickness of about 20 to 60 μm , and a center-to-center spacing of about 8 to 10 mm. Internal supports 20 maintain

spacing between faceplate 12 and backplate 14 at a substantially uniform value across the entire active area of the display.

One embodiment of the process for forming scattering shields 38 and a wall locator is now described.

5 A layer of lacquer is sprayed on phosphor subpixels 32. The upper surface of the lacquer layer is smooth. A light reflecting layer can be evaporatively deposited on the lacquer layer. The structure is then heated at approximately 450 degrees C for 60 minutes in a partial oxygen atmosphere to burn out the lacquer.

10 A preferred material for scattering shields 38 is a photodefinable polyimide, such as OCG Probimide 7020 or other similar polymers from DuPont, Hitachi and the like.

 A first layer of Probimide 7020 is deposited by conventional spin deposition at 750 RPM for 30 seconds. Faceplate 12 is then baked on a hot
15 plate at 70 degrees C, followed by 100 degrees C soft bake, to drive off solvents. A black matrix pattern is created by, (i) photoexposure through a mask in proximity to the Probimide layer, (ii) development of the Probimide layer, followed by (iii) baking at 450 C. The Probimide is then developed in OCG QZ3501 by a puddle/spray cycle: followed by a solvent rinse (OCG QZ 3512).

20 A second layer of Probimide 7020 is deposited and baked under the same conditions as the first layer. The soft baked Probimide is then photoexposed by 405 nm light through a mask in proximity to the Probimide layer. The exposed probimide layer is then stabilized.

 The developed wall locator is then hard baked for 1 hour at 450 degrees
25 C in a nitrogen atmosphere with a thermal ramp of 3 degrees C per minute.

 Internal supports 20 are then inserted into the wall locator. The insertion axis of internal supports 20 is perpendicular to the plane of faceplate 12. Insertion can also be accomplished parallel to the plane of faceplate 12. Internal support 20 extends beyond scattering shields 38 in an amount sufficient to secure
30 one of its ends with solder glass to substrate 12.

 Internal support 20 is held in place with only one end secured by a solder glass or other high temperature adhesives. Other suitable adhesives include, but

are not limited to polyimide and the like. Solder glass can be, but is not limited to, OI CV 120. The assembly is then baked for one hour at 450 degrees C to devitrify the solder glass. A suitable oven ramp is 3 degrees C per minute. Securing one end of internal support 20 provides mechanical stability of internal support 20 for subsequent processing. Additionally, since there is differential expansion and contraction during thermal processing, when internal supports 20 are secured or pinned at both ends buckling of internal support 20 results. Securing internal support 20 at only one end enables the use of materials with substantially different coefficients of thermal expansion for internal supports 20, faceplate 12 and backplate 14.

It is possible to tack internal supports 20 with a laser in combination with cured solder glass. A perimeter frit, in bar form, is cured with the laser in a vacuum oven (final seal).

It will be appreciated that the present invention is not limited to the preceding example of a process cycle. The present invention can be created with various modifications of this process cycle.

Scattering shields 38 can also be created from black chromium and photopatterned by conventional lithography on faceplate 12.

The foregoing description of preferred embodiments of the present invention has been provided for the purposes of illustration and description. It is not intended to be exhaustive or to limit the invention to the precise forms disclosed. Obviously, many modifications and variations will be apparent to practitioners skilled in this art. The embodiments were chosen and described to best explain the principles of the invention and its practical application. This thereby enables others skilled in the art to understand the invention for various embodiments and with various modifications as are suited to the particular use contemplated. It is intended that the scope of the invention be defined by the following claims and their equivalents.

What is claimed is:

CLAIMS

1. A flat panel display, comprising:
a faceplate including a faceplate interior side;
5 a backplate including a backplate interior side in an opposing relationship to the faceplate interior side;
side walls positioned between the faceplate and the backplate to form an enclosed sealed envelope between the side walls, backplate interior side and the faceplate interior side;
10 a plurality of phosphor subpixels positioned at the faceplate interior side;
a plurality of field emitters that emit electrons which are directed to a corresponding phosphor subpixel; and
a plurality of scattering shields surrounding each phosphor subpixel and defining a subpixel volume, the scattering shields reducing a number of scattered
15 electrons in the subpixel volume from escaping from the subpixel volume, wherein the height of the scattering shields surrounding a phosphor subpixel is sufficient to reduce the number of scattered electrons from exiting from their corresponding subpixel volume to strike another phosphor subpixel.
- 20 2. The display of claim 1, wherein the height of the scattering shields surrounding a phosphor subpixel is sufficient to reduce the number of scattered electrons from exiting from their corresponding subpixel volume to strike and charge an insulating surface in the envelope.
- 25 3. The display of claim 1, wherein the height of the scattering shields surrounding a phosphor subpixel is sufficient to reduce the number of scattered electrons exiting from their corresponding subpixel volume to strike another phosphor subpixel.
- 30 4. The display of claim 1, wherein the height of the scattering shields is about 20 to 200 μm beyond the phosphor subpixels.

5. The display of claim 1, wherein the height of the scattering shields is about 20 to 100 μm beyond the phosphor subpixels.

5 6. The display of claim 1, wherein the phosphor subpixels have a height that extends about 1 to 30 μm from the faceplate interior side into the envelope.

7. The flat panel display of claim 6, wherein the scattering shields have a height of about 12 μm extending beyond the phosphor subpixels.

10

8. The flat panel display of claim 6, wherein the scattering shields have a height of about 25 μm extending beyond the phosphor subpixels.

9. The flat panel display of claim 6, wherein the scattering shields have a height of about 50 μm extending beyond the phosphor subpixels.

15

10. The flat panel display of claim 6, wherein the scattering shields have a height of about 75 μm extending beyond the phosphor subpixels.

11. The flat panel display of claim 6, wherein the scattering shields have a height of about 100 μm extending beyond the phosphor subpixels.

20

12. The display of claim 1, further comprising:
at least one internal support in the envelope supporting the backplate and the faceplate against forces acting in a direction toward the envelope.

25

13. The display of claim 1, wherein the scattering shields surrounding a phosphor subpixel are of sufficient height to reduce the number of scattered electrons escaping from their corresponding subpixel volume to strike and charge the internal support.

30

14. The display of claim 1, wherein the scattering shields are made of a material selected from the group consisting of polyimide, metal, glass and ceramic.

5 15. The display of claim 1, wherein a scattering shield glass interface is at least partially made of an optically absorbing material.

16. The display of claim 1, wherein a voltage equal to or greater than 1kV is applied between the backplate and the faceplate.

10 17. The display of claim 1, wherein a voltage equal to or greater than 3kV is applied between the backplate and the faceplate.

15 18. The display of claim 1, wherein a voltage equal to or greater than 5kV is applied between the backplate and the faceplate.

19. The display of claim 1, wherein a voltage equal to or greater than 7kV is applied between the backplate and the faceplate.

20 20. The display of claim 1, wherein a voltage applied between the backplate and the faceplate is about 10kV.

21. A flat panel display, comprising:
a faceplate including a faceplate interior side;
25 a backplate including a backplate interior side in an opposing relationship to the faceplate interior side;
side walls positioned between the faceplate and the backplate to form an enclosed sealed envelope between the side walls, backplate interior side and the faceplate interior side, the faceplate, backplate and side walls defining a display
30 envelope with at least one internal support;
a plurality of phosphor subpixels positioned at the faceplate interior side;

a plurality of field emitters that emit electrons which are directed to a corresponding phosphor subpixel;

5 a plurality of scattering shields surrounding each phosphor subpixel and defining a subpixel volume, the scattering shields reducing a number of scattered electrons in the subpixel volume from escaping from the subpixel volume, wherein the height of the scattering shields surrounding a phosphor subpixel is sufficient to reduce the number of scattered electrons from exiting from their corresponding subpixel volume to strike and charge an internal insulating surface in the envelope; and

10 a locating groove formed in a column or row guard band, the locating groove adapted to receive an internal support and mount it relative to the phosphor subpixels.

22. The display of claim 21, wherein the height of the scattering shields surrounding a phosphor subpixel is sufficient to reduce the number of scattered electrons exiting from their corresponding subpixel volume to strike another phosphor subpixel.

23. The display of claim 21, wherein the height of the scattering shields is about 20 to 200 μm beyond the phosphor subpixels.

24. The display of claim 21, wherein the height of the scattering shields is about 20 to 100 μm beyond the phosphor subpixels.

25. The display of claim 21, wherein the phosphor subpixels have a height that extends about 1 to 30 μm from the faceplate interior side into the envelope.

26. The flat panel display of claim 25, wherein the scattering shields have a height of about 12 μm extending beyond the phosphor subpixels.

27. The flat panel display of claim 25, wherein the scattering shields have a height of about 25 μm extending beyond the phosphor subpixels.

5 28. The flat panel display of claim 25, wherein the scattering shields have a height of about 50 μm extending beyond the phosphor subpixels.

29. The flat panel display of claim 25, wherein the scattering shields have a height of about 75 μm extending beyond the phosphor subpixels.

10 30. The flat panel display of claim 25, wherein the scattering shields have a height of about 100 μm extending beyond the phosphor subpixels.

31. The display of claim 21, further comprising:
at least one internal support in the envelope supporting the backplate and
15 the faceplate against forces acting in a direction toward the envelope.

32. The display of claim 21, wherein the scattering shields surrounding a phosphor subpixel are of sufficient height to reduce the number of scattered electrons escaping from their corresponding subpixel volume to strike
20 and charge the internal support.

33. The display of claim 21, wherein the scattering shields are made of a material selected from the group consisting of polyimide, metal, glass and ceramic.

25 34. The display of claim 21, wherein a voltage equal to or greater than 1kV is applied between the backplate and the faceplate.

30 35. The display of claim 21, wherein a voltage equal to or greater than 3kV is applied between the backplate and the faceplate.

36. The display of claim 21, wherein a voltage equal to or greater than 5kV is applied between the backplate and the faceplate.

5 37. The display of claim 21, wherein a voltage equal to or greater than 7kV is applied between the backplate and the faceplate.

38. The display of claim 21, wherein a voltage applied between the backplate and the faceplate is about 10kV.

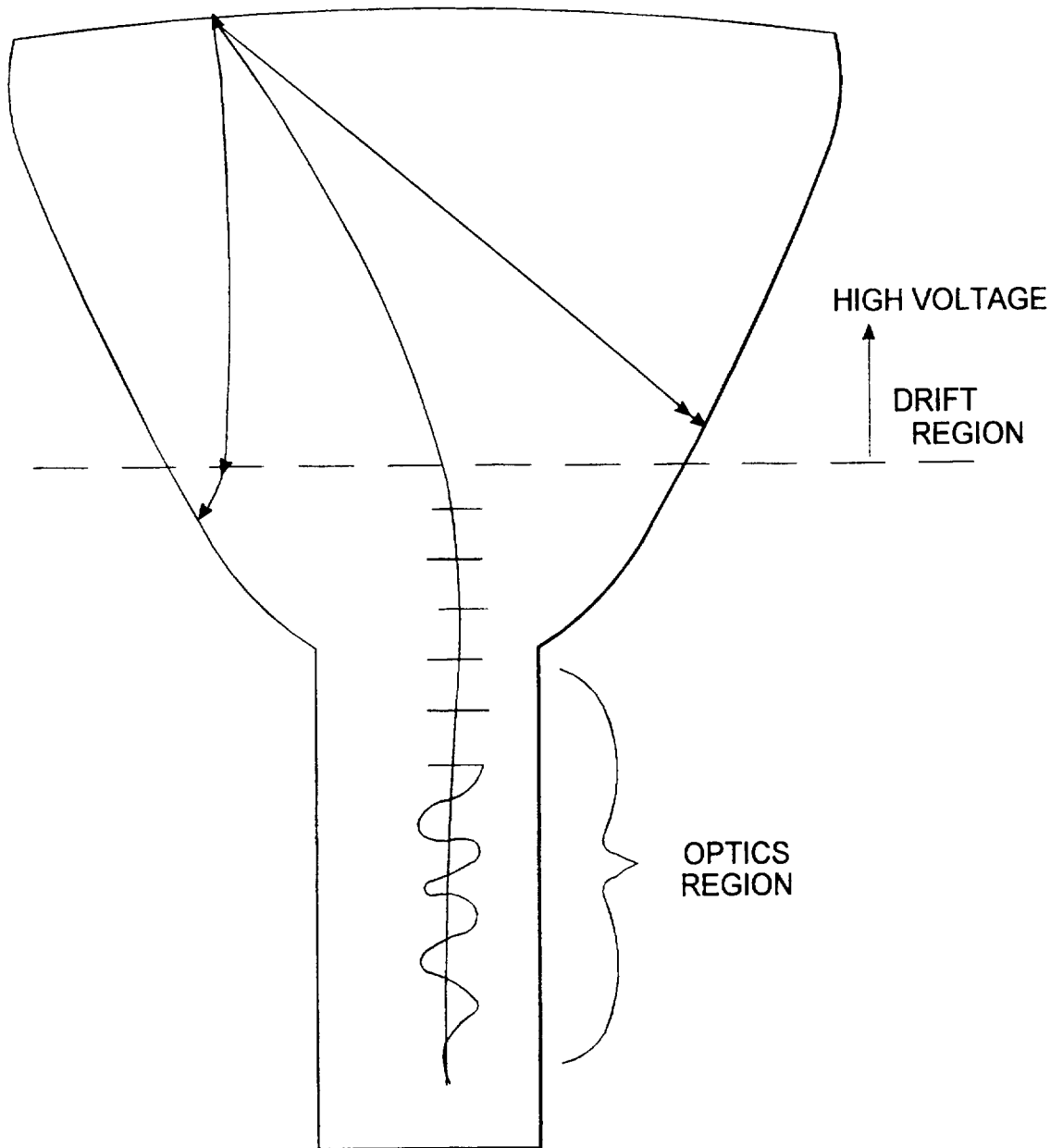


FIG.1
PRIOR ART

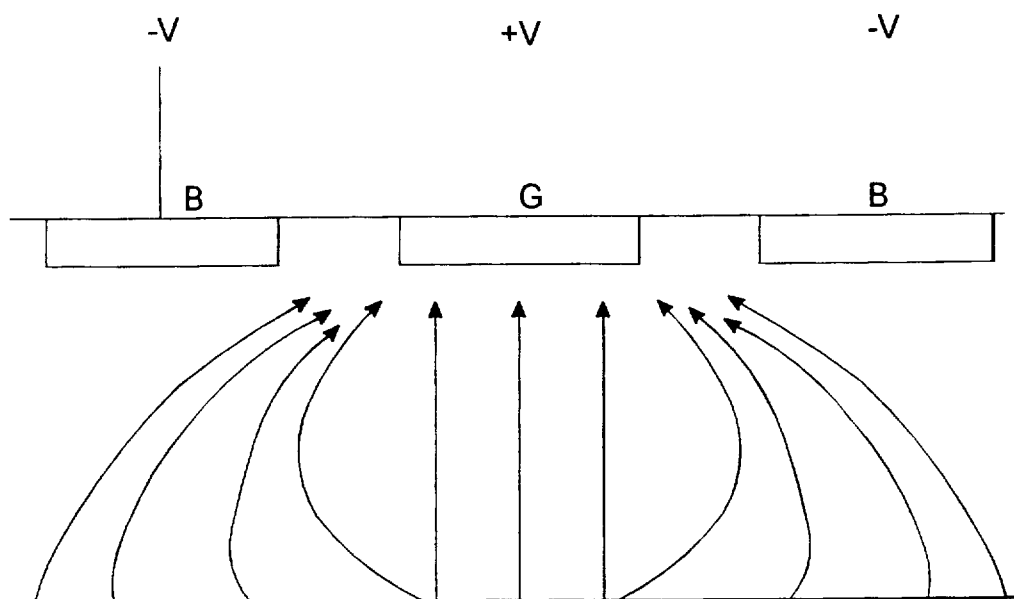


FIG.2
PRIOR ART

3/6

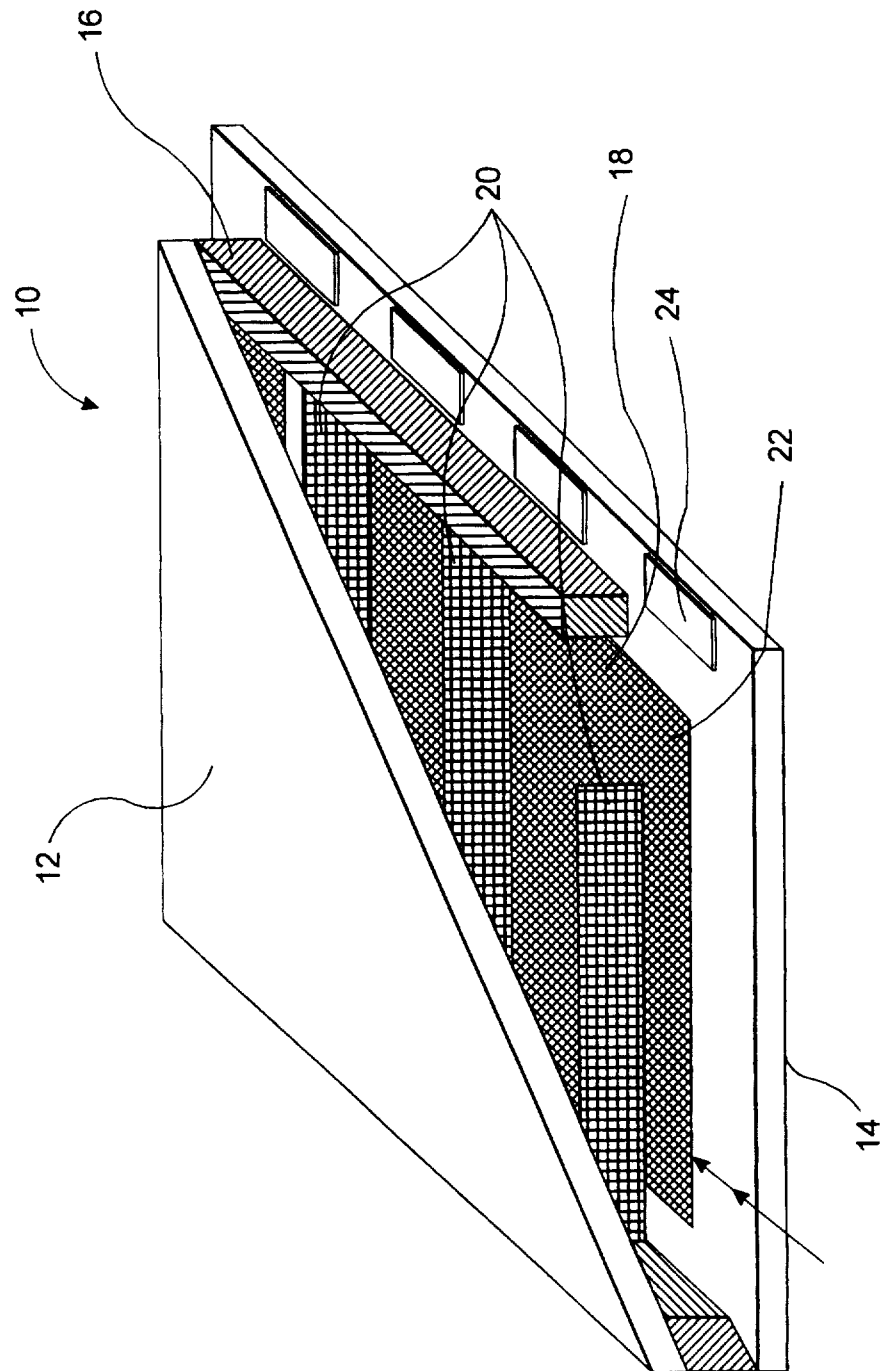


FIG.3

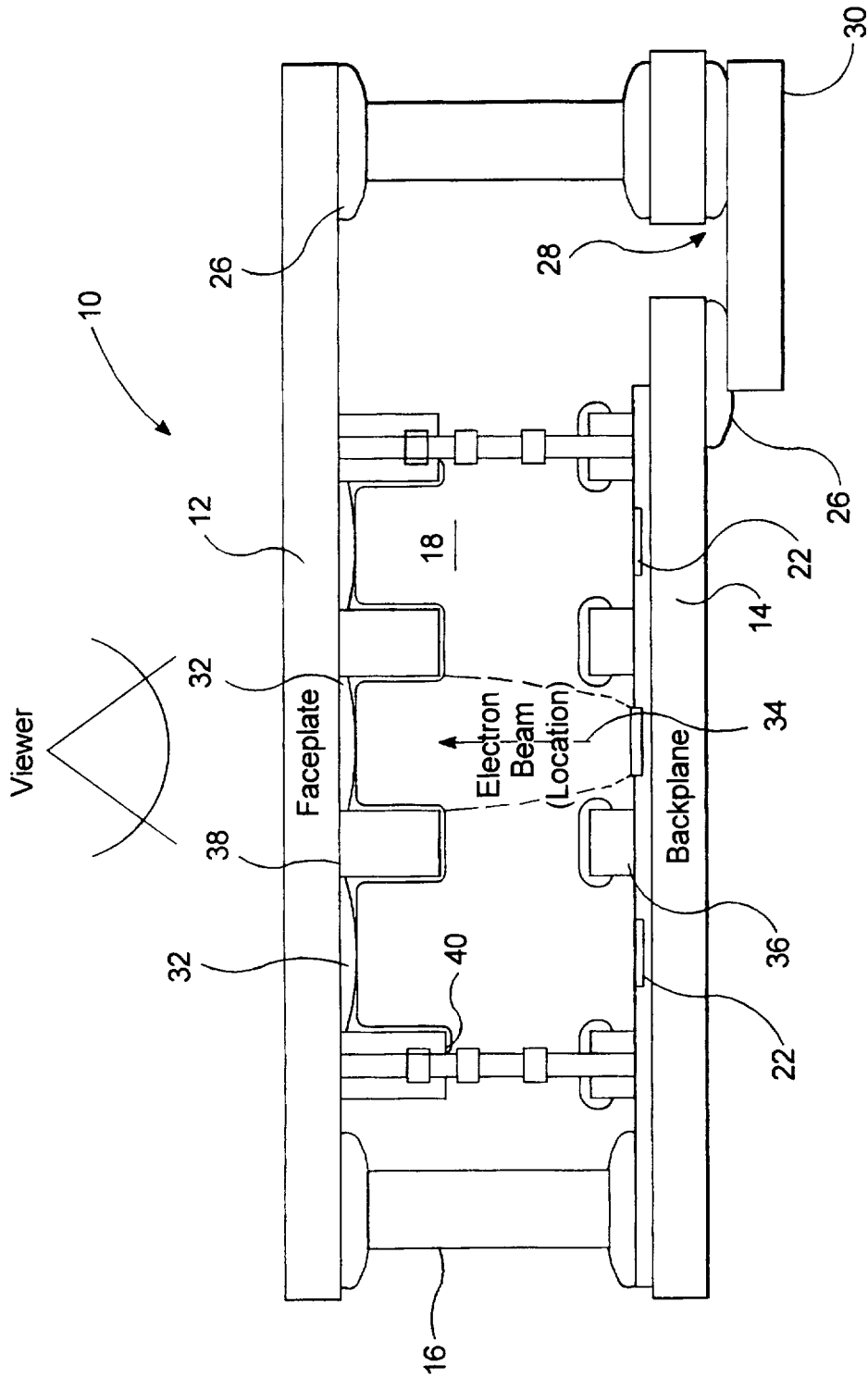


FIG.4

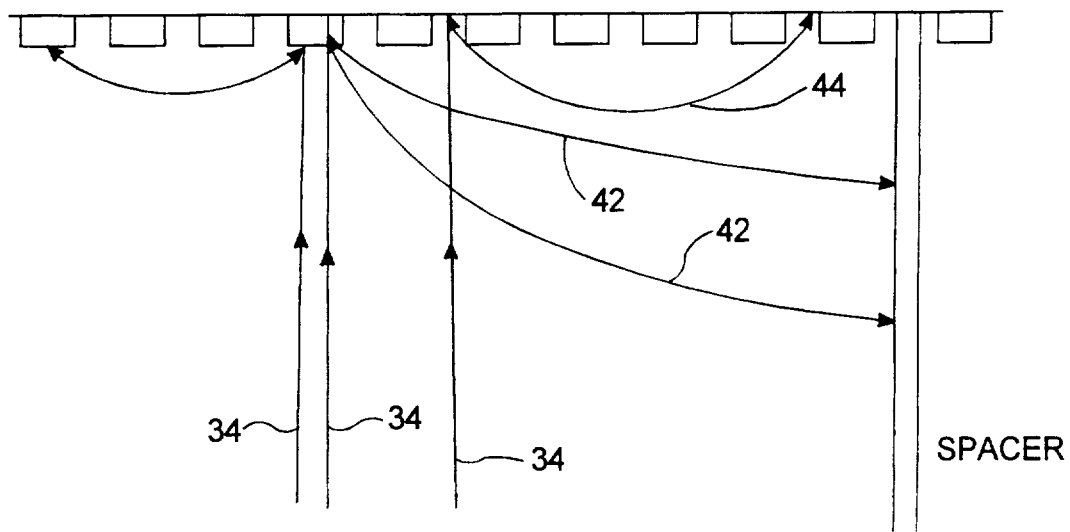


FIG. 5

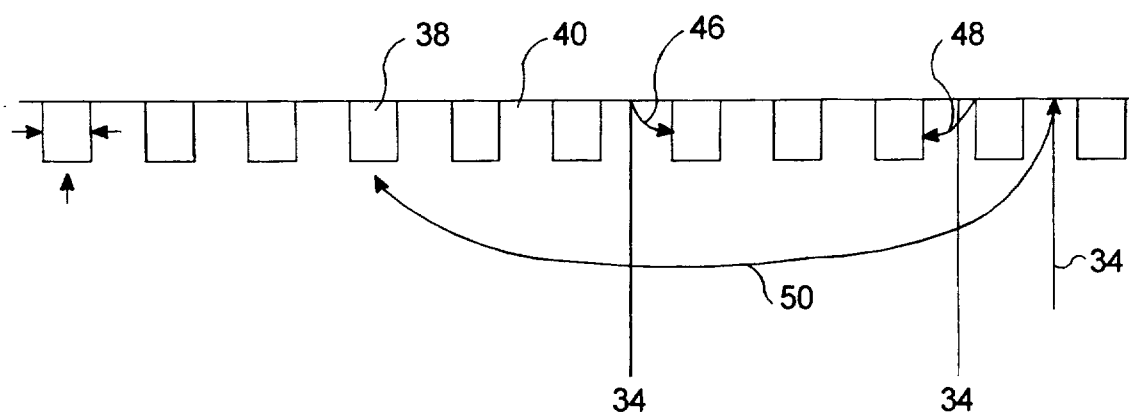


FIG. 6

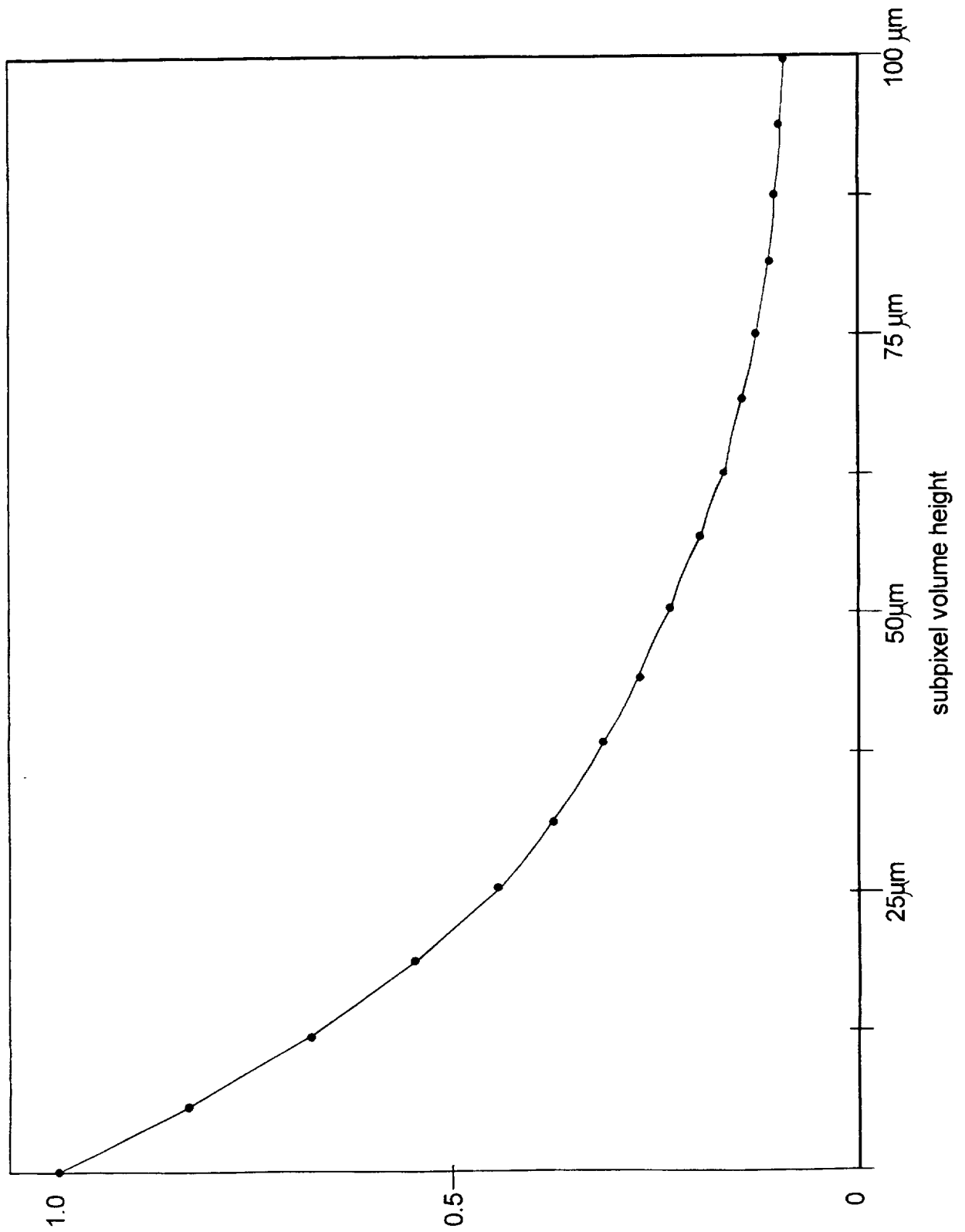


FIG. 7

INTERNATIONAL SEARCH REPORT

International Application No
PC1/US 96/18773

A. CLASSIFICATION OF SUBJECT MATTER
IPC 6 H01J31/12 H01J29/02

According to International Patent Classification (IPC) or to both national classification and IPC

B. FIELDS SEARCHED

Minimum documentation searched (classification system followed by classification symbols)
IPC 6 H01J

Documentation searched other than minimum documentation to the extent that such documents are included in the fields searched

Electronic data base consulted during the international search (name of data base and, where practical, search terms used)

C. DOCUMENTS CONSIDERED TO BE RELEVANT

Category *	Citation of document, with indication, where appropriate, of the relevant passages	Relevant to claim No.
P,X	US 5 508 584 A (TSAI CHUN-HUI ET AL) 16 April 1996 see claims 1-7,21-25 ---	1,14
P,X	WO 96 16429 A (SILICON VIDEO CORP ;SPINDT CHRISTOPHER J (US); FIELD JOHN E (US);) 30 May 1996 see claims 1-22,26-62 ---	1-38
X	EP 0 635 865 A (SONY CORP) 25 January 1995 see column 3, line 17 - line 45; claims 1-3 ---	1
X	US 5 378 962 A (GRAY HENRY F ET AL) 3 January 1995 see claims 1-29 ---	1
	-/--	

Further documents are listed in the continuation of box C.

Patent family members are listed in annex.

* Special categories of cited documents :

- *A* document defining the general state of the art which is not considered to be of particular relevance
- *E* earlier document but published on or after the international filing date
- *L* document which may throw doubts on priority claim(s) or which is cited to establish the publication date of another citation or other special reason (as specified)
- *O* document referring to an oral disclosure, use, exhibition or other means
- *P* document published prior to the international filing date but later than the priority date claimed

- *T* later document published after the international filing date or priority date and not in conflict with the application but cited to understand the principle or theory underlying the invention
- *X* document of particular relevance; the claimed invention cannot be considered novel or cannot be considered to involve an inventive step when the document is taken alone
- *Y* document of particular relevance; the claimed invention cannot be considered to involve an inventive step when the document is combined with one or more other such documents, such combination being obvious to a person skilled in the art.
- *&* document member of the same patent family

Date of the actual completion of the international search

14 March 1997

Date of mailing of the international search report

19.03.97

Name and mailing address of the ISA

European Patent Office, P.B. 5818 Patentlaan 2
NL - 2280 HV Rijswijk
Tel. (+ 31-70) 340-2040, Tx. 31 651 epo nl,
Fax (+ 31-70) 340-3016

Authorized officer

Van den Bulcke, E

INTERNATIONAL SEARCH REPORT

International Application No.

PCT/US 96/18773

C.(Continuation) DOCUMENTS CONSIDERED TO BE RELEVANT

Category *	Citation of document, with indication, where appropriate, of the relevant passages	Relevant to claim No.
A	EP 0 631 295 A (CANON KK) 28 December 1994 see column 14, line 46 - column 15, line 25; claims 1-5 -----	21

INTERNATIONAL SEARCH REPORT

Information on patent family members

International Application No

PCT/US 96/18773

Patent document cited in search report	Publication date	Patent family member(s)	Publication date
US 5508584 A	16-04-96	NONE	

WO 9616429 A	30-05-96	US 5543683 A	06-08-96
		US 5578899 A	26-11-96
		AU 4243596 A	17-06-96
		EP 0740846 A	06-11-96

EP 0635865 A	25-01-95	JP 7037535 A	07-02-95
		US 5534749 A	09-07-96

US 5378962 A	03-01-95	NONE	

EP 0631295 A	28-12-94	JP 7302560 A	14-11-95
		AU 673910 B	28-11-96
		AU 6317994 A	01-12-94
		CN 1104370 A	28-06-95
		CA 2123842 A	21-11-94
		JP 7045221 A	14-02-95
