

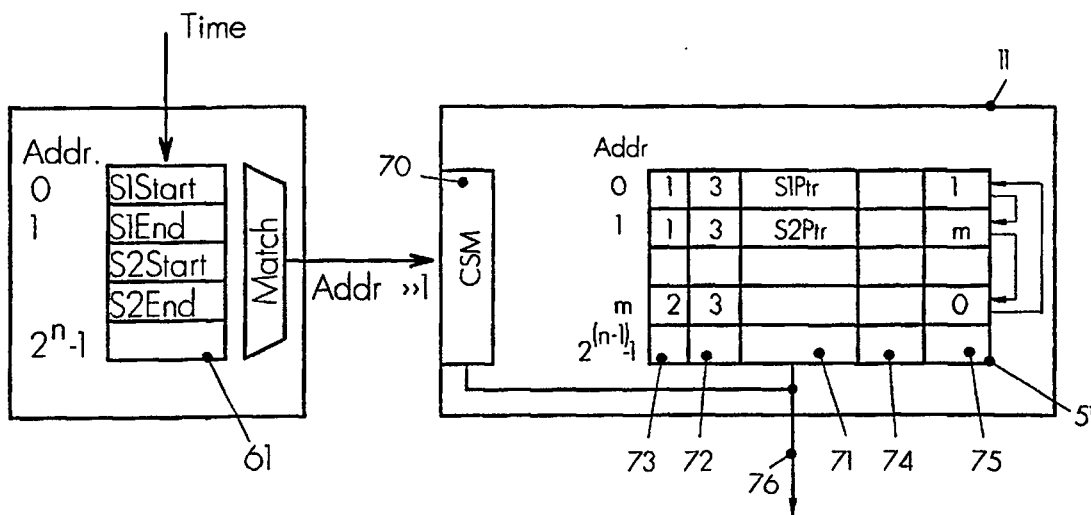


INTERNATIONAL APPLICATION PUBLISHED UNDER THE PATENT COOPERATION TREATY (PCT)

(51) International Patent Classification <sup>6</sup> : <b>G06F 17/30</b>	<b>A1</b>	(11) International Publication Number: <b>WO 95/25313</b> (43) International Publication Date: 21 September 1995 (21.09.95)
--	-----------	--

<p>(21) International Application Number: PCT/EP94/00833</p> <p>(22) International Filing Date: 16 March 1994 (16.03.94)</p> <p>(71) Applicant (for all designated States except US): INTERNATIONAL BUSINESS MACHINES CORPORATION [US/US]; Old Orchard Road, Armonk, NY 10504 (US).</p> <p>(72) Inventors; and (75) Inventors/Applicants (for US only): KAISERSWERTH, Matthias [DE/CH]; Leigrubenstrasse 2, CH-8805 Richterswil (CH). RÜTSCHÉ, Erich [CH/FR]; 1500, chemin des Adrets, F-06370 Mouans-Sartoux (FR).</p> <p>(74) Agent: BARTH, Carl, O.; IBM Research Laboratory, Intellectual Property Dept., Säumerstrasse 4, CH-8803 Rüschlikon (CH).</p>	<p>(81) Designated States: JP, US, European patent (AT, BE, CH, DE, DK, ES, FR, GB, GR, IE, IT, LU, MC, NL, PT, SE).</p> <p><b>Published</b> With international search report.</p>
---	--

(54) Title: METHOD AND APPARATUS FOR SYNCHRONIZATION AND SCHEDULING OF MULTIPLE DATA STREAMS AND REAL TIME TASKS



(57) Abstract

The present application concerns a method and an apparatus for the synchronization and the scheduling of multiple data streams and real time tasks. In accordance with the present invention, pointers pointing to the information streams to be synchronized and processed are kept in the table (51) of a selector (11). The time marks (S1Start etc.) of said information streams are stored in a table (61) of a timer. The system time is checked against said time marks and if a time mark has been reached, the table (51) of said selector (11) is updated. If the status of an information stream is such that its trigger condition is fulfilled, the pointer to said information stream is made available at the output of the selector (11). This pointer is then used to retrieve the respective information stream and to forward it to a payout device.

**FOR THE PURPOSES OF INFORMATION ONLY**

Codes used to identify States party to the PCT on the front pages of pamphlets publishing international applications under the PCT.

<b>AT</b>	Austria	<b>GB</b>	United Kingdom	<b>MR</b>	Mauritania
<b>AU</b>	Australia	<b>GE</b>	Georgia	<b>MW</b>	Malawi
<b>BB</b>	Barbados	<b>GN</b>	Guinea	<b>NE</b>	Niger
<b>BE</b>	Belgium	<b>GR</b>	Greece	<b>NL</b>	Netherlands
<b>BF</b>	Burkina Faso	<b>HU</b>	Hungary	<b>NO</b>	Norway
<b>BG</b>	Bulgaria	<b>IE</b>	Ireland	<b>NZ</b>	New Zealand
<b>BJ</b>	Benin	<b>IT</b>	Italy	<b>PL</b>	Poland
<b>BR</b>	Brazil	<b>JP</b>	Japan	<b>PT</b>	Portugal
<b>BY</b>	Belarus	<b>KE</b>	Kenya	<b>RO</b>	Romania
<b>CA</b>	Canada	<b>KG</b>	Kyrgystan	<b>RU</b>	Russian Federation
<b>CF</b>	Central African Republic	<b>KP</b>	Democratic People's Republic of Korea	<b>SD</b>	Sudan
<b>CG</b>	Congo	<b>KR</b>	Republic of Korea	<b>SE</b>	Sweden
<b>CH</b>	Switzerland	<b>KZ</b>	Kazakhstan	<b>SI</b>	Slovenia
<b>CI</b>	Côte d'Ivoire	<b>LI</b>	Liechtenstein	<b>SK</b>	Slovakia
<b>CM</b>	Cameroon	<b>LK</b>	Sri Lanka	<b>SN</b>	Senegal
<b>CN</b>	China	<b>LU</b>	Luxembourg	<b>TD</b>	Chad
<b>CS</b>	Czechoslovakia	<b>LV</b>	Latvia	<b>TG</b>	Togo
<b>CZ</b>	Czech Republic	<b>MC</b>	Monaco	<b>TJ</b>	Tajikistan
<b>DE</b>	Germany	<b>MD</b>	Republic of Moldova	<b>TT</b>	Trinidad and Tobago
<b>DK</b>	Denmark	<b>MG</b>	Madagascar	<b>UA</b>	Ukraine
<b>ES</b>	Spain	<b>ML</b>	Mali	<b>US</b>	United States of America
<b>FI</b>	Finland	<b>MN</b>	Mongolia	<b>UZ</b>	Uzbekistan
<b>FR</b>	France			<b>VN</b>	Viet Nam
<b>GA</b>	Gabon				

1

**DESCRIPTION**

5

**Method and Apparatus for Synchronization and Scheduling  
of Multiple Data Streams and Real Time Tasks****TECHNICAL FIELD**

10 The present invention concerns a method and apparatus for the synchronization and the scheduling of multiple data streams as well as for the scheduling of tasks in operating systems with hard real-time requirements.

15

**BACKGROUND OF THE INVENTION**

Multimedia information is composed of several objects that constitute a document. These objects could be of different data types, such as text, still images, video, and sound. In order for these objects to be meaningful to a user, there must be a logical and temporal structure of the objects  
20 constituting the documents' contents. To ensure this logical and temporal structure, e.g. when displaying a video sequence on a display device and providing a soundtrack for this video sequence via an adapter card to a speaker, the respective data streams have to be synchronized and  
25 scheduled before being sent to the output devices. The same principle applies to other related multimedia information which has to be synchronized in communicating with other devices or users (e.g. teleconferencing), before processing and presentation.

30 Synchronization and scheduling is a critical task for a wide spectrum of applications ranging from computer-integrated telephony, text with voice annotations, any kind of multi media systems, and interactive services (e.g. interactive television) to cooperative teleworking on documents including

1 foils and video, and distributed games. A further application, where  
information streams have to be synchronized, is known as medical imaging,  
for which high-resolution images must be distributed reliably and fast  
throughout a hospital.

5

To date, the synchronization is typically performed in software. However, if  
the scheduling intervals are too short, or if too many information streams  
must be synchronized, a software solution, which is very CPU intensive, is  
often the limiting factor as far as processing speed is concerned.

10

In real-time systems time-critical tasks have to be scheduled reliably and  
fast. In the present context, any system in which the time at which an output  
is produced is significant, is referred to as real-time system. The lag from  
the input time of a real-time system to its output time, i.e. the delay, must be  
15 sufficiently small for acceptable timeliness. With other words, a real-time  
system has to respond to an externally-generated input stimuli within a  
finite and specified period. In hard real-time systems, i.e. in those systems  
where it is absolutely imperative that responses occur within a specified  
deadline, scheduling of time-critical tasks is of particular interest. However,  
20 the present invention is not limited to hard real-time systems. It might be  
used in soft real-time systems, too. Such a soft real-time system would still  
function correctly if deadlines are occasionally missed, and a hardware  
solution in accordance with the present invention might be too costly under  
certain circumstances.

25

## SUMMARY OF THE INVENTION

It is an object of the present invention to provide a method and apparatus  
30 for off-loading the synchronization of multiple information streams from the  
processor of the system handling these information streams.

1 It is an object of the present invention to provide a method and apparatus  
for fast and reliable synchronization and scheduling of multiple information  
streams.

5 It is another object of the present invention to provide a method and  
apparatus for scheduling tasks or processes in real-time systems.

The above objects have been accomplished by handling pointers pointing to  
the information streams to be synchronized and by maintaining a table with  
10 status information of each information stream. The time marks of said  
information streams are stored in a table and the system time is checked  
against said time marks. If a time mark has been reached the status  
information of the respective information stream is updated. If the status of  
an information stream is such that its trigger condition is fulfilled, the  
15 pointer to said information stream is made available for playout of this  
information stream.

20

25

30

1

DESCRIPTION OF THE DRAWINGS  
AND NOTATIONS USED

The invention is described in detail below with reference to the following  
5 drawings:

**FIG. 1** shows a system, in accordance with the present invention, for  
payout of two information streams.

10 **FIG. 2** illustrates the synchronization of multiple data streams.

**FIG. 3** illustrates the synchronization and play out of two data streams  
when the respective trigger condition is fulfilled.

15 **FIG. 4** illustrates how a priority value might be increased with  
advancing time.

**FIG. 5** shows the two core components of an apparatus for  
synchronization and scheduling of data streams and real time  
20 tasks, in accordance with the present invention.

**FIG. 6A** shows a first exemplary embodiment of the timer.

**FIG. 6B** shows a second exemplary embodiment of the timer.

25

**FIG. 7** shows an embodiment of the timer and selector, in accordance  
with the present invention.

**FIG. 8** shows an example of an 8-bit timer where every second bit is  
30 used.

## 1 GENERAL DESCRIPTION

5 In multimedia systems multiple data streams must be synchronized and scheduled for playout to, for example, a speaker 15 and a video display 14, as illustrated in Figure 1. The synchronization of multiple data streams is illustrated in Figure 2. The three streams are synchronized at so-called synchronization points (SyncPoint) 22. A stream may be synchronized to one or multiple other streams or to time stamps 23 defined by an external clock. This synchronization is typically performed in software, as mentioned  
10 in the introductory portion of the present description. In the following, a mechanism is presented which performs synchronization and output scheduling of multiple data streams in hardware without central processing unit (CPU) interaction. The same mechanism can also be used for scheduling tasks in real-time systems.

15 A data stream is a sequence of data units. In Figure 3, the synchronization of two data units is illustrated. The SyncPoints are translated to time marks relative to the system which processes the received data streams. The SyncPoints might be translated to time marks by means of a clock or  
20 counter of said system. In the example given in Figure 3, a data unit from stream 1 cannot be played out before a time mark 30 (S1Start) and it must be played out before a time mark 31 (S1End). The same applies to the second data stream (stream 2). As illustrated in Figure 3, at least two different states (WAIT, READY) can be associated with a data stream.  
25 Before SxStart of a data stream x has been reached, the respective data unit is in the WAIT state. After SxStart and before SxEnd it is in the READY state. It is conceivable to assign further states, such as a DELAYED state, to these data streams. The DELAYED state might be associated to a data unit after SxEnd.

30 In order to be able to synchronize two data units for playout, trigger conditions are defined in accordance with the present invention. A typical trigger condition might be:

1

IF both data units are in the READY state  
THEN they can be played out.

5

The trigger conditions are checked and as soon as the condition is fulfilled, the data units are played out. This concept is schematically illustrated in Figure 3, where means for checking the trigger condition 32 are shown.

10

In general, two or more data units can be related in time by trigger conditions, which can be an arbitrary logical combination of the different states of the respective data units. Fulfilling a given trigger condition then initiates the appropriate operation on the units.

15

The synchronization can be further enhanced with a priority value P to distinguish between data units (or tasks) which fulfill a trigger condition to select an older or more important stream (or task). This, for example, allows to prioritize streams that should not be delayed, whereas other data streams might be delayed. In Figure 4 an example is shown how the priority value P of a data unit (or task) can be increased in time. In this example, three different states (WAIT, READY, DELAYED) are associated with the data stream. The priority value P might also be increased or decreased by interaction of a processor or upon receipt of a feedback signal of a playout device.

20

25

A first embodiment of the present invention is schematically illustrated in Figure 1. According to this example, two data streams are received by means 18 for extraction of time marks. The first data stream originates from a storage disk 16, whereas the second data stream is sent via a network 17 to said means 18 for extraction of time marks. After extraction of the time marks, the data units of the two data streams are stored in buffers 19 and 20, and the respective time marks are provided to a timer 10. The buffer addresses are forwarded to a selector 11. In addition, a system clock or counter 13 is connected to said timer 10, and a processor, e.g. a CPU, might

30



1 be linked to the timer 10 and selector 11. Two playout devices, a display unit 14 and a loudspeaker 15, are connected via an interfacial playout device to the buffers 19 and 20.

5 The two core components of the present invention are the timer 10 and the selector 11. Their operation is described in connection with Figure 5.

The timer 10 holds a table 50 with entries concerning the time marks of each data unit received and stored in a buffer. These time marks are relative to a  
10 time signal either being generated by a system clock 13 or a counter. Each time mark reached is then output to the selector 11. The table 50 is written by an external processor. The selector comprises a table 51 where for each data unit in a buffer a pointer to said data unit, i.e. the respective buffer address, the state of said data unit, and the trigger condition are held. Data  
15 units to be synchronized are linked into a circular list via their table entries. For each time mark received from the timer 10, the selector 11 updates the status field of the concerned data unit and then checks the trigger condition of all data units to be synchronized with said data unit. Once the trigger condition is fulfilled, the pointer to the data unit (or units) is made available  
20 at the output of selector 11. The output of the pointer then triggers retrieval and playout of the data unit by means of the playout device 21. Table 51 of the selector 11 might be maintained and updated by an external processor, e.g. CPU 12.

25 The timer 10 reads the current system time and returns the address of a unit pointer in the selector 11. This function can be provided in several ways. First, a solution based on a content addressable memory (CAM) is presented which is suitable for a high resolution timer but relatively expensive. The second solution is less expensive and is suitable for lower  
30 resolution timers and for implementing timer priority as described below. The two solutions are shown in Figures 6A and 6B, respectively.

1 The CAM timer 60 is illustrated in Figure 6A. It comprises a CAM 61. The  
start and end time mark for each data unit to be scheduled are written into  
consecutive addresses of the CAM 61. The addresses then differ only in the  
least significant bit. Thus, for a CAM of  $2^n$  addresses,  $n-1$  bits determine the  
5 address of the scheduling unit pointer in the selector table 51. The width of  
a CAM entry is determined by the resolution of the time signal received at  
input 62. For a 32-bit time signal also a 32-bit wide CAM 61 is required.

For lower time resolution a timer 63 with counter 64, as shown in Figure 6B,  
10 might be employed. In this case the difference between the current time  
and the time mark is calculated and its two's complement is written to the  
timer table 65. The counter 64 increments each entry for each time tick at  
input 66. If the carry bit of an entry becomes set, its address is shifted right  
by one bit and output to the selector 11. As the counter 64 continues to  
15 increment the entries, the content of the entry (with its carry bit = 1) can  
then be used to reflect the time passed since reaching the start and/or end  
time. The counter value thus describes a time based priority. With this  
counter value a priority value P might be generated. The width of a timer  
entry can range from 8 to 32 bits depending on the timer resolution and the  
20 required timer differences. A free flag 67 might be provided in order to  
mark free table entries in table 65. This flag 67 is used by the counter to  
determine which entries it must increment.

For both schemes, a FIFO can hold free timer table entries to reduce the  
25 management load of the external processor. The processor gets a free entry  
from the FIFO and writes delayed entries, or entries which are freed, to the  
FIFO. The selector might directly write delayed entries to this FIFO.

It is obvious that the present invention is not limited to the above two  
30 implementations of timers since other timers are conceivable which are well  
suited, too.

1 The selector 11 comprises a table 51 and a comparator state machine (CSM)  
70. The table 51 has  $2^{(n-1)}$  entries (rows or columns). The exemplary  
implementation of the selector 11, given in Figure 7, shows a table 51 with  
2<sup>(n-1)</sup> rows. Each row has a pointer field 71 holding the pointer, i.e. the  
5 buffer address S1Ptr, to the data unit to be scheduled, a p-bit wide priority  
field 72, a k-bit wide status field 73, a 2-bit wide trigger field 74, and an  
(n-1)-bit wide synchronization field 75. The width of said status field 73  
depends on the number of different states. In case of three different state  
(WAIT, READY, DELAYED) the status field 73 is 2-bits wide. The  
10 synchronization field 75 holds a pointer linking all those entries with which a  
data unit must be synchronized into a circular list. This circular list is  
schematically illustrated by means of arrows on the right hand side of table  
51. The CSM 70 receives the address of a unit pointer from the timer 10  
and updates the state of the status field 73 in this row. The CSM 70 then  
15 follows the linked list of synchronizations entries and computes whether the  
trigger condition is fulfilled by comparing the status fields 73 with the trigger  
fields 74. The trigger condition might also be checked by means of simple  
logical elements such as AND-gates, OR-gates etc.

20 In the following, it is assumed, without loss of generality, that the trigger  
condition is fulfilled when all entries in the respective trigger fields 74 are in  
the READY state. In this case, the trigger state fields are redundant and  
might be omitted.

25 Once all the entries linked by the synchronization field 75 are READY, the  
CSM 70 outputs the entries according to their priorities, if any. With  $p=4$ , 16  
priority classes can be distinguished. The width  $w$  of the scheduling unit  
pointer is determined by the memory (buffer) architecture of the system. The  
width  $s$  of the synchronization field 75 is determined by the size of the  
30 selector table 51, with  $s=n-1$ .

In Figure 7 the problem shown in 3 is elaborated. The time marks 30  
(S1Start) and 31 (S1End) of data unit S1 are written to the addresses 0 and 1

1 of the CAM 61. The address of the pointer to the data unit S1 is the CAM  
address shifted right by one bit. An external processor 12 writes the time  
marks to the timer table, i.e. the CAM 61 and the entries to the selector  
table 51. For a data unit to be scheduled which requires priority, the priority  
5 field 72 is set. In this example a 4-bit wide priority field 72 is used. For each  
time mark reached, the state, reflected by the status field 73, is updated. If  
the state is READY, the CSM 70 reads the synchronization field 75 and  
follows the linked list to determine whether the state of all other entries  
fulfills the trigger condition. If the trigger condition is reached, the unit  
10 pointer with the highest priority is made available at output 76 first. If  
multiple units have the same priority, or in case that no priority fields are  
provided, the unit pointers might either be output in parallel or in a  
consecutive manner, e.g. by order of their position in the selector table 51. It  
is obvious that the priority fields 72 can be omitted, too.

15

In many systems, multimedia as well as real-time, the scheduling of actions,  
data streams, tasks, processes, or the playout of data units is determined by  
a priority which increases with time. If a counter timer, as illustrated in  
Figure 6B, is used as the timer component 10, the entry in the timer table 65  
20 also describes its priority. This priority can be used in the priority field 72 of  
the selector 11 to achieve time dependent scheduling. The four most  
significant bits of the timer entry are used to distinguish again 16 priorities.  
A different set of bits might be used if the priority must increase  
non-linearly. Figure 8 shows an example of an 8-bit timer where every  
25 second bit is used to get a priority mechanism that maps the 256 timer  
values to 16 non-linear priority values P.

According to the present invention, a synchronization point (SyncPoint) is  
set up by writing the time marks to the free entries in the timer table and  
30 setting up the associated entries in the selector table. For each stream this  
takes one write operation to the timer and to the selector table, plus the  
operations to set up the selector table entry. The actual scheduling takes  
place in hardware without any further intervention of an external processor.

1 For a solution in software a similar number of setup operations would be  
necessary but the search in a list of timers would take much longer.  
Typically timers involve interrupt processing which is very time consuming  
in particular in modern RISC processors with a large register file and  
5 instruction pipeline. In the present invention these operations are avoided  
and implemented in hardware. Additionally, the present invention can  
handle timers with much finer granularity than any software solution.

The present invention, which has been described by means of a multimedia  
10 related example, can be used in various multimedia communication  
subsystems, e.g. for multimedia multiparty teleconferencing, or multimedia  
protocol adapters. In ST-II and RTP protocol systems, for example, a playout  
time stamp can be extracted from the protocol header and used in the  
present scheduler (ST-II is the second version of an experimental Internet  
15 stream protocol, and RTP is a transport protocol for real-time applications).  
The present invention might also be used in multimedia bus systems which  
provide a time signal. Data units to be triggered at a specified time are  
written to the scheduler and the multimedia bus provides the timer input to  
the timer unit. The invention can also be used in a multimedia adapter such  
20 as the IBM ActionMedia II adapter (see IBM ActionMedia II Technical  
Reference, IBM 04G5144, 2nd Edition, June 1992, Mechanicsburg), or the  
MWave System (see "MWave Multimedia System", Technical Brief, Texas  
Instruments, 1992) to synchronize multiple data streams. The term  
ActionMedia is a trademark of the Intel Corporation and MWave is a  
25 trademark of the IBM Corporation.

As already mentioned in the introduction, the present invention might also  
be used in real-time systems for the scheduling of time-critical tasks or  
processes. For these kind of application there is no synchronization field in  
30 the table of the selector required. The CSM selects from the selector table  
the entry with the highest priority. The scheduling unit pointer, i.e. a pointer  
pointing to a task control block or to executable code, is then output. The  
timer priority mechanism described above can be used to implement

1 scheduling policies with an explicit deadline, e.g. the earliest-deadline-first  
or least-slack time scheduling algorithm as disclosed in the book "Real-Time  
Systems and their Programming Languages", by A. Burns and A. Wellings,  
Addison-Wesley Publishing Company, International Computer Science  
5 Series, 1990. An external processor calculates the difference to the time  
marks and writes it to the timer table. The entries are then used to derive  
the priority of a job.

10

15

20

25

30

1

**CLAIMS**

1. Apparatus for synchronization of at least two information streams which comprises:
  - 5 a) a timer (10) for holding a first table (50) with time marks for each one of said information streams, and for making each time mark reached available at the timer output,
  - b) a selector (11) for holding a second table (51) with
    - 10 • pointer fields (71) carrying pointers to each of said information streams,
    - status fields (73) carrying information concerning the status of each of said information streams, the status field of an information stream being updated each time a time mark of said information stream is reached and made available at said
    - 15 timer output,
  - c) means for checking whether a trigger condition of an information stream is fulfilled by watching the corresponding status field, and
  - d) means for making the pointer to an information stream whose trigger condition is fulfilled available for playout of said information
  - 20 stream.
2. The apparatus of claim 1, wherein said second table (50) further comprises:
  - 25 • trigger fields (74) carrying information concerning the trigger conditions of each of said information streams.
3. The apparatus of claims 1 or 2, wherein said second table (51) further comprises:
  - 30 • synchronization fields (74) carrying, by means of a linked list, entries concerning information streams to be played out in a certain relationship to each other.

- 1 4. The apparatus of claims 1, 2, or 3, wherein said second table (51)  
further comprises:
- priority fields (72) carrying priority values (P) such that the  
information stream with highest priority is played out first if the  
5 respective trigger condition has been fulfilled.
5. The apparatus of claim 4, further comprising means for increasing said  
priority values (P) with advancing time.
- 10 6. The apparatus of any of the preceding claims, further comprising:
- means (18) for extracting said time marks from incoming  
information streams,
  - buffer means (19, 20) for storing said information streams,
  - playout means (21) for retrieval of said information streams stored  
15 in said buffer means (19, 20) and for playout to the respective  
playout devices (14, 15).
7. A multimedia system comprising an apparatus in accordance with any  
of the preceding claims.
- 20 8. Apparatus for scheduling at least two real time tasks or two processes  
which comprises:
- a) a timer (10) for holding a first table (50) with time marks for each  
one of said tasks or processes, and for making each time mark  
25 reached available at the timer output,
  - b) a selector (11) for holding a second table (51) with
    - pointer fields (71) carrying pointers to task control blocks or  
executable code,
    - means for making a pointer to a task control block or an  
30 executable code available at an output of said selector each  
time a time mark of said task or process is reached in said  
timer.



- 1 9. The apparatus of claim 8, wherein the pointer to a task or process with highest priority is made available first.
- 5 10. Method for synchronization of at least two information streams, characterized by the following steps:
- a) checking whether a time mark of one of said information streams has been reached,
  - b) updating the status information of said information stream whose time mark has been reached,
  - 10 c) determining whether the trigger condition of said information stream is fulfilled by watching said status information, and
  - d) providing a pointer to said information stream for further processing if the trigger condition of said information stream is fulfilled.
- 15 11. The method of claim 10, wherein the playout of information streams, which have to be played out in a predefined relationship to each other, is scheduled by means of a linked list being organized such that each time when a status information of one of said information streams is updated, the status information of the other information streams are checked, and said information streams played out when all trigger
- 20 conditions are fulfilled.
12. The method of claim 10, wherein a priority value (P) is assigned to each of said information streams, the information streams with highest
- 25 priority being played out first.
13. The method of claim 12, wherein the priority value (P) of an information stream is increased with advancing time.
- 30 14. The method of claim 10, further comprising the following steps:
- extracting and/or synchronizing the time marks of said information streams,
  - storing said information streams in buffers,

1           •     making the addresses of said buffers available as pointers for later  
              retrieval of said information streams,

5           15. The method of claim 14, wherein said information stream is retrieved  
              from said buffer by means of said pointer, prior to being send to a  
              playout device.

10

15

20

25

30

1/4

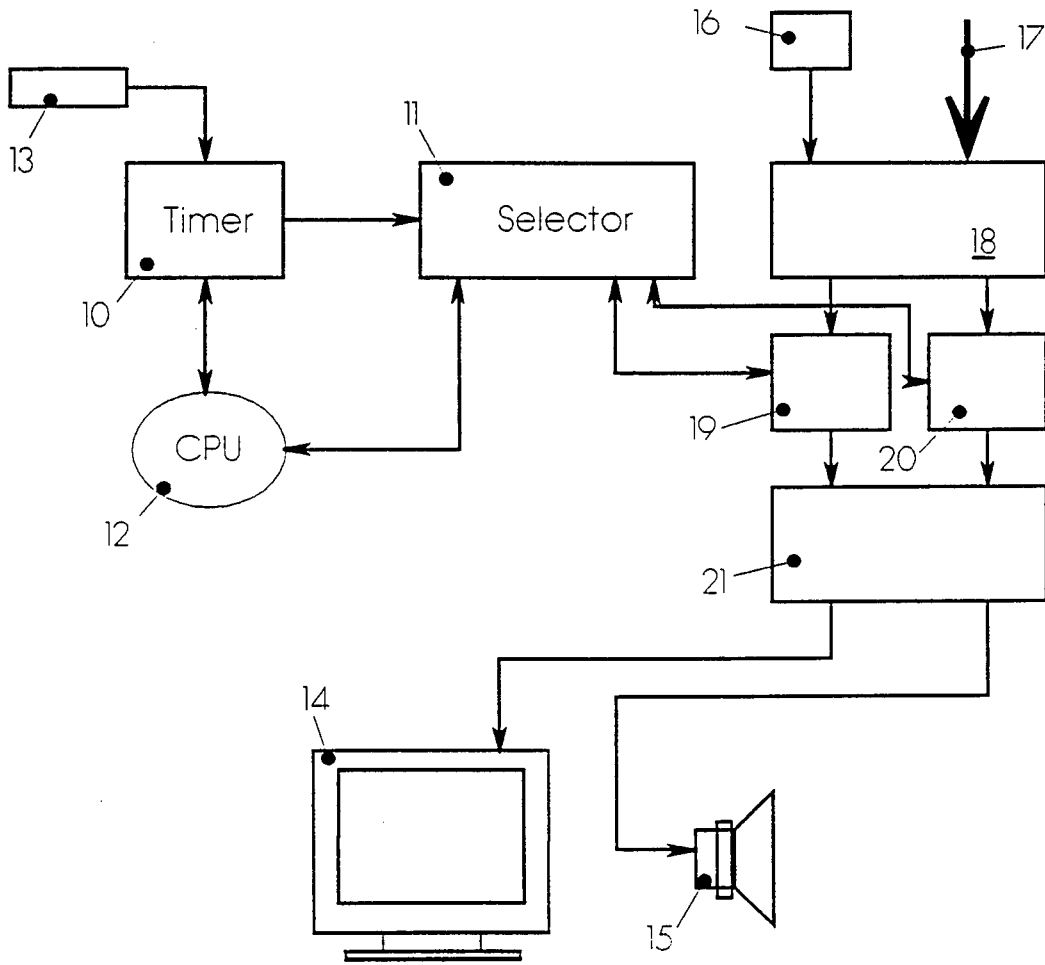


FIG. 1

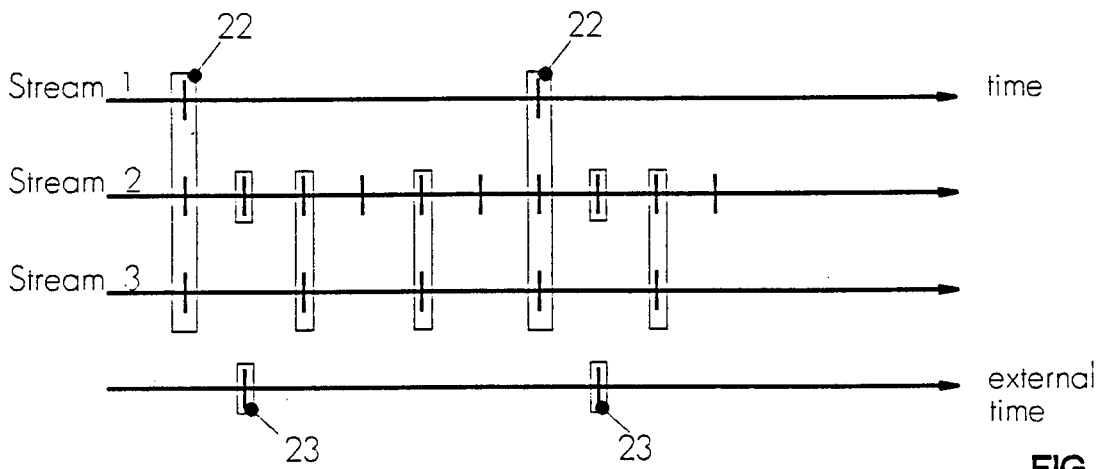


FIG. 2

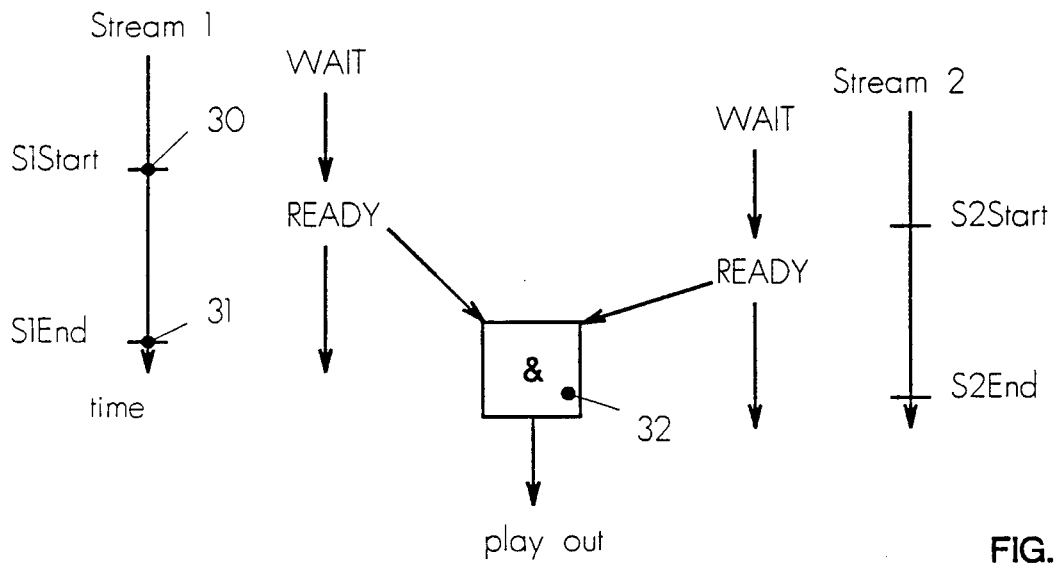


FIG. 3

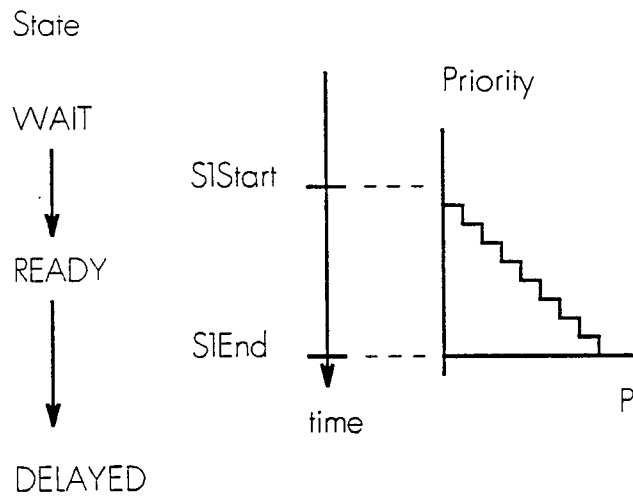
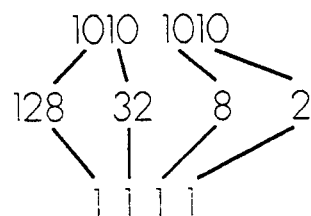


FIG. 4



8-bit Timer

4-bit Priority Field

FIG. 8

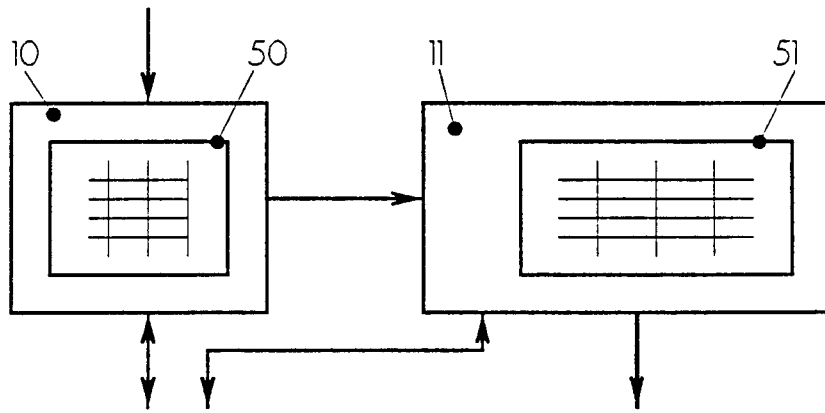


FIG. 5

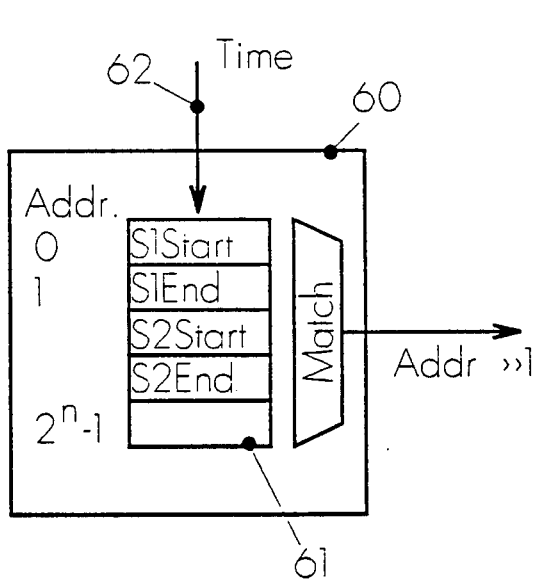


FIG. 6A

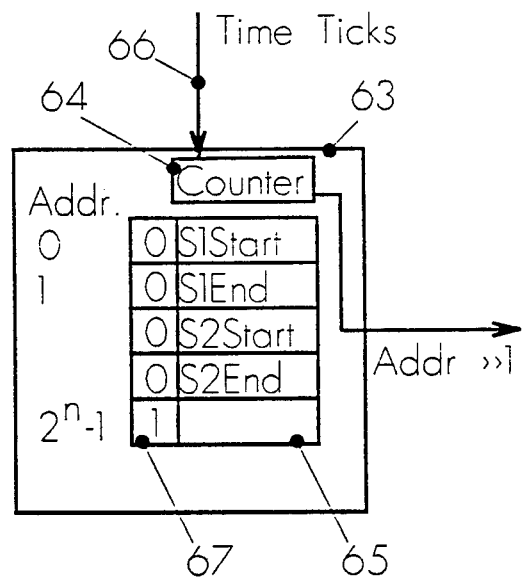


FIG. 6B

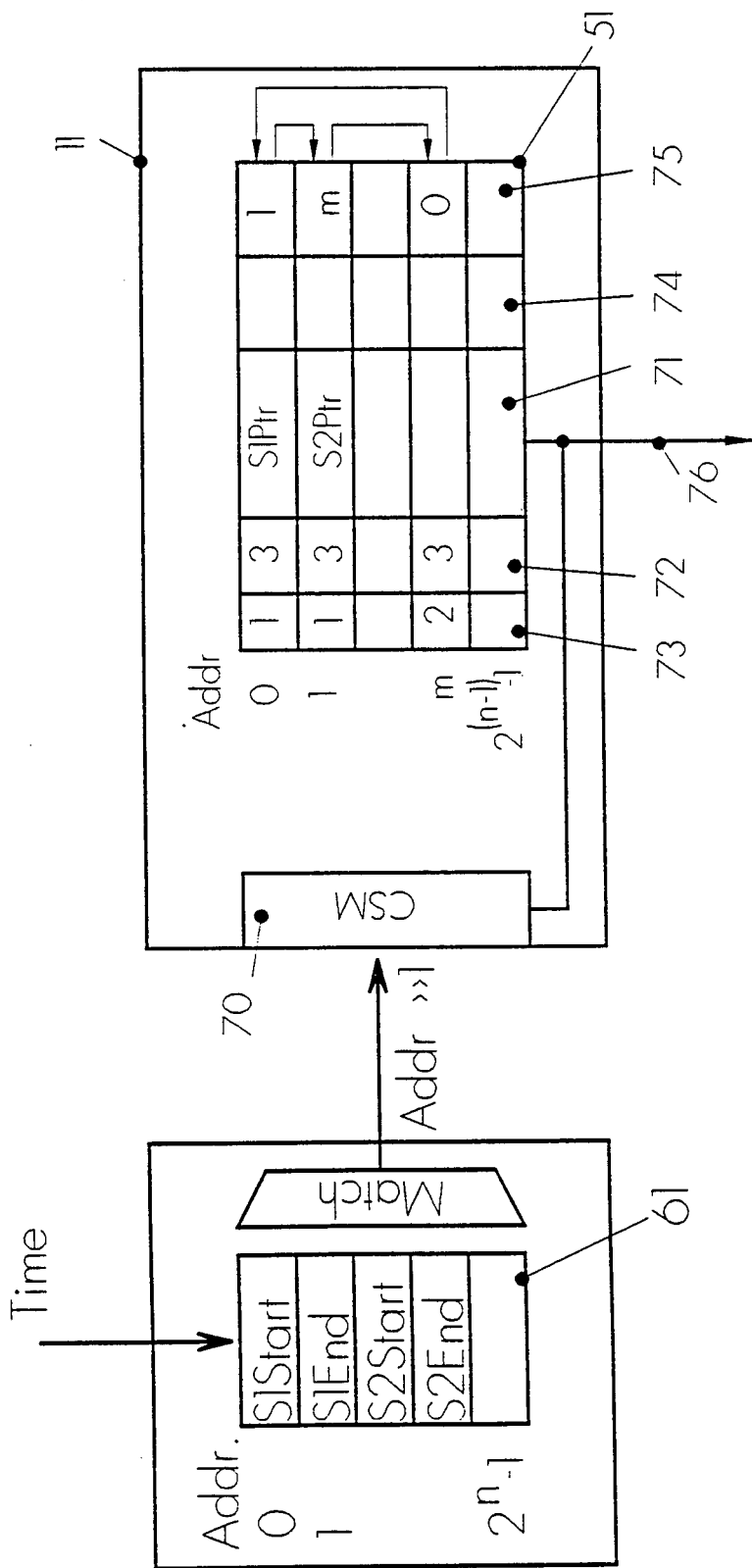


FIG. 7

# INTERNATIONAL SEARCH REPORT

International Application No

PCT/EP 94/00833

A. CLASSIFICATION OF SUBJECT MATTER  
IPC 6 G06F17/30

According to International Patent Classification (IPC) or to both national classification and IPC

B. FIELDS SEARCHED

Minimum documentation searched (classification system followed by classification symbols)

IPC 6 G06F

Documentation searched other than minimum documentation to the extent that such documents are included in the fields searched

Electronic data base consulted during the international search (name of data base and, where practical, search terms used)

C. DOCUMENTS CONSIDERED TO BE RELEVANT

Category °	Citation of document, with indication, where appropriate, of the relevant passages	Relevant to claim No.
A	EP,A,0 239 884 (I.B.M. CORPORATION) 7 October 1987 see the whole document ---	1,8,10
A	EP,A,0 550 197 (I.B.M. CORPORATION) 7 July 1993 see the whole document ---	1,8,10
A	COMPUTER COMMUNICATIONS, vol.16, no.3, March 1993, GUILDFORD GB pages 168 - 176 P.V. RANGAN ET AL. 'Techniques for multimedia synchronization in network file systems' see the whole document ---	1,8,10
-/--		

Further documents are listed in the continuation of box C.

Patent family members are listed in annex.

° Special categories of cited documents :

- "A" document defining the general state of the art which is not considered to be of particular relevance
- "E" earlier document but published on or after the international filing date
- "L" document which may throw doubts on priority claim(s) or which is cited to establish the publication date of another citation or other special reason (as specified)
- "O" document referring to an oral disclosure, use, exhibition or other means
- "P" document published prior to the international filing date but later than the priority date claimed

- "T" later document published after the international filing date or priority date and not in conflict with the application but cited to understand the principle or theory underlying the invention
- "X" document of particular relevance; the claimed invention cannot be considered novel or cannot be considered to involve an inventive step when the document is taken alone
- "Y" document of particular relevance; the claimed invention cannot be considered to involve an inventive step when the document is combined with one or more other such documents, such combination being obvious to a person skilled in the art.
- "&" document member of the same patent family

Date of the actual completion of the international search

10 November 1994

Date of mailing of the international search report

01.12.94

Name and mailing address of the ISA

European Patent Office, P.B. 5818 Patentlaan 2  
NL - 2280 HV Rijswijk  
Tel. (+ 31-70) 340-2040, Tx. 31 651 epo nl,  
Fax: (+ 31-70) 340-3016

Authorized officer

Katerbau, R

**INTERNATIONAL SEARCH REPORT**

Inter. Application No  
PCT/EP 94/00833

C.(Continuation) DOCUMENTS CONSIDERED TO BE RELEVANT

Category	Citation of document, with indication, where appropriate, of the relevant passages	Relevant to claim No.
A	COMPUTER, vol.24, no.10, October 1991, LONG BEACH US pages 51 - 57 D.P. ANDERSON ET AL. 'A continuous media I/O server and its synchronization mechanism' see the whole document ----	1,8,10
A	BYTE, vol.18, no.2, February 1993, LONDON, GB pages 225 - 230 A.W. DAVIS ET AL. 'The Mac goes to the movies' see the whole document -----	1,8,10



# INTERNATIONAL SEARCH REPORT

Information on patent family members

Intern. Patent Application No

PCT/EP 94/00833

Patent document cited in search report	Publication date	Patent family member(s)	Publication date
EP-A-0239884	07-10-87	US-A- 4893256	09-01-90
		DE-D- 3787553	04-11-93
		DE-T- 3787553	11-05-94
		JP-B- 6054469	20-07-94
		JP-A- 62239233	20-10-87
-----			
EP-A-0550197	07-07-93	US-A- 5333299	26-07-94
		CA-A- 2084574	01-07-93
		JP-A- 5265778	15-10-93
-----			