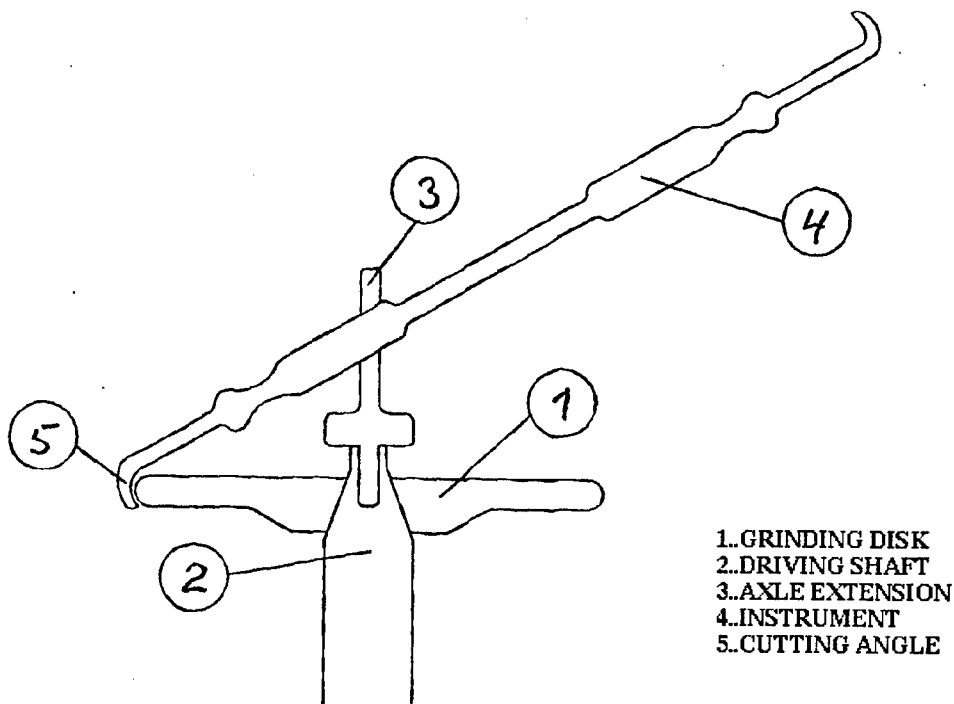




## INTERNATIONAL APPLICATION PUBLISHED UNDER THE PATENT COOPERATION TREATY (PCT)

(51) International Patent Classification <sup>6</sup> : <b>B24B 3/60</b>	<b>A1</b>	(11) International Publication Number: <b>WO 95/05920</b> (43) International Publication Date: 2 March 1995 (02.03.95)
<p>(21) International Application Number: PCT/DK94/00315</p> <p>(22) International Filing Date: 22 August 1994 (22.08.94)</p> <p>(30) Priority Data: 0973/93 27 August 1993 (27.08.93) DK</p> <p>(71)(72) Applicant and Inventor: LYSTAGER, Gregers [DK/DK]; Holmevej 10, DK-2830 Virum (DK).</p>	<p>(81) Designated States: CA, JP, PL, US, European patent (AT, BE, CH, DE, DK, ES, FR, GB, GR, IE, IT, LU, MC, NL, PT, SE).</p> <p><b>Published</b> <i>With international search report. In English translation (filed in Danish).</i></p>	

(54) Title: SHARPENING MACHINE FOR SHARPENING OF CUTTING EDGES OF INSTRUMENTS, E.G. DENTAL INSTRUMENTS



## (57) Abstract

Sharpening machine for sharpening of cutting edges of instruments, e.g. dental instruments. The machine comprises a rotating grinding disk with supports that makes it possible to reproduce inner and outer grinding facets with close accuracy, and where parts to be contaminated can be dismantled for sterilization with no use of tools.

**FOR THE PURPOSES OF INFORMATION ONLY**

Codes used to identify States party to the PCT on the front pages of pamphlets publishing international applications under the PCT.

AT	Austria	GB	United Kingdom	MR	Mauritania
AU	Australia	GE	Georgia	MW	Malawi
BB	Barbados	GN	Guinea	NE	Niger
BE	Belgium	GR	Greece	NL	Netherlands
BF	Burkina Faso	HU	Hungary	NO	Norway
BG	Bulgaria	IE	Ireland	NZ	New Zealand
BJ	Benin	IT	Italy	PL	Poland
BR	Brazil	JP	Japan	PT	Portugal
BY	Belarus	KE	Kenya	RO	Romania
CA	Canada	KG	Kyrgystan	RU	Russian Federation
CF	Central African Republic	KP	Democratic People's Republic of Korea	SD	Sudan
CG	Congo	KR	Republic of Korea	SE	Sweden
CH	Switzerland	KZ	Kazakhstan	SI	Slovenia
CI	Côte d'Ivoire	LI	Liechtenstein	SK	Slovakia
CM	Cameroon	LK	Sri Lanka	SN	Senegal
CN	China	LU	Luxembourg	TD	Chad
CS	Czechoslovakia	LV	Latvia	TG	Togo
CZ	Czech Republic	MC	Monaco	TJ	Tajikistan
DE	Germany	MD	Republic of Moldova	TT	Trinidad and Tobago
DK	Denmark	MG	Madagascar	UA	Ukraine
ES	Spain	ML	Mali	US	United States of America
FI	Finland	MN	Mongolia	UZ	Uzbekistan
FR	France			VN	Viet Nam
GA	Gabon				

## Sharpening machine

### for sharpening of cutting edges of instruments, e.g. dental instruments

The invention refers to an apparatus of the in the introduction of **Claim 1** described  
5 type. From the United States Patent Application No. 1,556,471 a similar apparatus  
is known. This well-known apparatus is suitable for sharpening the edges of  
instruments with outer cutting edges. However, it is not possible to sharpen  
instruments with inner, curved cutting edges of different cutting angles. The  
reproduction of the outer grinding angles is also doubtful, as it is not stated where  
10 to place the cutting edge on the grinding disk during the grinding process. The  
requirements of hygiene in connection with e.g. dental instruments cannot be met by  
this well-known technique, either. The purpose of the invention is to present an  
apparatus of the above mentioned well-known type, but by which the disadvantages  
of the well-known technique are rectified.

15 According to the invention this is obtained by an apparatus, which is characteristic  
of what is stated in the characterizing part of **Claim 1**.

By designing the apparatus this way the adjustment of the distance of the instrument  
from the axis of rotation makes it possible to grind the inner cutting edge by an  
20 arbitrary wedge angle.

By designing the extended axle, as described in **Claim 2**, a support is obtained, by  
which a specific wedge angle can be reproduced very simply by choosing a suitable  
diameter of the shaft extension.

25 The in **Claim 3** described design makes it possible to extend the axle of the grinding  
disk in a very simple way.

By designing the apparatus as described in **Claim 4**, the entire parts of the apparatus  
30 can be dismantled to be sterilized and remounted in a simple way.

The in **Claim 5** described design of the grinding disk is especially advantageous,  
because it ensures an acceptable rotation without twisting (uneven running), which  
is very important especially for dental instruments with inner cutting edges. By  
35 removal of tartar and smoothening of root cement it is important that the cutting edge  
is sharp and regular with no cuts or grinding checks.

The in **Claim 6** described placement of the instrument above the diagonal line of the  
grinding disk makes it possible with close accuracy of repetition to sharpen the  
40 cutting edge of the outer sharpened facet.

The in **Claim 7** described design makes it possible to start the grinding process very  
advantageously without touching the apparatus itself. Consequently, the risk of  
contamination is minimized, when the grinding process is carried out during the  
45 treatment of patients.

The invention will be further explained below, with reference to the drawings,  
described in the following:

50 **Fig. 1** shows the grinding disk mounted on the driving shaft, displayed from the side  
with an shaft extension, which is to set off the instrument in relation to the diagonal  
line of the grinding disk.

**Fig. 2** shows that the radius of the grinding disk is shorter than the radius of  
55 curvature of the instrument.

**Fig. 3** shows the grinding disk seen from above with the extended axle, providing the offset angle in relation to the diagonal angle. The larger displacement, the larger angle.

60

**Fig. 4** shows the sharpener displayed from the side, an instrument to be sharpened being placed on the outer facet of the cutting angle, the surface making up the clearance angle. The instrument is supported by a support sheet that is activating the direction of rotation.

65

**Fig. 5** shows an enlargement of the same as Fig. 4, and the cutting edge is placed in the diagonal line, when the instrument is placed against the diagonal stop.

70

**Fig. 6** shows the grinding disk seen from above with the instrument placed for outer grinding. The grinding direction is chosen individually.

**Word list**

1. Grinding disk
2. Driving shaft
3. Shaft extension
4. Instrument
5. Cutting angle
6. Radius of grinding disk
7. Outer cutting edge
8. Support sheet
9. Sensor
10. Support point
11. Diagonal line
12. "Off set" distance = angle
13. Point of fixation
14. Diagonal stop

**Patent claims**

Sharpening machine for sharpening of cutting edges of instruments, e.g. dental instruments, and of a type provided with a rotatable grinding disk mounted on a vertical axle, including an essential upwards turned grinding surface and a support sheet, against which the instrument can be supported without hinderance in a chosen angle in relation to the disk, when the cutting edge of the instrument is placed above the diagonal line of the grinding disk, while the instrument is in touch with the grinding part of the disk.

1. The apparatus according to **Claim 1** is characterized by the fact that the axle of the grinding disk can be extended above the plane surface of the disk and form a support of the instrument, the longitudinal axle of the instrument being displaced radially away from the axis of rotation, and by the fact that moreover the grinding disk is designed with a grinding periphery, which in an axial cut has a circular cross section with a radius that is shorter than the radius of curvature of the cutting edge of the instrument.
2. The apparatus according to **Claim 2** is characterized by the fact that the support is formed by a shaft extension, which decides the wedge angle by its diameter.
3. The apparatus according to **Claim 3** is characterized by the fact that the shaft extension is mounted in the hub bore of the grinding disk in extension of a driving shaft.
4. The apparatus according to **Claim 4** is characterized by the fact that the grinding disk and instrument support of any kind that are to be

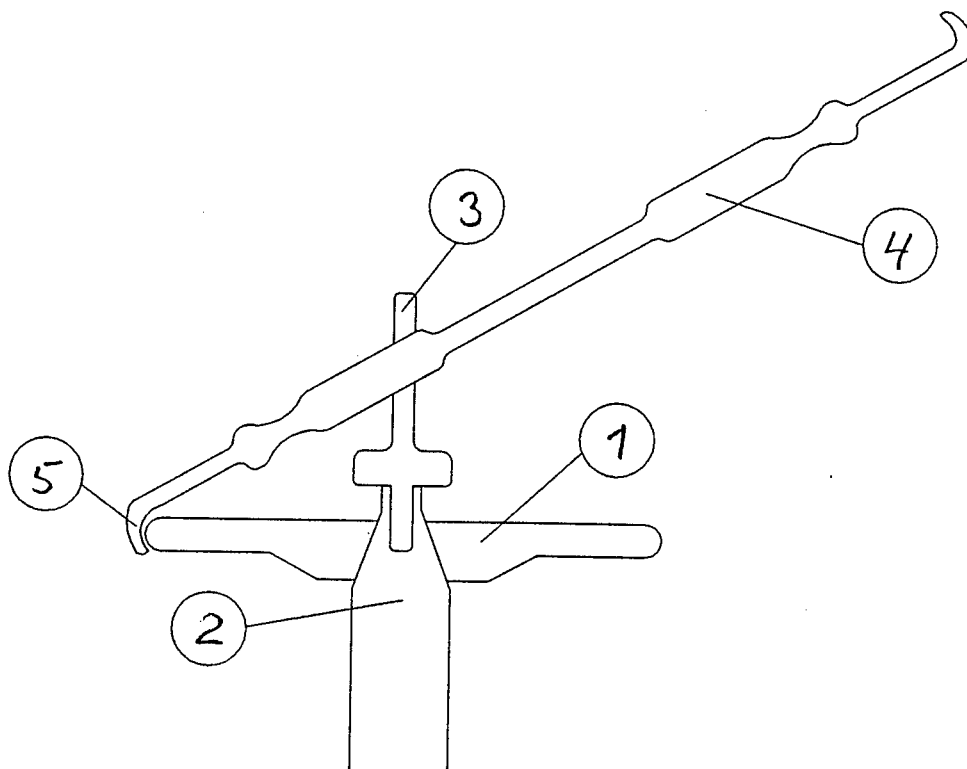
contaminated while being used and consequently has to be sterilized, can be mounted and dismounted using no tools or fastening device on the connection point.

5. The apparatus according to **Claim 5** is characterized by the fact that the lower part of the hub bore of the grinding disk is conically divergent against the under side of the latter and constructed to cooperate with a complementarily designed end part of the driving shaft.
6. The apparatus according to **Claim 6** is characterized by having a diagonal stop, which secures the reproduction ability by grinding of the outer cutting facet, when the handle of the instrument is placed in a chosen support point and at the same time is in touch with the diagonal stop.
7. The apparatus according to **Claim 7** is characterized by the fact that the grinding disk is activated in the correct direction of rotation, when the handle of the instrument is placed in the support sheet, to avoid formation of burrs on the cutting edge.



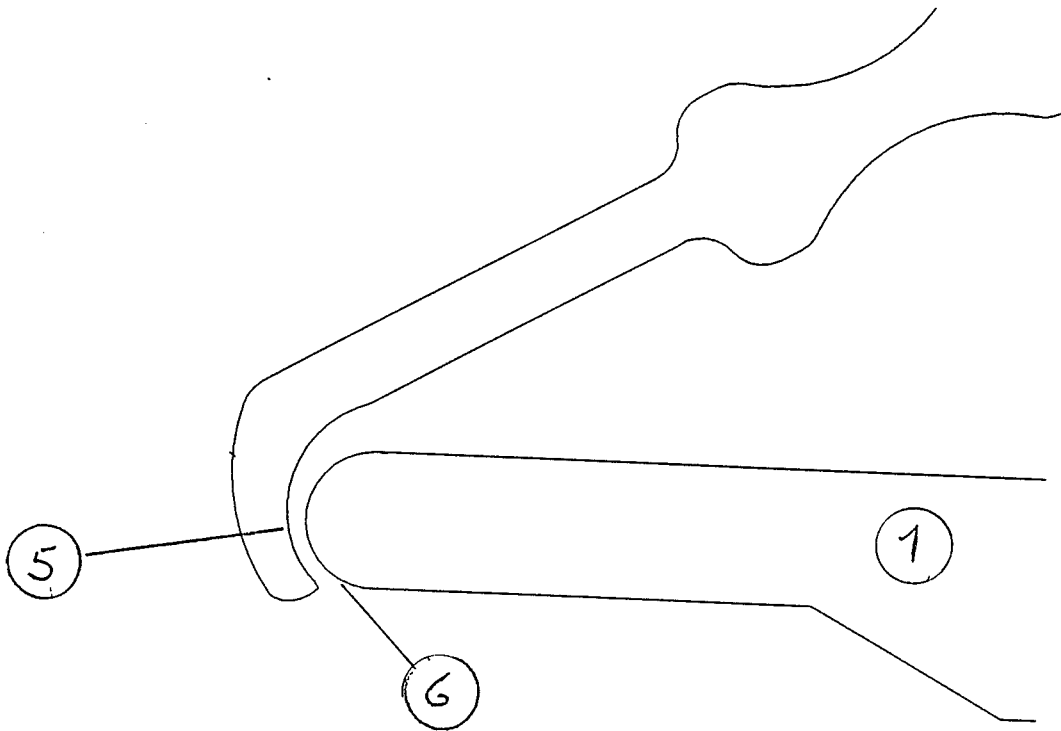
**Fig. 1**

1. Grinding disk
2. Driving shaft
3. Axle extension
4. Instrument
5. Cutting angle



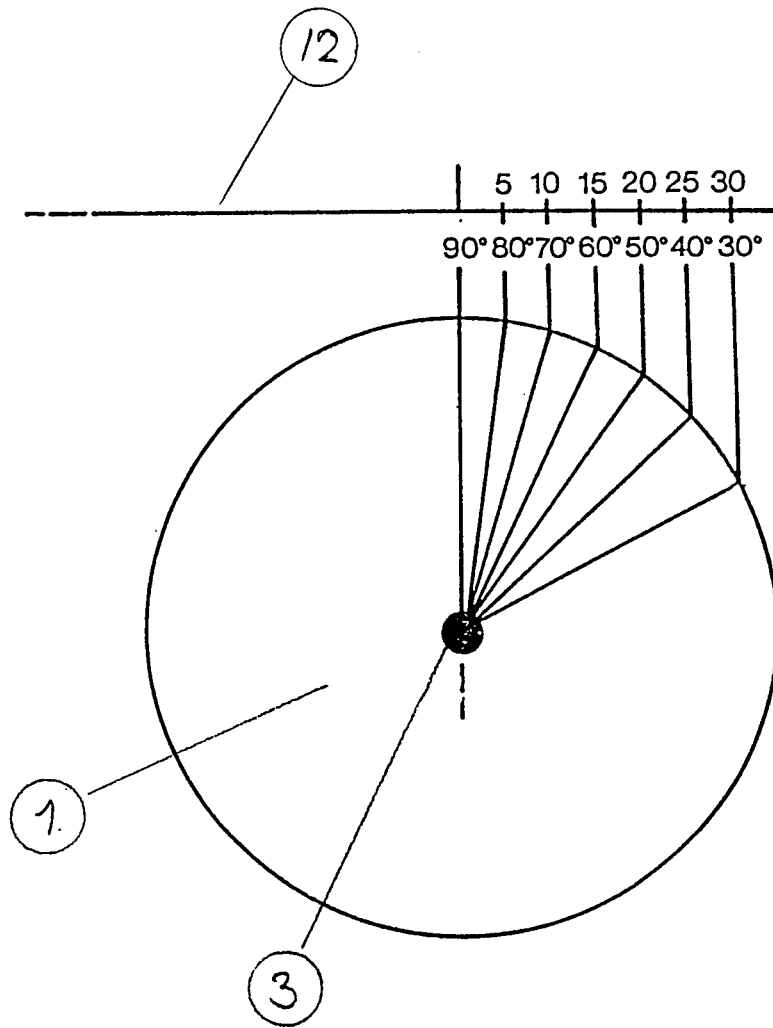
**Fig. 2**

1. Grinding disk
5. Cutting angle
6. Radius of grinding disk



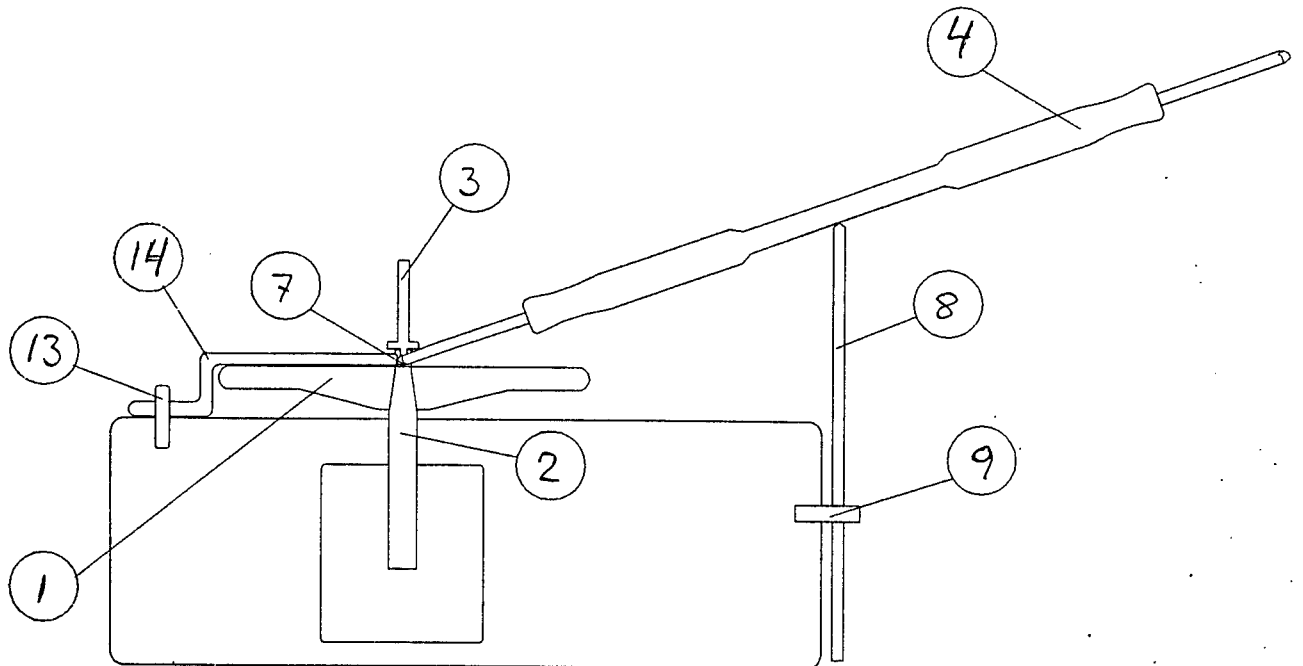
# Fig. 3

- 1. Grinding disk
- 2. Shaft extension
- 12. "Off set" distance = angle



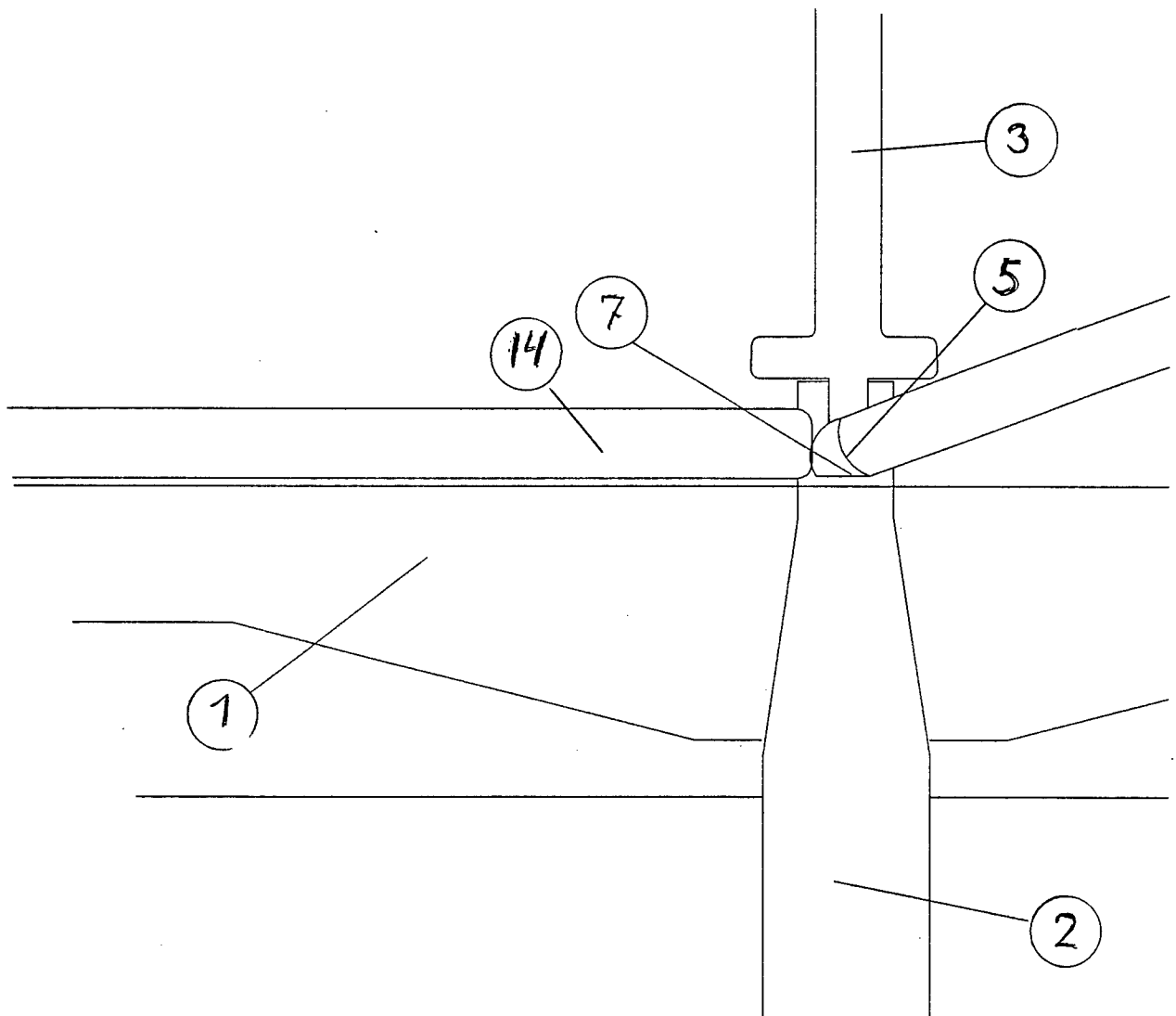
**Fig. 4**

1. Grinding disk
2. Driving shaft
3. Shaft extension
4. Instrument
7. Outer cutting edge
8. Support sheet
9. Sensor
13. Point of fixation
14. Diagonal stop



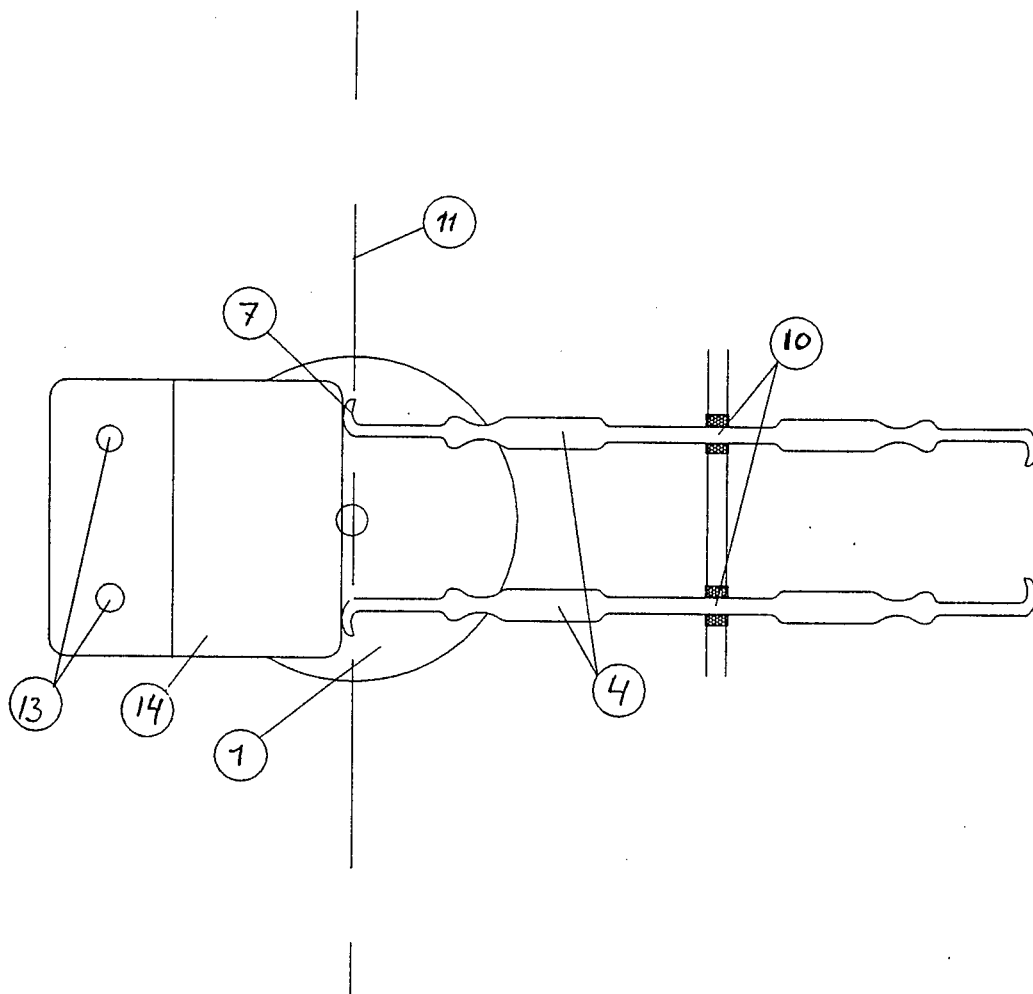
**Fig. 5**

1. Grinding disk
2. Driving shaft
3. Shaft extension
5. Cutting angle
7. Outer cutting edge
14. Diagonal stop



**Fig. 6**

- 1. Grinding disk
- 4. Instrument
- 7. Outer cutting edge
- 10. Support point
- 11. Diagonal line
- 13. Point of fixation
- 14. Diagonal stop



## INTERNATIONAL SEARCH REPORT

International application No.

PCT/DK 94/00315

<b>A. CLASSIFICATION OF SUBJECT MATTER</b>		
IPC6: B24B 3/60 According to International Patent Classification (IPC) or to both national classification and IPC		
<b>B. FIELDS SEARCHED</b>		
Minimum documentation searched (classification system followed by classification symbols)		
IPC6: A61C, B24B		
Documentation searched other than minimum documentation to the extent that such documents are included in the fields searched		
SE,DK,FI,NO classes as above		
Electronic data base consulted during the international search (name of data base and, where practicable, search terms used)		
ORBIT		
<b>C. DOCUMENTS CONSIDERED TO BE RELEVANT</b>		
Category*	Citation of document, with indication, where appropriate, of the relevant passages	Relevant to claim No.
A	US, A, 1556471 (EDWIN MERRITT ANDRUS), 6 October 1925 (06.10.25) --	1
A	US, A, 1659687 (WILLIAM G. HART), 21 February 1928 (21.02.28) --	1-3
A	US, A, 2271810 (THOMAS J. WALDRON), 3 February 1942 (03.02.42) --	1
A	US, A, 2578309 (ANTON M. KROCZEK), 11 December 1951 (11.12.51), column 1, line 1 - line 23, figures 1-5 --	1
<input checked="" type="checkbox"/> Further documents are listed in the continuation of Box C. <input checked="" type="checkbox"/> See patent family annex.		
* Special categories of cited documents: "A" document defining the general state of the art which is not considered to be of particular relevance "E" earlier document but published on or after the international filing date "L" document which may throw doubts on priority claim(s) or which is cited to establish the publication date of another citation or other special reason (as specified) "O" document referring to an oral disclosure, use, exhibition or other means "P" document published prior to the international filing date but later than the priority date claimed "T" later document published after the international filing date or priority date and not in conflict with the application but cited to understand the principle or theory underlying the invention "X" document of particular relevance: the claimed invention cannot be considered novel or cannot be considered to involve an inventive step when the document is taken alone "Y" document of particular relevance: the claimed invention cannot be considered to involve an inventive step when the document is combined with one or more other such documents, such combination being obvious to a person skilled in the art "&" document member of the same patent family		
Date of the actual completion of the international search		Date of mailing of the international search report
9 November 1994		05 -12- 1994
Name and mailing address of the ISA/ Swedish Patent Office Box 5055, S-102 42 STOCKHOLM Facsimile No. +46 8 666 02 86		Authorized officer  Allan Westrin Telephone No. +46 8 782 25 00

## INTERNATIONAL SEARCH REPORT

International application No.  
PCT/DK 94/00315

C (Continuation). DOCUMENTS CONSIDERED TO BE RELEVANT		
Category*	Citation of document, with indication, where appropriate, of the relevant passages	Relevant to claim No.
A	US, A, 4773186 (NORIO KOJIMA), 27 Sept 1988 (27.09.88), column 3, line 20 - column 5, line 40, figures 1-6  --	1,6
A	DE, C, 3934365 (SCHMITZ, BERTHOLD), 28 February 1991 (28.02.91), column 3, line 10 - line 14, figures 1-11, abstract  -- -----	1



## INTERNATIONAL SEARCH REPORT

Information on patent family members

01/10/94

International application No.

PCT/DK 94/00315

Patent document cited in search report	Publication date	Patent family member(s)	Publication date
US-A- 1556471	06/10/25	NONE	
US-A- 1659687	21/02/28	NONE	
US-A- 2271810	03/02/42	NONE	
US-A- 2578309	11/12/51	NONE	
US-A- 4773186	27/09/88	DE-A- 3721013	14/01/88
		DE-U- 8708834	20/08/87
		JP-A- 63015947	23/01/88
DE-C- 3934365	28/02/91	NONE	