



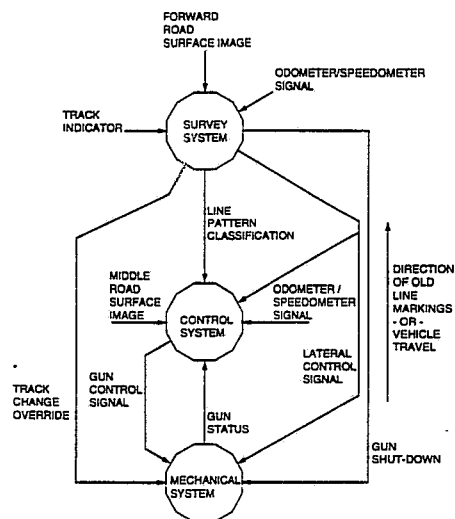
INTERNATIONAL APPLICATION PUBLISHED UNDER THE PATENT COOPERATION TREATY (PCT)

<p>(51) International Patent Classification⁵ : E01C 23/16</p>	<p>A1</p>	<p>(11) International Publication Number: WO 93/18236 (43) International Publication Date: 16 September 1993 (16.09.93)</p>
<p>(21) International Application Number: PCT/AU93/00091 (22) International Filing Date: 4 March 1993 (04.03.93) (30) Priority data: PL 1237 6 March 1992 (06.03.92) AU (71) Applicant (for all designated States except US): ROADS CORPORATION [AU/AU]; 60 Denmark Street, Kew, VIC 3101 (AU). (72) Inventors; and (75) Inventors/Applicants (for US only) : SMYRK, John [AU/AU]; Sigma Management Science PTY., LTD., P.O. Box 647, Dee Why, NSW 2099 (AU). LOUGHRON, Alan [AU/AU]; 7 Clive Street, Murrumbena, VIC 3163 (AU). SIROKY, Dennis [AU/AU]; 11 Glamis Avenue, Hampton, VIC 3188 (AU).</p>		<p>(74) Agent: WATERMARK; 2nd Floor, The Atrium, 290 Burwood Road, Hawthorn, VIC 3122 (AU). (81) Designated States: AU, CA, JP, KR, NZ, SK, US, European patent (AT, BE, CH, DE, DK, ES, FR, GB, GR, IE, IT, LU, MC, NL, PT, SE). Published <i>With international search report.</i></p>

(54) Title: CONTROL APPARATUS FOR LINE MARKING MACHINES

(57) Abstract

The present application discloses control apparatus for controlling application of line marking material to refurbish an old line pattern on a pavement surface, said control apparatus comprising a first line detector mounted in use at a forward position whereby a first predetermined width of said pavement surface substantially greater than said old pattern width is transverse scanned with information indicative of said old line pattern viewed by said first line detector being retained over a first predetermined length of said pavement surface in the direction of said old line pattern, a second line detector mounted in use rearwardly of said first line detector, said second line detector in use being arranged to transverse scan a second predetermined width of said pavement surface substantially greater than the width of said old line pattern with information indicative of said old line pattern viewed by said second line detector being retained over a second predetermined length of said pavement surface in the direction of said old line pattern, said first line detector producing a lateral shift control signal indicative of lateral shift of said old line pattern as sensed with said lateral shift control signal being adapted to control lateral movement of line marking material applicator to correctly deposit said line marking material over lines forming said old line pattern, said first line detector further recognising, preferably by a neural network, transition points in said old line pattern and providing signal indicative of said transition points to said second line detector, said second line detector including a transition detector which receives the signal indicative of transition points from said first line detector and information from the transverse scan of said second line detector and in response thereto provides a control signal to control on/off conditions of said line marking material applicator.



FOR THE PURPOSES OF INFORMATION ONLY

Codes used to identify States party to the PCT on the front pages of pamphlets publishing international applications under the PCT.

AT	Austria	FR	France	MR	Mauritania
AU	Australia	GA	Gabon	MW	Malawi
BB	Barbados	GB	United Kingdom	NL	Netherlands
BE	Belgium	GN	Guinea	NO	Norway
BF	Burkina Faso	GR	Greece	NZ	New Zealand
BG	Bulgaria	HU	Hungary	PL	Poland
BJ	Benin	IE	Ireland	PT	Portugal
BR	Brazil	IT	Italy	RO	Romania
CA	Canada	JP	Japan	RU	Russian Federation
CF	Central African Republic	KP	Democratic People's Republic of Korea	SD	Sudan
CG	Congo	KR	Republic of Korea	SE	Sweden
CH	Switzerland	KZ	Kazakhstan	SK	Slovak Republic
CI	Côte d'Ivoire	LJ	Liechtenstein	SN	Senegal
CM	Cameroon	LK	Sri Lanka	SU	Soviet Union
CS	Czechoslovakia	LU	Luxembourg	TD	Chad
CZ	Czech Republic	MC	Monaco	TG	Togo
DE	Germany	MG	Madagascar	UA	Ukraine
DK	Denmark	ML	Mali	US	United States of America
ES	Spain	MN	Mongolia	VN	Viet Nam
FI	Finland				

CONTROL APPARATUS FOR LINE MARKING MACHINES

The present invention relates generally to apparatus for applying lines of desired configuration onto a roadway or pavement surface and more particularly to apparatus for controlling application of paint or other line marking materials to accurately repeat previously formed lines on the roadway or pavement surface.

Roadway or pavement marking lines (either centre lines or margin lines) inevitably wear out over time and the rehabilitation of these marking lines is a task that must be continually carried out by roadway maintenance organisations. The length of roadways in many countries including Australia result in a need for machinery that can accurately reform old line markings at relatively high speed so that costs can be minimised. There are in fact many difficulties involved in being able to accurately reform old making lines at high speed and some of these include difficulties with distinguishing the old line itself caused by extraneous road markings such as changes in road surface colouring, shadows, unusual colouring areas such as oil or paint splashes, and simply in some cases as a result of extreme wear of the old line. Moreover, changes in pattern configurations also cause difficulties for continuous high speed reforming of old lines.

In prior patent literature there have been disclosed many proposals for mechanising reforming of old pavement lines. Some of these are disclosed in US Patent Nos. 3046854, 3101175, 3286929 and 3298352, all of which would have various problems associated with being able to distinguish old line markings, to be able to accurately repeat those old line markings and more particularly, to handle changes in line patterns. In United States Patent No. 5,054,959 there is disclosed apparatus for distinguishing old line markings on a roadway surface and in response thereto, correctly positioning paint applicator guns so that paint could be applied correctly over the old line markings. This apparatus has been used successfully but certain difficulties have arisen in relation to recognition of old line markings including pattern changes in those markings, particularly when operating at high speed.

The objective therefore of the present invention is to provide improvements in control apparatus for machinery of the type generally disclosed

in US Patent No. 5,054,959 to improve recognition of old line markings and particularly changes in pattern formats in those line markings. Preferably it is an objective of the present invention to enable operational speeds to be improved by improved old line and line pattern recognition.

5 According to a first aspect of the present invention there is provided in control apparatus for controlling application of line marking to refurbish an old line pattern on a pavement surface, said control apparatus including at least one line detection means adapted in use to transverse scan a predetermined width of said pavement surface substantially greater than a width of said old line
10 pattern while being carried forwardly in the direction of said old line pattern, said line detection means including pattern transition detector means taught through a neural network to recognise line pattern changes and in response thereto, control line marking material applicator means to repeat accurately said line pattern changes.

15 According to a further aspect of the present invention, there is provided control apparatus for controlling application of line marking material to refurbish an old line pattern on a pavement surface, said control apparatus comprising a first line detection means adapted to be mounted in use at a forward position whereby a first predetermined width of said pavement surface substantially
20 greater than said old pattern width is transverse scanned with information indicative of said old line pattern viewed by said first line detection means being retained over a first predetermined length of said pavement surface in the direction of said old line pattern, a second line detection means adapted to be mounted in use rearwardly of said first line detection means, said second line
25 detection means being in use arranged to transverse scan a second predetermined width of said pavement surface substantially greater than the width of said old line pattern with information indicative of said old line pattern viewed by said second line detection means being retained over a second predetermined length of said pavement surface in the direction of said old line
30 pattern, said first line detection means further recognising transition points in said old line pattern, said first line detection means further recognising transition points in said old line pattern and providing a signal indicative of said transition

points to said second line detection means, said second line detection means including transition detector means which receives the signal indicative of transition points from said first line detection means and information from the transverse scan of said second line detection means and in response thereto
5 provides control signal means to control on/off conditions of said line marking material applicator means.

According to a still further aspect of the present invention, there is provided control apparatus for controlling application of line marking material to refurbish an old line pattern on a pavement surface, said control apparatus
10 comprising a first line detection means adapted to be mounted in use at a forward position whereby a first predetermined width of said pavement surface substantially greater than said old pattern width is transverse scanned with information indicative of said old line pattern viewed by said first line detection means being retained over a first predetermined length of said pavement
15 surface in the direction of said old line pattern, a second line detection means adapted to be mounted in use rearwardly of said first line detection means, said second line detection means in use being arranged to transverse scan a second predetermined width of said pavement surface substantially greater than the width of said old line pattern with information indicative of said old line pattern
20 viewed by said second line detection means being retained over a second predetermined length of said pavement surface in the direction of said old line pattern, said first line detection means producing a lateral shift control signal indicative of lateral shift of said old line pattern as sensed with said lateral shift control signal being adapted to control lateral movement of line marking material
25 applicator means to correctly deposit said line marking material over lines forming said old line pattern, said first line detection means further recognising transition points in said old line pattern and providing a signal indicative of said transition points to said second line detection means, said second line detection means including transition detector means which receives the signal indicative
30 of transition points from said first line detection means and information from the transverse scan of said second line detection means and in response thereto

provides control signal means to control on/off conditions of said line marking material applicator means.

Preferably the first predetermined length of scanned pavement surface is substantially greater than said second predetermined length. Conveniently said
5 first predetermined length is about five metres in length. The first predetermined width and the second predetermined widths may be equal or they may be different however, they are preferably between about 400 mm and 1.2 metres, conveniently about 500 mm.

The present invention of course includes within its scope apparatus for
10 applying line marking materials to old line patterns including control apparatus as aforesaid carried by a vehicle or the like with line marking material applicator means located rearwardly of the second line detection means. The applicator means may be constructed as described in US Patent No. 5,054,959 or any other suitable means could be used. The line marking material might be liquid
15 paint including solvent based paints or water based paints, thermally or cold applied plastic strip in one part or two component mix, or any other suitable material for refurbishing old lines.

A preferred embodiment will hereinafter be described with reference to the accompanying schematic diagrams, in which:

20 Figure 1 represents an information flow diagram in a preferred form of control apparatus according to the present invention;

Figure 2 represents schematically operation of a survey system line detection apparatus forming part of the system illustrated in Figure 1;

Figure 3 represents schematically operation of a control system line
25 detection apparatus forming a further part of the system illustrated in Figure 1, and

Figure 4 represents schematically operation of a mechanical system controlled by the control system for correctly actuating the line marking material applicators.

30 Apparatus according to the present invention may be mounted on or from a suitable vehicle such as a truck or the like capable of carrying quantities of line marking materials to refurbish lines on a desired length of roadway or pavement

surface. The form of mounting may include a forwardly mounted and extending boom such as in US Patent No. 5,054,959, but other carrying arrangements might also be used. The control apparatus conveniently includes a forwardly located survey system, a mid located control system (relative to vehicle travel/old
5 line pattern direction), both of which are used to control a rearwardly located mechanical system for positioning and controlling application of the line marking material. Preferably, visual left and right trajectory guides are provided capable of being viewed by the driver of the vehicle so that the driver may conveniently locate the vehicle during high speed operation so that the old line pattern on the
10 pavement surface passes within a predetermined operational width defined by the survey system.

The survey system includes a forwardly (in use) mounted CCD camera which is generally sensitive to the overall pattern of the old line markings in the pavement surface. The CCD camera of the survey system is driven from the
15 carrying vehicles transmission (or is otherwise responsive to speed of operation of the carrying vehicle), and acquires a transverse line scan repeatedly over short discrete lengths of road surface, for example, every five mm. The optics and mounting geometry of the CCD camera of the survey system map repeated transverse line scans to approximately half a metre of road surface width. The
20 survey system further includes an image manager that buffers and aggregates the CCD camera pixels into an array, 13 across (transverse) by 5 in the direction of vehicle travel. Each of these pixels may be about 40 mm wide (giving a transverse scan of 520 mm total) and about 1 metre long (giving a longitudinal scan of about 5 metres total).

25 The survey system also includes a lateral compensator which compresses a copy of the aforesaid pixel array into an array of 13 across and one (1) longitudinally. This is achieved by averaging along each column of the five by one metre pixels. The lateral compensator has conveniently been taught, through a neural network, to recognise lateral drift of the road surface image and
30 to compensate for such lateral drift. The signal from the lateral compensator is applied both to the mechanical system and to the image classifier of the survey system to rotate left/right so that they are laterally central to their respective pixel

frames. The image classifier has been taught (through a neural network) to classify transitions from one paint pattern to the next in an old pattern on the roadway surface. Transitions are defined by a state-transition diagram. Any transition detected by the survey system is signalled ahead to the control system
5 so that it knows what kind of transition to look for.

As indicated above, the lateral compensation signal is also passed to the mechanical system which moves the line marking material applicator means left or right to position the line marking material applicator means correctly over the old line (or lines).

10 At any time, the current track is indicated by a setting manually input by the driver (or operator). This determines which line material applicator (paint supply gun in the case of liquid paint being applied) is in operation for a single paint line (either continuous or intermittent). If a wrong track is detected by the survey system, it issues an override signal which switches off the applicators
15 temporarily and connects the tracking by repositioning the carriage carrying the applicators (see for example US Patent No. 5,054,959). Furthermore, the lateral compensator can recognise paint images at the extremities of the CCD camera field of view. It will then issue an emergency shut down signal to the applicators (paint guns).

20 Referring now to Figure 4, the control system comprises a CCD camera, driven from the vehicle transmission (or some other vehicle speed controlled input) and acquires a transverse line scan approximately every 5 mm. The optics and mounting geometry map a transverse line scan to approximately half a metre of road width. The control system includes an image manager that
25 buffers and aggregates the CCD pixels into an array 13 across by 10 along the direction of travel. Each pixel in the array may be approximately 40 mm wide giving a total width in the array of 520 mm and 30 mm long giving an approximate length of the array of 300 mm. The incoming lateral compensation signal causes images in the Transition Detector to rotate left/right so that they
30 are laterally central to their pixel frame.

The Transition Detector has been taught (through a Neural Network) to recognise the exact point at which a transition occurs between one line pattern

THE CLAIMS DEFINING THE INVENTION ARE AS FOLLOWS:

1. In control apparatus for controlling application of line marking to refurbish an old line pattern on a pavement surface, said control apparatus including at least one line detection means adapted in use to transverse scan a predetermined width of said pavement surface substantially greater than a width of said old line pattern while being carried forwardly in the direction of said old line pattern, said line detection means including pattern transition detector means taught through a neural network to recognise line pattern changes and in response thereto, control line marking material applicator means to repeat accurately said line pattern changes.
2. In control apparatus according to Claim 1, wherein first and second said line detection means is provided, said first line detection means adapted to be mounted in use at a forward position whereby a first predetermined width of said pavement surface substantially greater than said old pattern width is transverse scanned with information indicative of said old line pattern viewed by said first line detection means being retained over a first predetermined length of said pavement surface in the direction of said old line pattern, said second line detection means being mounted in use rearwardly of said first line detection means, said second line detection means being in use arranged to transverse scan a second predetermined width of said pavement surface substantially greater than the width of said old line pattern with information indicative of said old line pattern viewed by said second line detection means being retained over a second predetermined length of said pavement surface in the direction of said old line pattern, said first line detection means further recognising transition points in said old line pattern, said first line detection means further recognising transition points in said old line pattern and providing a signal indicative of said transition points to said second line detection means, said second line detection means including transition detector means which receives the signal indicative of transition points from said first line detection means and information from the transverse scan of said second line detection means and in response thereto

provides control signal means to control on/off conditions of said line marking material applicator means.

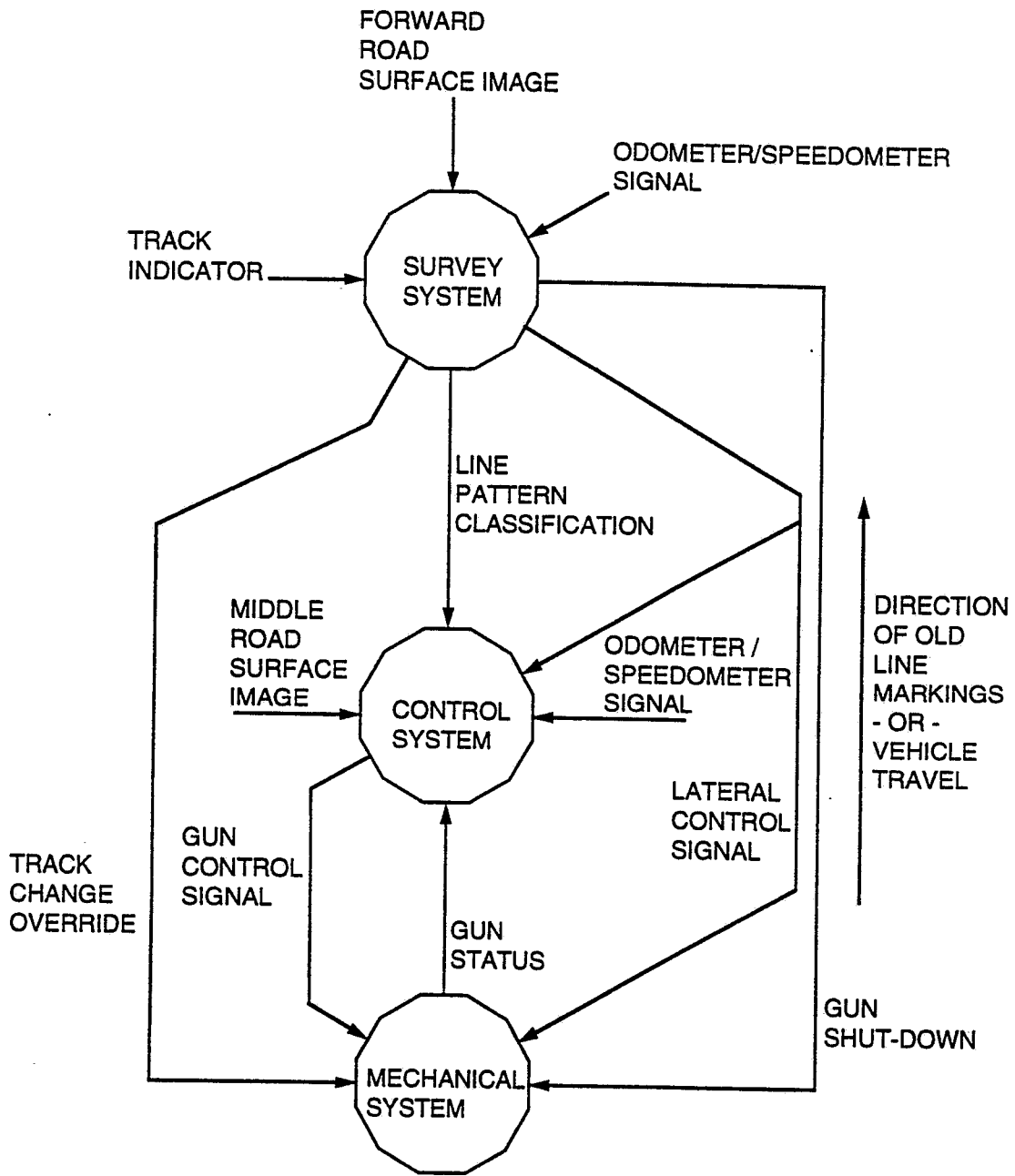
3. Control apparatus for controlling application of line marking material to refurbish an old line pattern on a pavement surface, said control apparatus comprising a first line detection means adapted to be mounted in use at a forward position whereby a first predetermined width of said pavement surface substantially greater than said old pattern width is transverse scanned with information indicative of said old line pattern viewed by said first line detection means being retained over a first predetermined length of said pavement surface in the direction of said old line pattern, a second line detection means adapted to be mounted in use rearwardly of said first line detection means, said second line detection means being in use arranged to transverse scan a second predetermined width of said pavement surface substantially greater than the width of said old line pattern with information indicative of said old line pattern viewed by said second line detection means being retained over a second predetermined length of said pavement surface in the direction of said old line pattern, said first line detection means further recognising transition points in said old line pattern, said first line detection means further recognising transition points in said old line pattern and providing a signal indicative of said transition points to said second line detection means, said second line detection means including transition detector means which receives the signal indicative of transition points from said first line detection means and information from the transverse scan of said second line detection means and in response thereto provides control signal means to control on/off conditions of said line marking material applicator means.

4. Control apparatus for controlling application of line marking material to refurbish an old line pattern on a pavement surface, said control apparatus comprising a first line detection means adapted to be mounted in use at a forward position whereby a first predetermined width of said pavement surface substantially greater than said old pattern width is transverse scanned with

information indicative of said old line pattern viewed by said first line detection means being retained over a first predetermined length of said pavement surface in the direction of said old line pattern, a second line detection means adapted to be mounted in use rearwardly of said first line detection means, said second line detection means in use being arranged to transverse scan a second predetermined width of said pavement surface substantially greater than the width of said old line pattern with information indicative of said old line pattern viewed by said second line detection means being retained over a second predetermined length of said pavement surface in the direction of said old line pattern, said first line detection means producing a lateral shift control signal indicative of lateral shift of said old line pattern as sensed with said lateral shift control signal being adapted to control lateral movement of line marking material applicator means to correctly deposit said line marking material over lines forming said old line pattern, said first line detection means further recognising transition points in said old line pattern and providing a signal indicative of said transition points to said second line detection means, said second line detection means including transition detector means which receives the signal indicative of transition points from said first line detection means and information from the transverse scan of said second line detection means and in response thereto provides control signal means to control on/off conditions of said line marking material applicator means.

5. Control apparatus according to Claim 3 or Claim 4, wherein said first predetermined length of scanned pavement surface is substantially greater than said second predetermined length.
6. Control apparatus according to Claim 5, wherein said first predetermined length is about five metres.
7. Control apparatus according to Claim 5 or Claim 6, wherein said first and said second predetermined widths are between 400 mm and 1200 mm.

Fig 1.



SUBSTITUTE SHEET

Fig 2.

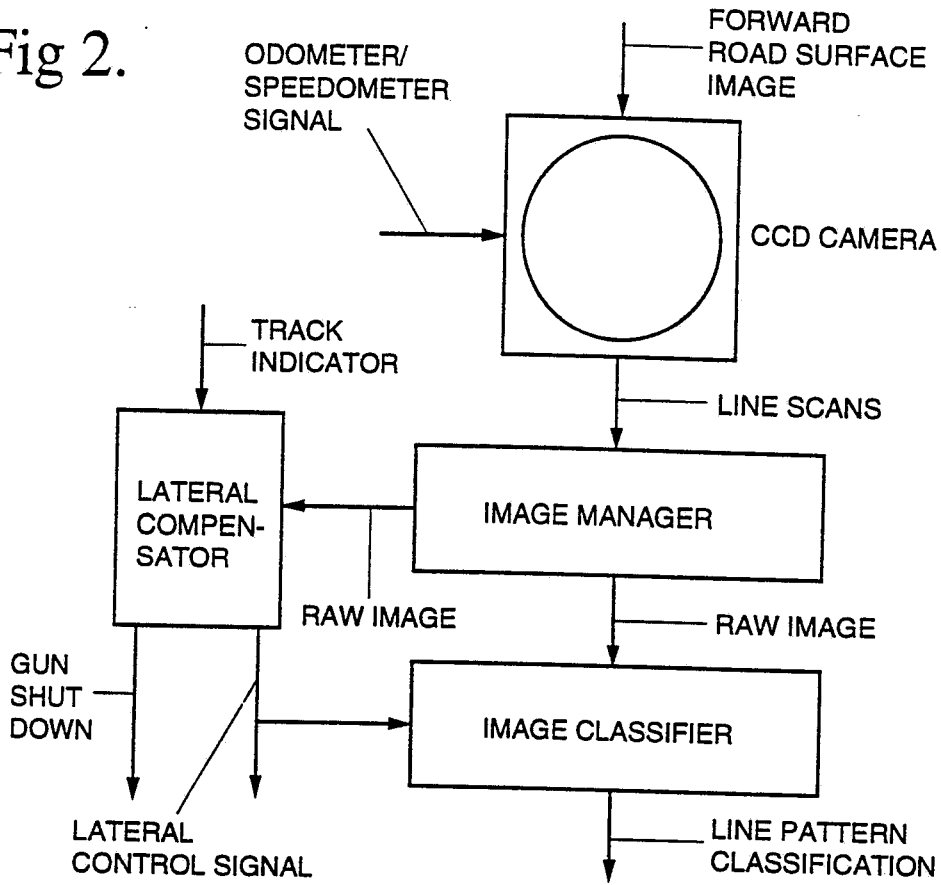


Fig 3.

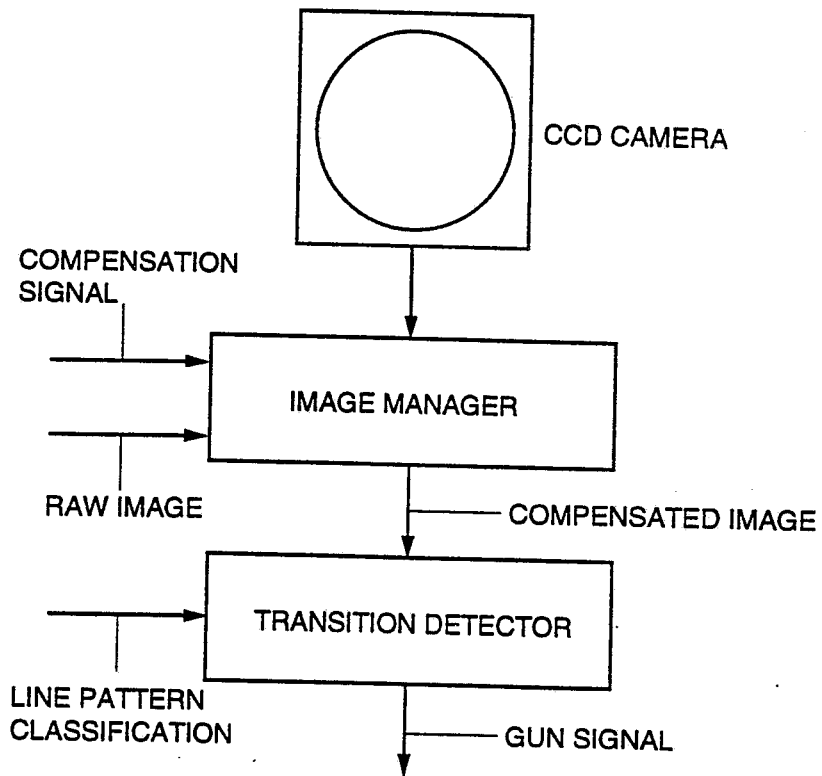
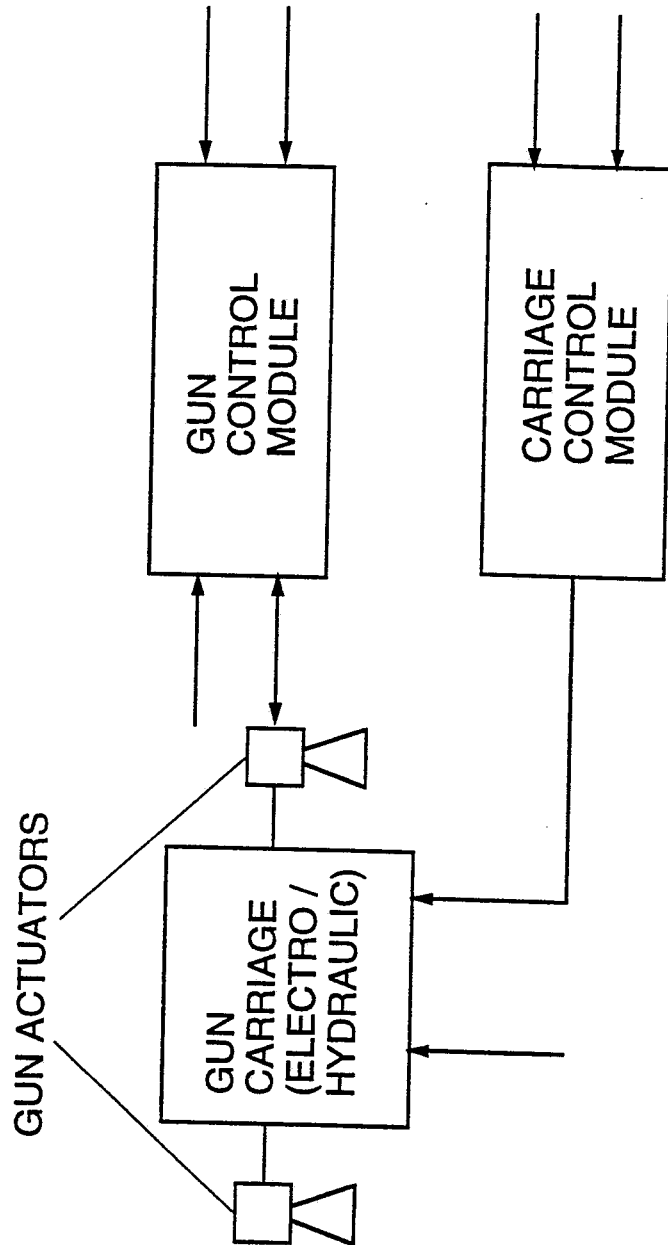


Fig 4.



A. CLASSIFICATION OF SUBJECT MATTER				
Int. Cl. ⁵ E01C 23/16				
According to International Patent Classification (IPC) or to both national classification and IPC				
B. FIELDS SEARCHED				
Minimum documentation searched (classification system followed by classification symbols) IPC E01C 23/16				
Documentation searched other than minimum documentation to the extent that such documents are included in the fields searched AU : IPC as above				
Electronic data base consulted during the international search (name of data base, and where practicable, search terms used)				
C. DOCUMENTS CONSIDERED TO BE RELEVANT				
Category *	Citation of document, with indication, where appropriate, of the relevant passages	Relevant to Claim No.		
A	DE,A, 1658432 (BOLLAG) 18 November 1971 (18.11.71) (and Derwent abstract, PAN: 76-G7956E)	1-4		
A	DE,A, 3108975 (HOFMANN) 23 September 1982 (23.09.82) (and Derwent abstract, PAN: 82-M6841E) See figure 1	1-4		
A	US,A, 3298352 (VRABLIK) 17 January 1967 (17.01.67) See figure 3	1-4		
<input checked="" type="checkbox"/> Further documents are listed in the continuation of Box C. <input checked="" type="checkbox"/> See patent family annex.				
* Special categories of cited documents : <table border="0" style="width: 100%;"> <tr> <td style="width: 50%; vertical-align: top;"> "A" document defining the general state of the art which is not considered to be of particular relevance "E" earlier document but published on or after the international filing date "L" document which may throw doubts on priority claim(s) or which is cited to establish the publication date of another citation or other special reason (as specified) "O" document referring to an oral disclosure, use, exhibition or other means "P" document published prior to the international filing date but later than the priority date claimed </td> <td style="width: 50%; vertical-align: top;"> "T" later document published after the international filing date or priority date and not in conflict with the application but cited to understand the principle or theory underlying the invention "X" document of particular relevance; the claimed invention cannot be considered novel or cannot be considered to involve an inventive step when the document is taken alone "Y" document of particular relevance; the claimed invention cannot be considered to involve an inventive step when the document is combined with one or more other such documents, such combination being obvious to a person skilled in the art "&" document member of the same patent family </td> </tr> </table>			"A" document defining the general state of the art which is not considered to be of particular relevance "E" earlier document but published on or after the international filing date "L" document which may throw doubts on priority claim(s) or which is cited to establish the publication date of another citation or other special reason (as specified) "O" document referring to an oral disclosure, use, exhibition or other means "P" document published prior to the international filing date but later than the priority date claimed	"T" later document published after the international filing date or priority date and not in conflict with the application but cited to understand the principle or theory underlying the invention "X" document of particular relevance; the claimed invention cannot be considered novel or cannot be considered to involve an inventive step when the document is taken alone "Y" document of particular relevance; the claimed invention cannot be considered to involve an inventive step when the document is combined with one or more other such documents, such combination being obvious to a person skilled in the art "&" document member of the same patent family
"A" document defining the general state of the art which is not considered to be of particular relevance "E" earlier document but published on or after the international filing date "L" document which may throw doubts on priority claim(s) or which is cited to establish the publication date of another citation or other special reason (as specified) "O" document referring to an oral disclosure, use, exhibition or other means "P" document published prior to the international filing date but later than the priority date claimed	"T" later document published after the international filing date or priority date and not in conflict with the application but cited to understand the principle or theory underlying the invention "X" document of particular relevance; the claimed invention cannot be considered novel or cannot be considered to involve an inventive step when the document is taken alone "Y" document of particular relevance; the claimed invention cannot be considered to involve an inventive step when the document is combined with one or more other such documents, such combination being obvious to a person skilled in the art "&" document member of the same patent family			
Date of the actual completion of the international search 18 May 1993 (18.05.93)		Date of mailing of the international search report 19 MAY 1993 (19 MAY 1993)		
Name and mailing address of the ISA/AU AUSTRALIAN PATENT OFFICE PO BOX 200 WODEN ACT 2606 AUSTRALIA Facsimile No. 06 2853929		Authorized officer DAVID LEE <i>DLee</i> Telephone No. (06) 2832107		

C(Continuation). DOCUMENTS CONSIDERED TO BE RELEVANT		
Category *	Citation of document, with indication, where appropriate of the relevant passages	Relevant to Claim No.
A	AU,B, 22538/77 (501235) (RICHTER) 31 August 1978 (31.08.78) See figures 2-4	1-4
A,Y	US,A, 5054959 (WILSON et al) 8 October 1991 (08.10.91)	1
Y	A human operator for US 5054959 ("neural network")	1

This Annex lists the known "A" publication level patent family members relating to the patent documents cited in the above-mentioned international search report. The Australian Patent Office is in no way liable for these particulars which are merely given for the purpose of information.

Patent Document Cited in Search Report		Patent Family Member			
DE	1658432				
DE	3108975	CH	655180	FR	2501854
				SE	8201031
US	3298352				
AU	22538/77	AT	1248/77	BE	851894
		CH	617520	DE	2708686
		IT	1195972	JP	52119791
				CA	1104239
				GB	1571431
				US	4219092
US	5054959	AU	22666/83	CA	1219484
		NZ	206430	WO	8402150
				EP	129551
END OF ANNEX					