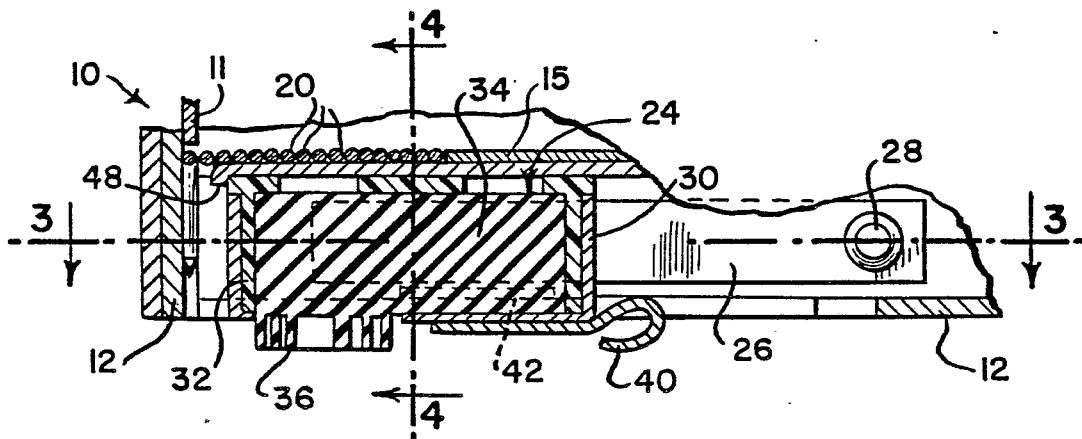


<p>(51) International Patent Classification: B25C 5/02, 7/00</p>	<p>A1</p>	<p>(11) International Publication Number: WO 79/00720 (43) International Publication Date: 4 October 1979 (04.10.79)</p>
<p>(21) International Application Number: PCT/US79/00136 (22) International Filing Date: 6 March 1979 (06.03.79) (31) Priority Application Number: 883,864 (32) Priority Date: 6 March 1978 (06.03.78) (33) Priority Country: US (71) Applicant: SWINGLINE, INC.; 32-00 Skillman Avenue, Long Island City, NY 11101, United States of America. (72) Inventors: RAASCH, Ernest Martin; Alpine, NJ, United States of America. OLNEY, Nathaniel Mark; 350 Cabrini Boulevard, New York, NY 10040, United States of America.</p>	<p>(74) Agents: WEILD, David, III; TAYLOR, Jr., Willis H.; LAIST, James W.; LAWRENCE, Jr., Stanton T.; Scheck, Frank F.; MISROCK, S. Leslie; METZGER, Clyde C.; TRAVER, Harold A.; McKAY, Robert; MULLENGER, Keith E.; McKENNEY, Charles E.; JONES, III, Harry C.; TERZIAN, Berj, A.; FLINTOFT, Gerald J.; SHANNON, Philip T.; BRESNICK, Sidney R.; REIN, Barry D.; MARSHALL, Jonathan A.; KIDD, John E.; LAWRENCE, III, Stanton T.; MORRIS, Francis E.; MARPLE, Jr., Walter G.; CATTANZARO, Joseph J.; MILLER, Charles E.; SMITH, Jr., Samuel B.; Pennie &amp; Edmonds, 330 Madison Avenue, New York, NY 10017, United States of America. (81) Designated States: DE, FR (European patent), GB, JP.  Published with: <i>International search report</i></p>	

(54) Title: STAPLING AND MARKING DEVICE



(57) Abstract

A device for simultaneously stapling (52) and marking (54) a workpiece (56) is disclosed which comprises a main body housing (12) for holding driving staples (20) into a workpiece (56) as well as supporting a removable marking unit (24) positioned in the housing (12) in such a manner as to apply an identifying mark (54) to the workpiece (56) when the workpiece (56) is stapled (52).

*FOR THE PURPOSES OF INFORMATION ONLY*

Codes used to identify States party to the PCT on the front pages of pamphlets publishing international applications under the PCT

AT	Austria	LU	Luxembourg
BR	Brazil	MC	Monaco
CF	Central African Empire	MG	Madagascar
CG	Congo	MW	Malawi
CH	Switzerland	NL	Netherlands
CM	Cameroon	RO	Roumania
DE	Germany, Federal Republic of	SE	Sweden
DK	Denmark	SN	Senegal
FR	France	SU	Soviet Union
GA	Gabon	TD	Chad
GB	United Kingdom	TG	Togo
JP	Japan	US	United States of America

- 1 -

Description

1

STAPLING AND MARKING DEVICEBackground of the Invention

With the increasing complexity in the operations of  
5 various commercial enterprises, there has been a growing need  
to monitor and identify various everyday record keeping and  
information handling activities. The inventive device is of  
significant value insofar as it permits the identification of  
papers by marking them without resort to a separate identifi-  
10 cation operation. Specifically, the inventive device allows  
the simultaneous application to a document of both a staple  
and an identification mark.

Summary of the Invention

In accordance with the present invention, a stapling  
15 device is provided with a self-inking stamp, such as a micro-  
porous encapsulated stamp, positioned in the housing cavity  
formed by the rail which supports the staple strip. During  
the stapling operation, as the staple advances through the  
papers or other materials to be stapled, the top page or other  
20 material is marked with an appropriate legend by the stamp.  
The legend is useful in identifying the paper, the individual  
who stapled it, the department where the stapling was done,  
the day of the week, and so forth.

Brief Description of the Drawings

25 Figure 1 is a side elevation view of the stapling  
device constructed in accordance with the present invention;

Figure 2 is an enlarged cross-sectional view of the  
head of the device;

30 Figure 3 is a cross-sectional view along line 3-3  
of Figure 2;

Figure 4 is a cross-sectional view along line 4-4  
of Figure 2;

35 Figure 5 is a perspective view of the underside of  
the head of the staple housing showing insertion of the self-  
inking stamp;

Figure 6 shows a stack of papers after they have  
been stamped and stapled by the inventive device; and



- 2 -

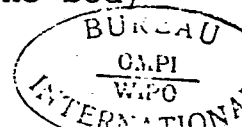
1           Figure 7 is a side elevation view of an alternative embodiment of the present invention.

Detailed Description of the Preferred Embodiments

          Referring to Figures 1-4, a stapler 10 constructed  
5 in accordance with the present invention is illustrated. The stapler comprises a housing 12, a cover 14 and an operating handle 16. Stapling and stamping is done against an anvil 18. Staples 20 are held in housing 12 between the inside wall of the housing and the outside wall of a staple supporting guide  
10 22. The staples are urged by a conventional follower block 15 toward the front of the stapler and driven by a driver blade 11 along a channel 13 into the workpiece in a conventional manner. Operation of the stapler thus results in advancing housing 12 toward anvil 18 and driving staples into  
15 the workpiece.

          Seated within the staple supporting guide 22 is a self-inking stamping element 24 of the microporous encapsulated type which is held in position by a pair of spring members 26. Spring members 26 are secured to staple supporting  
20 ing guide 22 by rivets 28. The self-inking stamping unit 24 comprises an external metal body 30 within which is supported a plastic casing 32. Metal body 30 serves the purpose of providing a rigid case which can be supported by spring members 26. The small size of spring members 26 allows the  
25 placement of unit 24 between the legs of the staples. A rubber stamp 34 made of a microporous plastic or rubber material is disposed within plastic casing 32. Rubber stamp 34 includes a stamping surface 36 which is shaped to form the appropriate legend.

30           Insofar as it may be desirable to change the legend which is stamped by the inventive device, the rubber stamp unit 24 may be removed. Referring to Figure 5, the unit 24 is first slid to the rear of the device in the direction indicated by arrow 38. This operation is facilitated by handle  
35 40 secured to unit 24. When the unit reaches its most rearward position, locking tabs 42 are then in alignment with mating slots 44. Unit 24 may then be removed from the body



1 in the direction indicated by arrow 46. A new stamping unit  
may then be placed in the inventive device by simply rever-  
singing this process. It is noted that the forward action of  
the unit in the direction opposite that indicated by arrow 38  
5 is limited by a forward stud 48 extending from staple sup-  
porting guide 22.

Dimensionally, the distance between the bottom  
surface 43 of the locking tabs 42 and the top surface 31 of  
the casing 32 is substantially equal to the distance between  
10 the bottom surface 21 of the staple supporting guide 22 and  
the inside surface 23 of the guide 22, thus securing the  
stamping unit 24 in place.

As illustrated in Figure 6, operation of the inven-  
tive device results in the application of both a staple 52  
15 and a marking legend 54 to the workpiece 56. The use of the  
device is particularly advantageous insofar as the stamping  
of the workpiece and driving of the staple is done in one  
operation. The inventive stamping and stapling device may  
take other forms such as the form of the desk stapling and  
20 stamping device 10' illustrated in Figure 7. This device is  
essentially identical in its operation to the stapler device  
illustrated in Figures 1-6. The device 10' comprises a  
housing 12' and a cover 14'. Stapling and stamping by sur-  
face 36' are performed against an anvil 18'.

25 In the operation of the present invention, the  
marking in stamping surface 36 is supplied with sufficient  
ink between staplings and markings through ink migration to  
the surface. Thus, each time the device is actuated a staple  
is driven through the workpiece and a mark made thereon.

30 While the preferred embodiment of the invention has  
been disclosed, it is, of course, understood that various  
modifications in the size and configuration of the parts will  
be obvious to those of ordinary skill in the art and these  
modifications are within the spirit and scope of the inven-  
35 tion which is limited only by the appended claims.



1 CLAIMS

1. A stapling and marking device, comprising:
- (a) anvil means;
  - (b) a housing having a front portion disposed  
5 over said anvil means;
  - (c) staple supporting means disposed in said housing for supporting a plurality of staples;
  - (d) means for urging said staples toward the  
10 front of said housing;
  - (e) means for driving said staples into a workpiece;
  - (f) marking means for marking a workpiece during stapling of the same; and
  - (g) means for supporting said marking means  
15 within said housing underneath and within said staple supporting means.
2. A stapling and marking device as in Claim 1, wherein said housing includes an opening for receiving said  
20 marking means and said means for supporting said marking means within said housing comprises a pair of spring members.
3. A stapling and marking device as in Claim 2, wherein said opening includes a pair of slots and said marking  
25 means comprises a marker holder with a pair of locking tabs which mate with said slots during insertion of said marking means into said housing.
4. A stapling and marking device as in Claim 3, wherein the distance between the bottom surface of said locking  
30 tabs and the top surface of said marker holder substantially equals the distance between the bottom surface of said staple supporting means and the inside surface of the top of said staple supporting means, whereby the locking tabs and top surface of said marking means is securely held between said housing and said staple supporting means.
- 35 5. A stapling and marking device as in Claim 4, further comprising handle means secured to said marker holder.

1           6. A stapling and marking device as in Claim 4,  
further comprising stud means for limiting forward motion of  
said marking means.

5           7. A stapling and marking device as in Claim 4,  
wherein said marking means comprises a self-inking marking  
element and said marking means is disposed in said housing  
inside said staple supporting means.

10

15

20

25

30

35



FIG. 1

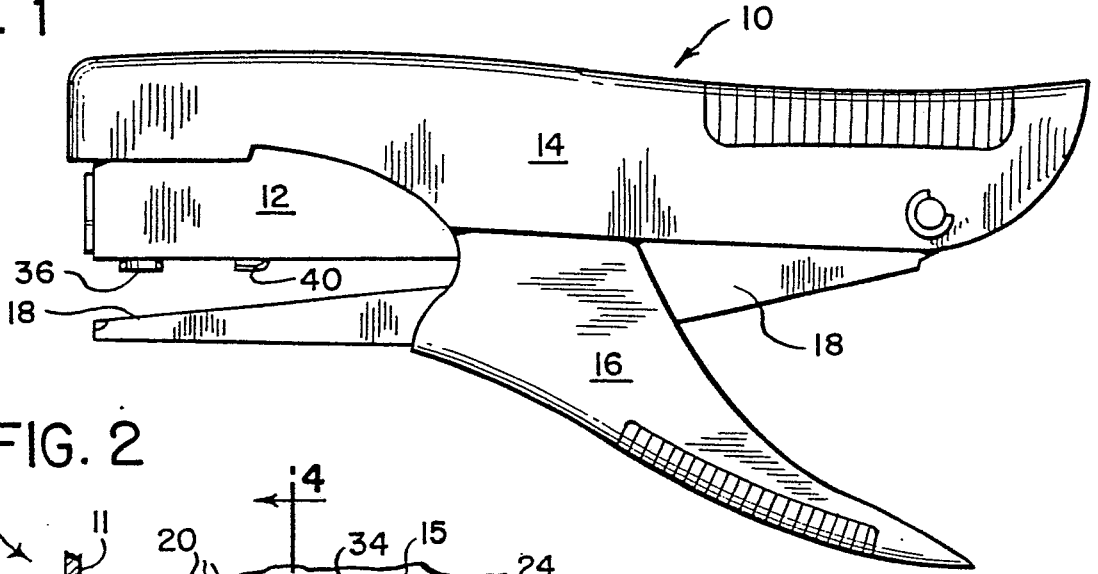


FIG. 2

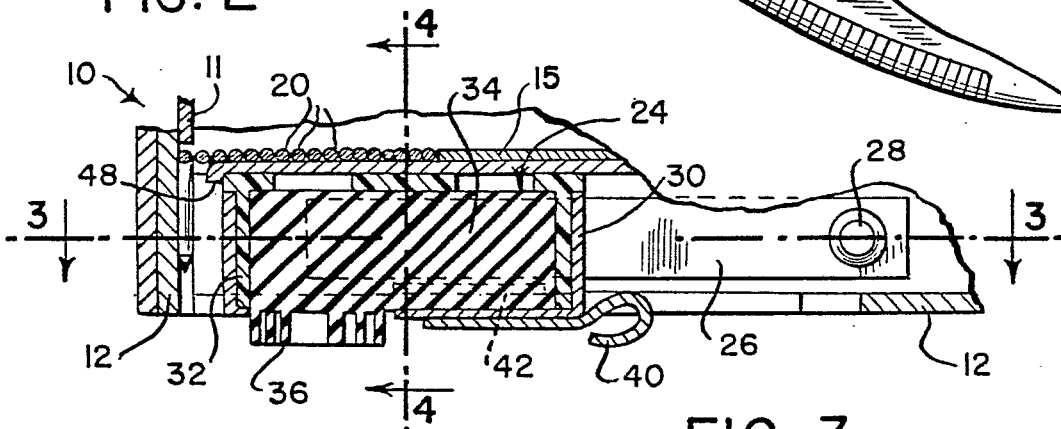


FIG. 3

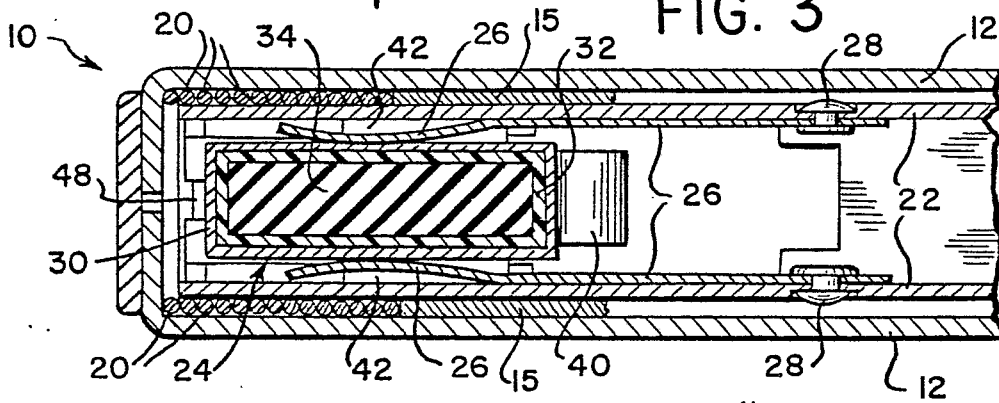
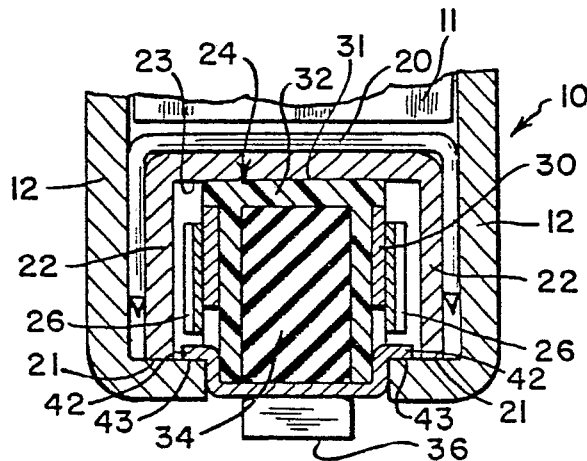


FIG. 4





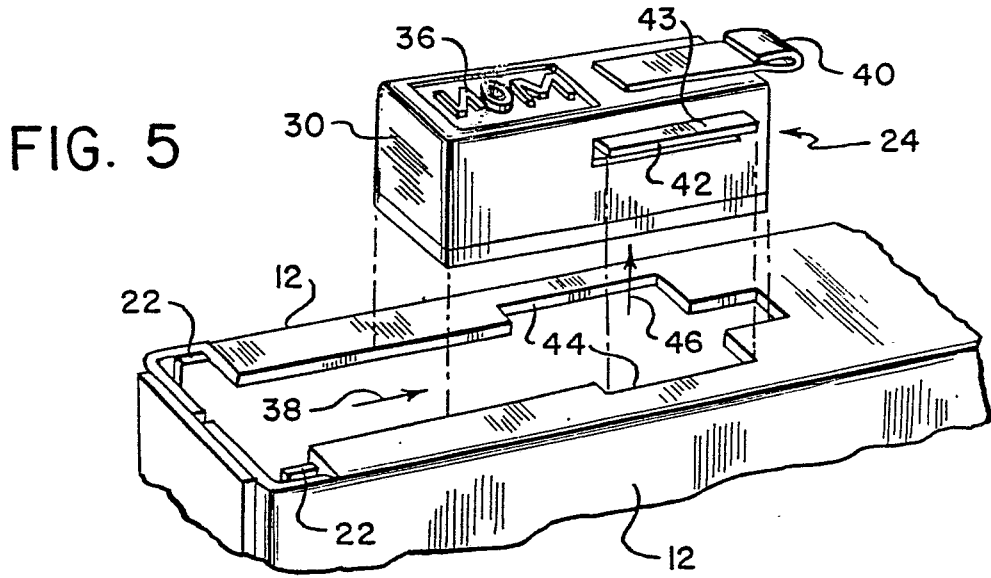


FIG. 6

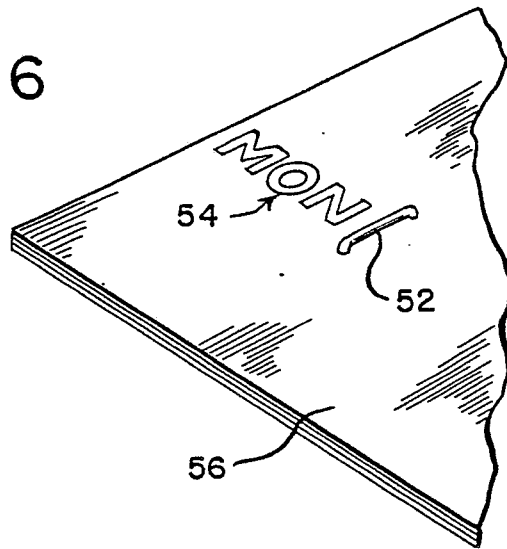
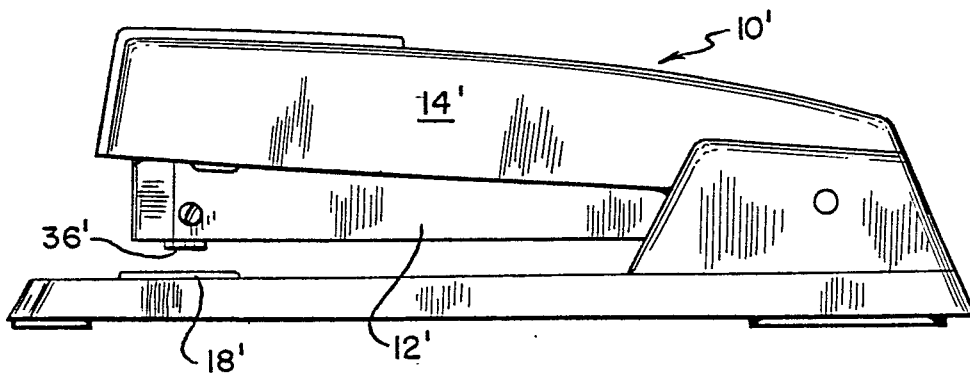


FIG. 7



# INTERNATIONAL SEARCH REPORT

International Application No **PCT/US79/0328**

<b>I. CLASSIFICATION OF SUBJECT MATTER</b> (if several classification symbols apply, indicate all) <sup>3</sup>				
According to International Patent Classification (IPC) or to both National Classification and IPC				
INT. CL. B01C 7/00; B01C 7/02 U.S. CL. 207/150		2/00720		
<b>II. FIELDS SEARCHED</b>				
Minimum Documentation Searched <sup>4</sup>				
Classification System	Classification Symbols			
U.S.	207/150, 256			
Documentation Searched other than Minimum Documentation to the Extent that such Documents are Included in the Fields Searched <sup>5</sup>				
<b>III. DOCUMENTS CONSIDERED TO BE RELEVANT</b> <sup>14</sup>				
Category *	Citation of Document, <sup>16</sup> with indication, where appropriate, of the relevant passages <sup>17</sup>	Relevant to Claim No. <sup>18</sup>		
X	U.S., 4,210,600 PUBLISHED 23 NOVEMBER 1969 HOFFMAN	1-7		
X	U.S., 3,826,700 PUBLISHED 22 AUGUST 1961 MACKRECHNIE	1-7		
X	U.S., 3,710,740 PUBLISHED 06 SEPTEMBER 1957 SUTTON	1-7		
X	U.S., 4,359,443 PUBLISHED 11 NOVEMBER 1980 JCFP	1-7		
<p>* Special categories of cited documents: <sup>15</sup></p> <table style="width: 100%; border: none;"> <tr> <td style="width: 50%; border: none;">                     "A" document defining the general state of the art                      "E" earlier document but published on or after the international filing date                      "L" document cited for special reason other than those referred to in the other categories                      "O" document referring to an oral disclosure, use, exhibition or other means                 </td> <td style="width: 50%; border: none;">                     "P" document published prior to the international filing date but on or after the priority date claimed                      "T" later document published on or after the international filing date or priority date and not in conflict with the application, but cited to understand the principle or theory underlying the invention                      "X" document of particular relevance                 </td> </tr> </table>			"A" document defining the general state of the art "E" earlier document but published on or after the international filing date "L" document cited for special reason other than those referred to in the other categories "O" document referring to an oral disclosure, use, exhibition or other means	"P" document published prior to the international filing date but on or after the priority date claimed "T" later document published on or after the international filing date or priority date and not in conflict with the application, but cited to understand the principle or theory underlying the invention "X" document of particular relevance
"A" document defining the general state of the art "E" earlier document but published on or after the international filing date "L" document cited for special reason other than those referred to in the other categories "O" document referring to an oral disclosure, use, exhibition or other means	"P" document published prior to the international filing date but on or after the priority date claimed "T" later document published on or after the international filing date or priority date and not in conflict with the application, but cited to understand the principle or theory underlying the invention "X" document of particular relevance			
<b>IV. CERTIFICATION</b>				
Date of the Actual Completion of the International Search <sup>2</sup>	Date of Mailing of this International Search Report <sup>2</sup>			
09 APRIL 1979	10 MAY 1979			
International Searching Authority <sup>1</sup>	Signature of Authorized Officer <sup>20</sup>			
ISA/US	JOHN MCNEILDE <i>John McNeilde</i>			