

(19)日本国特許庁 (J P)

(12) 公表特許公報 (A)

(11)特許出願公表番号

特表平10-503139

(43)公表日 平成10年(1998)3月24日

(51)Int.Cl. ⁶	識別記号	庁内整理番号	F I
B 6 0 R 21/00	6 2 0	8817-3D	B 6 0 R 21/00
		9533-3D	19/20
		8817-3D	21/16
	6 9 1	8817-3D	21/34
G 0 1 S 13/93		0362-3H	G 0 8 G 1/16
			C

審査請求 未請求 予備審査請求 有 (全 42 頁) 最終頁に続く

(21)出願番号	特願平8-504817	(71)出願人	デザイン テクノロジイ アンド イノヴェーション リミテッド
(86) (22)出願日	平成7年(1995)7月14日		イギリス国 サセックス ピーエヌ8 6
(85)翻訳文提出日	平成9年(1997)1月16日		イービー、ルイス、ライブ、ライブ レーン、ザ バーン (番地なし)
(86)国際出願番号	PCT/GB95/01670	(72)発明者	トンキン、マーク
(87)国際公開番号	WO96/02853		イギリス国 サセックス ピーエヌ8 6
(87)国際公開日	平成8年(1996)2月1日		イービー、ルイス、ライブ、ライブ レーン、ザ バーン (番地なし)
(31)優先権主張番号	9414393.0	(74)代理人	弁理士 瀧野 秀雄 (外2名)
(32)優先日	1994年7月15日		
(33)優先権主張国	イギリス (GB)		

最終頁に続く

(54)【発明の名称】 車両用安全システム

(57) 【要約】

本システムは対象車両（16）に取付けられた制御装置、および後続車両（18）との車間距離および後続車両の相対速度を検知するセンサ手段（20）で構成する。また、ドップラーレーダシステムを使用して対象車両の対地速度を判断する速度検知手段（97）から引き出される速度信号が制御装置に入力される。制御装置が安全範囲を算出し、後続車両が安全範囲内に進入してきた場合に、対象車両の後部に取付けられた可視的警報装置を起動する。路面の悪条件によって定まる強調された安全範囲も確立でき、この強調された範囲内への進入があると、一般的にはそれ程大きくない喚起力で可視的警報が出されることになる。しかし、後続車両の接近速度が所定限界値を越えた場合に、強調された範囲内への進入があると、十分な喚起力をもってただちに後続車両のドライバーに強い警報が出される結果になる。本システムは路面車両の安全性を改善するために適用できる。

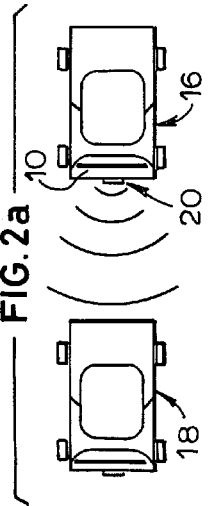


FIG.1

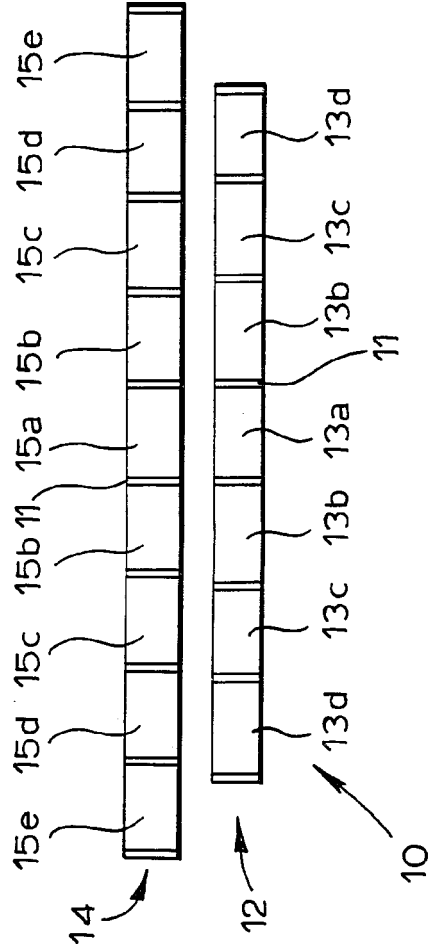


FIG. 2a

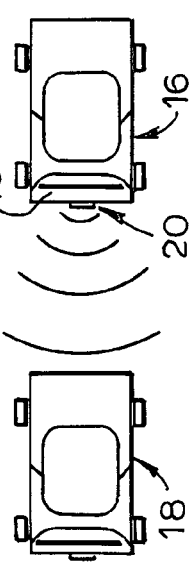


FIG.2b

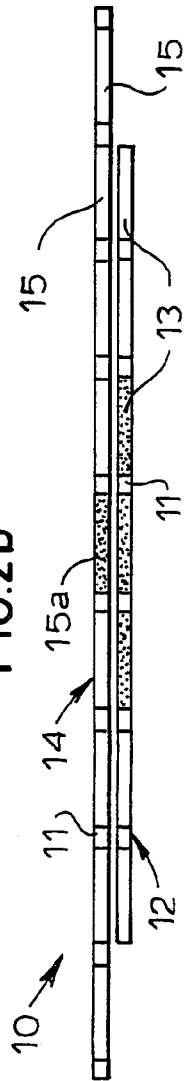
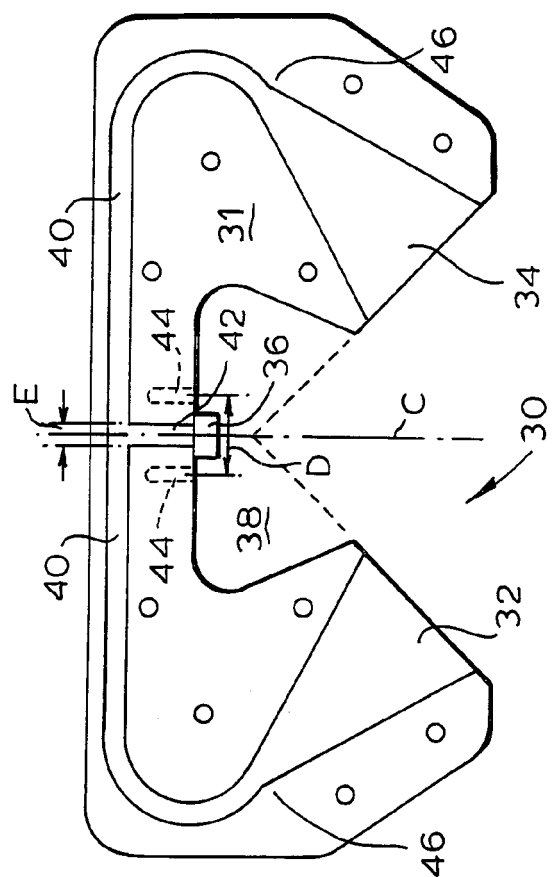


FIG. 3



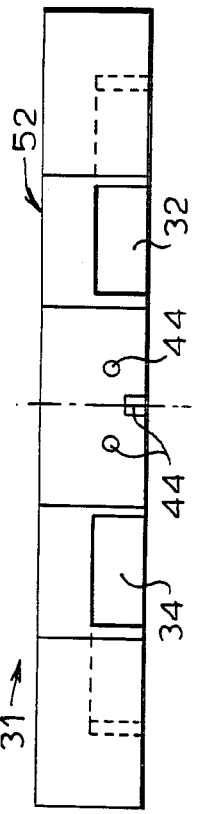


FIG. 4

FIG.5

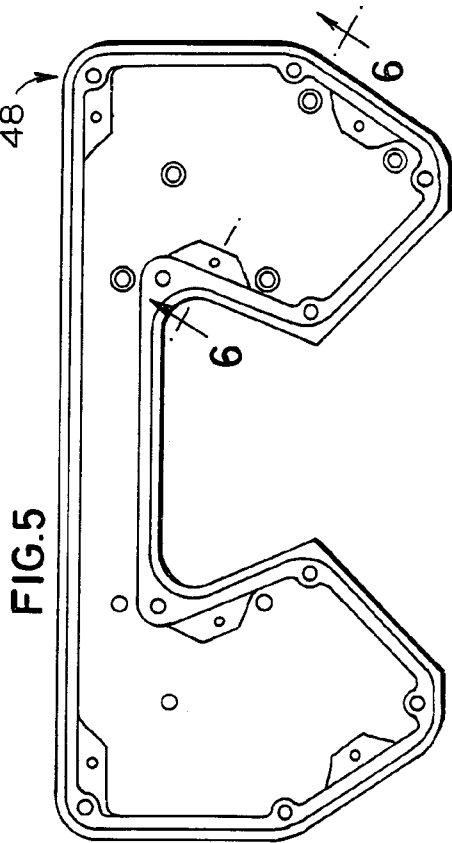


FIG. 6

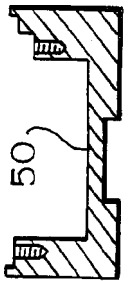


FIG. 7

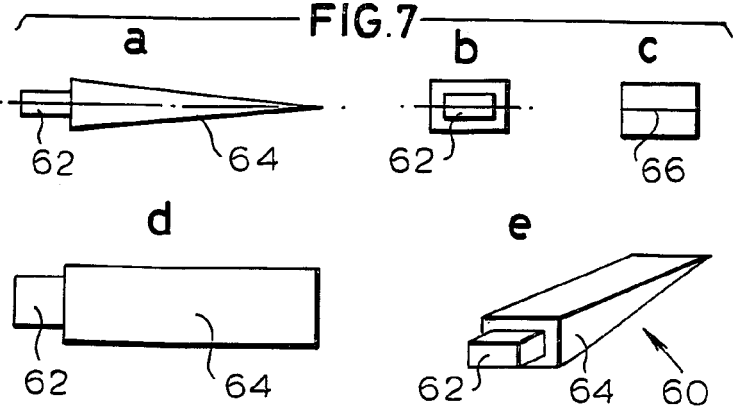


FIG. 8

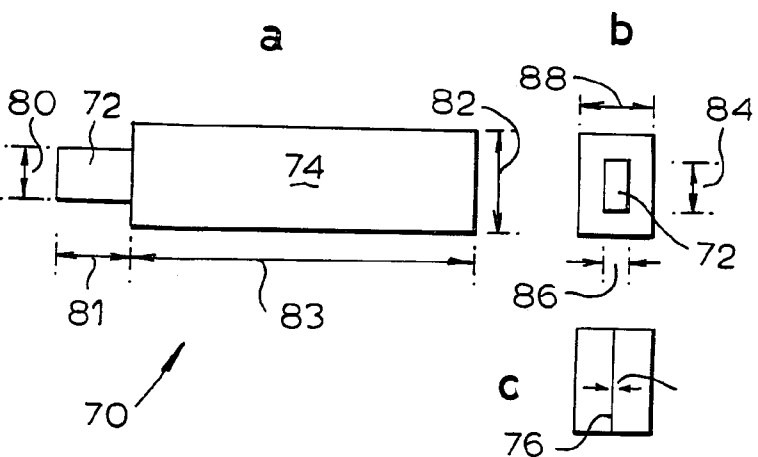
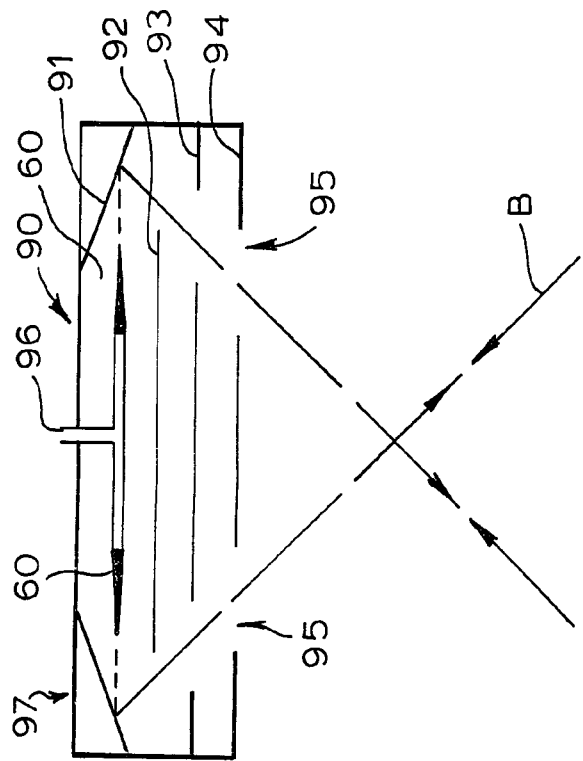


FIG. 9



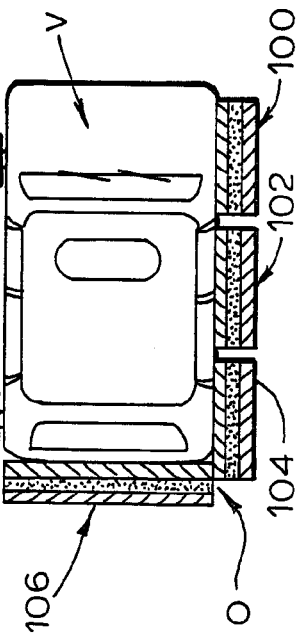
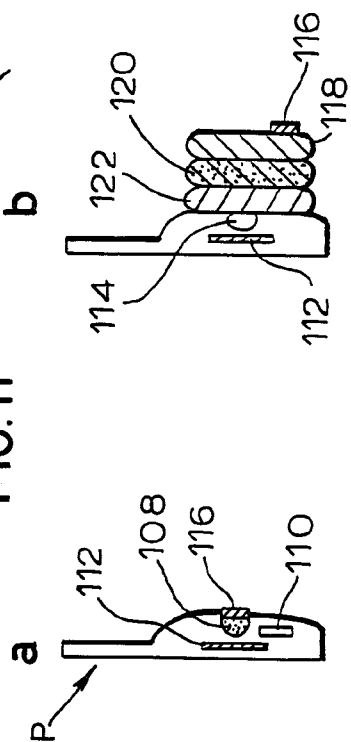


FIG. 10

FIG. 11



INTERNATIONAL SEARCH REPORT

International Application No
PCT/GB 95/01670

A. CLASSIFICATION OF SUBJECT MATTER
IPC 6 G01S13/93

According to International Patent Classification (IPC) or to both national classification and IPC

B. FIELDS SEARCHED
Minimum documentation searched (classification system followed by classification symbols)
IPC 6 G01S B60Q

Documentation searched other than minimum documentation to the extent that such documents are included in the fields searched

Electronic data base consulted during the international search (name of data base and, where practical, search terms used)

C. DOCUMENTS CONSIDERED TO BE RELEVANT

Category *	Citation of document, with indication, where appropriate, of the relevant passages	Relevant to claim No.
X Y	CH,A,661 250 (COPLAX AG) 15 July 1987 see the whole document ---	1,2,12 3-11, 13-15
X Y	WO,A,93 15931 (INTERNATIONAL AUTOMOTIVE DESIGN) 19 August 1993 cited in the application see the whole document ---	16,17 11
Y Y	EP,A,0 549 909 (MITSUBISHI DENKI KABUSHIKI KAISHA) 7 July 1993 see page 3 - page 4 ---	3-8,10
Y	GB,A,2 268 350 (ROKE MANOR RESEARCH LIMITED) 5 January 1994 see abstract ---	9,13
	--- -/--	

Further documents are listed in the continuation of box C. Patent family members are listed in annex.

* Special categories of cited documents:

"A" document defining the general state of the art which is not considered to be of particular relevance
"E" earlier document but published on or after the international filing date
"L" document which may throw doubts on priority claim(s) or which is cited to establish the publication date of another citation or other special reason (as specified)
"O" document referring to an oral disclosure, use, exhibition or other means
"P" document published prior to the international filing date but later than the priority date claimed

"T" later document published after the international filing date or priority date and not in conflict with the application but cited to understand the principle or theory underlying the invention
"X" document of particular relevance; the claimed invention cannot be considered novel or cannot be considered to involve an inventive step when the document is taken alone
"Y" document of particular relevance; the claimed invention cannot be considered to involve an inventive step when the document is combined with one or more other such documents, such combination being obvious to a person skilled in the art
"A" document member of the same patent family

Date of the actual completion of the international search: 27 September 1995
Date of mailing of the international search report: 24. 01. 95

Name and mailing address of the ISA: European Patent Office, P.B. 5818 Patentlaan 2 NL - 2280 HV Rijswijk Tel. (+31-70) 340-2040, Tx. 31 651 epo nl, Fax: (+31-70) 340-3016
Authorized officer: Francesco Zaccà

INTERNATIONAL SEARCH REPORT

International Application No
PCT/GB 95/01670

C. (Continuation) DOCUMENTS CONSIDERED TO BE RELEVANT		
Category *	Citation of document, with indication, where appropriate, of the relevant passages	Relevant to claim No.
Y	US,A,5 119 901 (BUIE) 9 June 1992 see abstract ---	14,15
A	WO,A,91 17068 (DONNACHIE) 14 November 1991 see abstract; figures 1-3 -----	16,17

INTERNATIONAL SEARCH REPORT

International application No.

PCT/GB95/01670

Box I Observations where certain claims were found unsearchable (Continuation of item 1 of first sheet)

This international search report has not been established in respect of certain claims under Article 17(2)(a) for the following reasons:

1. Claims Nos.:
because they relate to subject matter not required to be searched by this Authority, namely:
2. Claims Nos.:
because they relate to parts of the international application that do not comply with the prescribed requirements to such an extent that no meaningful international search can be carried out, specifically:
3. Claims Nos.:
because they are dependent claims and are not drafted in accordance with the second and third sentences of Rule 6.4(a).

Box II Observations where unity of invention is lacking (Continuation of item 2 of first sheet)

This International Searching Authority found multiple inventions in this international application, as follows:

1. claims 1-18: Safety system for vehicles using radar
2. claims 19,20: Safety system for vehicles using ABS
3. claims 21-28: Safety system for vehicles using an impact energy absorbing device

1. As all required additional search fees were timely paid by the applicant, this international search report covers all searchable claims.
2. As all searchable claims could be searched without effort justifying an additional fee, this Authority did not invite payment of any additional fee.
3. As only some of the required additional search fees were timely paid by the applicant, this international search report covers only those claims for which fees were paid, specifically claims Nos.:
4. No required additional search fees were timely paid by the applicant. Consequently, this international search report is restricted to the invention first mentioned in the claims; it is covered by claims Nos.:

1-18

Remark on Protest

- The additional search fees were accompanied by the applicant's protest.
- No protest accompanied the payment of additional search fees.

INTERNATIONAL SEARCH REPORT

information on patent family members

International Application No.

PCT/GB 95/01670

Patent document cited in search report	Publication date	Patent family member(s)	Publication date
CH-A-661250	15-07-87	NONE	
WO-A-9315931	19-08-93	AU-B- 3505893 EP-A- 0680418	03-09-93 08-11-95
EP-A-0549909	07-07-93	JP-A- 5155291 US-A- 5432509	22-06-93 11-07-95
GB-A-2268350	05-01-94	NONE	
US-A-5119901	09-06-92	NONE	
WO-A-9117068	14-11-91	AU-B- 7763691 GB-A, B 2245351	27-11-91 02-01-92