

FIG 1

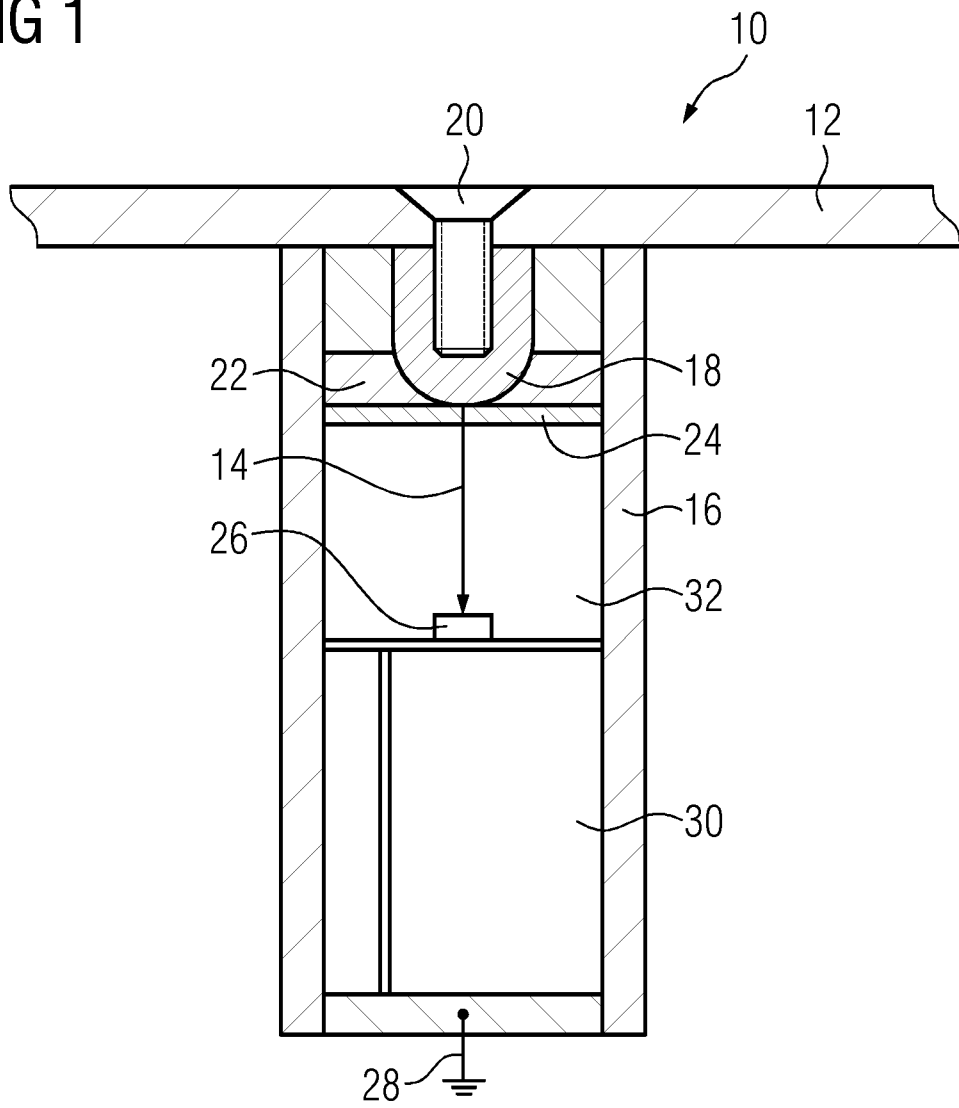


FIG 2

